

US00D966985S

(12) **United States Design Patent** (10) **Patent No.:** **US D966,985 S**
Chartier (45) **Date of Patent:** **** Oct. 18, 2022**

(54) **VEHICLE WHEEL**
(71) Applicant: **Anthem Off-Road, LLC**, Batavia, IL (US)
(72) Inventor: **Jon L. Chartier**, Appleton, WI (US)
(73) Assignee: **Anthem Off-Road, LLC**, Batavia, IL (US)
(**) Term: **15 Years**
(21) Appl. No.: **29/758,471**
(22) Filed: **Nov. 16, 2020**
(51) **LOC (13) Cl.** **12-16**
(52) **U.S. Cl.**
USPC **D12/209**
(58) **Field of Classification Search**
USPC D12/204–213; D21/563
CPC B60B 7/00; B60B 7/01; B60B 7/02; B60B 7/04; B60B 7/06; B60B 3/02; B60B 3/04; B60B 3/06; B60B 3/10; B60B 1/00; B60B 1/08; B60B 1/10; B60B 1/12
See application file for complete search history.

D908,574 S * 1/2021 Mukti D12/209
D924,768 S * 7/2021 Mukti D12/209
D926,658 S * 8/2021 Lickliter D12/211
D928,061 S * 8/2021 Han D12/209

OTHER PUBLICATIONS

Anthem Off-Road Liberty, Published date unavailable [online], [retrieved on Jun. 17, 2022], Retrieved from the Internet: <https://www.anthemwheels.com/buy-wheel-offset/A834202050047D/anthem-off-road-liberty-20x12-44> (Year: 2022).*

* cited by examiner

Primary Examiner — Cary M Robinson
Assistant Examiner — Adam C Mager
(74) *Attorney, Agent, or Firm* — Davis & Kuelthau, s.c.

(57) **CLAIM**

The ornamental design for a vehicle wheel, as shown and described.

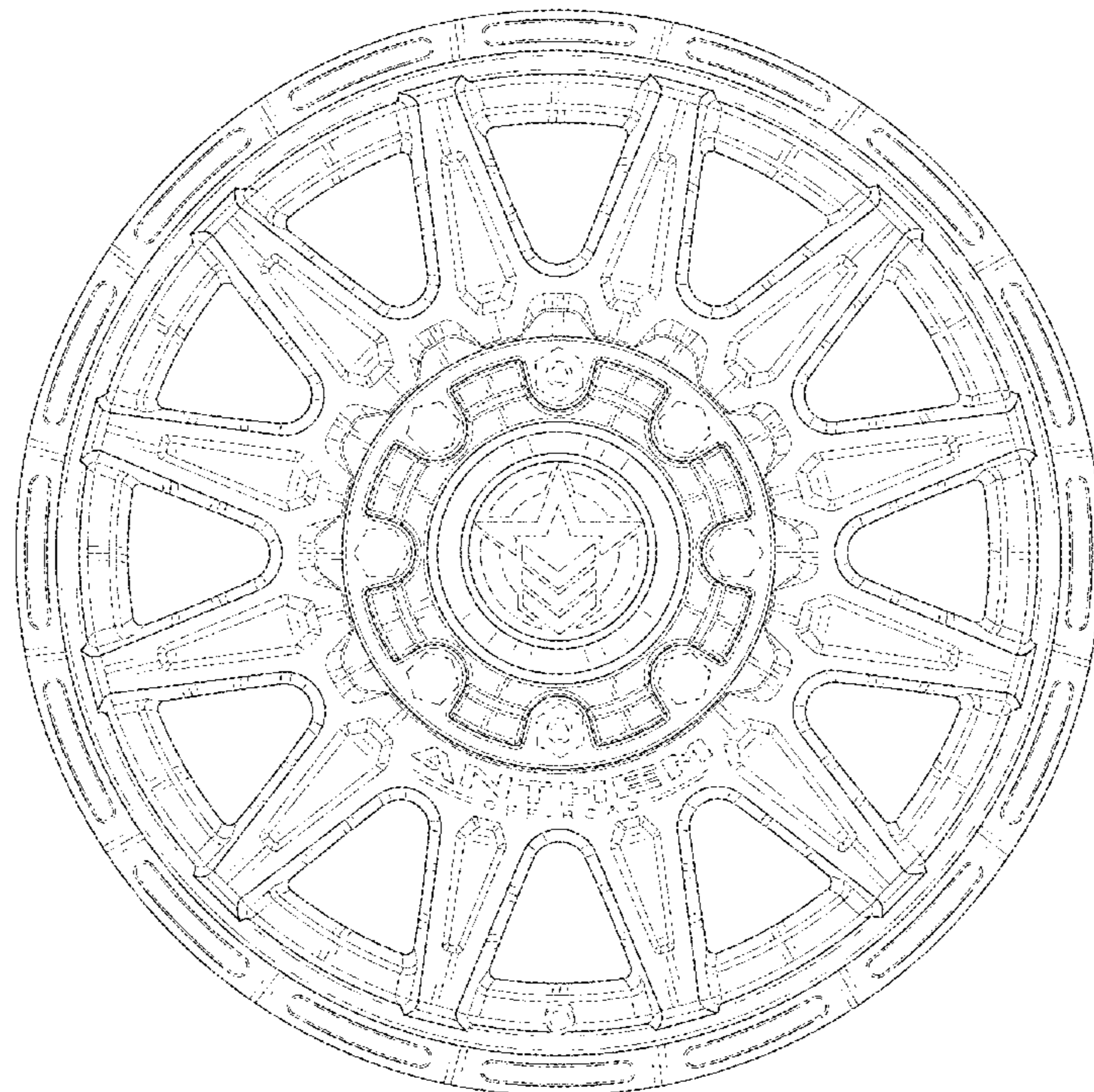
DESCRIPTION

FIG. 1 is a perspective view of a vehicle wheel showing the claimed design;
FIG. 2 is a front view thereof;
FIG. 3 is another perspective view thereof;
FIG. 4 is a perspective view of an alternate embodiment of a vehicle wheel showing the claimed design;
FIG. 5 is a front view thereof; and,
FIG. 6 is another perspective view thereof.
The broken lines in the figures are included for illustrating environmental structure and form no part of the claimed design.

(56) **References Cited**
U.S. PATENT DOCUMENTS

D717,224 S * 11/2014 Kim D12/211
D726,630 S * 4/2015 Kong D12/211
D860,097 S * 9/2019 Milani D12/209
D887,943 S * 6/2020 Han D12/209
D887,944 S * 6/2020 Han D12/209
D898,650 S * 10/2020 Lickliter D12/209
D908,058 S * 1/2021 Mukti D12/209
D908,059 S * 1/2021 Mukti D12/209

1 Claim, 6 Drawing Sheets



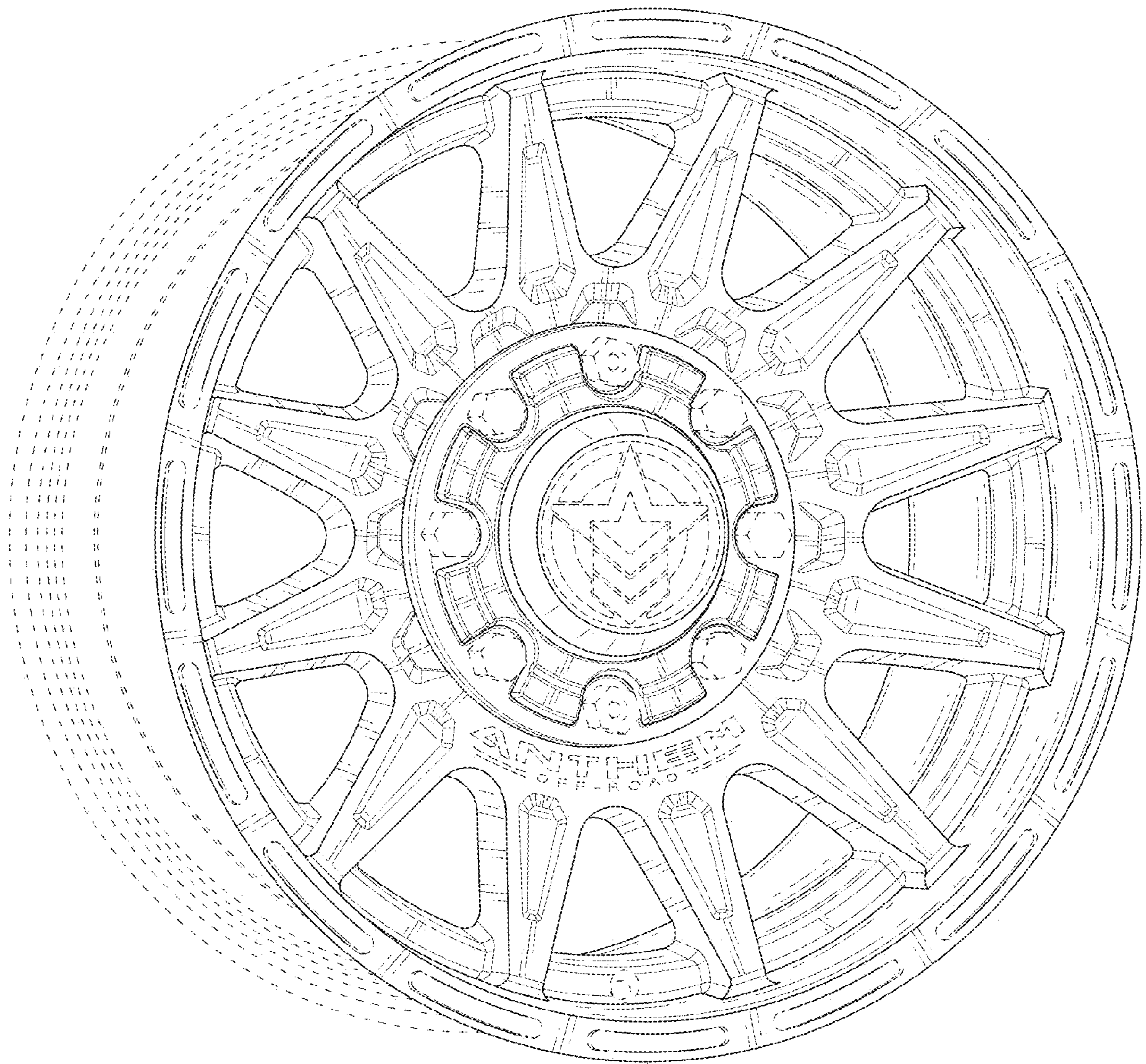


FIG. 1

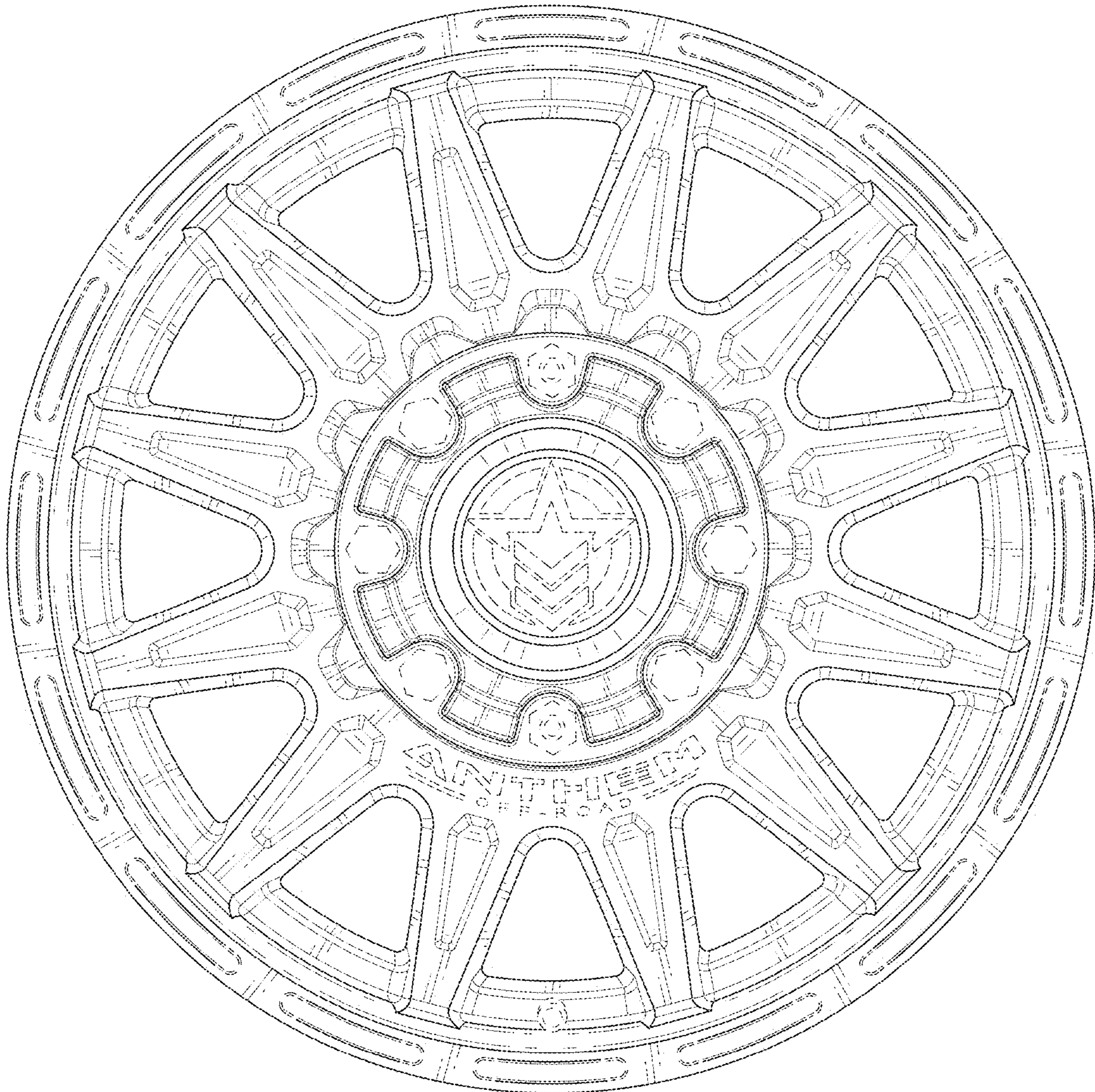


FIG. 2

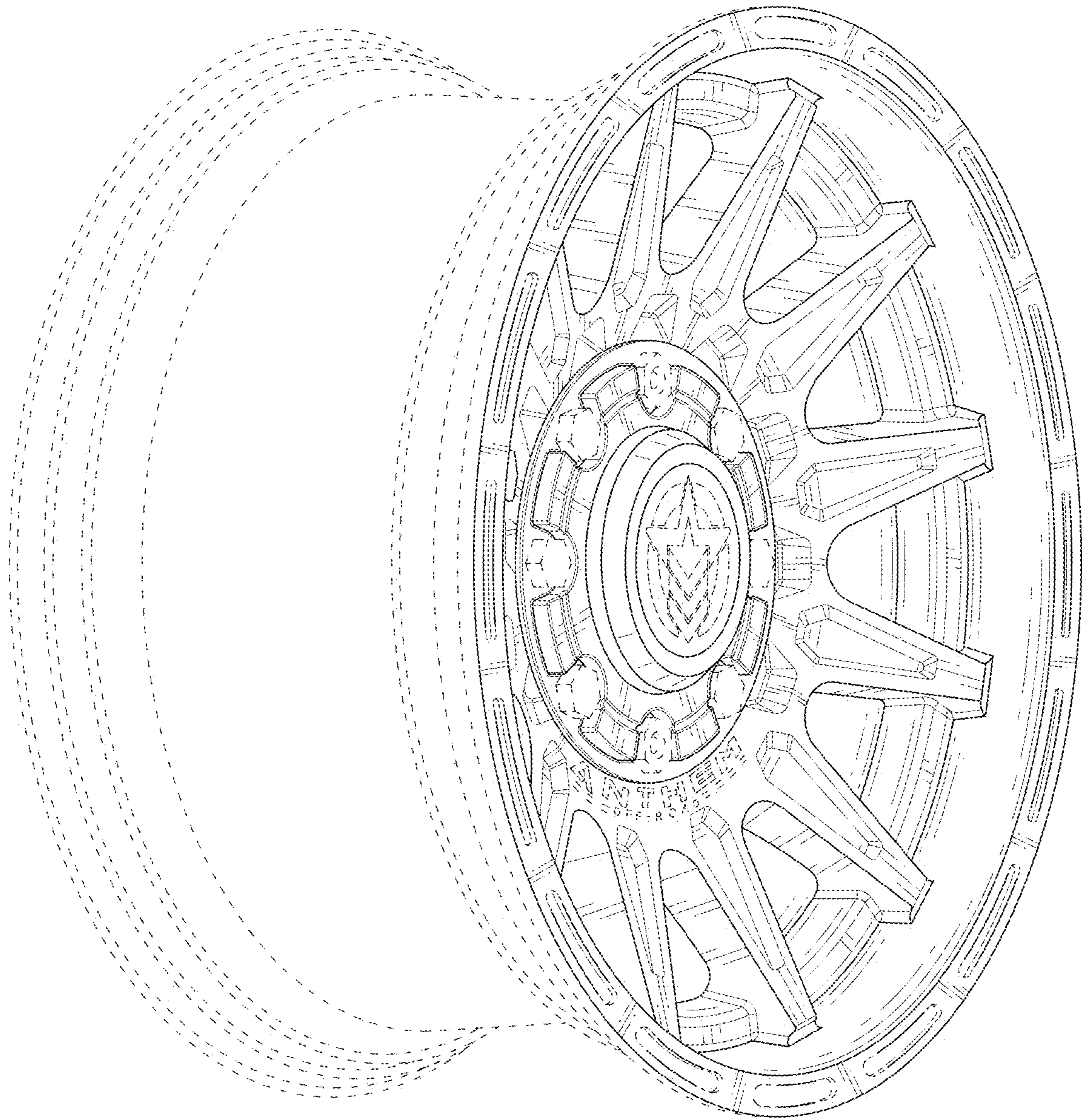


FIG. 3

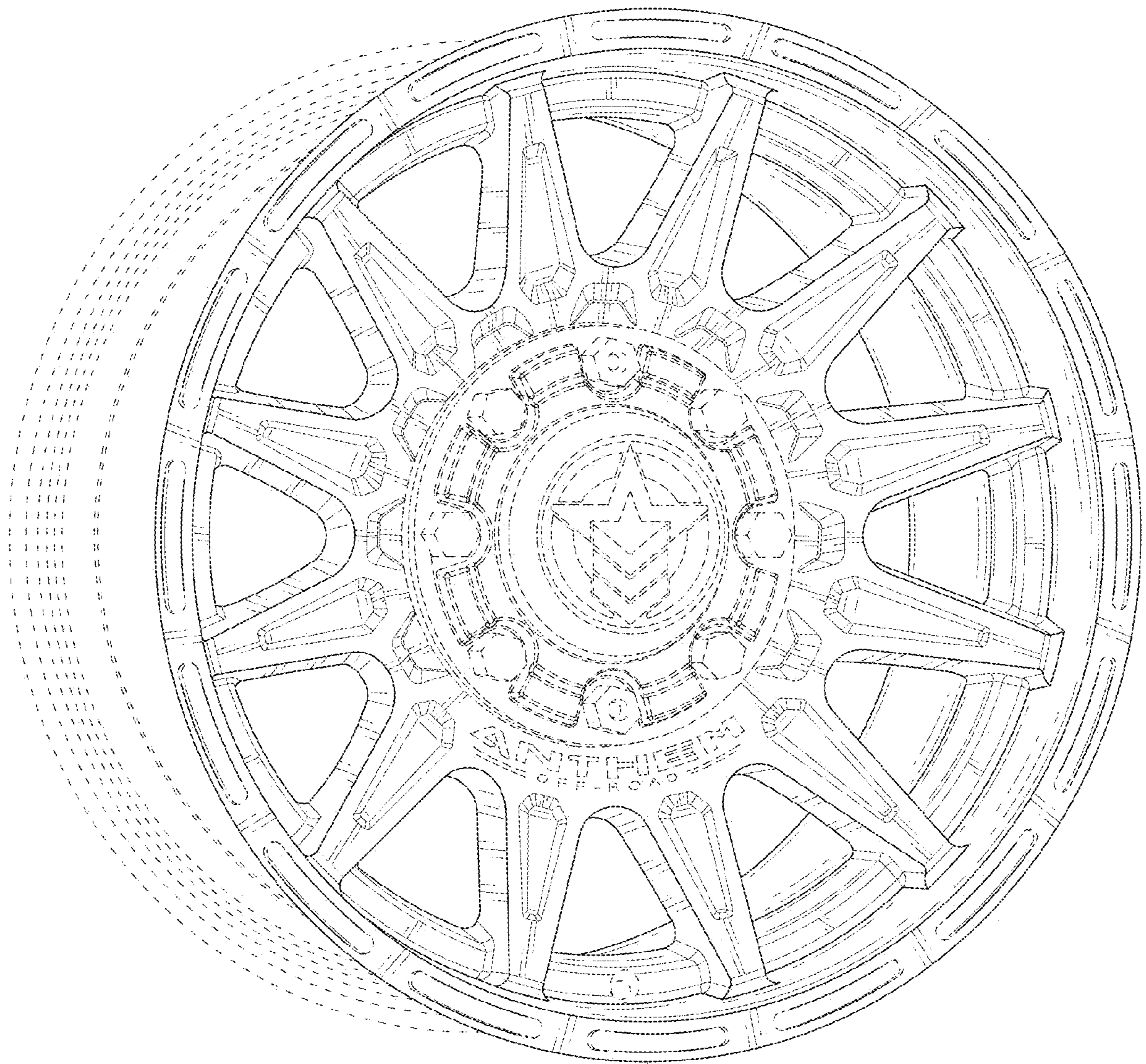


FIG. 4

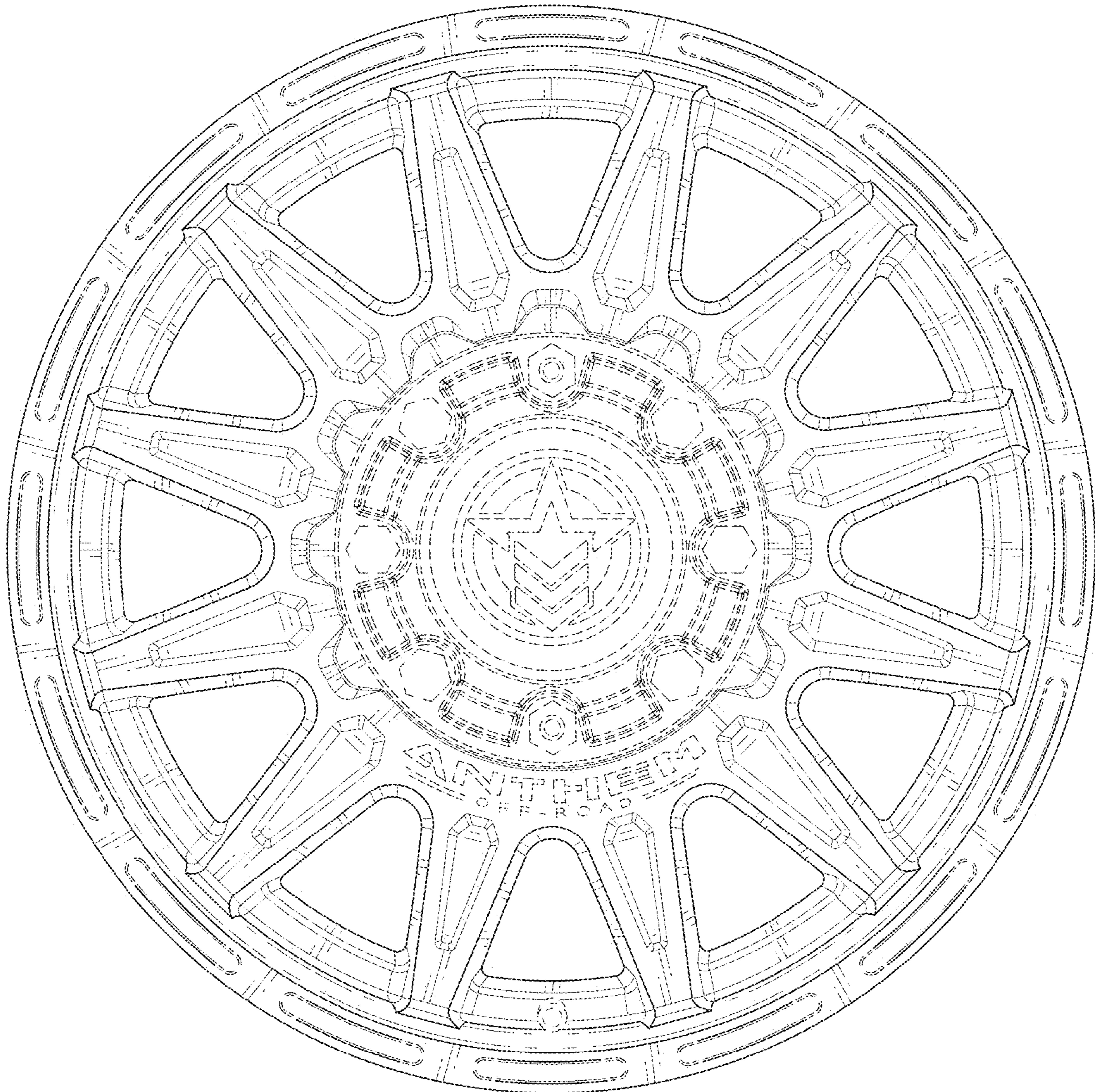


FIG. 5

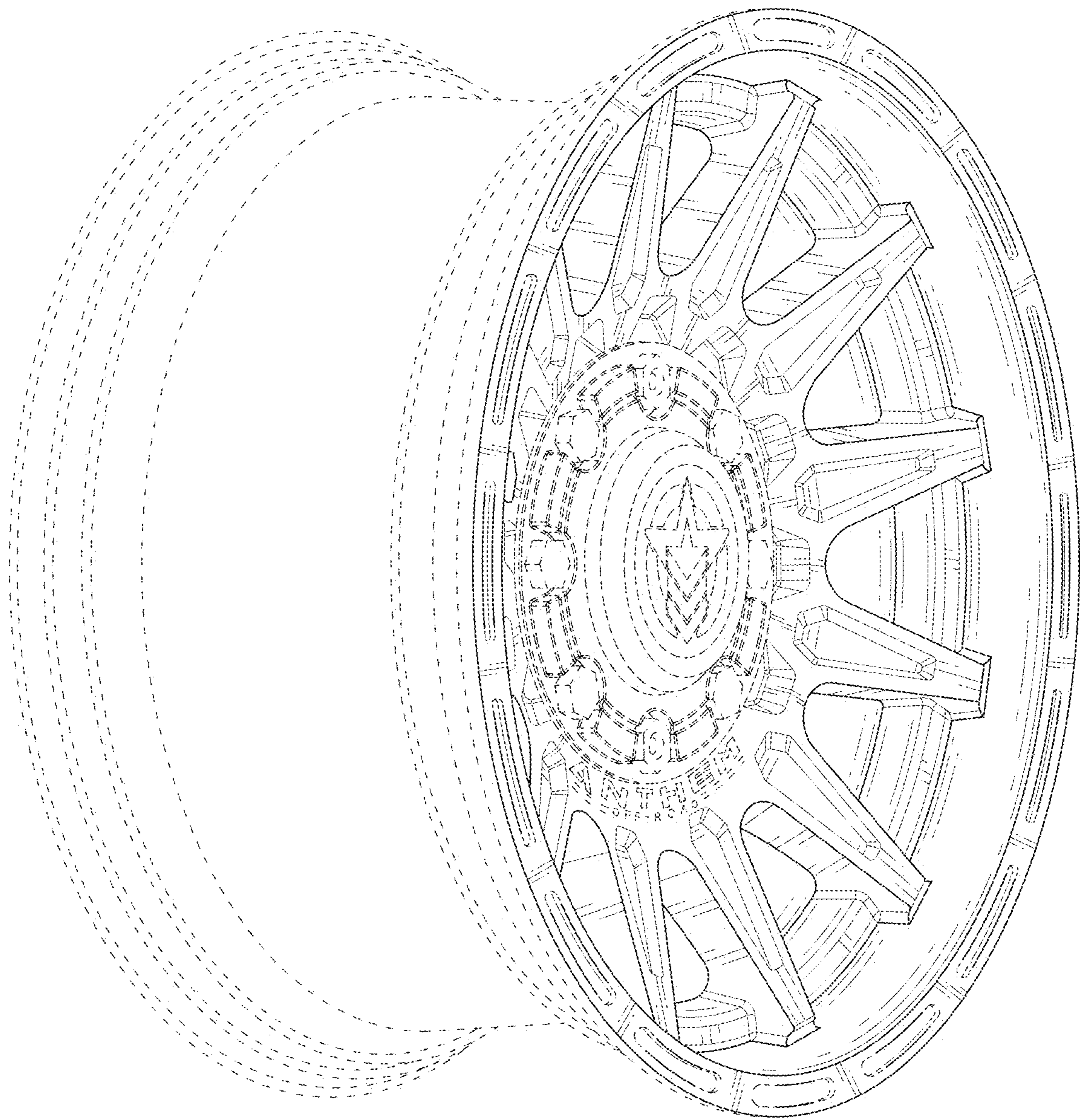


FIG. 6