



US00D966980S

(12) **United States Design Patent** (10) **Patent No.:** **US D966,980 S**  
**Kim et al.** (45) **Date of Patent:** **\*\* Oct. 18, 2022**

(54) **VEHICLE TAILGATE**

(71) Applicant: **Ford Global Technologies, LLC,**  
Dearborn, MI (US)

(72) Inventors: **Soohyoung Kim,** Northville, MI (US);  
**Damon G. Depeyster,** Northville, MI (US);  
**Paul Wraith,** West Bloomfield, MI (US);  
**Albert Kim,** Northville, MI (US);  
**Heath W. Hilliard,** Detroit, MI (US)

(73) Assignee: **Ford Global Technologies, LLC,**  
Dearborn, MI (US)

(\*\*) Term: **15 Years**

(21) Appl. No.: **29/770,518**

(22) Filed: **Feb. 12, 2021**

(51) **LOC (13) Cl.** ..... **12-16**

(52) **U.S. Cl.**  
USPC ..... **D12/196**

(58) **Field of Classification Search**  
USPC ..... D12/88, 90, 91, 92, 181, 184, 190, 193,  
D12/195, 196, 400, 414; D21/424, 433,  
D21/434  
CPC ..... B62D 25/08; B62D 25/00; B62D 25/02;  
B62D 25/003; B62D 33/0273; B62D  
33/033; B62D 24/02  
See application file for complete search history.

(56) **References Cited**

**U.S. PATENT DOCUMENTS**

D758,271 S \* 6/2016 McMahan ..... D12/196  
9,522,704 B1 \* 12/2016 Krajenke ..... B62D 33/0273  
D784,232 S \* 4/2017 Henstridge ..... D12/196  
9,789,914 B1 \* 10/2017 Maranville ..... B62D 33/0273  
D855,529 S \* 8/2019 Dewitt ..... D12/196  
D856,882 S \* 8/2019 Ninov ..... D12/196  
D859,254 S \* 9/2019 Izard ..... D12/196

D890,055 S \* 7/2020 Platto ..... D12/196  
D897,255 S \* 9/2020 Zipfel ..... D12/196  
D908,572 S \* 1/2021 Langhals ..... D12/196  
2021/0387680 A1 \* 12/2021 Parker ..... B62D 33/0273  
2022/0001728 A1 \* 1/2022 Nania ..... B60R 3/02  
2022/0001808 A1 \* 1/2022 Low ..... B60J 11/06

**OTHER PUBLICATIONS**

Tailgates. (Design—© Questel) orbit.com. [Online PDF compilation of references] 56 pgs. Print Dates Range Jul. 16, 2021-Nov. 30, 2018 [Retrieved Jan. 28, 2022].\*  
2015 2016 2017 Ford F150 Tailgate Blackout Stripes Route Tailgate. 2017. Vinyl Graphics Pro. <https://www.vinylgraphicspro.com/2015-2016-2017-ford-f150-tailgate-blackout-stripes-route-tailgate/>.\*

(Continued)

*Primary Examiner* — Manpreet S Matharu  
*Assistant Examiner* — Suzanne E Tisdell

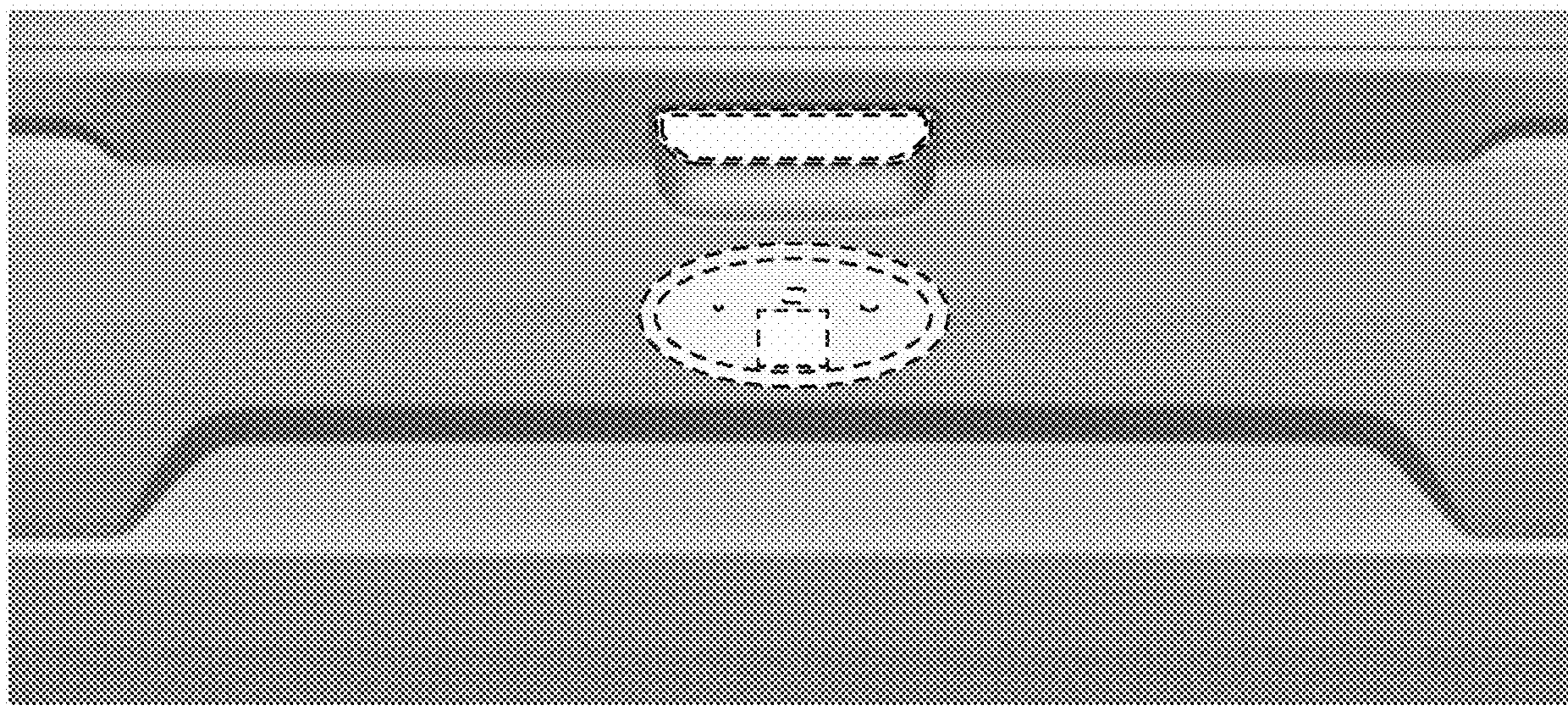
(57) **CLAIM**

The ornamental design for a vehicle tailgate, as shown and described.

**DESCRIPTION**

FIG. 1 is a front elevational view of a vehicle tailgate showing our new design;  
FIG. 2 is a left side elevational view thereof;  
FIG. 3 is a right side elevational view thereof;  
FIG. 4 is a top plan view thereof;  
FIG. 5 is a bottom plan view thereof;  
FIG. 6 is a top, front, and left side perspective view thereof; and,  
FIG. 7 is a bottom, front and left side perspective view thereof.  
Portions of the vehicle tailgate shown in half-tone shading and surrounded by broken lines form no part of the claimed design.

**1 Claim, 7 Drawing Sheets**





(56)

**References Cited**

OTHER PUBLICATIONS

Ford F 150 F150 2018 Tailgate embossed Decal insert set. 2018. Supdec Graphix. [https://supdec.com/catalog?product\\_id=5817](https://supdec.com/catalog?product_id=5817).\*

Bruce, Chris. Ford Explains Why 2021 F-150 Doesn't Have Multifunction Tailgate. Jul. 17, 2020. Motor 1. <https://www.motor1.com/news/434565/ford-f-150-barn-doors/>.\*

Andre Smirnov, Leaked: 2022 Ford Maverick Truck? Could This Be The Next Ford Ranger or Bronco-Based Pickup?, <https://tfltruck.com/2020/04/leaked-2022-ford-maverick-truck-could-this-be-the-next-ford-ranger-or-bronco-based-pickup/> Apr. 30, 2020.

Viknesh Vijayenthiran, 2022 Ford Maverick Spy Shots: Compact Pickup on the way, [https://www.motorauthority.com/news/1129703\\_2022-ford-maverick-spy-shots](https://www.motorauthority.com/news/1129703_2022-ford-maverick-spy-shots) Sep. 23, 2020.

Brett Foote, Ford Maverick Pickup Will Only Be Available In Four-Door Configuration, <https://fordauthority.com/2020/12/ford-maverick-pickup-will-only-be-available-in-four-door-configuration/> Dec. 7, 2020.

Chris Bruce, 2022 Ford Maverick Caught In Bare Metal, Revealing its Design, <https://www.motor1.com/news/458839/2022-ford-maverick-bare-metal/> Dec. 7, 2020.

Mr Robot, Ford Maverick Unibody Fully Revealed!, <https://www.mavericktruckclub.com/forum/threads/ford-maverick-unibody-fully-revealed.13/> Dec. 7, 2020.

Chris Bruce, 2022 Ford Maverick May Only Be Available In Four-Door Super Crew Body, <https://www.motor1.com/news/459229/2022-ford-maverick-super-crew/> Dec. 9, 2020.

Paul A. Eisenstein, Return Of The Ford Maverick—But This Time It's Going To Be A Compact Pickup, <https://www.thedetroitbureau.com/2020/12/return-of-the-ford-maverick-but-this-time-its-going-to-be-a-compact-pickup/> Dec. 9, 2020.

Allison Barfield, The 2022 Ford Maverick Looks Bigger Than Expected, <https://www.motorbiscuit.com/the-2022-ford-maverick-looks-bigger-than-expected/> Dec. 12, 2020.

Alexander Stoklosa, 2022 Ford Maverick: Here It Is, Looking Compact and Surprisingly Trucky, <https://www.motortrend.com/news/2022-ford-maverick-spy-photo-factory-details/> Jan. 8, 2021.

Josh Byrnes, 2022 Ford Maverick: Everything We Know About The Blue Oval's Baby Truck, <https://www.carscoops.com/2021/01/2022-ford-maverick-everything-we-know-about-the-blue-ovals-baby-truck/> Jan. 30, 2021.

\* cited by examiner



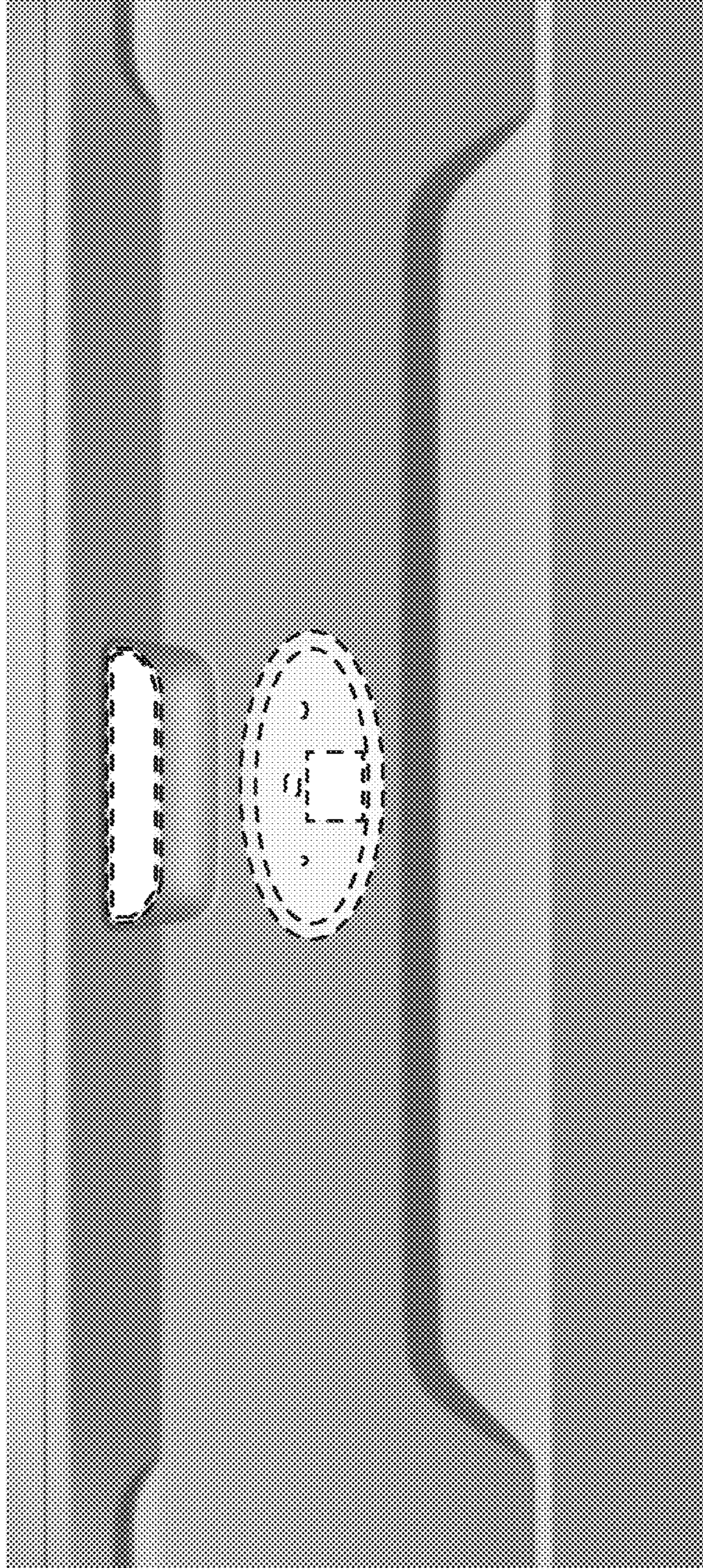


Fig. 1



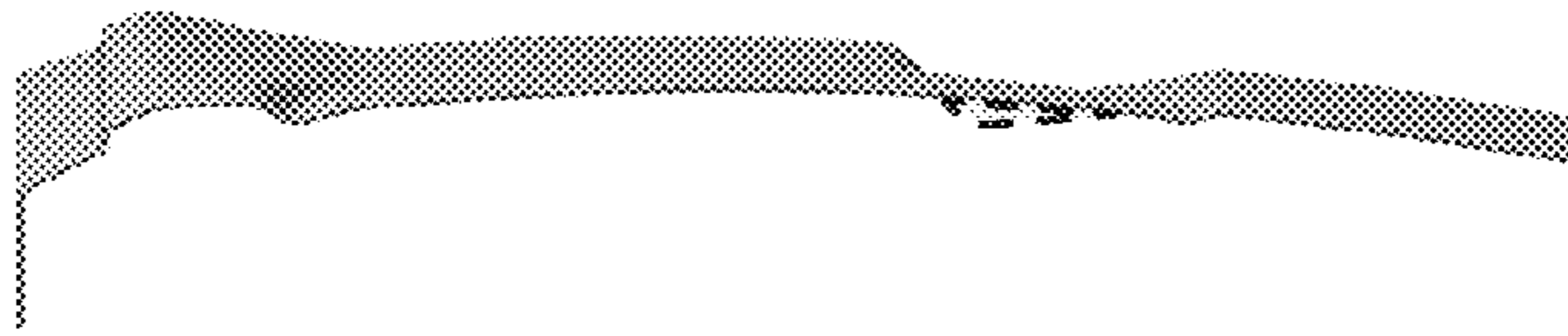


Fig. 2



Fig. 3

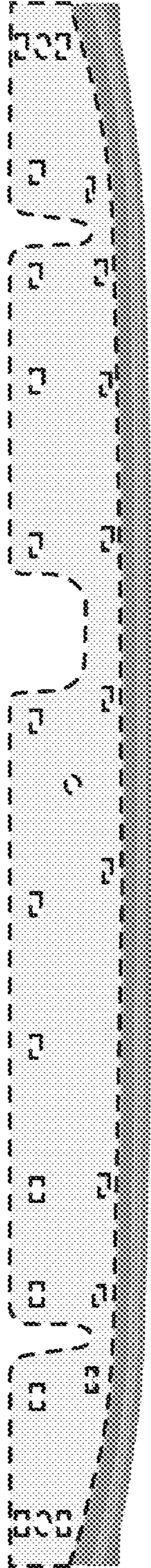


Fig. 4

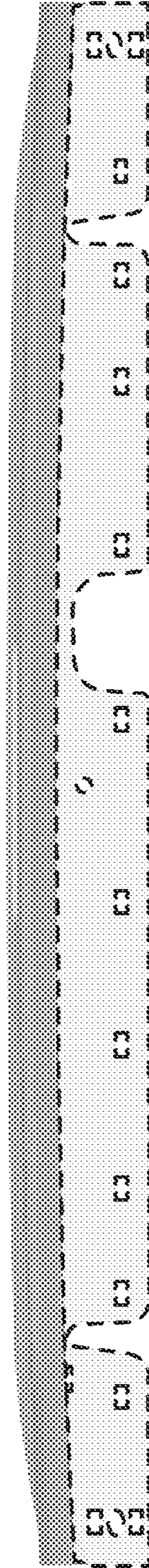


Fig. 5



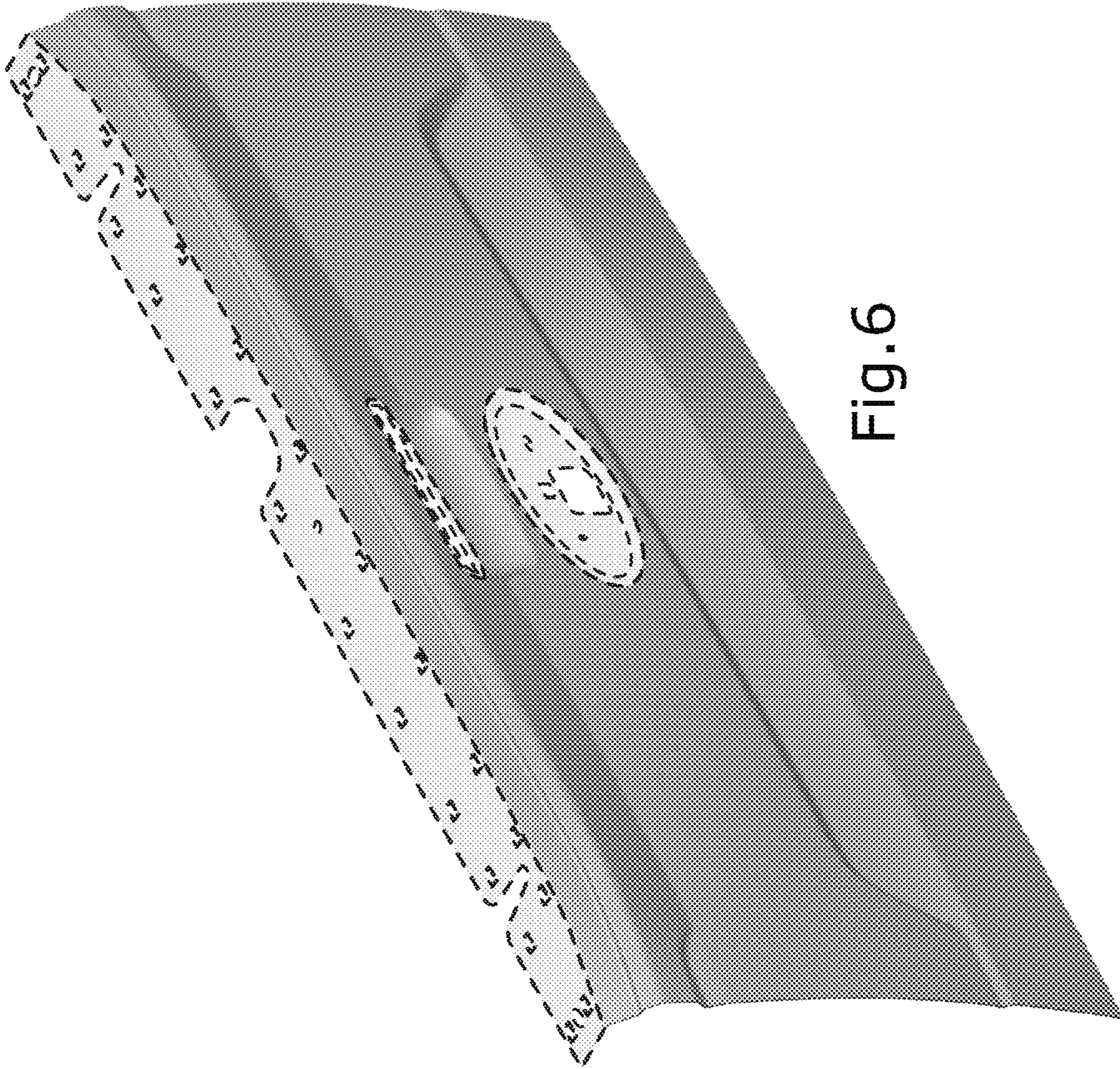


Fig. 6



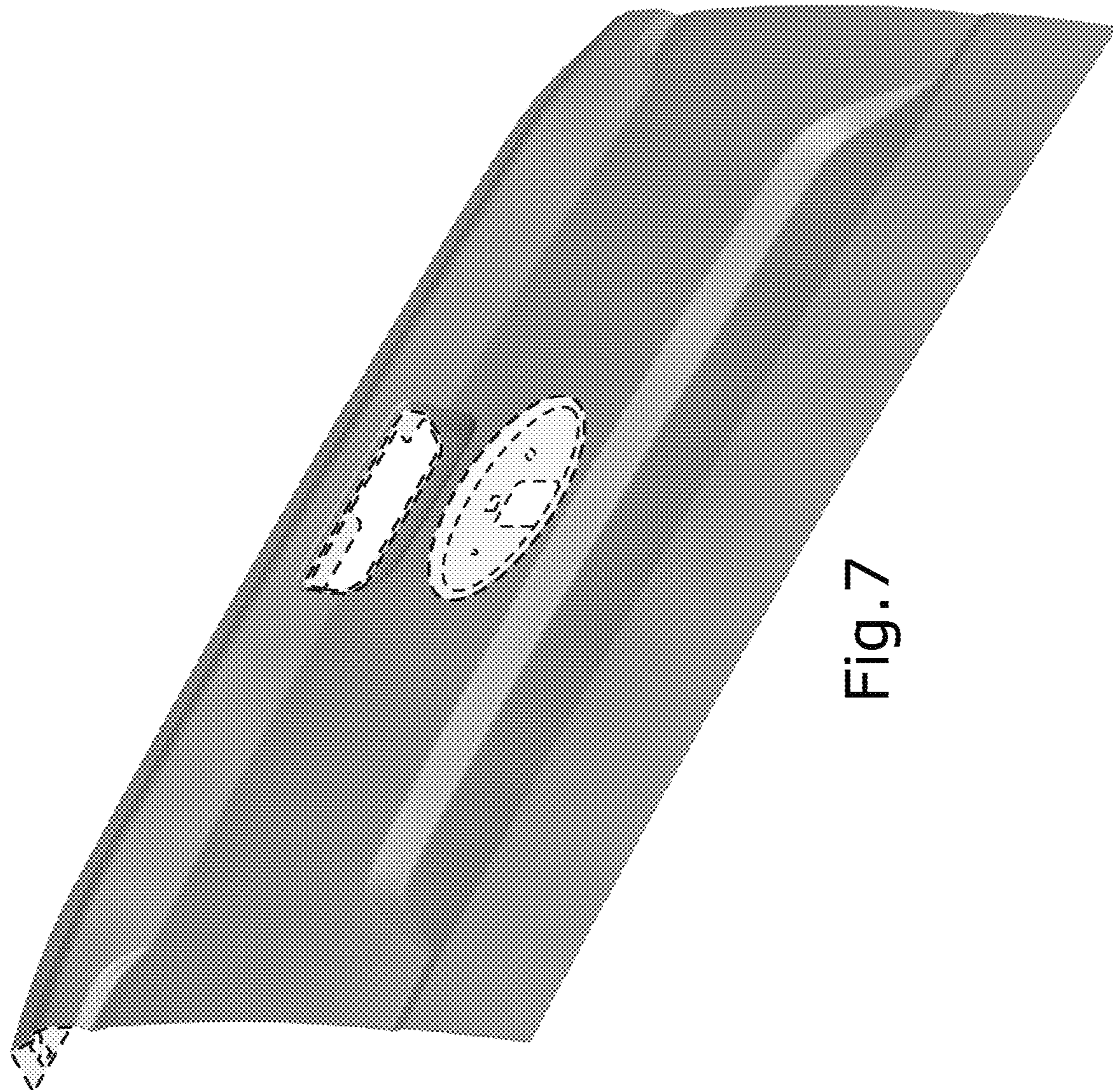


Fig. 7