



US00D966973S

(12) **United States Design Patent** (10) **Patent No.:** **US D966,973 S**
Kim et al. (45) **Date of Patent:** **** Oct. 18, 2022**

(54) **VEHICLE FENDER**
(71) Applicant: **Ford Global Technologies, LLC**,
Dearborn, MI (US)
(72) Inventors: **Sooyoung Kim**, Northville, MI (US);
Damon G. Depeyster, Northville, MI
(US); **Paul Wraith**, West Bloomfield,
MI (US); **Albert Kim**, Northville, MI
(US); **Heath W. Hilliard**, Detroit, MI
(US)
(73) Assignee: **Ford Global Technologies, LLC**,
Dearborn, MI (US)
(**) Term: **15 Years**
(21) Appl. No.: **29/770,503**
(22) Filed: **Feb. 12, 2021**
(51) **LOC (13) Cl.** **12-16**
(52) **U.S. Cl.**
USPC **D12/184**
(58) **Field of Classification Search**
USPC ... D12/1, 14, 82, 85, 88, 89, 90, 91, 92, 93,
D12/96, 97, 98, 99, 164, 167, 169, 170,
D12/171, 172, 173, 181, 184, 185, 190,
D12/192, 196, 400; D21/533, 548, 552,
D21/561
CPC B62D 25/02; B62D 25/04; B62D 25/16;
B62D 25/18; B62D 25/161; B62D
25/168; B62D 25/182; B60J 5/00; B60J
5/02; B60J 5/04; B60J 5/10; B60R 19/00
See application file for complete search history.

D881,092 S * 4/2020 Tonello D12/184
D885,273 S * 5/2020 Woodhouse D12/181
D899,982 S * 10/2020 Metros D12/181
D899,983 S * 10/2020 Metros D12/181
D904,950 S * 12/2020 Al Attar D12/184
D919,520 S * 5/2021 Wraith D12/181
D929,279 S * 8/2021 Woodhouse D12/184
D929,280 S * 8/2021 Piaskowski D12/184
D930,533 S * 9/2021 Ruiz D12/184
D938,873 S * 12/2021 Yamaji D12/181
D940,025 S * 1/2022 Kaoud D12/184

OTHER PUBLICATIONS

Fenders. (Design—© Questel) orbit.com. [Online PDF compilation of references] 52 pgs. Print Dates Range Jun. 5, 2020-Jul. 10, 2021 [Retrieved Jan. 24, 2022].*

(Continued)

Primary Examiner — Manpreet S Matharu
Assistant Examiner — Suzanne E Tisdell

(57) **CLAIM**

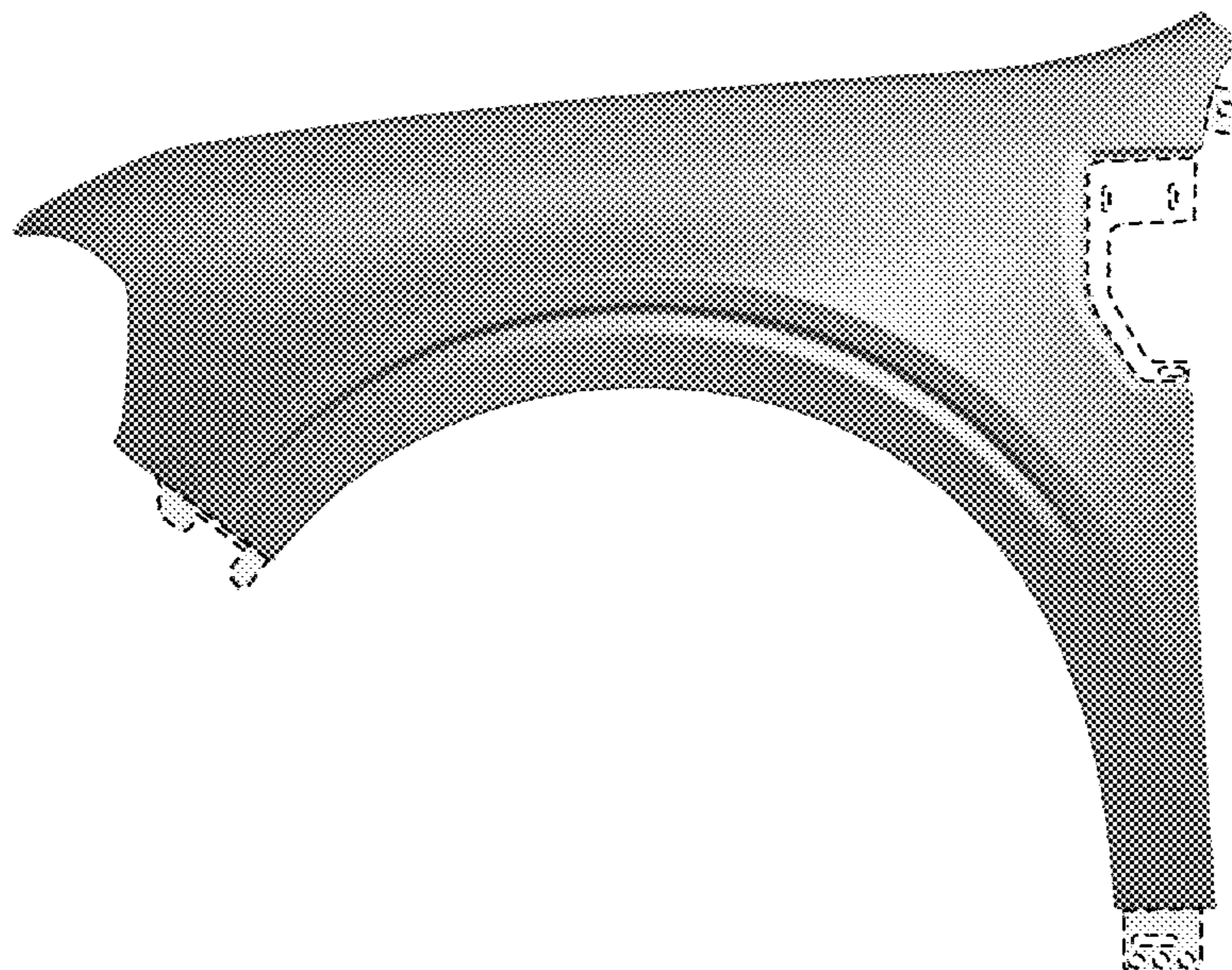
The ornamental design for a vehicle fender, as shown and described.

DESCRIPTION

FIG. 1 is a front elevational view of a vehicle fender showing our new design;
FIG. 2 is a left side elevational view thereof;
FIG. 3 is a right side elevational view thereof;
FIG. 4 is a top plan view thereof;
FIG. 5 is a bottom plan view thereof;
FIG. 6 is a top, front, and left side perspective view thereof; and,
FIG. 7 is a top, rear and right side perspective view thereof. Portions of the vehicle fender shown in half-tone shading and surrounded by broken lines form no part of the claimed design.

1 Claim, 7 Drawing Sheets

(56) **References Cited**
U.S. PATENT DOCUMENTS
D874,365 S * 2/2020 Woodhouse D12/181
D878,261 S * 3/2020 Woodhouse D12/184



(56)

References Cited

OTHER PUBLICATIONS

Replace Ford Fenders. Before Dec. 1, 2017. Car ID. <https://www.carid.com/replace/fenders.html?urlId=89282090>.*

Ford Focus Fender Right . 2007. Painted Auto Body Parts, <https://paintedautobodyparts.com/ford-focus-fender-right-oem-5s4z16005aa-2005-2007.html>.*

Evan-Fischer Front Fender. Jun. 22, 2016. Amazon. https://www.amazon.com/dp/B01HE6RY8S/ref=sspa_dk_detail_5?pcs=1&pd_rd_i=B01HE6RY8S&pd_rd_w=xH8TY&pf_rd_p=9fd3ea7c-b77c-42ac-b43b-c872d3f37c38&pd_rd_wg=LSI9c&pf_rd_r=3ZVPFSBM8QQ32WGJ3MPV&pd_rd_r=8ccf06a2-b5ec-4f0e-8541-026e418718f5&smid=A1HUEAKMMEJT9B&spLa=ZW5jcnlwd.*

Andre Smirnov, Leaked: 2022 Ford Maverick Truck? Could This Be The Next Ford Ranger or Bronco-Based Pickup?, <https://tfltruck.com/2020/04/leaked-2022-ford-maverick-truck-could-this-be-the-next-ford-ranger-or-bronco-based-pickup/> Apr. 30, 2020.

Viknesh Vijayenthiran, 2022 Ford Maverick Spy Shots: Compact Pickup on the way, https://www.motorauthority.com/news/1129703_2022-ford-maverick-spy-shots Sep. 23, 2020.

Brett Foote, Ford Maverick Pickup Will Only Be Available In Four-Door Configuration, <https://fordauthority.com/2020/12/ford-maverick-pickup-will-only-be-available-in-four-door-configuration/> Dec. 7, 2020.

Chris Bruce, 2022 Ford Maverick Caught In Bare Metal, Revealing its Design, <https://www.motor1.com/news/458839/2022-ford-maverick-bare-metal/> Dec. 7, 2020.

Mr Robot, Ford Maverick Unibody Fully Revealed!, <https://www.mavericktruckclub.com/forum/threads/ford-maverick-unibody-fully-revealed.13/> Dec. 7, 2020.

Chris Bruce, 2022 Ford Maverick May Only Be Available In Four-Door Super Crew Body, <https://www.motor1.com/news/459229/2022-ford-maverick-super-crew/> Dec. 9, 2020.

Paul A. Eisenstein, Return Of The Ford Maverick—But This Time It's Going To Be A Compact Pickup, <https://www.thedetroitbureau.com/2020/12/return-of-the-ford-maverick-but-this-time-its-going-to-be-a-compact-pickup/> Dec. 9, 2020.

Allison Barfield, The 2022 Ford Maverick Looks Bigger Than Expected, <https://www.motorbiscuit.com/the-2022-ford-maverick-looks-bigger-than-expected/> Dec. 12, 2020.

Alexander Stoklosa, 2022 Ford Maverick: Here It Is, Looking Compact and Surprisingly Trucky, <https://www.motortrend.com/news/2022-ford-maverick-spy-photo-factory-details/> Jan. 8, 2021.

Josh Byrnes, 2022 Ford Maverick: Everything We Know About The Blue Oval's Baby Truck, <https://www.carscoops.com/2021/01/2022-ford-maverick-everything-we-know-about-the-blue-ovals-baby-truck/> Jan. 30, 2021.

* cited by examiner

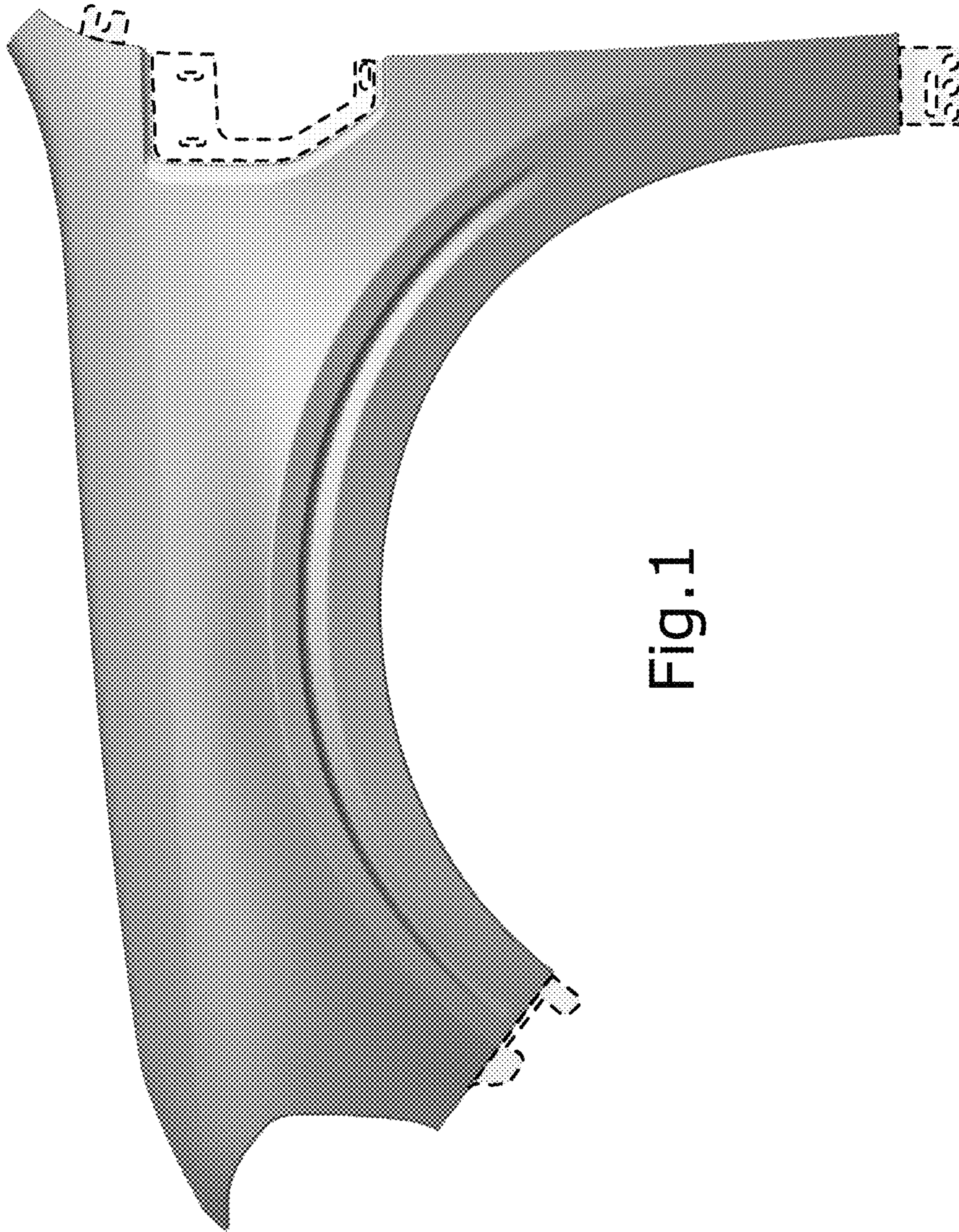


Fig. 1

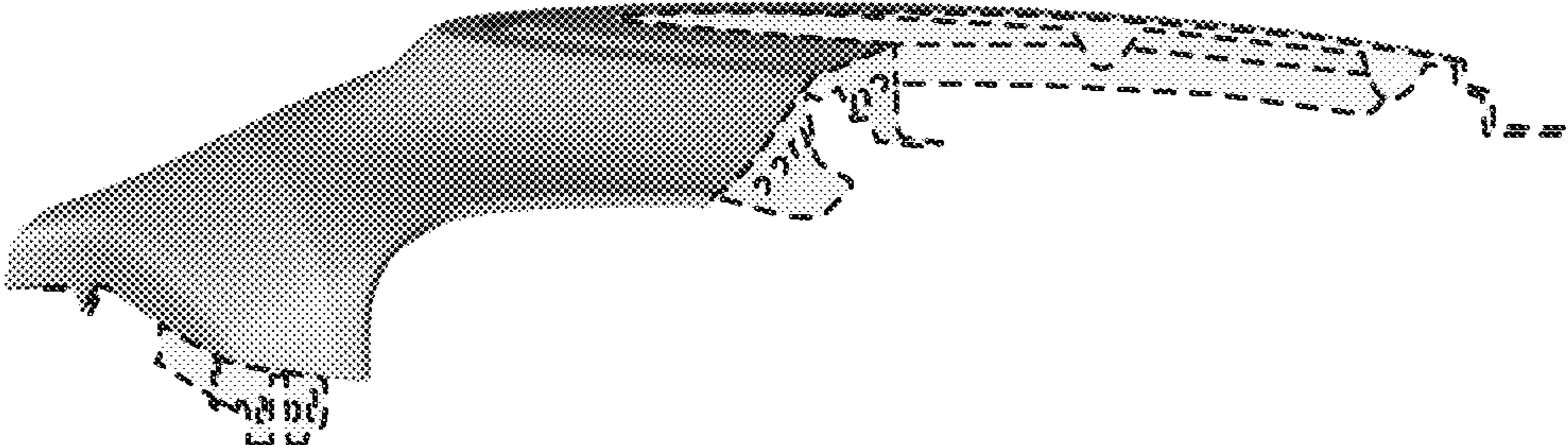


Fig.2

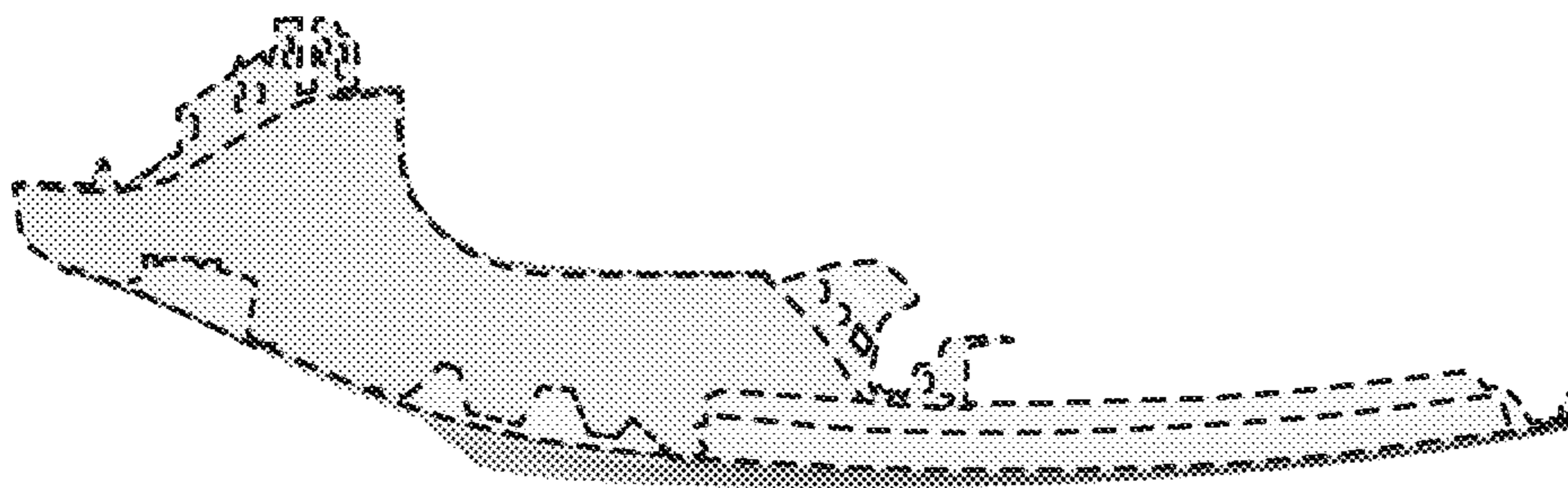


Fig. 3

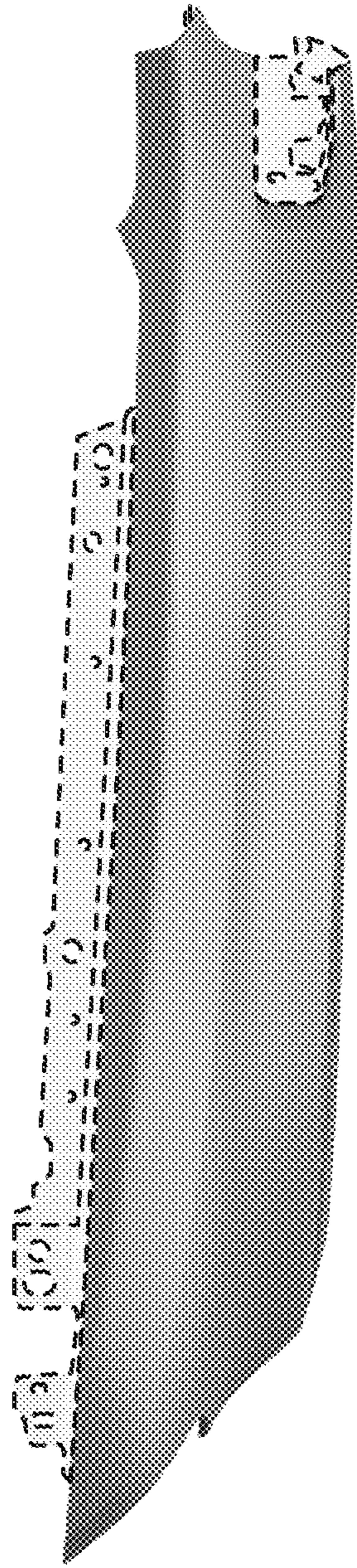


Fig.4

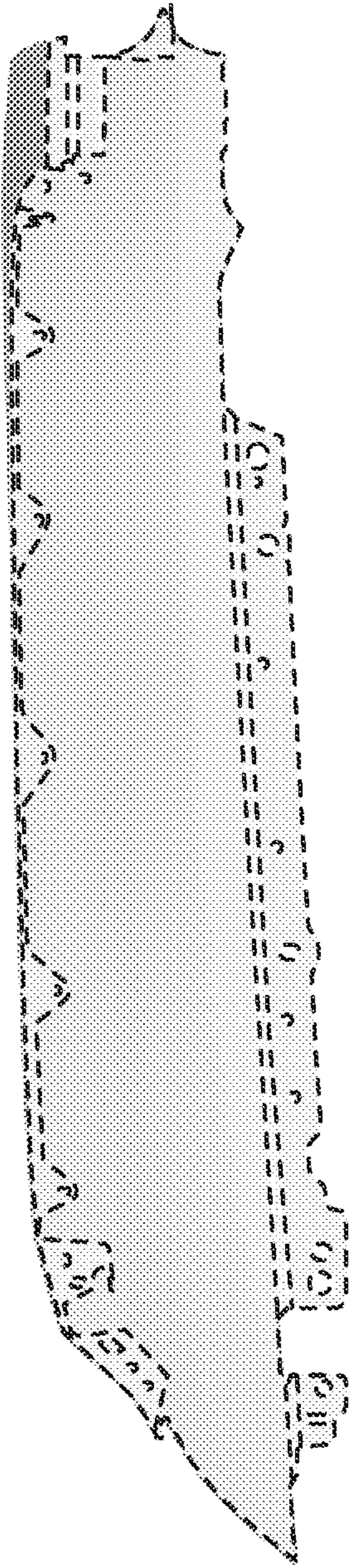


Fig. 5

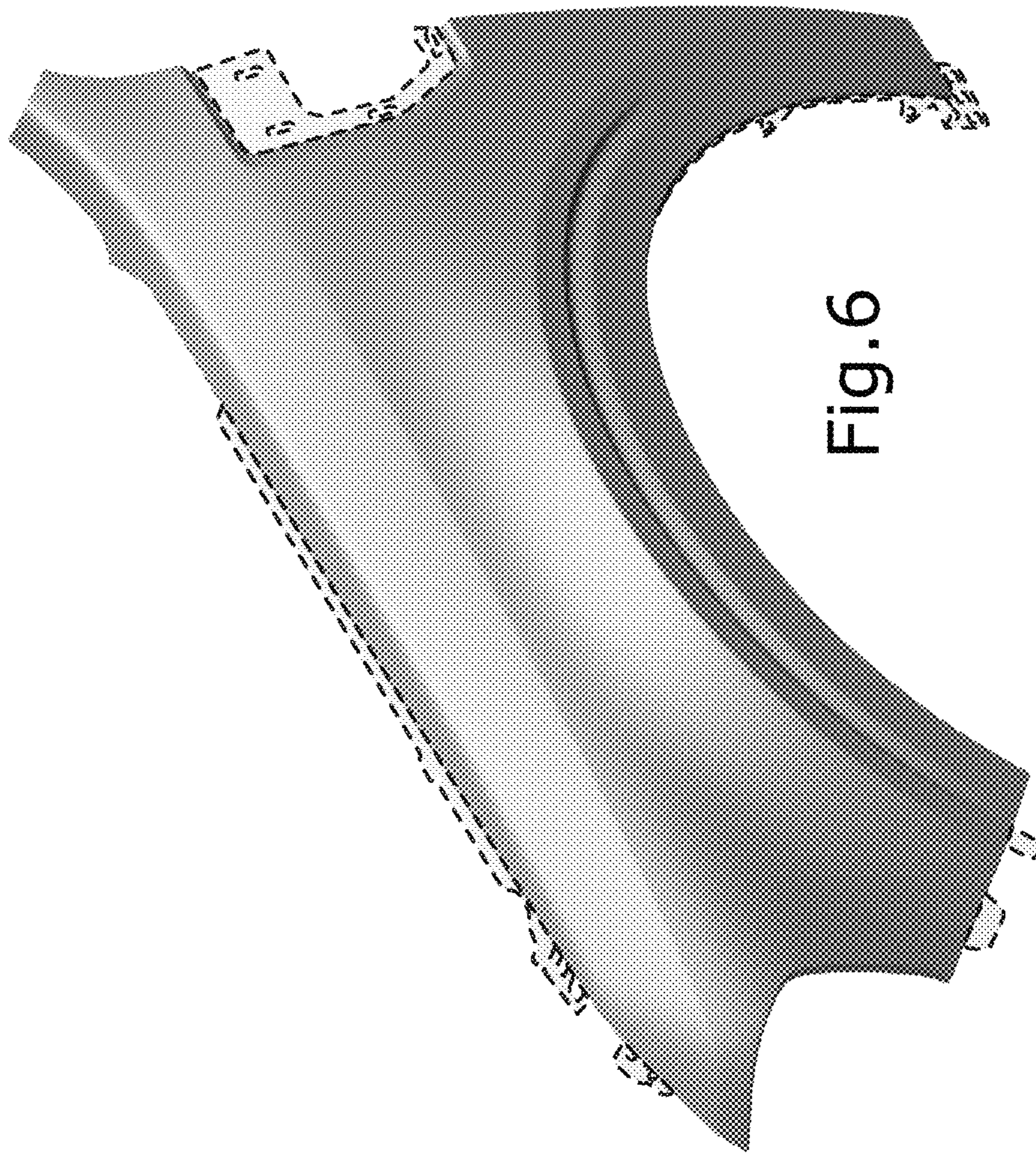


Fig. 6

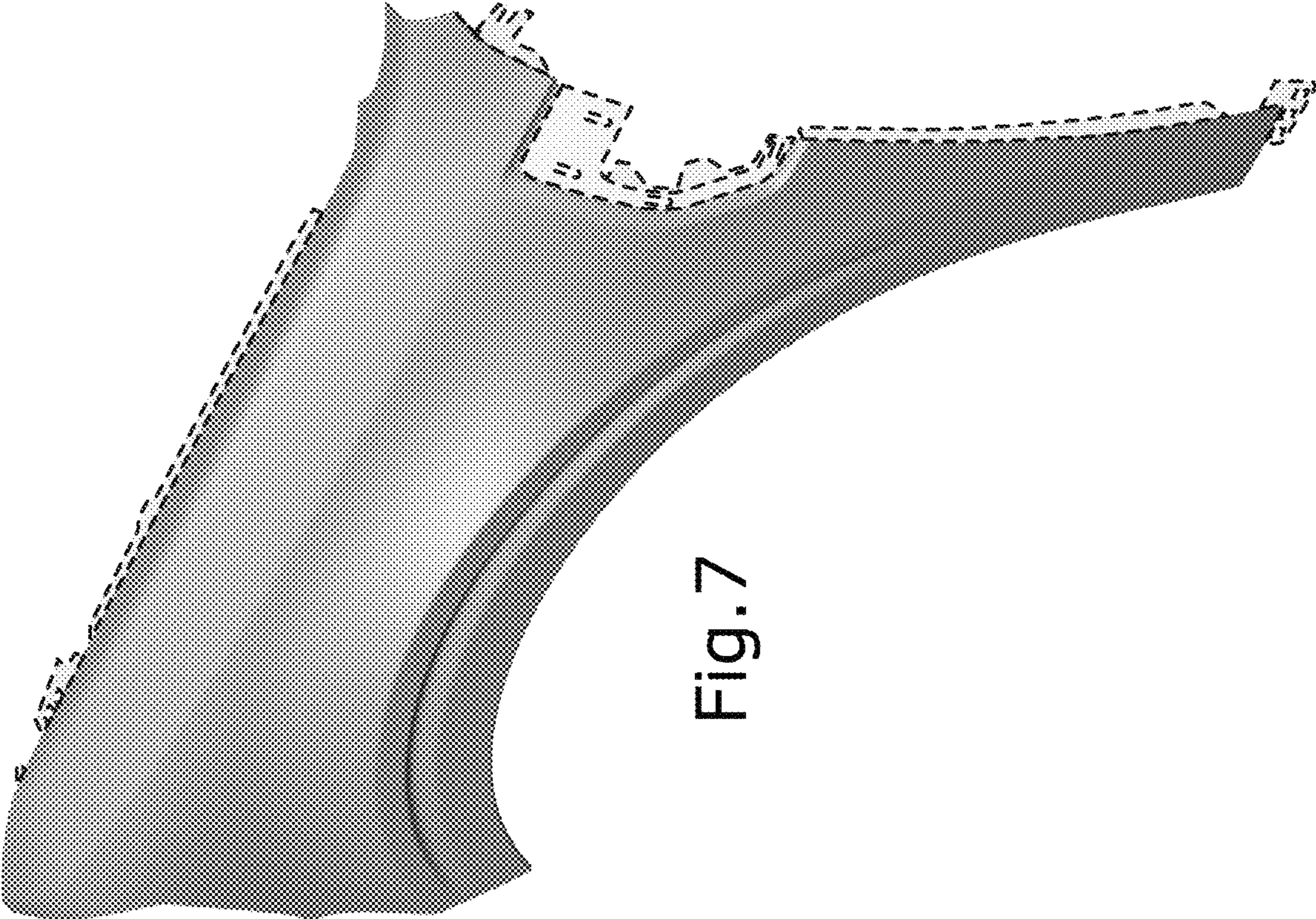


Fig. 7