



US00D966970S

(12) **United States Design Patent** (10) **Patent No.:** **US D966,970 S**
Kim et al. (45) **Date of Patent:** **** Oct. 18, 2022**

(54) **VEHICLE REAR BUMPER COVER**

(71) Applicant: **Ford Global Technologies, LLC,**
Dearborn, MI (US)

(72) Inventors: **Soohyoung Kim,** Northville, MI (US);
Damon G. Depeyster, Northville, MI (US);
Paul Wraith, West Bloomfield, MI (US);
Albert Kim, Northville, MI (US);
Heath W. Hilliard, Detroit, MI (US)

(73) Assignee: **Ford Global Technologies, LLC,**
Dearborn, MI (US)

(**) Term: **15 Years**

(21) Appl. No.: **29/770,513**

(22) Filed: **Feb. 12, 2021**

(51) **LOC (13) Cl.** **12-16**

(52) **U.S. Cl.**
USPC **D12/169**

(58) **Field of Classification Search**
USPC D12/86, 88, 89, 90, 91, 92, 93, 96, 163,
D12/164, 167, 169, 173, 181, 184, 185,
D12/190, 192, 196, 400; D21/533, 548,
D21/552, 561

CPC B60R 19/00; B60R 19/02; B60R 19/18;
B60R 19/24; B60R 19/56; B60R
2019/007; B60R 13/04; B60K 11/08;
B62D 25/02; B62D 25/08

See application file for complete search history.

(56) **References Cited**

U.S. PATENT DOCUMENTS

D927,372 S * 8/2021 Phan D12/169
D931,162 S * 9/2021 Forrest D12/169
D931,165 S * 9/2021 Montoya Bueloni D12/169
D932,395 S * 10/2021 Akcay D12/169
D934,752 S * 11/2021 Watanuki D12/169

D934,755 S * 11/2021 Montoya Bueloni D12/169
D936,533 S * 11/2021 DiCanzio D12/169
D937,151 S * 11/2021 Wraith D12/169
D937,156 S * 11/2021 Kaoud D12/169
2018/0194309 A1* 7/2018 Frederick B60R 19/023
2018/0194311 A1* 7/2018 Williams B60R 19/34
2021/0245689 A1* 8/2021 Williams B60S 1/66
2021/0347318 A1* 11/2021 Knutsen B60R 19/48

OTHER PUBLICATIONS

Bumpers. (Design—© Questel) orbit.com. [Online PDF compilation of references] 59 pgs. Print Dates Range Dec. 17, 2021-Feb. 26, 2020 [Retrieved Feb. 1, 2022].*
2004-2009 Mazda 3 4DR Duraflex. 2009. BMC Extreme Customs. <https://www.bmcextremecustoms.net/2004-2009-mazda-3-4dr-duraflex-i-spec-body-kit-104563.html>.*

(Continued)

Primary Examiner — Manpreet S Matharu
Assistant Examiner — Suzanne E Tisdell

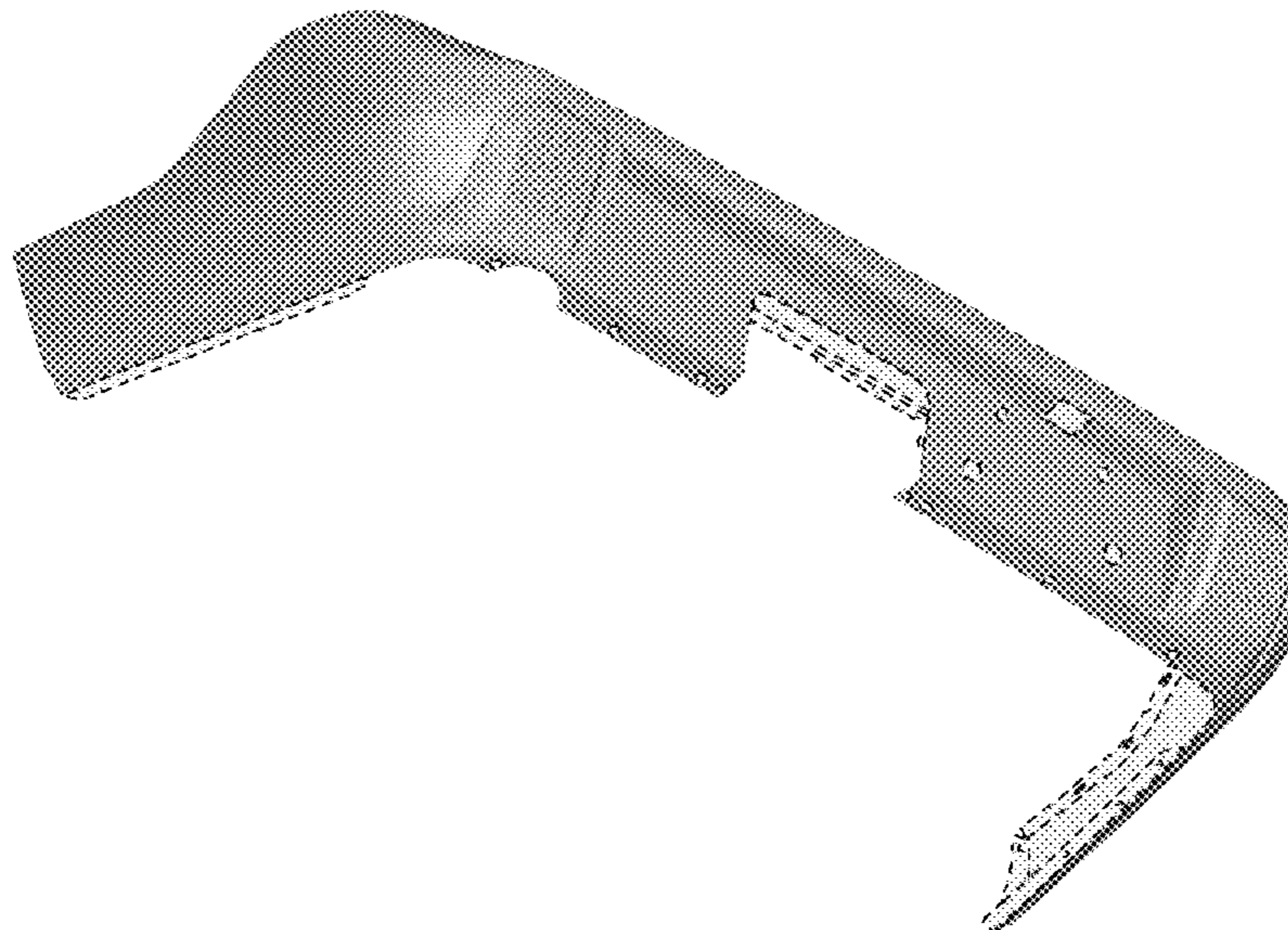
(57) **CLAIM**

The ornamental design for a vehicle rear bumper cover, as shown and described.

DESCRIPTION

FIG. 1 is a front elevational view of a vehicle rear bumper cover showing our new design;
FIG. 2 is a left side elevational view thereof;
FIG. 3 is a right side elevational view thereof;
FIG. 4 is a top plan view thereof;
FIG. 5 is a bottom plan view thereof;
FIG. 6 is a top, front, and left side perspective view thereof; and,
FIG. 7 is a bottom, front and left side perspective view thereof.
Portions of the vehicle rear bumper cover shown in half-tone shading and surrounded by broken lines form no part of the claimed design.

1 Claim, 7 Drawing Sheets



(56)

References Cited

OTHER PUBLICATIONS

2009-2018 Ram Rear BUMPERHELLZ. 2018. Ecoological. https://www.ecoological.com/store/p89/2009-2018_Ram_-_Rear BUMPERHELLZ%E2%84%A2_-_Truck_Bumper_Covers.html.*

Tacoma Rear Bumper Covers. 2016. Extreme Terrain. <https://www.extremeterrain.com/bumpershellz-tacoma-rear-bumper-covers-matte-black-tt6618.html>.*

Andre Smirnov, Leaked: 2022 Ford Maverick Truck? Could This Be The Next Ford Ranger or Bronco-Based Pickup?, <https://tfltruck.com/2020/04/leaked-2022-ford-maverick-truck-could-this-be-the-next-ford-ranger-or-bronco-based-pickup/> Apr. 30, 2020.

Viknesh Vijayenthiran, 2022 Ford Maverick Spy Shots: Compact Pickup on the way, https://www.motorauthority.com/news/1129703_2022-ford-maverick-spy-shots Sep. 23, 2020.

Brett Foote, Ford Maverick Pickup Will Only Be Available In Four-Door Configuration, <https://fordauthority.com/2020/12/ford-maverick-pickup-will-only-be-available-in-four-door-configuration/> Dec. 7, 2020.

Chris Bruce, 2022 Ford Maverick Caught In Bare Metal, Revealing its Design, <https://www.motor1.com/news/458839/2022-ford-maverick-bare-metal/> Dec. 7, 2020.

Mr Robot, Ford Maverick Unibody Fully Revealed!, <https://www.mavericktruckclub.com/forum/threads/ford-maverick-unibody-fully-revealed.13/> Dec. 7, 2020.

Chris Bruce, 2022 Ford Maverick May Only Be Available In Four-Door Super Crew Body, <https://www.motor1.com/news/459229/2022-ford-maverick-super-crew/> Dec. 9, 2020.

Paul A. Eisenstein, Return Of The Ford Maverick—But This Time It's Going To Be A Compact Pickup, <https://www.thedetroitbureau.com/2020/12/return-of-the-ford-maverick-but-this-time-its-going-to-be-a-compact-pickup/> Dec. 9, 2020.

Allison Barfield, The 2022 Ford Maverick Looks Bigger Than Expected, <https://www.motorbiscuit.com/the-2022-ford-maverick-looks-bigger-than-expected/> Dec. 12, 2020.

Alexander Stoklosa, 2022 Ford Maverick: Here It Is, Looking Compact and Surprisingly Trucky, <https://www.motortrend.com/news/2022-ford-maverick-spy-photo-factory-details/> Jan. 8, 2021.

Josh Byrnes, 2022 Ford Maverick: Everything We Know About The Blue Oval's Baby Truck, <https://www.carscoops.com/2021/01/2022-ford-maverick-everything-we-know-about-the-blue-ovals-baby-truck/> Jan. 30, 2021.

* cited by examiner

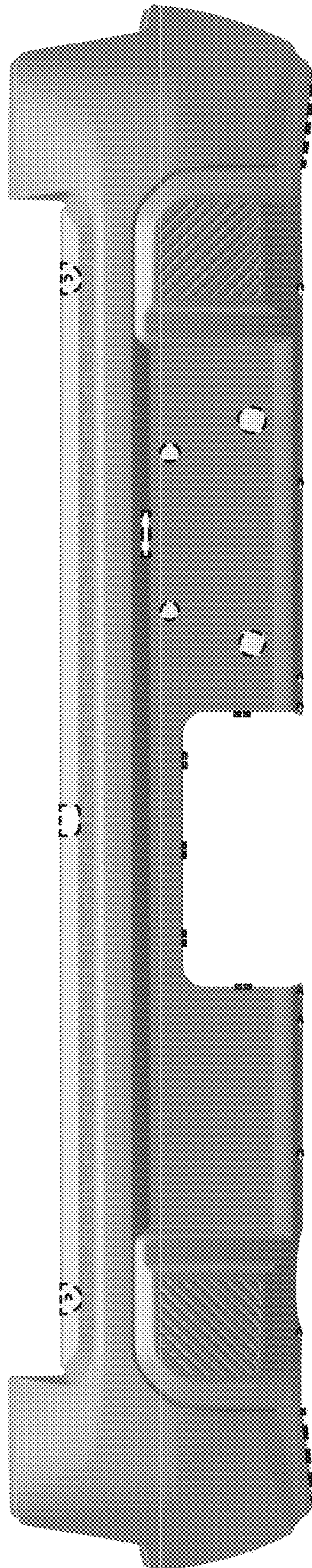


Fig.1

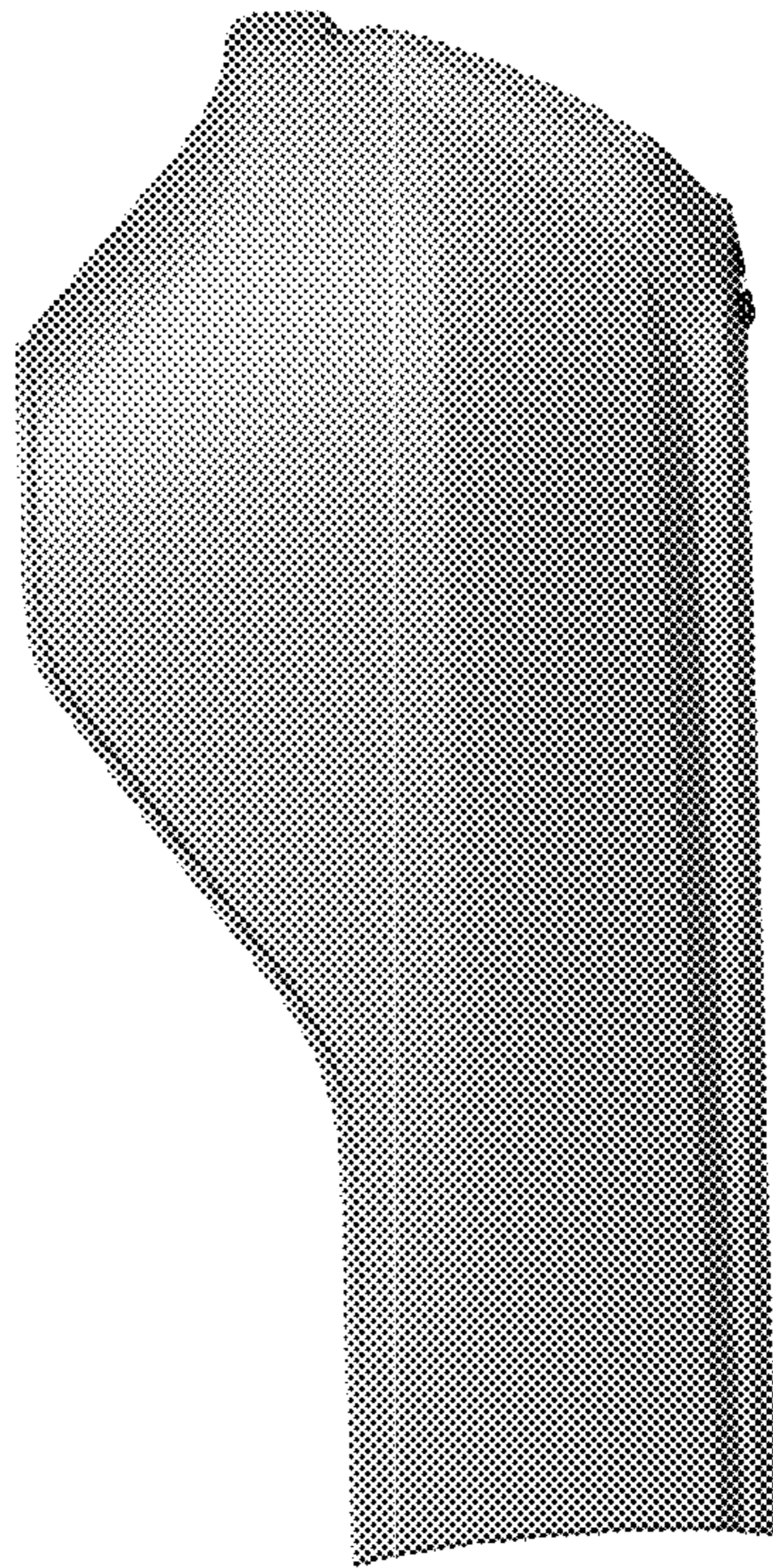


Fig. 2

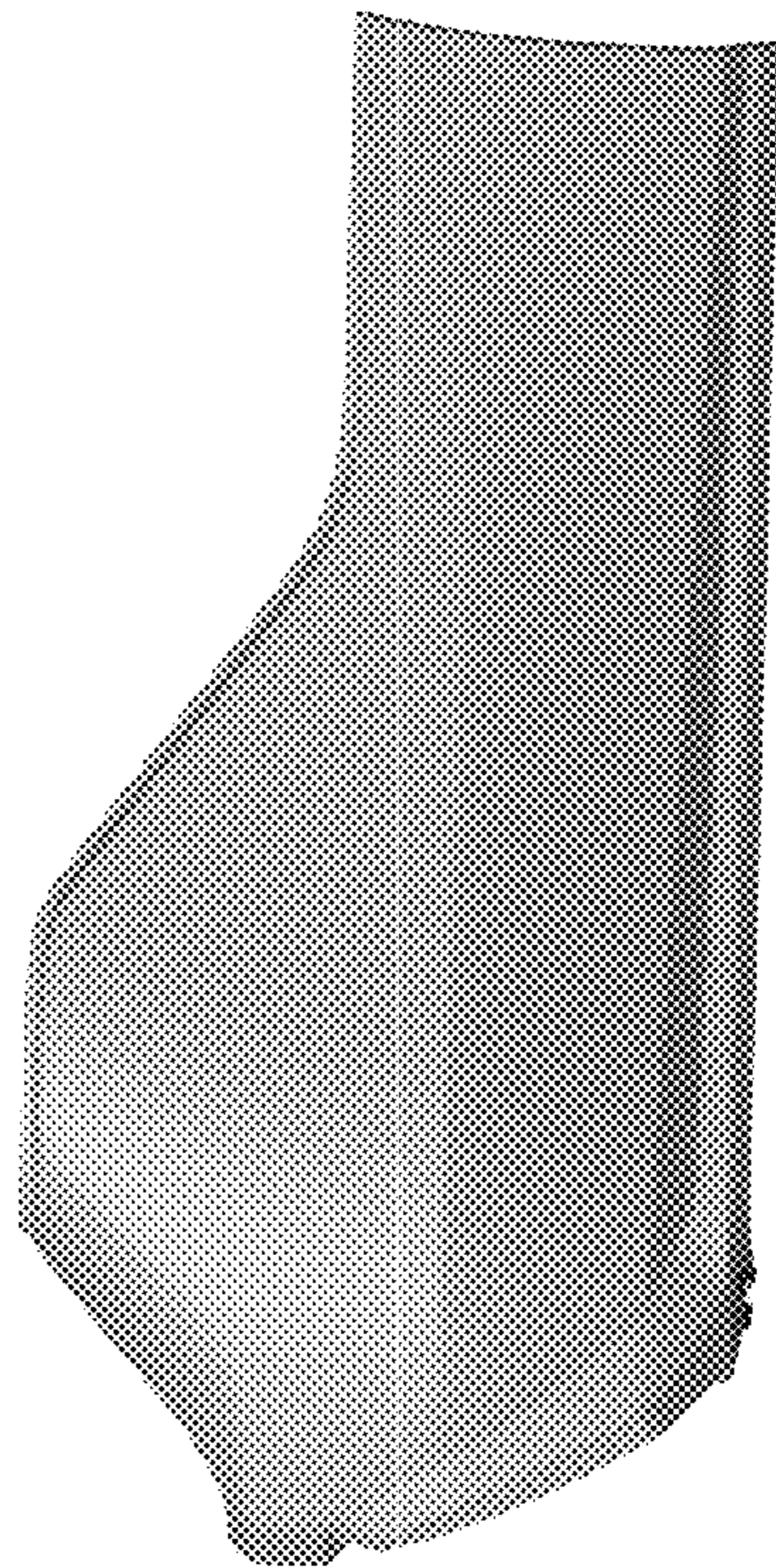


Fig. 3

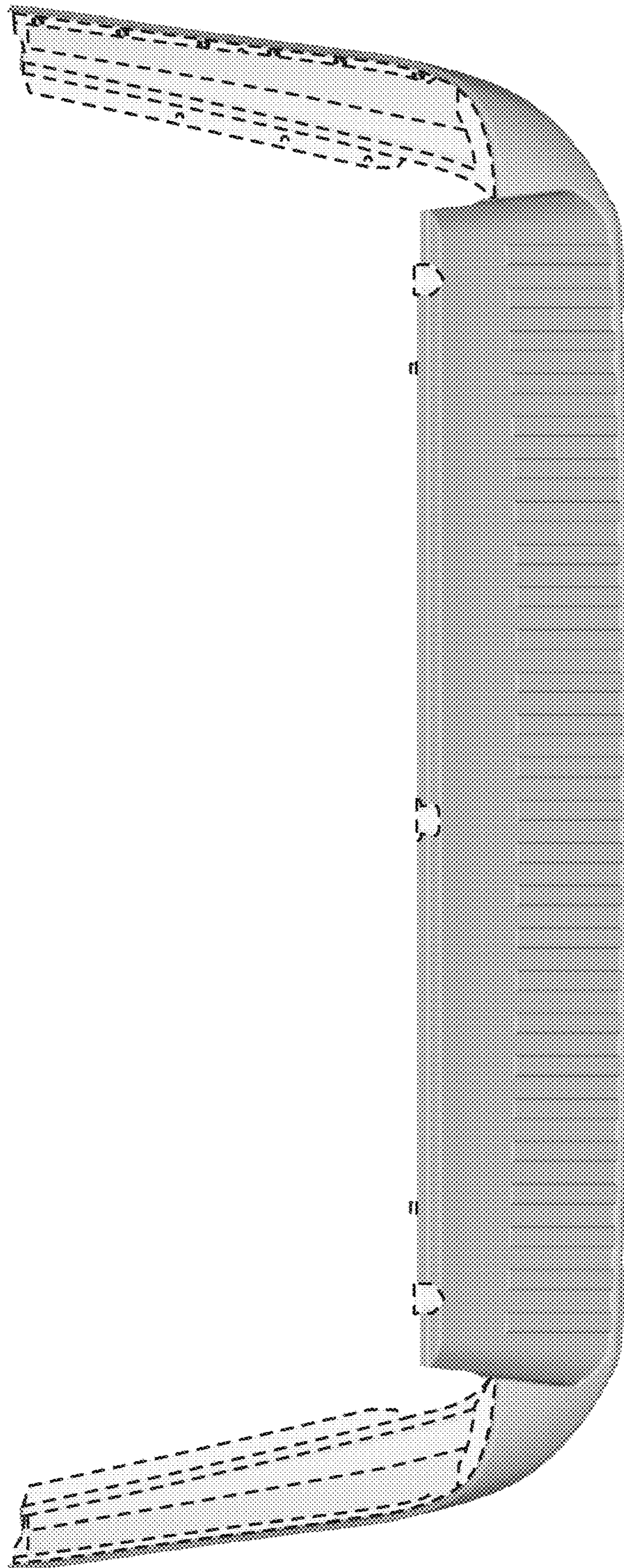


Fig.4

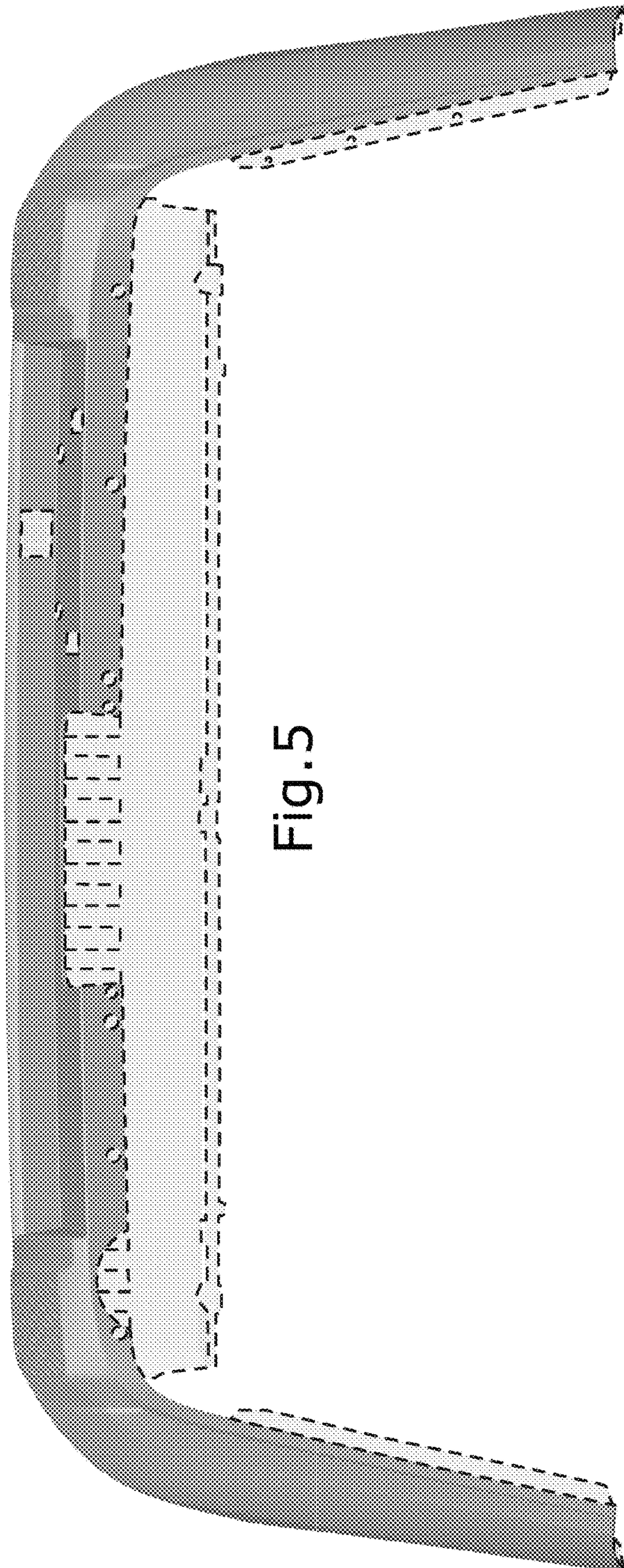


Fig. 5

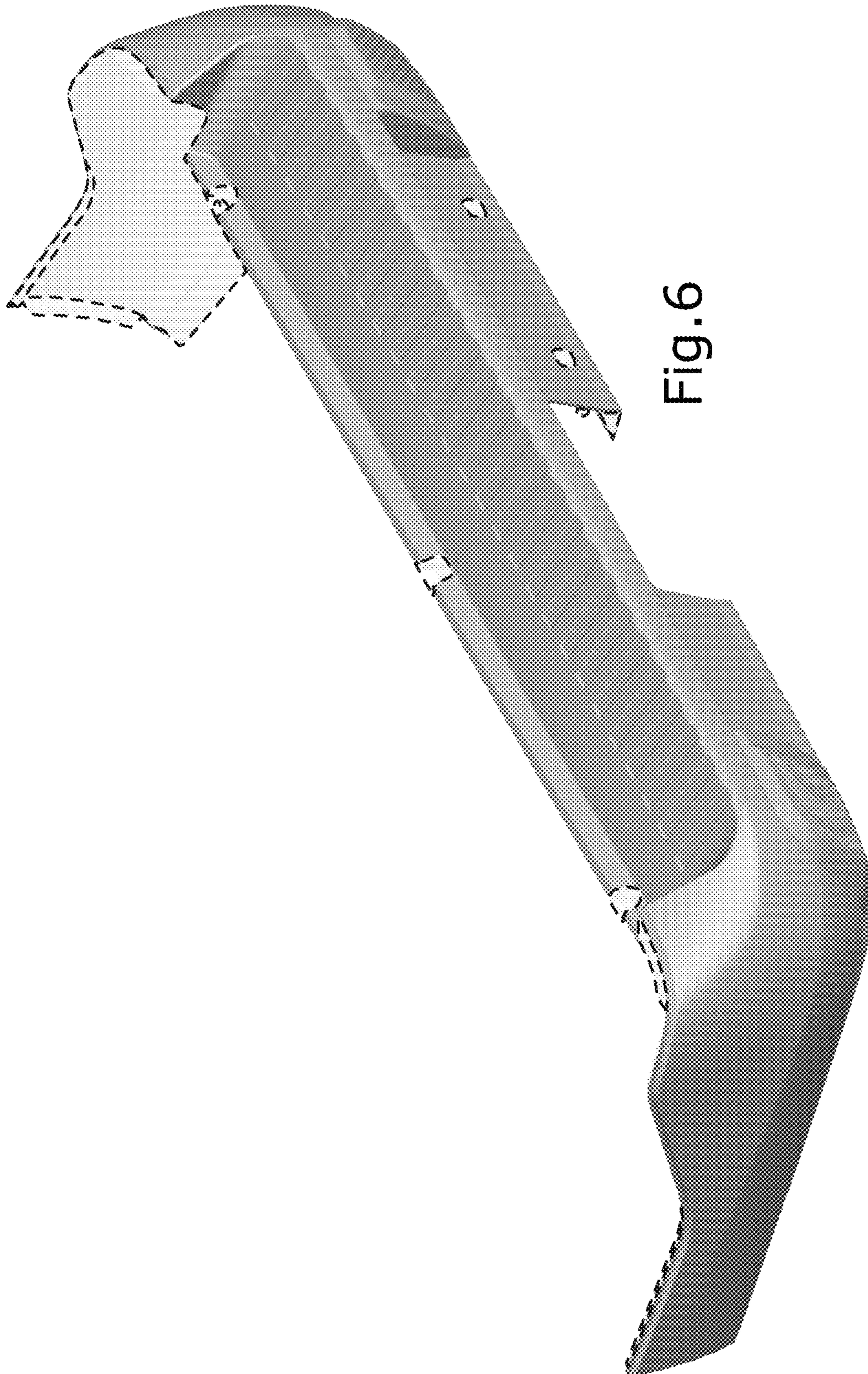


Fig. 6

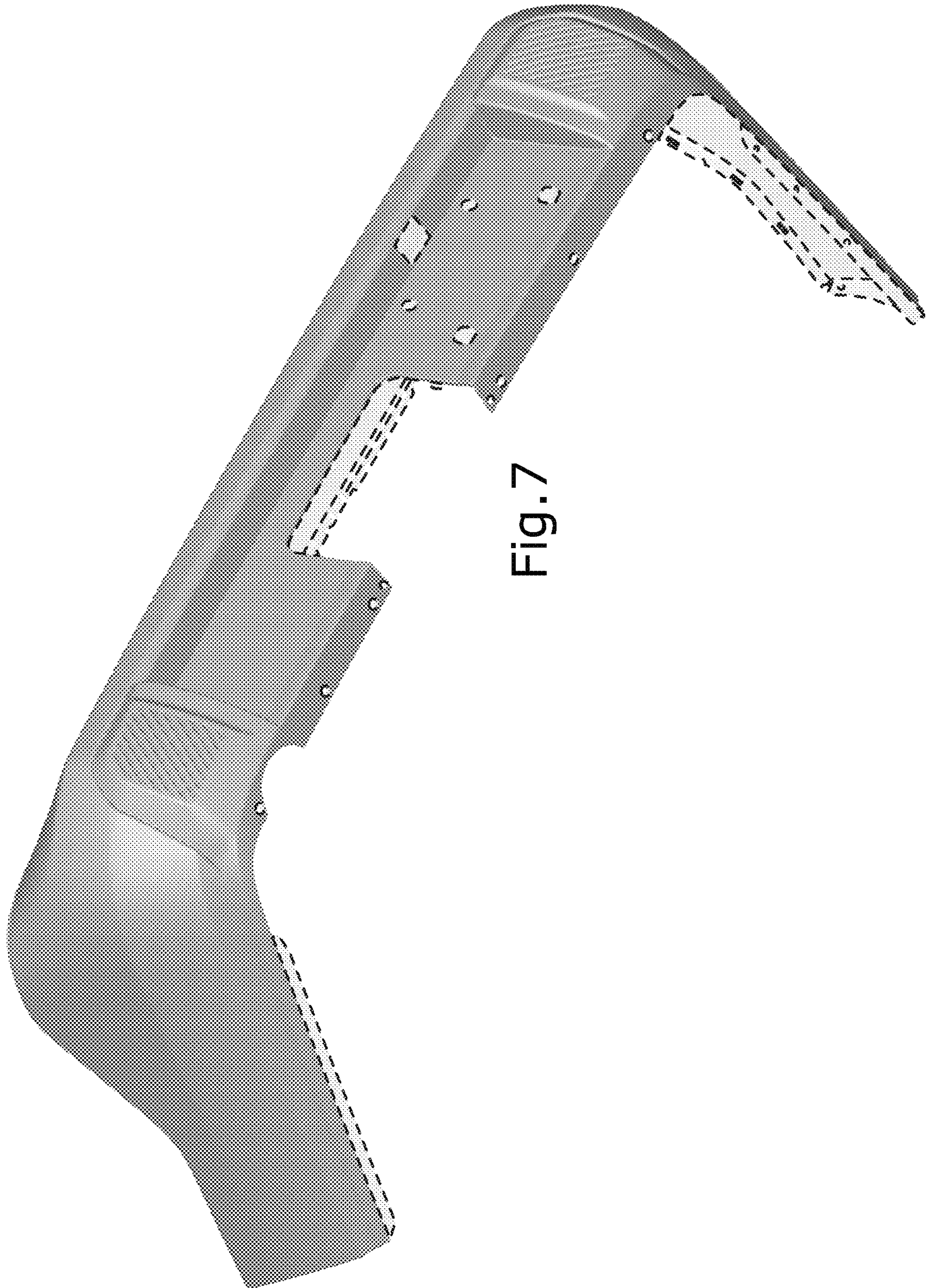


Fig. 7