



US00D966961S

(12) **United States Design Patent**
Jenkins et al.

(10) **Patent No.:** **US D966,961 S**
(45) **Date of Patent:** **** Oct. 18, 2022**

(54) **TOP PORTION OF AUTOMOTIVE VEHICLE
BODY, TOY REPLICA AND/OR OTHER
REPLICA**

D873,718 S * 1/2020 Sperling D12/92
D913,849 S * 3/2021 Nurnberger D12/91
D932,945 S 10/2021 Ohnuma

(71) Applicant: **Atieva Inc.**, Ugland House (KY)
(72) Inventors: **Derek N. Jenkins**, Malibu, CA (US);
Jiyeon Kim, Palo Alto, CA (US)
(73) Assignee: **Atieva Inc.**, Grand Cayman (KY)
(**) Term: **15 Years**

OTHER PUBLICATIONS

Photos of Lucid Motors AIR™ prototype vehicle exterior, published prior to Jun. 2019.
R. Moore, Lucid Motors Air™ prototype vehicle review article; TopSpeed, published Aug. 25, 2017.

(21) Appl. No.: **29/740,902**
(22) Filed: **Jul. 8, 2020**
(51) **LOC (13) Cl.** **12-16**
(52) **U.S. Cl.**
USPC **D12/164**
(58) **Field of Classification Search**
USPC D12/86, 90-92, 164; D21/433, 434,
D21/531-535; 296/181.1-181.5, 183.1
CPC B62D 25/00; B62D 25/06; B62D 33/00;
B62D 35/00
See application file for complete search history.

* cited by examiner

Primary Examiner — Melody N Brown

(57) **CLAIM**

We claim the ornamental design for a top portion of an automotive vehicle body, toy replica and/or other replica.

DESCRIPTION

FIG. 1 is a top, front and side perspective view of a top portion of an automotive vehicle body, toy replica and/or other replica showing our new design;
FIG. 2 is a top, rear and side perspective view thereof;
FIG. 3 is a front elevational view thereof;
FIG. 4 is a rear elevational view thereof;
FIG. 5 is a side elevational view thereof;
FIG. 6 is an opposite side elevational view thereof;
FIG. 7 is a top plan view thereof;
FIG. 8 is a bottom plan view thereof;
FIG. 9 is an enlarged fragmentary front elevational view thereof, taken along line 9-9 in FIG. 3; and,
FIG. 10 is an enlarged fragmentary rear elevational view thereof, taken along line 10-10 in FIG. 4.

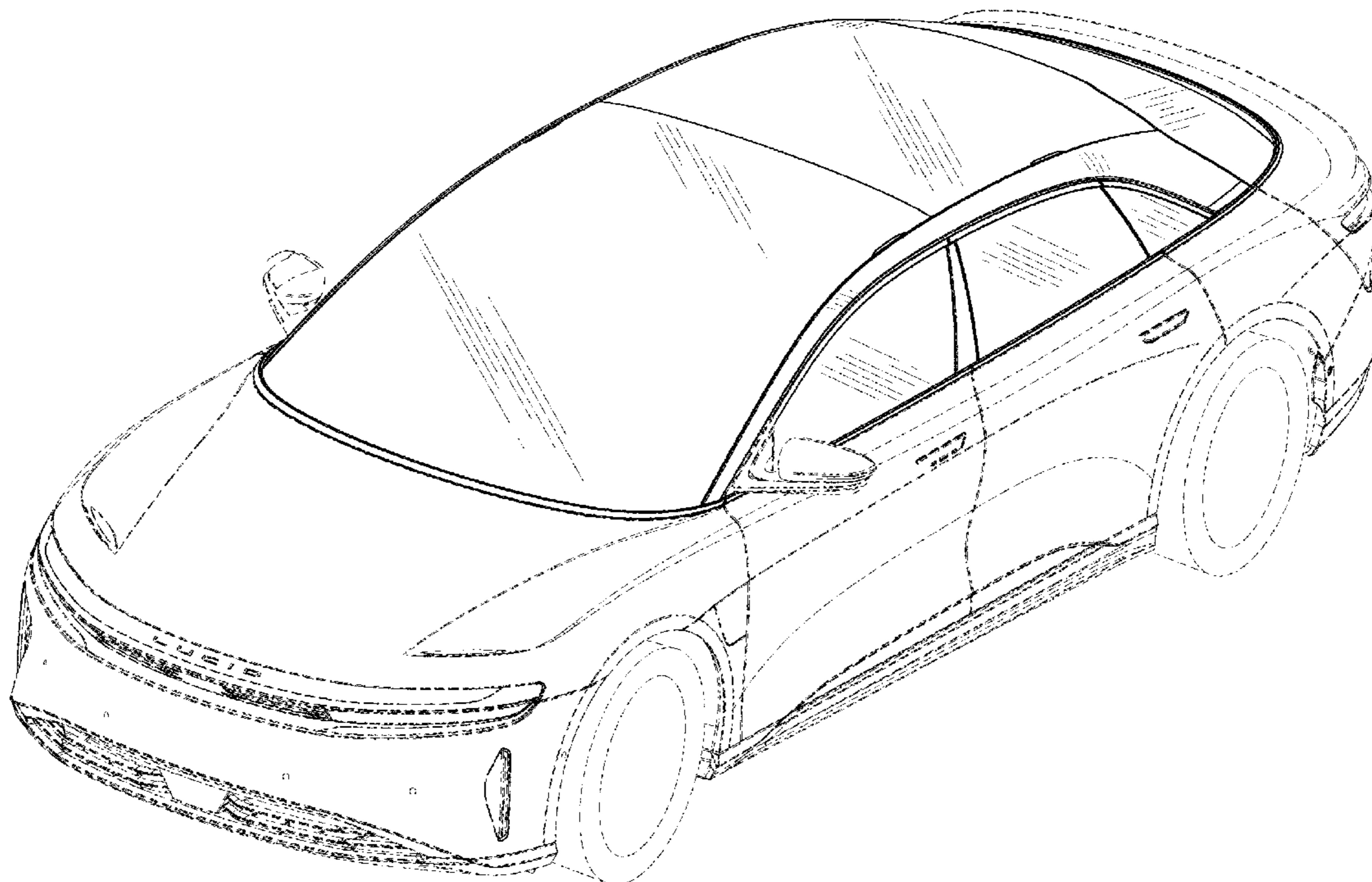
The portions of the automotive vehicle and the trademark "LUCID" shown in broken lines throughout the drawing views are for illustrative and environmental purposes and form no part of the claimed design.

(56) **References Cited**

U.S. PATENT DOCUMENTS

D803,733 S 11/2017 Cartabiano et al.
D804,357 S * 12/2017 Jeon D12/91
D809,971 S 2/2018 Lee et al.
D821,268 S * 6/2018 Kim D12/92
D835,000 S * 12/2018 Tomasson D12/91
D856,195 S * 8/2019 Kim D12/92

1 Claim, 9 Drawing Sheets



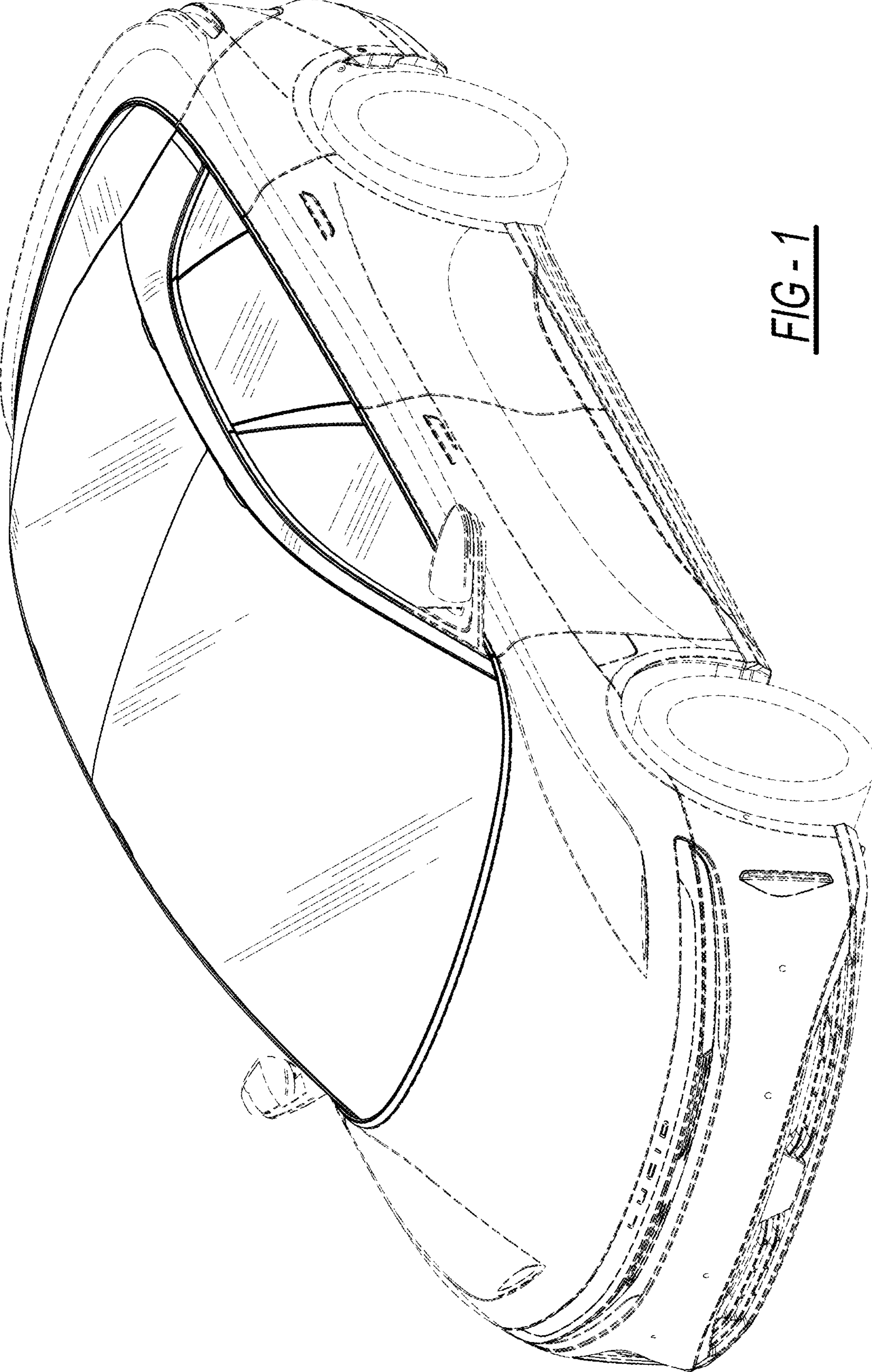


FIG - 1

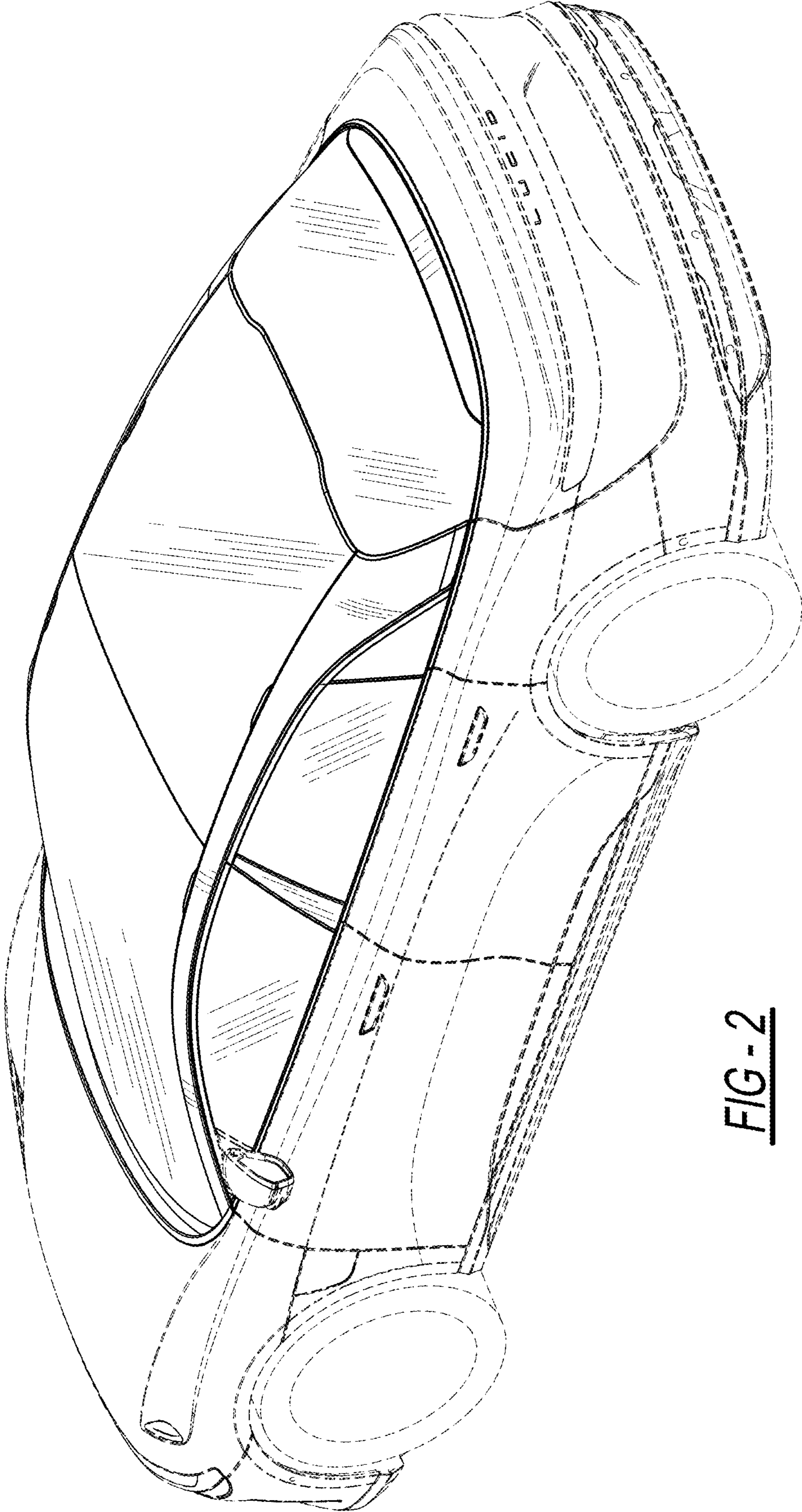


FIG - 2

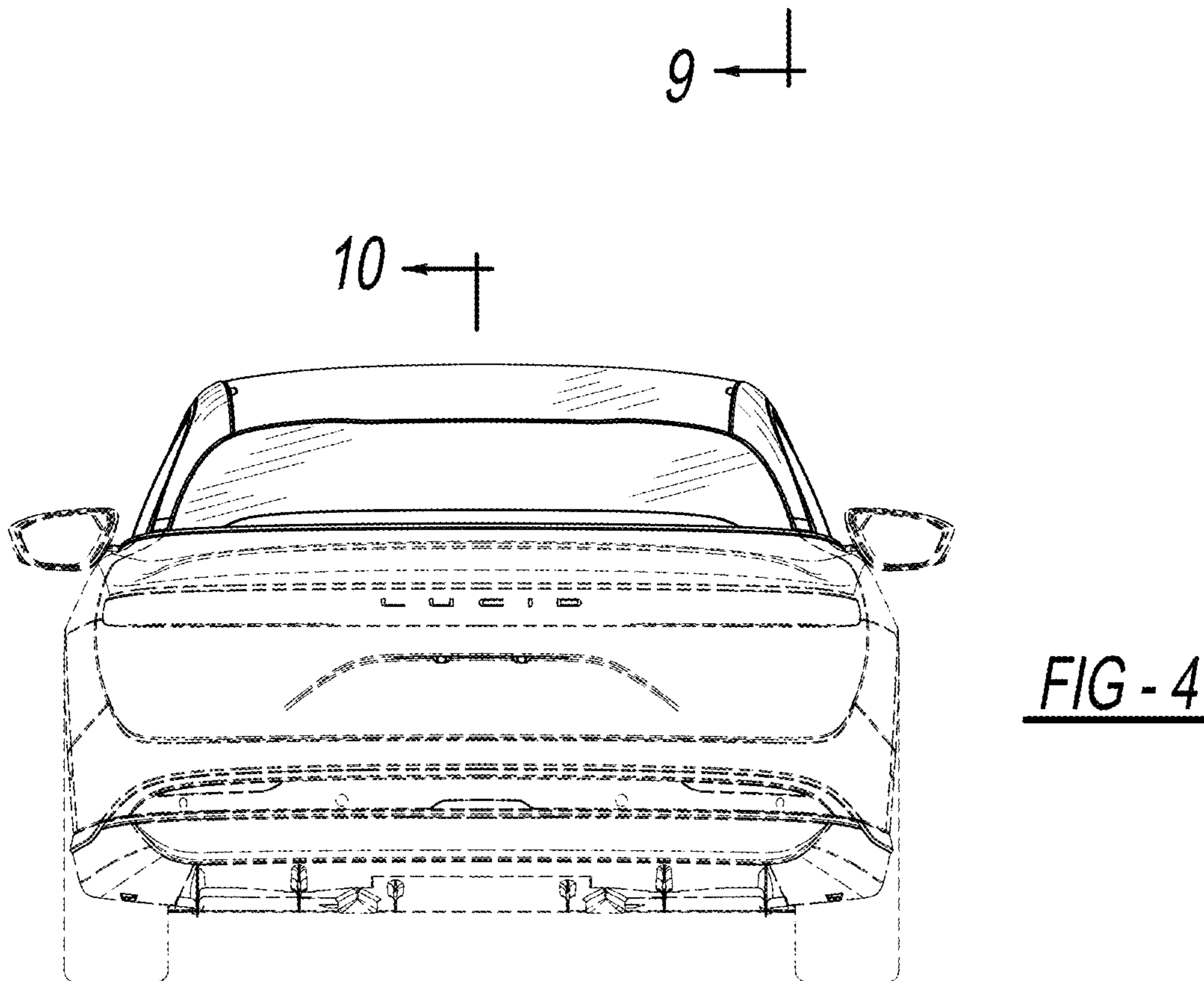
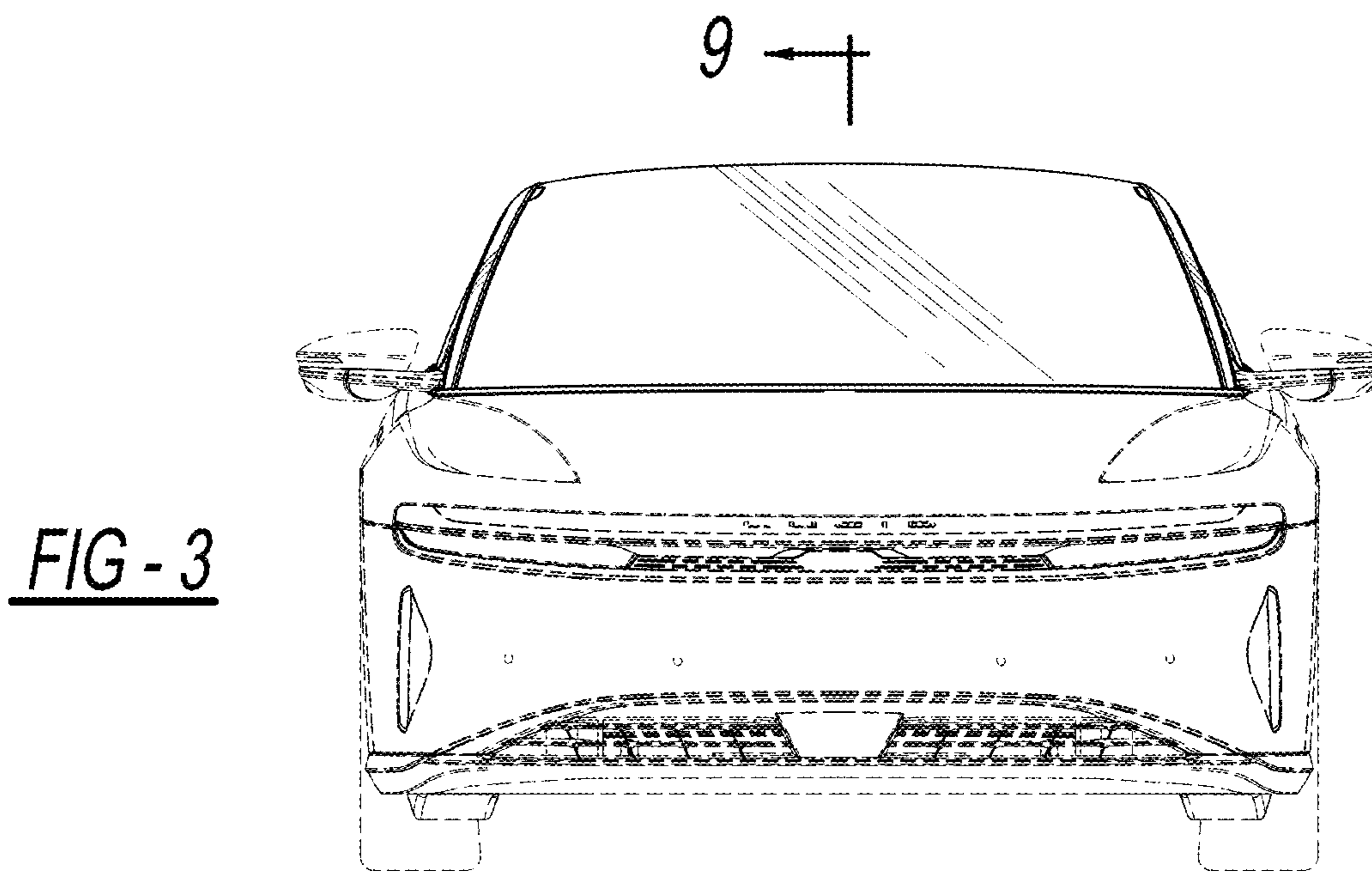


FIG - 4

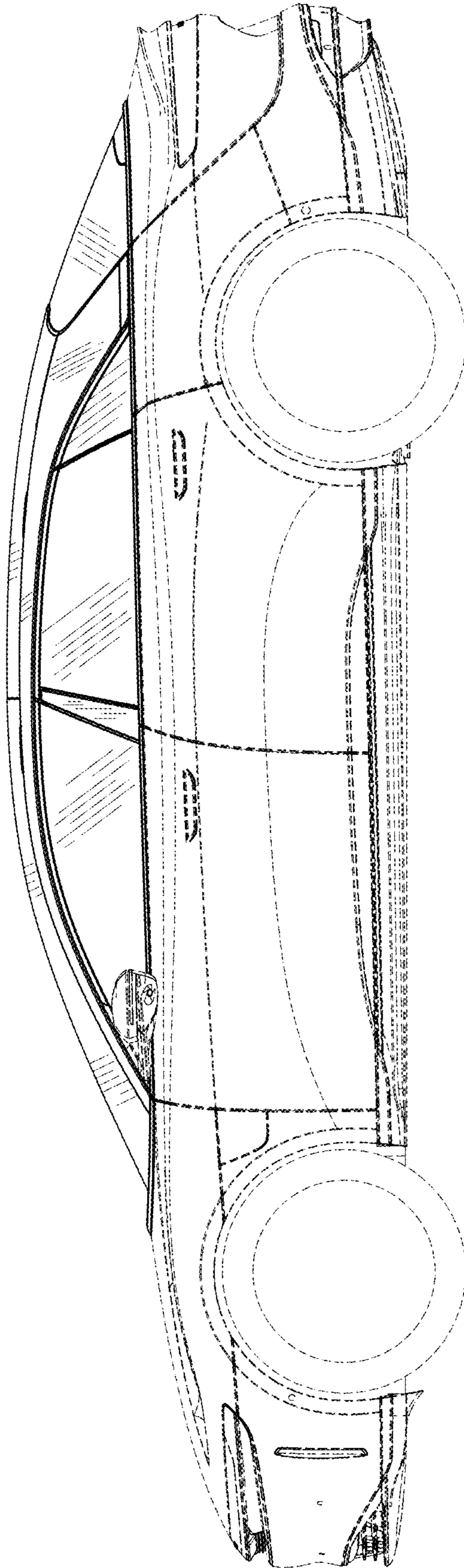


FIG - 5

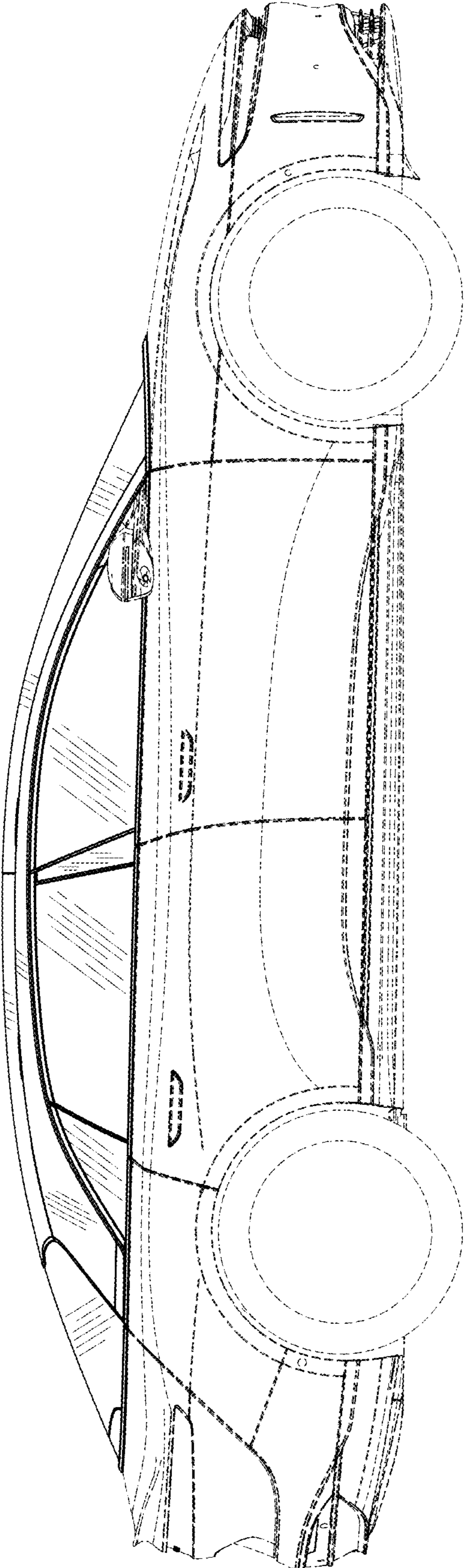


FIG - 6

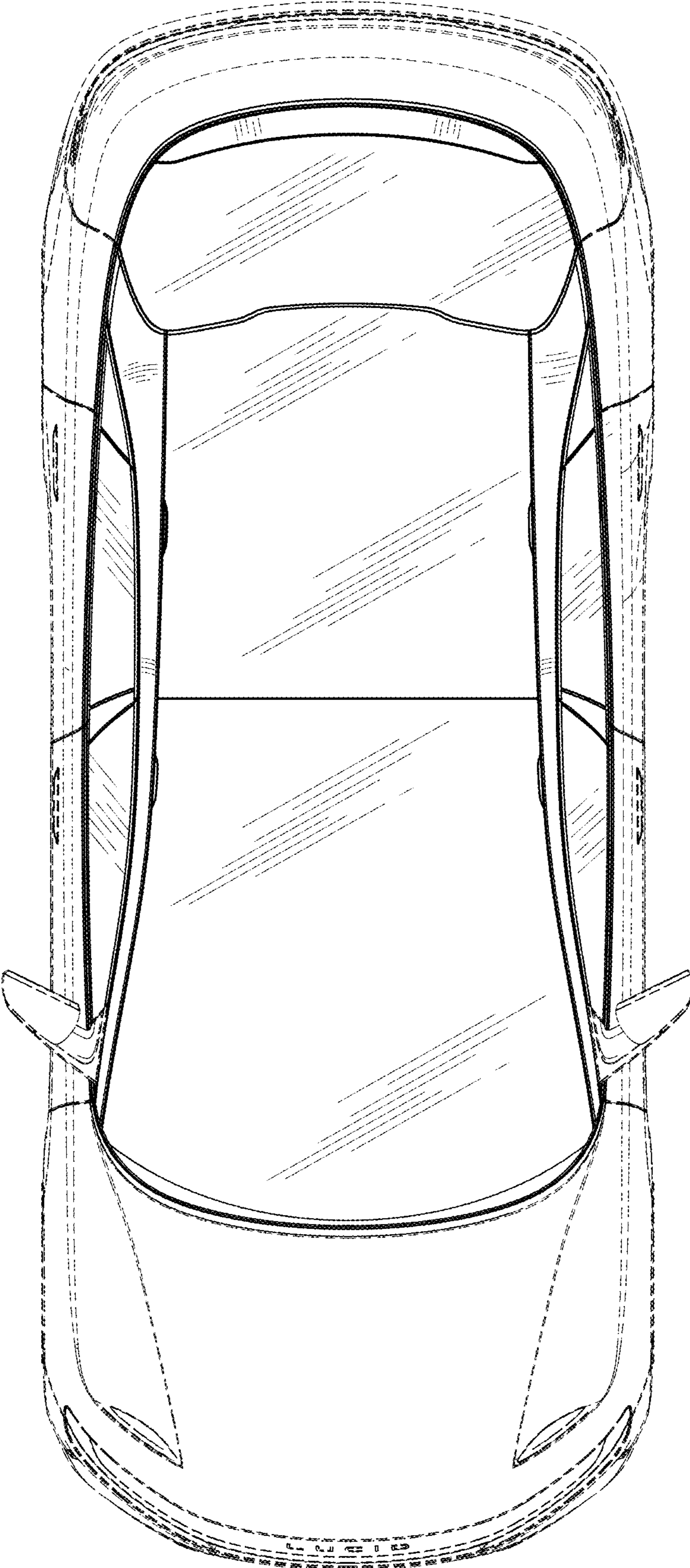


FIG - 7

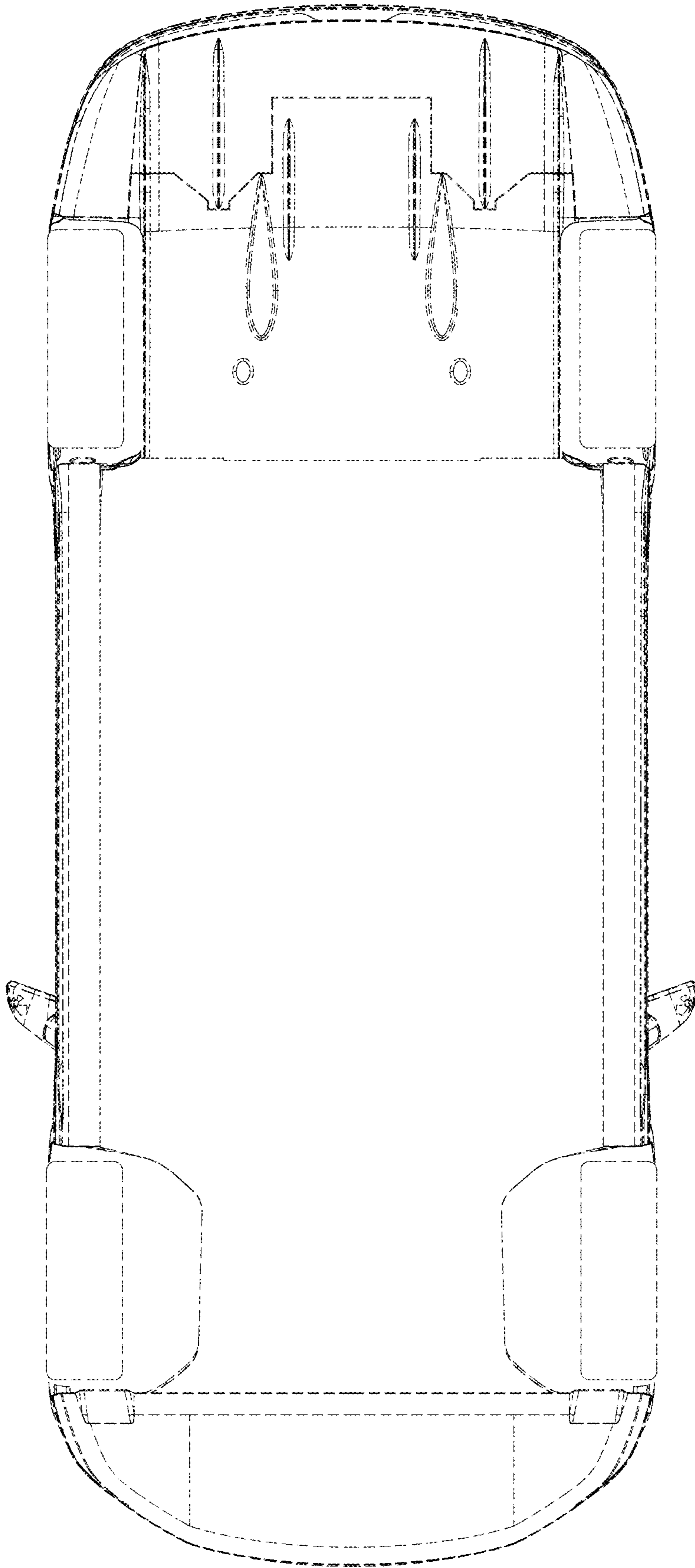


FIG - 8

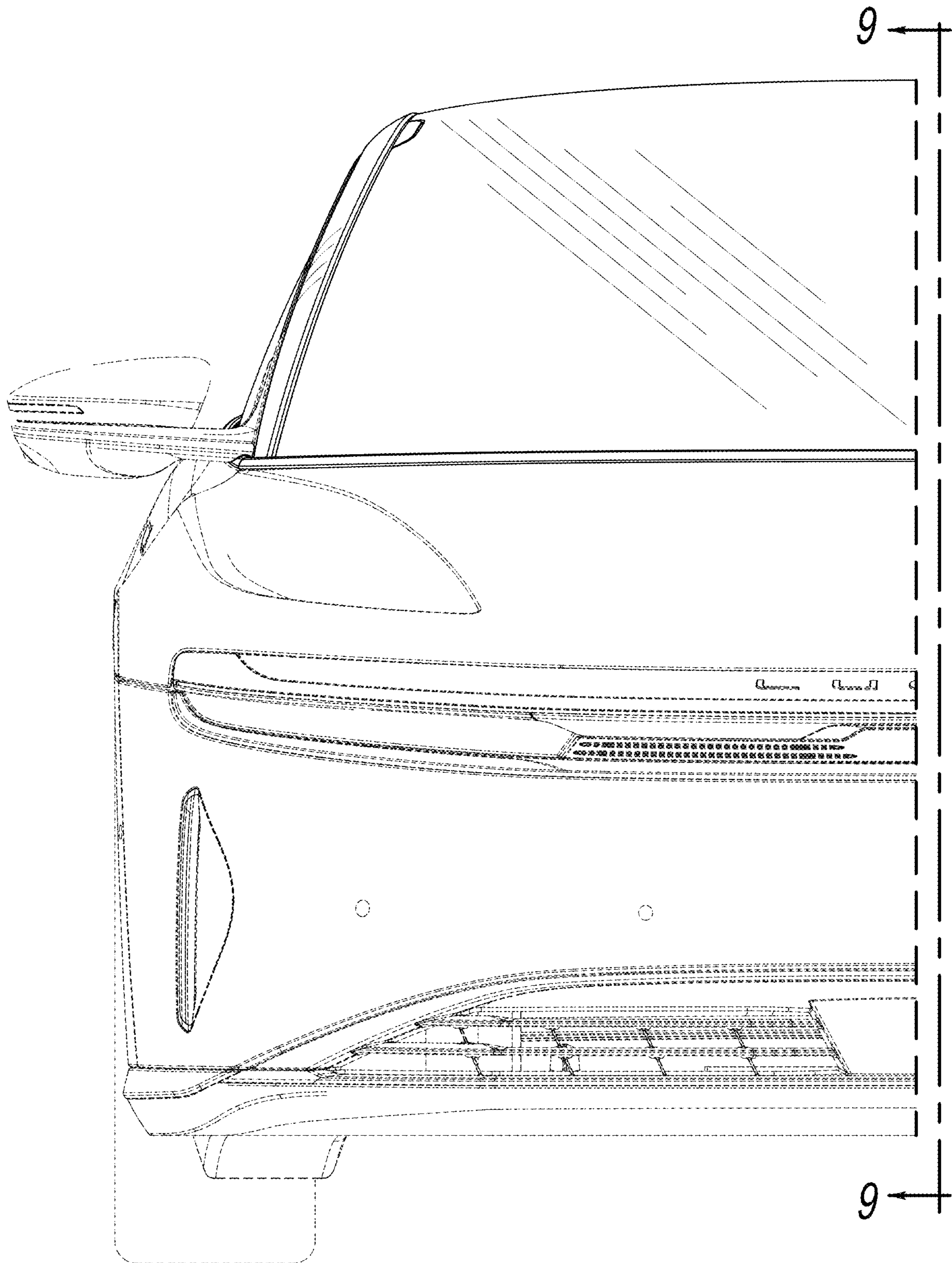


FIG - 9

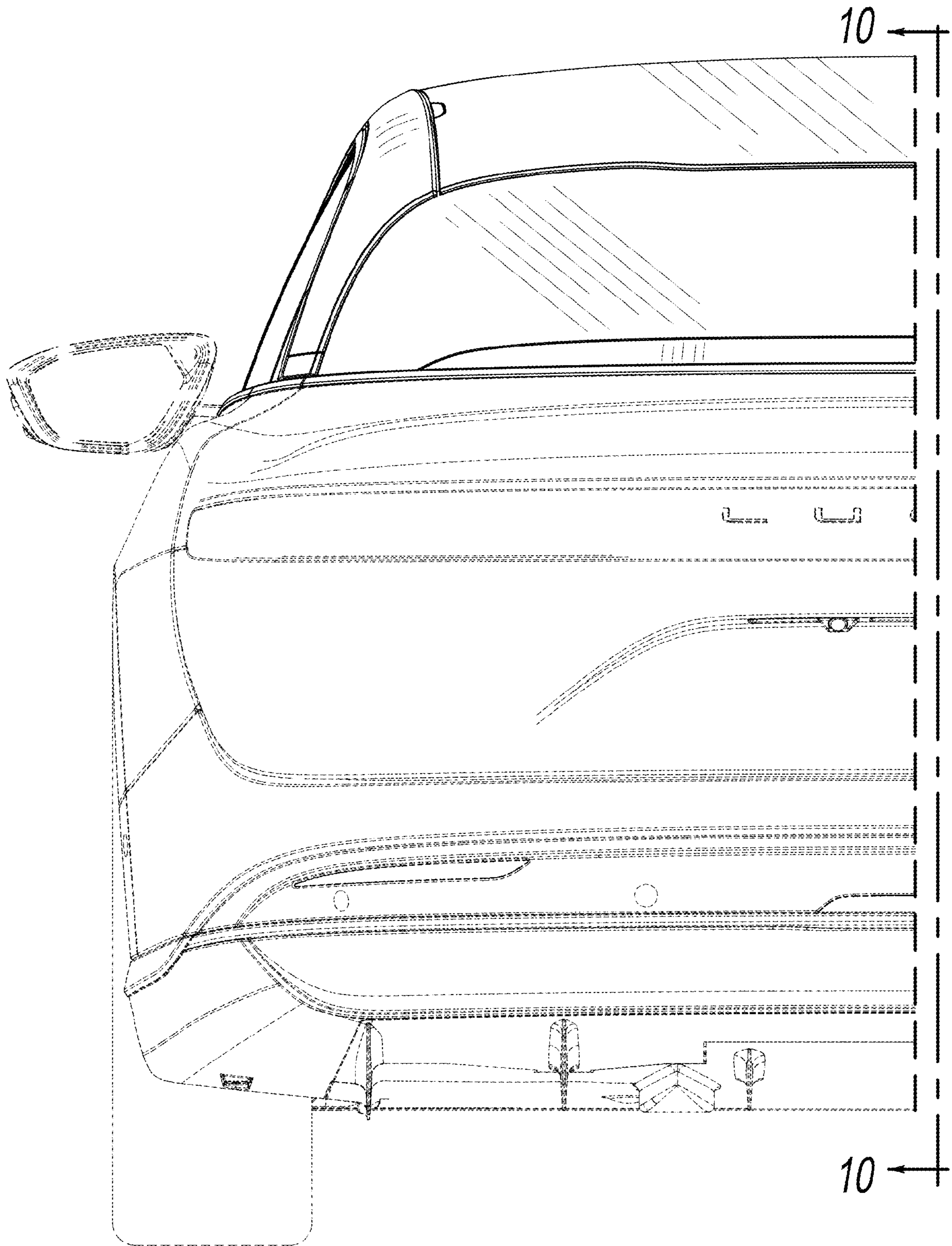


FIG - 10