

US00D966958S

(12) **United States Design Patent** (10) **Patent No.:** **US D966,958 S**  
**Gander** (45) **Date of Patent:** **\*\* Oct. 18, 2022**

- (54) **GRILLE ELEMENT**
- (71) Applicant: **Oshkosh Corporation**, Oshkosh, WI (US)
- (72) Inventor: **Jesse Gander**, Larsen, WI (US)
- (73) Assignee: **Oshkosh Corporation**, Oshkosh, WI (US)
- (\*\*) Term: **15 Years**
- (21) Appl. No.: **29/802,904**
- (22) Filed: **Aug. 9, 2021**

**Related U.S. Application Data**

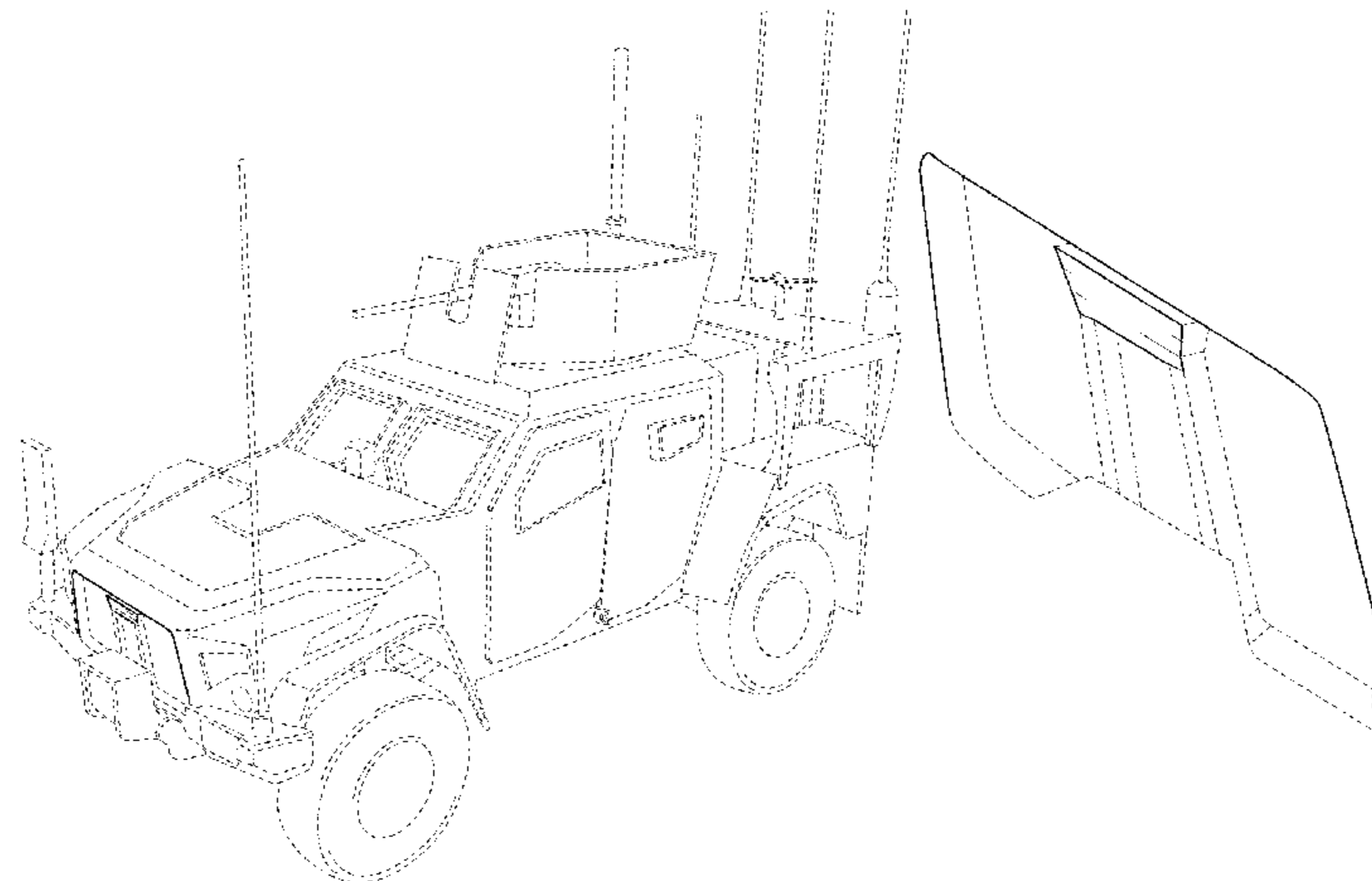
- (63) Continuation of application No. 29/750,416, filed on Sep. 14, 2020, now Pat. No. Des. 929,913, which is a continuation of application No. 29/729,772, filed on Mar. 30, 2020, now Pat. No. Des. 898,632, which is a continuation of application No. 29/706,526, filed on Sep. 20, 2019, now Pat. No. Des. 892,002, which is a continuation of application No. 29/691,172, filed on May 14, 2019, now Pat. No. Des. 863,144, which is a continuation of application No. 29/621,906, filed on Oct. 12, 2017, now Pat. No. Des. 856,860, which is a continuation of application No. 15/599,174, filed on May 18, 2017, now Pat. No. 10,434,995, which is a continuation of application No. 14/724,279, filed on May 28, 2015, now Pat. No. 9,656,640, said application No. 29/621,906 is a continuation of application No. 14/612,100, filed on Feb. 2, 2015, now Pat. No. 9,829,282, said application No. 14/724,279 is a continuation of application No. 13/841,686, filed on Mar. 15, 2013, now Pat. No. 9,045,014, said application No. 14/612,100 is a continuation of application No. 13/629,009, filed on Sep. 27, 2012, now Pat. No. 8,943,946.
- (60) Provisional application No. 61/615,812, filed on Mar. 26, 2012, provisional application No. 61/539,838, filed on Sep. 27, 2011.
- (51) **LOC (13) Cl.** ..... **12-06**

- (52) **U.S. Cl.**  
USPC ..... **D12/163**
- (58) **Field of Classification Search**  
USPC .... D12/86, 91, 93, 163, 164, 166, 167, 171, D12/172, 173, 190, 216  
CPC ..... B62D 25/08; B62B 9/16; B60K 11/08; B60R 19/52  
See application file for complete search history.

(56) **References Cited**

U.S. PATENT DOCUMENTS

815,574 A	3/1906	Wilson
1,001,863 A	8/1911	Kirkwood
1,278,460 A	9/1918	Hanger
1,376,467 A	5/1921	Simmon
1,463,569 A	7/1923	Bathrick
1,835,132 A	12/1931	Anania
1,941,582 A	1/1934	Schroeder
2,261,693 A	11/1941	Mathauer
2,628,127 A	2/1953	Palsgrove
2,632,577 A	3/1953	Sacco
2,907,575 A	10/1959	Locker
2,915,334 A	12/1959	Barenyi
2,916,997 A	12/1959	Terrie
2,997,242 A	8/1961	Grosholz
3,010,533 A	11/1961	Ross
3,021,166 A	2/1962	Kempel et al.
3,039,788 A	6/1962	Farago
3,046,045 A	7/1962	Campbell
3,083,790 A	4/1963	McAfee et al.
3,131,963 A	5/1964	Schilberg
3,146,839 A	9/1964	Carlson
3,188,966 A	6/1965	Tetlow
3,306,390 A	2/1967	Jamme
3,395,672 A	8/1968	Ruf
3,500,961 A	3/1970	Eberhardt et al.
3,590,948 A	7/1971	Milner, Jr.
3,726,308 A	4/1973	Eberhardt
3,778,115 A	12/1973	Ryburn et al.
3,881,767 A	5/1975	Klees
4,037,664 A	7/1977	Gibson
4,059,170 A	11/1977	Young
4,072,362 A	2/1978	Van Anrooy
4,084,522 A	4/1978	Younger
4,103,757 A	8/1978	McVaugh
4,153,262 A	5/1979	Diamond et al.
4,157,733 A	6/1979	Ewers et al.
4,160,492 A	7/1979	Johnston
4,185,924 A	1/1980	Graham
4,241,803 A	12/1980	Lauber



# US D966,958 S

Page 2

4,270,771 A	6/1981	Fujii	5,836,657 A	11/1998	Tilley et al.
4,280,393 A	7/1981	Giraud et al.	5,839,664 A	11/1998	Relyea
4,326,445 A	4/1982	Bemiss	RE36,196 E	4/1999	Eberhardt
4,329,109 A	5/1982	Den Bleyker	5,897,123 A	4/1999	Cherney et al.
4,337,830 A	7/1982	Eberhardt	5,899,276 A	5/1999	Relyea et al.
4,369,010 A	1/1983	Ichinose et al.	5,900,199 A	5/1999	Dickson et al.
4,373,600 A	2/1983	Buschbom et al.	5,905,225 A	5/1999	Joynt
4,395,191 A	7/1983	Kaiser	5,909,780 A	6/1999	De Andrade
4,422,685 A	12/1983	Bonfilio et al.	5,915,728 A	6/1999	Blackburn
4,456,093 A	6/1984	Finley et al.	5,915,775 A	6/1999	Martin et al.
4,492,282 A	1/1985	Appelblatt et al.	5,919,240 A	7/1999	Ney et al.
4,558,758 A	12/1985	Littman et al.	5,954,364 A	9/1999	Nechushtan
4,563,124 A	1/1986	Eskew	6,009,953 A	1/2000	Laskaris et al.
4,586,743 A	5/1986	Edwards et al.	6,015,155 A	1/2000	Brookes et al.
4,587,862 A	5/1986	Hoffman	6,036,201 A	3/2000	Pond et al.
4,655,307 A	4/1987	Lamoureux	6,101,794 A	8/2000	Christopherson et al.
4,659,104 A	4/1987	Tanaka et al.	6,105,984 A	8/2000	Schmitz et al.
4,669,744 A	6/1987	Sano et al.	6,109,684 A	8/2000	Reitnouer
4,696,489 A	9/1987	Fujishiro et al.	6,131,685 A	10/2000	Sakamoto et al.
4,709,358 A	11/1987	Appling et al.	6,149,226 A	11/2000	Hoelzel et al.
4,733,876 A	3/1988	Heider et al.	6,155,351 A	12/2000	Breedlove et al.
4,811,804 A	3/1989	Ewers et al.	6,178,746 B1	1/2001	Thoma et al.
4,826,141 A	5/1989	Buma et al.	6,220,532 B1	4/2001	Manon et al.
4,834,418 A	5/1989	Buma et al.	6,231,466 B1	5/2001	Thoma et al.
4,848,835 A	7/1989	Derees	6,270,098 B1	8/2001	Heyring et al.
4,889,395 A	12/1989	Fujita et al.	6,270,153 B1	8/2001	Toyao et al.
4,926,954 A	5/1990	Ataka et al.	6,289,995 B1	9/2001	Fuller
4,945,780 A	8/1990	Bosma	6,311,795 B1	11/2001	Skotnikov et al.
5,004,156 A	4/1991	Montanier	6,318,742 B2	11/2001	Franzini
5,010,971 A	4/1991	Hamada et al.	6,357,769 B1	3/2002	Omundson et al.
5,021,917 A	6/1991	Pike et al.	6,364,597 B2	4/2002	Klinkenberg
5,028,088 A	7/1991	Del Monico et al.	6,394,007 B2	5/2002	Lewis et al.
5,040,823 A	8/1991	Lund	6,394,534 B1	5/2002	Dean
5,054,806 A	10/1991	Chester	6,398,236 B1	6/2002	Richardson
5,076,597 A	12/1991	Korekane et al.	6,398,478 B2	6/2002	Smith et al.
5,080,392 A	1/1992	Bazergui	6,421,593 B1	7/2002	Kempen et al.
5,111,901 A	5/1992	Bachhuber et al.	6,435,071 B1	8/2002	Campbell
5,113,946 A	5/1992	Cooper	6,435,298 B1	8/2002	Mizuno et al.
5,137,101 A	8/1992	Schaeff	6,443,687 B1	9/2002	Kaiser
5,137,292 A	8/1992	Eisen	6,460,907 B2	10/2002	Usui
5,139,104 A	8/1992	Moscicki	6,503,035 B1	1/2003	Perrott
5,143,326 A	9/1992	Parks	6,516,914 B1	2/2003	Andersen et al.
5,158,614 A	10/1992	Takeuchi	6,520,494 B1	2/2003	Andersen et al.
5,169,197 A	12/1992	Underbakke et al.	6,527,494 B2	3/2003	Hurlburt
5,209,003 A	5/1993	Maxfield et al.	D473,829 S	4/2003	Hoyle, Jr.
5,211,245 A	5/1993	Relyea et al.	6,553,290 B1	4/2003	Pillar
5,217,083 A	6/1993	Bachhuber et al.	D474,430 S	5/2003	Hill et al.
5,301,756 A	4/1994	Relyea et al.	6,561,718 B1	5/2003	Archer et al.
5,314,230 A	5/1994	Hutchison et al.	6,619,673 B2	9/2003	Eckelberry et al.
5,319,436 A	6/1994	Manns et al.	6,623,020 B1	9/2003	Satou
5,322,321 A	6/1994	Yopp	6,658,984 B2	12/2003	Zonak
5,327,989 A	7/1994	Furuhashi et al.	6,692,366 B1	2/2004	Savant
5,346,334 A	9/1994	Einaru et al.	6,695,328 B2	2/2004	Cope
5,368,317 A	11/1994	McCombs et al.	6,695,566 B2	2/2004	Rodriguez Navio
5,390,945 A	2/1995	Orr	6,702,058 B2	3/2004	Ishii et al.
5,438,908 A	8/1995	Madden, Jr.	6,736,232 B1	5/2004	Bergstrom et al.
5,467,827 A	11/1995	McLoughlin	6,757,597 B2	6/2004	Yakes et al.
5,476,202 A	12/1995	Lipp	6,764,085 B1	7/2004	Anderson
5,487,323 A	1/1996	Madden, Jr.	6,769,733 B2	8/2004	Seksaria et al.
5,501,288 A	3/1996	Ducote	6,779,806 B1	8/2004	Breitbach et al.
5,533,781 A	7/1996	Williams	D497,849 S	11/2004	Yanase
5,538,185 A	7/1996	Rabitsch et al.	6,820,908 B1	11/2004	Tousi et al.
5,538,274 A	7/1996	Schmitz et al.	6,848,693 B2	2/2005	Schneider
5,549,230 A	8/1996	Palmen	6,860,332 B1	3/2005	Archer et al.
5,553,673 A	9/1996	Hackman	6,878,481 B2	4/2005	Bushong et al.
5,617,696 A	4/1997	Young	6,882,917 B2	4/2005	Pillar et al.
5,663,520 A	9/1997	Ladika et al.	6,883,815 B2	4/2005	Archer
5,670,734 A	9/1997	Middione et al.	6,885,920 B2	4/2005	Yakes et al.
5,679,918 A	10/1997	Korpi et al.	6,899,191 B1	5/2005	Lykken
5,687,669 A	11/1997	Engler	6,909,944 B2	6/2005	Pillar et al.
5,716,066 A	2/1998	Chou et al.	6,922,615 B2	7/2005	Pillar et al.
5,746,396 A	5/1998	Thorton-Trump	6,923,453 B2	8/2005	Pivac
5,752,862 A	5/1998	Mohler et al.	6,925,735 B2	8/2005	Hamm et al.
5,785,372 A	7/1998	Glatzmeier et al.	6,959,466 B2	11/2005	Alowonle et al.
5,788,158 A	8/1998	Relyea	6,976,688 B2	12/2005	Archer et al.
5,794,966 A	8/1998	MacLeod	6,993,421 B2	1/2006	Pillar et al.
5,807,056 A	9/1998	Osborn et al.	7,006,902 B2	2/2006	Archer et al.
5,820,150 A	10/1998	Archer et al.	7,024,296 B2	4/2006	Squires et al.
D400,835 S	11/1998	Le Quement et al.	D523,381 S	6/2006	Taguchi et al.

## US D966,958 S

Page 3

---

7,072,745 B2	7/2006	Pillar et al.	7,757,805 B2	7/2010	Wakuta et al.
7,073,620 B2	7/2006	Braun et al.	7,770,506 B2	8/2010	Johnson et al.
D528,482 S	9/2006	Hamburger	D623,100 S	9/2010	Bimbi
7,107,129 B2	9/2006	Rowe et al.	D623,565 S	9/2010	Cogswell
7,114,764 B1	10/2006	Barsoum et al.	7,789,010 B2	9/2010	Allor et al.
7,127,331 B2	10/2006	Pillar et al.	7,792,618 B2	9/2010	Quigley et al.
D533,485 S	12/2006	Schiavone et al.	7,802,816 B2	9/2010	McGuire
7,144,039 B2	12/2006	Kawasaki et al.	D627,686 S	11/2010	Thompson et al.
D535,589 S	1/2007	Lau et al.	7,824,293 B2	11/2010	Schimke
7,162,332 B2	1/2007	Pillar et al.	7,835,838 B2	11/2010	Pillar et al.
7,164,977 B2	1/2007	Yakes et al.	7,848,857 B2	12/2010	Nasr et al.
7,184,662 B2	2/2007	Arbel et al.	7,905,534 B2	3/2011	Boczek et al.
7,184,862 B2	2/2007	Pillar et al.	7,905,540 B2	3/2011	Kiley et al.
7,184,866 B2	2/2007	Squires et al.	7,908,959 B2	3/2011	Pavon
7,188,893 B2	3/2007	Akasaka	D636,305 S	4/2011	Alvarez et al.
7,195,306 B2	3/2007	Egawa et al.	7,931,103 B2	4/2011	Morrow et al.
7,198,130 B2	4/2007	Schimke	7,934,766 B2	5/2011	Boczek et al.
7,198,278 B2	4/2007	Donaldson	7,938,478 B2	5/2011	Kamimae
7,207,582 B2	4/2007	Siebers et al.	D642,099 S	7/2011	Nagao et al.
7,213,872 B2	5/2007	Ronacher et al.	7,997,182 B1	8/2011	Cox
7,234,534 B2	6/2007	Froland et al.	8,000,850 B2	8/2011	Nasr et al.
7,240,906 B2	7/2007	Klees	D646,203 S	10/2011	Thompson et al.
7,246,835 B1	7/2007	Colburn et al.	D646,607 S	10/2011	Verhee et al.
7,254,468 B2	8/2007	Pillar et al.	8,029,021 B2	10/2011	Leonard et al.
7,258,194 B2	8/2007	Braun et al.	8,033,208 B2	10/2011	Joynt et al.
7,267,394 B1	9/2007	Mouch et al.	D649,908 S	12/2011	Mullen
7,270,346 B2	9/2007	Rowe et al.	D649,909 S	12/2011	Mullen
7,274,976 B2	9/2007	Rowe et al.	8,095,247 B2	1/2012	Pillar et al.
D552,522 S	10/2007	Sandy et al.	8,096,225 B1	1/2012	Johnson et al.
7,277,782 B2	10/2007	Yakes et al.	8,123,645 B2	2/2012	Schimke
7,281,600 B2	10/2007	Chernoff et al.	D655,226 S	3/2012	Hanson et al.
7,288,920 B2	10/2007	Bushong et al.	8,139,109 B2	3/2012	Schmiedel et al.
7,302,320 B2	11/2007	Nasr et al.	8,146,477 B2	4/2012	Joynt
7,306,069 B2	12/2007	Takeshima et al.	8,146,478 B2	4/2012	Joynt et al.
D561,665 S	2/2008	Thomas et al.	D661,231 S	6/2012	Galante et al.
7,329,161 B2	2/2008	Roering	8,205,703 B2	6/2012	Halliday
D563,289 S	3/2008	Pfeiffer	D662,865 S	7/2012	Van Braeckel
7,357,203 B2	4/2008	Morrow et al.	8,333,390 B2	12/2012	Linsmeier et al.
D568,217 S	5/2008	Tomatsu et al.	8,347,775 B2	1/2013	Altenhof et al.
7,377,549 B2	5/2008	Hasegawa et al.	8,376,077 B2	2/2013	Venton-Walters
7,379,797 B2	5/2008	Nasr et al.	8,402,878 B2	3/2013	Schreiner et al.
7,380,800 B2	6/2008	Klees	8,413,567 B2	4/2013	Luther et al.
7,392,122 B2	6/2008	Pillar et al.	8,413,568 B2	4/2013	Kosheleff
7,393,016 B2	7/2008	Mitsui et al.	8,424,443 B2	4/2013	Gonzalez
7,406,909 B2	8/2008	Shah et al.	8,430,196 B2	4/2013	Halliday
7,412,307 B2	8/2008	Pillar et al.	D683,675 S	6/2013	Munson et al.
7,419,021 B2	9/2008	Morrow et al.	8,459,619 B2	6/2013	Trinh et al.
7,425,891 B2	9/2008	Colburn et al.	8,465,025 B2	6/2013	Venton-Walters et al.
7,439,711 B2	10/2008	Bolton	D686,121 S	7/2013	McCabe et al.
7,441,615 B2	10/2008	Borroni-Bird et al.	8,561,735 B2	10/2013	Morrow et al.
7,441,809 B1	10/2008	Coombs et al.	8,578,834 B2	11/2013	Tunis et al.
7,448,460 B2	11/2008	Morrow et al.	8,596,183 B2	12/2013	Coltrane
7,451,028 B2	11/2008	Pillar et al.	8,596,648 B2	12/2013	Venton-Walters et al.
7,472,914 B2	1/2009	Anderson et al.	8,601,931 B2	12/2013	Naroditsky et al.
7,472,919 B2	1/2009	Pratt et al.	8,616,617 B2	12/2013	Sherbeck et al.
7,510,235 B2	3/2009	Kobayashi et al.	D698,281 S	1/2014	Badstuebner et al.
7,520,354 B2	4/2009	Morrow et al.	8,635,776 B2	1/2014	Newberry et al.
7,522,979 B2	4/2009	Pillar	8,667,880 B1	3/2014	Derman
7,555,369 B2	6/2009	Pillar et al.	D702,615 S	4/2014	Conway et al.
D597,002 S	7/2009	Jamieson et al.	D703,119 S	4/2014	Platto et al.
7,594,561 B2	9/2009	Hass et al.	8,714,592 B1	5/2014	Thoreson et al.
7,611,153 B2	11/2009	Kim et al.	8,746,741 B2	6/2014	Gonzalez
7,611,154 B2	11/2009	Delaney	8,764,029 B2	7/2014	Venton-Walters et al.
7,618,063 B2	11/2009	Takeshima et al.	8,770,086 B2	7/2014	Enck
7,624,835 B2	12/2009	Bowers	8,801,017 B2	8/2014	Ellifson et al.
7,624,995 B2	12/2009	Barbison	D714,476 S	9/2014	Lai
7,641,268 B2	1/2010	Goffart et al.	8,863,884 B2	10/2014	Jacob-Lloyd
7,681,892 B1	3/2010	Crews et al.	8,876,133 B2	11/2014	Ellifson
7,689,332 B2	3/2010	Yakes et al.	D718,683 S	12/2014	Thole et al.
7,695,053 B1	4/2010	Boczek et al.	8,905,164 B1	12/2014	Capouellez et al.
7,699,385 B2	4/2010	Kurata	8,921,130 B2	12/2014	Kundaliya et al.
7,711,460 B2	5/2010	Yakes et al.	8,943,946 B1	2/2015	Richmond et al.
7,715,962 B2	5/2010	Rowe et al.	8,944,497 B2	2/2015	Dryselius et al.
7,725,225 B2	5/2010	Pillar et al.	8,947,531 B2	2/2015	Fischer et al.
D617,255 S	6/2010	Tezak et al.	8,955,859 B1	2/2015	Richmond et al.
7,726,429 B2	6/2010	Suzuki	8,960,068 B2	2/2015	Jacquemont et al.
7,729,831 B2	6/2010	Pillar et al.	D725,555 S	3/2015	Wolff et al.
D619,062 S	7/2010	Improta	8,967,699 B1	3/2015	Richmond et al.
7,756,621 B2	7/2010	Pillar et al.	8,991,834 B2	3/2015	Venton-Walters et al.

US D966,958 S

8,991,840	B2	3/2015	Zuleger et al.	D850,676	S	6/2019	Lin
9,016,703	B2	4/2015	Rowe et al.	D853,285	S	7/2019	Yang
D728,435	S	5/2015	Hanson et al.	D856,860	S	8/2019	Gander
9,045,014	B1	6/2015	Verhoff et al.	10,369,860	B2	8/2019	Ellifson et al.
D735,625	S	8/2015	Mays et al.	10,392,056	B2	8/2019	Perron et al.
D739,317	S	9/2015	McMahan et al.	D859,226	S	9/2019	Grooms
D740,187	S	10/2015	Jamieson	D860,887	S	9/2019	Gander et al.
9,156,507	B1	10/2015	Reed	10,421,332	B2	9/2019	Venton-Walters et al.
D742,287	S	11/2015	Hanson et al.	D862,752	S	10/2019	Lai
D743,308	S	11/2015	Hanson et al.	D863,144	S	10/2019	Gander
D743,856	S	11/2015	Ma	D864,031	S	10/2019	Gander et al.
9,174,686	B1	11/2015	Messina et al.	D864,802	S	10/2019	Davis et al.
D745,986	S	12/2015	Gorsten Schuenemann et al.	10,434,995	B2	10/2019	Verhoff et al.
9,221,496	B2	12/2015	Barr et al.	10,435,026	B2	10/2019	Shively et al.
D749,464	S	2/2016	Giolito	D865,601	S	11/2019	Goodrich et al.
9,291,230	B2	3/2016	Ellifson et al.	D869,332	S	12/2019	Gander et al.
D754,039	S	4/2016	Behmer et al.	10,495,419	B1	12/2019	Krueger et al.
9,303,715	B2	4/2016	Dillman et al.	10,609,874	B1	4/2020	Shumaker
9,327,576	B2	5/2016	Ellifson	10,611,203	B1	4/2020	Rositch et al.
9,328,986	B1	5/2016	Pennau et al.	10,611,204	B1	4/2020	Zhang et al.
9,329,000	B1	5/2016	Richmond et al.	10,619,696	B2	4/2020	Dillman et al.
9,358,879	B1	6/2016	Bennett	10,632,805	B1	4/2020	Rositch et al.
9,366,507	B1	6/2016	Richmond et al.	D883,876	S	5/2020	Beasley et al.
D762,148	S	7/2016	Platto et al.	D885,281	S	5/2020	Duncan et al.
9,409,471	B2	8/2016	Hoppe et al.	D887,050	S	6/2020	Lin
9,420,203	B2	8/2016	Broggi et al.	D888,629	S	6/2020	Gander et al.
D765,566	S	9/2016	Vena et al.	D891,331	S	7/2020	Dickman et al.
D768,320	S	10/2016	Lai	D892,002	S	8/2020	Gander
D769,160	S	10/2016	Platto et al.	D893,066	S	8/2020	Lin
D772,768	S	11/2016	Chiang	D894,063	S	8/2020	Dionisopoulos et al.
9,492,695	B2	11/2016	Betz et al.	D894,442	S	8/2020	Lin
D774,994	S	12/2016	Aleman et al.	10,752,075	B1	8/2020	Shukla et al.
D775,021	S	12/2016	Harriton et al.	D897,010	S	9/2020	Momokawa
D776,003	S	1/2017	Lee et al.	10,759,251	B1	9/2020	Zuleger
D777,220	S	1/2017	Powell	D898,244	S	10/2020	Badstuebner et al.
D777,615	S	1/2017	Hanson et al.	D898,632	S	10/2020	Gander
D778,217	S	2/2017	Ito et al.	D899,979	S	10/2020	Hamilton et al.
D782,711	S	3/2017	Dunshee et al.	D902,096	S	11/2020	Gander et al.
D784,219	S	4/2017	Jung	D902,807	S	11/2020	Ruiz
D787,993	S	5/2017	McCabe et al.	D902,809	S	11/2020	Hunwick
9,650,005	B2	5/2017	Patelczyk et al.	D904,227	S	12/2020	Bracy
9,656,640	B1	5/2017	Verhoff et al.	D904,240	S	12/2020	Heilaneh et al.
D789,840	S	6/2017	Curic et al.	D906,902	S	1/2021	Duncan et al.
D790,409	S	6/2017	Baste	D908,935	S	1/2021	Lin
9,688,112	B2	6/2017	Venton-Walters et al.	D909,639	S	2/2021	Chen
D791,987	S	7/2017	Lin	D909,641	S	2/2021	Chen
9,707,869	B1	7/2017	Messina et al.	D909,644	S	2/2021	Chen
D794,853	S	8/2017	Lai	D909,934	S	2/2021	Gander et al.
9,738,186	B2	8/2017	Krueger et al.	D910,502	S	2/2021	Duncan et al.
D796,715	S	9/2017	Lin	10,906,396	B1	2/2021	Schimke et al.
D797,332	S	9/2017	Lin	D911,883	S *	3/2021	Bae ..... D12/163
D797,603	S	9/2017	Noone et al.	D915,252	S	4/2021	Duncan et al.
D802,491	S	11/2017	Mainville	10,978,039	B2	4/2021	Seffernick et al.
D804,065	S	11/2017	Lai	10,981,538	B2	4/2021	Archer et al.
9,809,080	B2	11/2017	Ellifson et al.	10,987,829	B2	4/2021	Datema et al.
9,829,282	B1	11/2017	Richmond et al.	D922,916	S *	6/2021	Koo ..... D12/163
D804,372	S	12/2017	Kozub	D924,740	S *	7/2021	Zhao ..... D12/163
D805,965	S	12/2017	Davis	D925,416	S	7/2021	Duncan et al.
D805,968	S	12/2017	Piscitelli et al.	D926,642	S *	8/2021	Duncan ..... D12/163
D813,757	S	3/2018	Kozub	D928,672	S	8/2021	Gander et al.
D813,758	S	3/2018	Gonzales	D929,913	S	9/2021	Gander
D815,574	S	4/2018	Mainville	D930,862	S	9/2021	Gander et al.
D818,885	S	5/2018	Seo	D932,397	S	10/2021	Kaneko et al.
D820,179	S	6/2018	Kladde	D933,545	S *	10/2021	Piaskowski ..... D12/163
D823,182	S	7/2018	Yates	D933,547	S *	10/2021	Hamilton ..... D12/163
D823,183	S	7/2018	Yates	D934,745	S *	11/2021	Kentley-Klay ..... D12/163
D824,294	S	7/2018	Ge et al.	D935,962	S	11/2021	Grand
10,023,243	B2	7/2018	Hines et al.	D936,529	S *	11/2021	Tang ..... D12/163
10,030,737	B2	7/2018	Dillman et al.	11,173,959	B2	11/2021	Chalifour
D824,811	S	8/2018	Mainville	11,181,345	B2	11/2021	Krueger et al.
D824,814	S	8/2018	Heyde	D939,393	S *	12/2021	Jevremovic ..... D12/163
D827,410	S	9/2018	Earley	D940,605	S *	1/2022	Sheffield ..... D12/163
D828,258	S	9/2018	Zipfel	D940,607	S *	1/2022	Park ..... D12/163
D830,242	S	10/2018	Zipfel	D941,195	S *	1/2022	Koo ..... D12/163
D837,106	S	1/2019	Yang	D944,136	S *	2/2022	De Leon ..... D12/163
D837,702	S	1/2019	Gander et al.	2001/0015559	A1	8/2001	Storer
10,184,553	B2	1/2019	Kwiatkowski et al.	2002/0103580	A1	8/2002	Yakes et al.
D843,281	S	3/2019	Gander et al.	2002/0119364	A1	8/2002	Bushong et al.
D849,283	S	5/2019	Lin	2002/0129696	A1	9/2002	Pek et al.





Miller, Stephen W., "The MRAP Story: Learning from History", Asian Military Review, Oct. 30, 2018, 9 pages.

Vehicle Headlights. (Design—?Questel) orbit.com. [online PDF] 38 pgs. Print Dates Range Mar. 19, 2021-May 23, 2019 [Retrieved Apr. 23, 2021].

U.S. Appl. No. 13/629,009, filed Sep. 27, 2012; U.S. Appl. No. 13/841,686, filed Mar. 15, 2013.

U.S. Appl. No. 14/612,100, filed Feb. 2, 2015; U.S. Appl. No. 14/724,279, filed May 28, 2015.

U.S. Appl. No. 15/599,174, filed May 18, 2017; U.S. Appl. No. 29/621,906, filed Oct. 12, 2017.

U.S. Appl. No. 29/691,172, filed May 14, 2019; U.S. Appl. No. 29/706,526, filed Sep. 20, 2019.

\* cited by examiner

*Primary Examiner* — Manpreet S Matharu

*Assistant Examiner* — Suzanne E Tisdell

(74) *Attorney, Agent, or Firm* — Foley & Lardner LLP

(57)

**CLAIM**

I claim the ornamental design for a grille element, as shown and described.

**DESCRIPTION**

FIG. 1 is a front perspective view of the claimed design;

FIG. 2 is a front view thereof;

FIG. 3 is a rear view thereof;

FIG. 4 is a left side view thereof;

FIG. 5 is a right side view thereof;

FIG. 6 is a top view thereof;

FIG. 7 is a bottom view thereof;

FIG. 8 is a second front perspective view thereof; and,

FIG. 9 is a detailed front perspective view thereof.

The ornamental design that is claimed is shown in solid lines in the figures. Evenly-spaced broken lines depict unclaimed environmental subject matter. Dot-dash broken lines depict unclaimed boundaries of the claimed design.

**1 Claim, 9 Drawing Sheets**

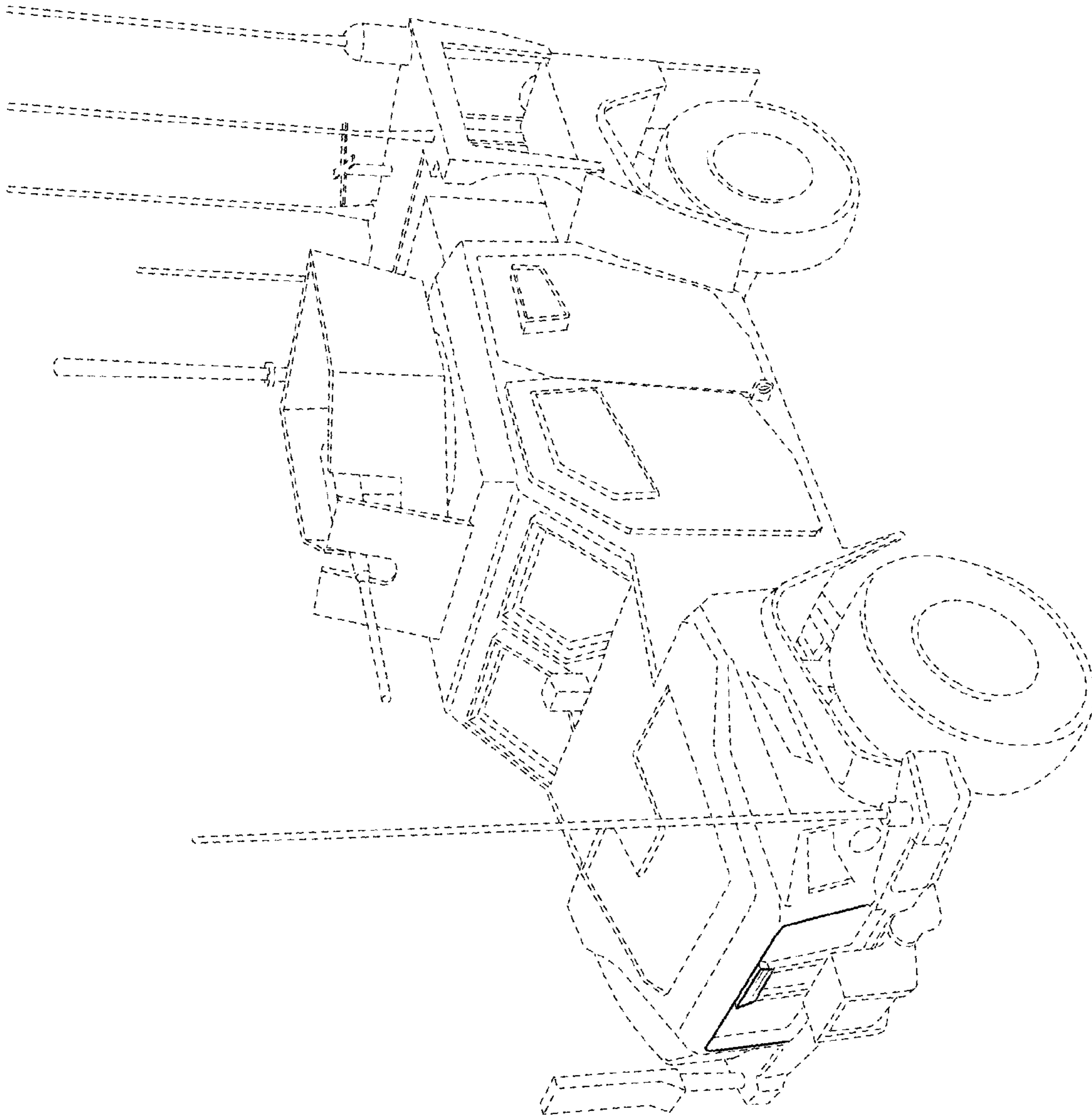


FIG. 1



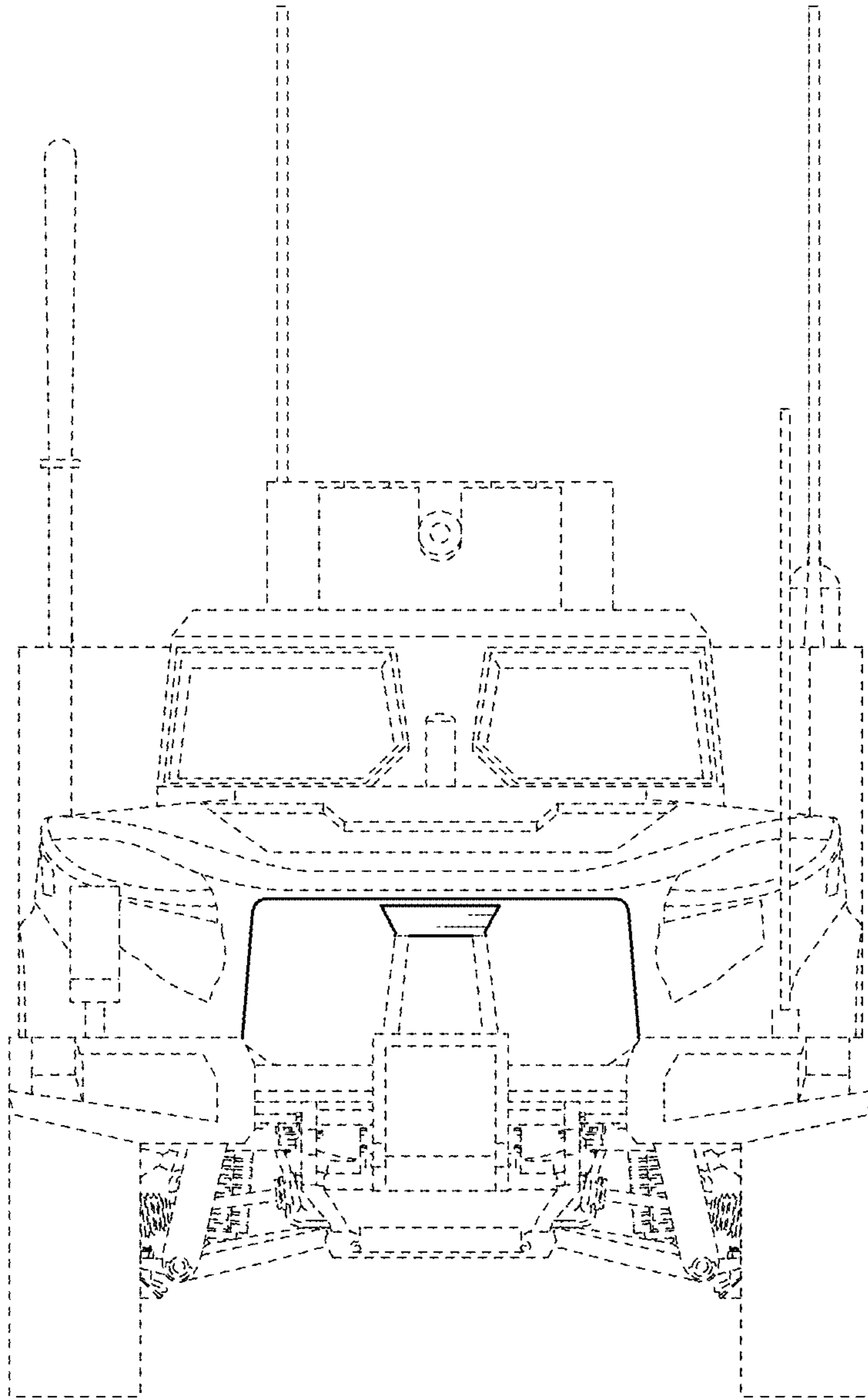


FIG. 2

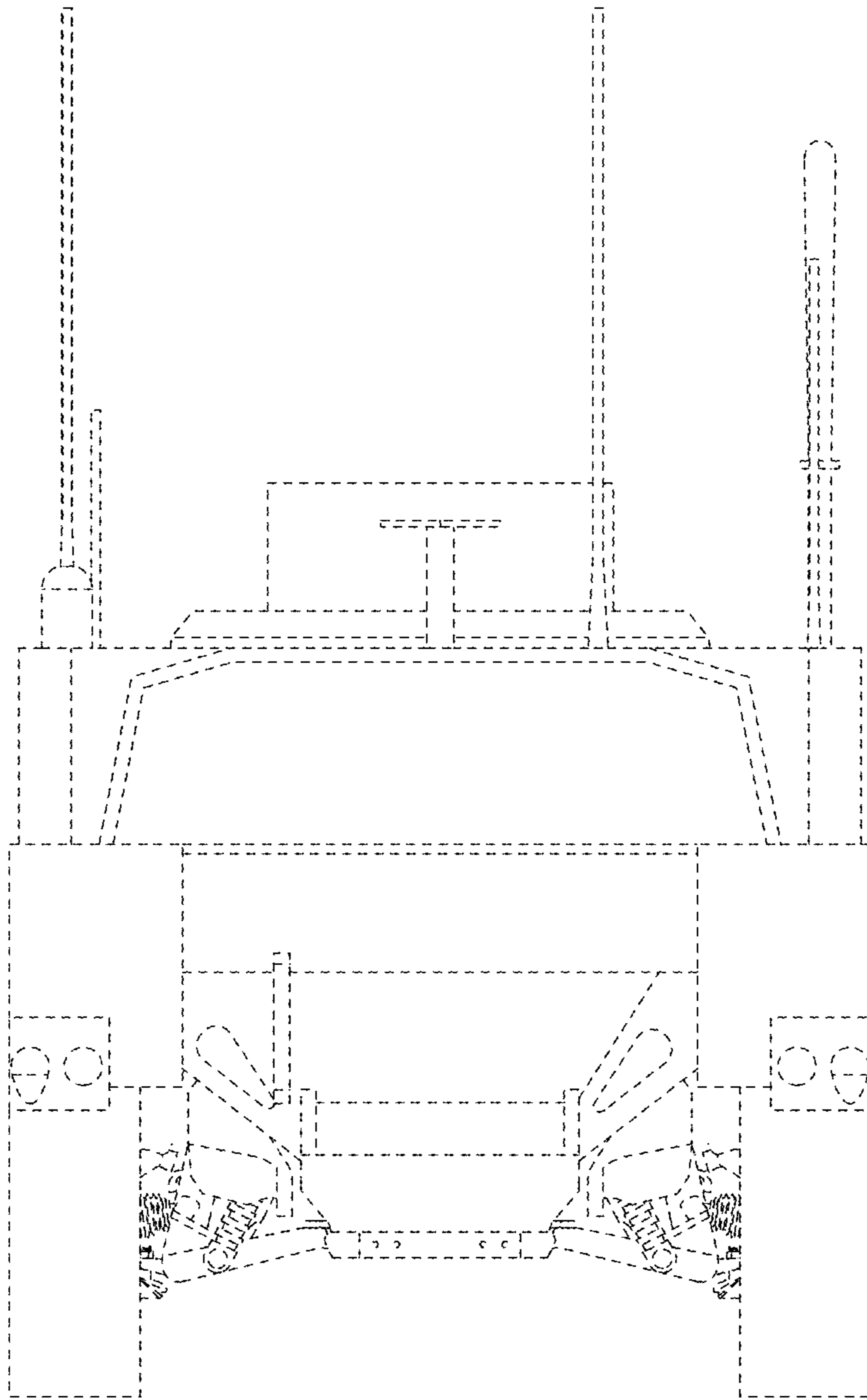


FIG. 3

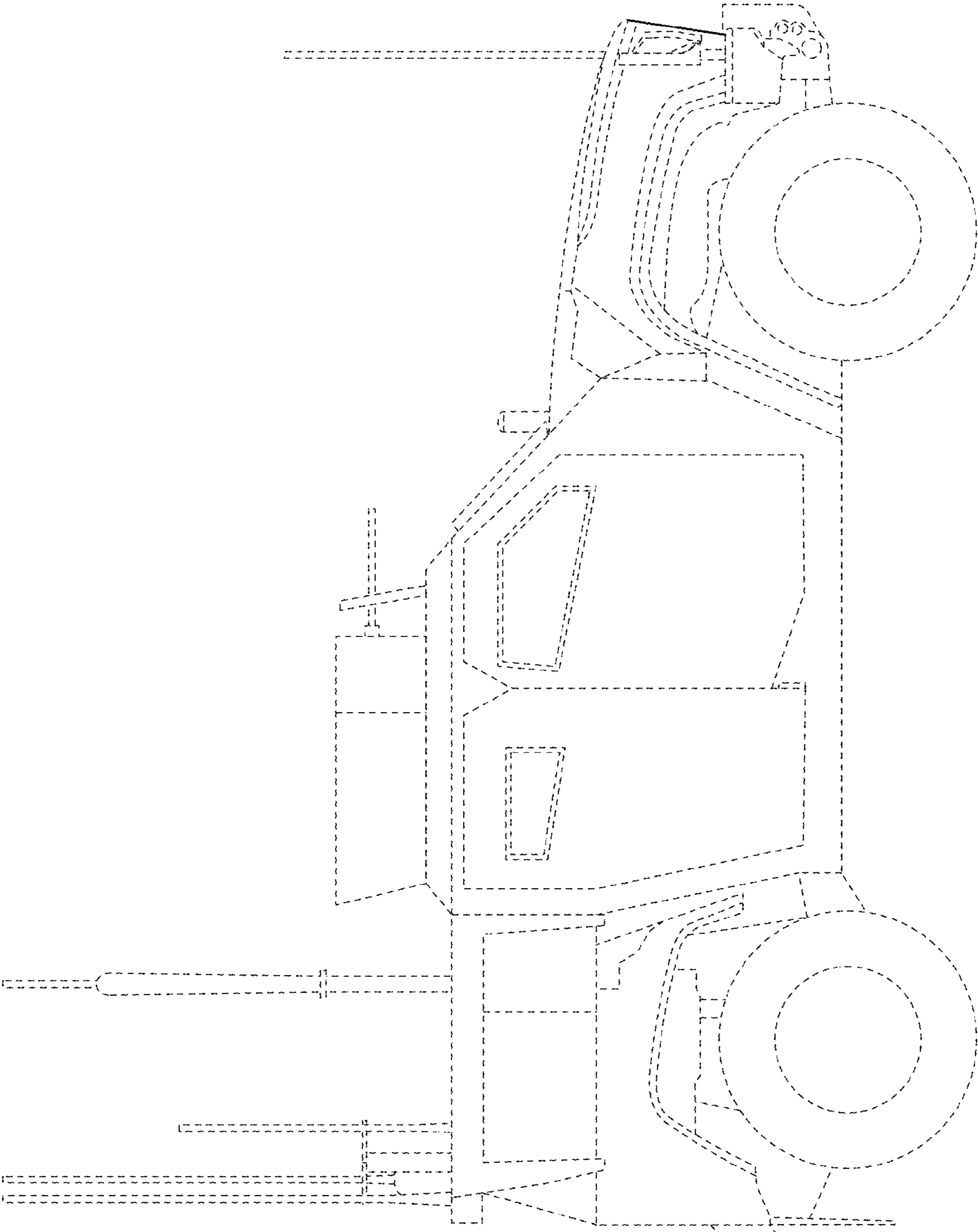


FIG. 4

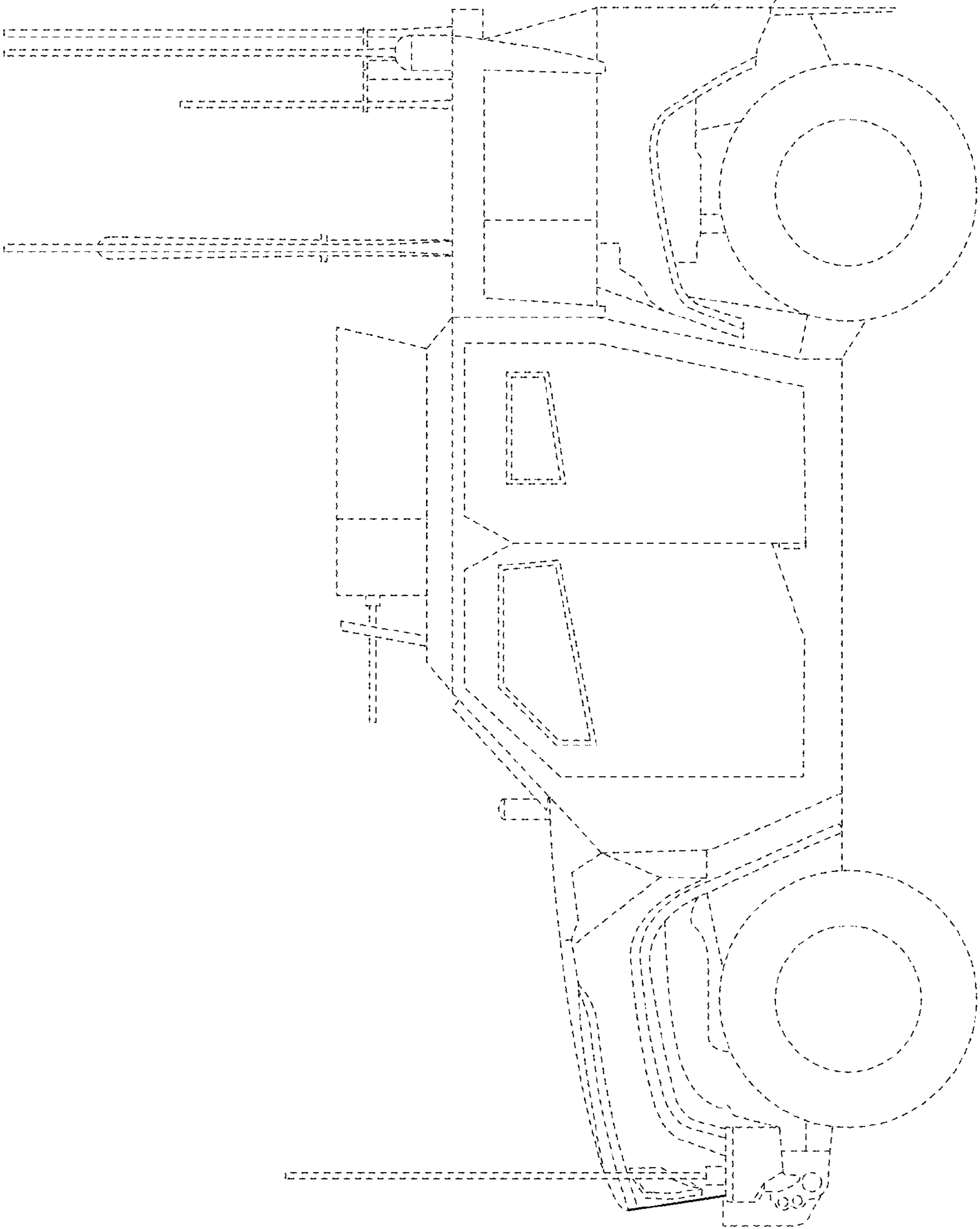


FIG. 5

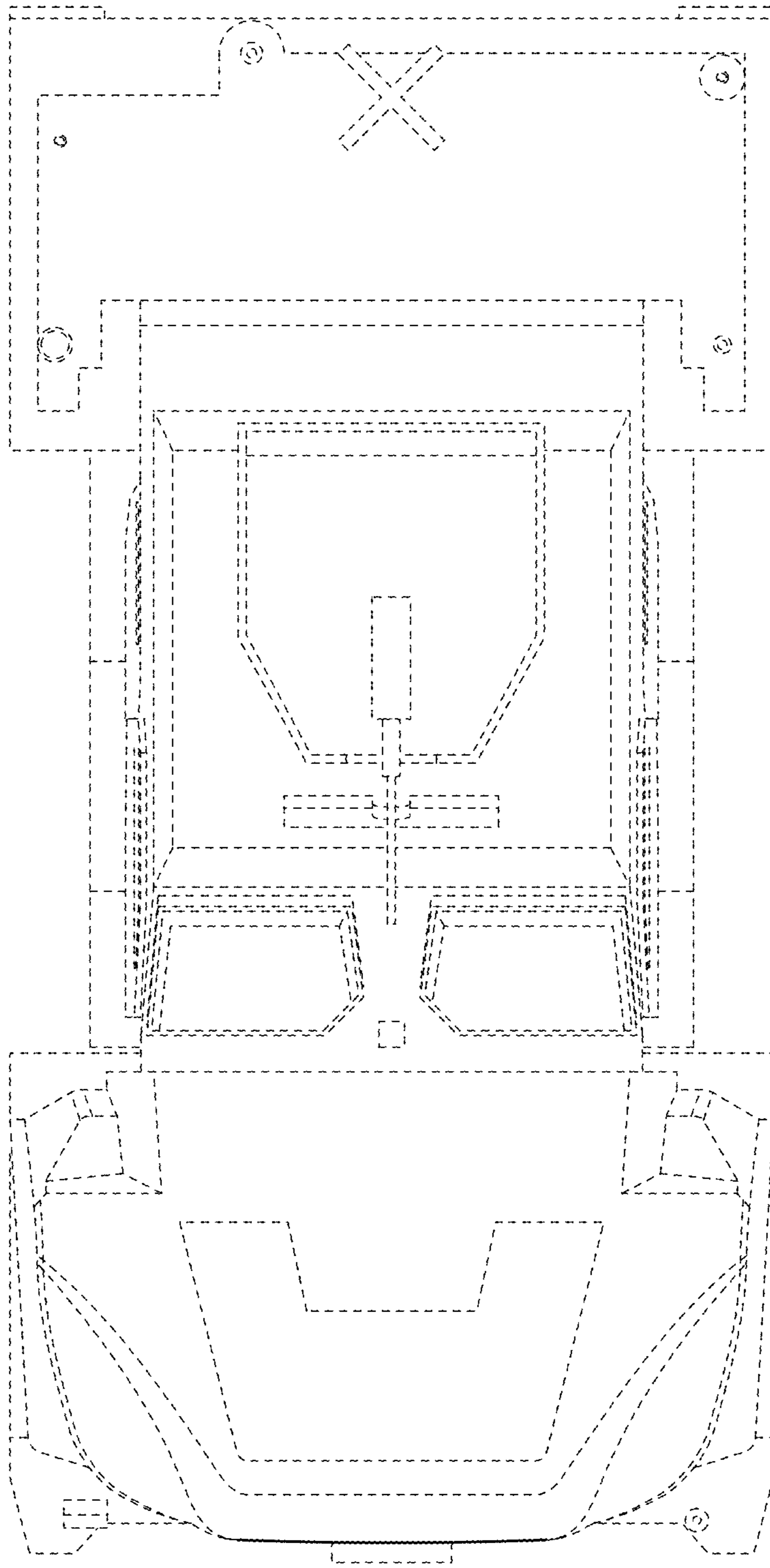


FIG. 6

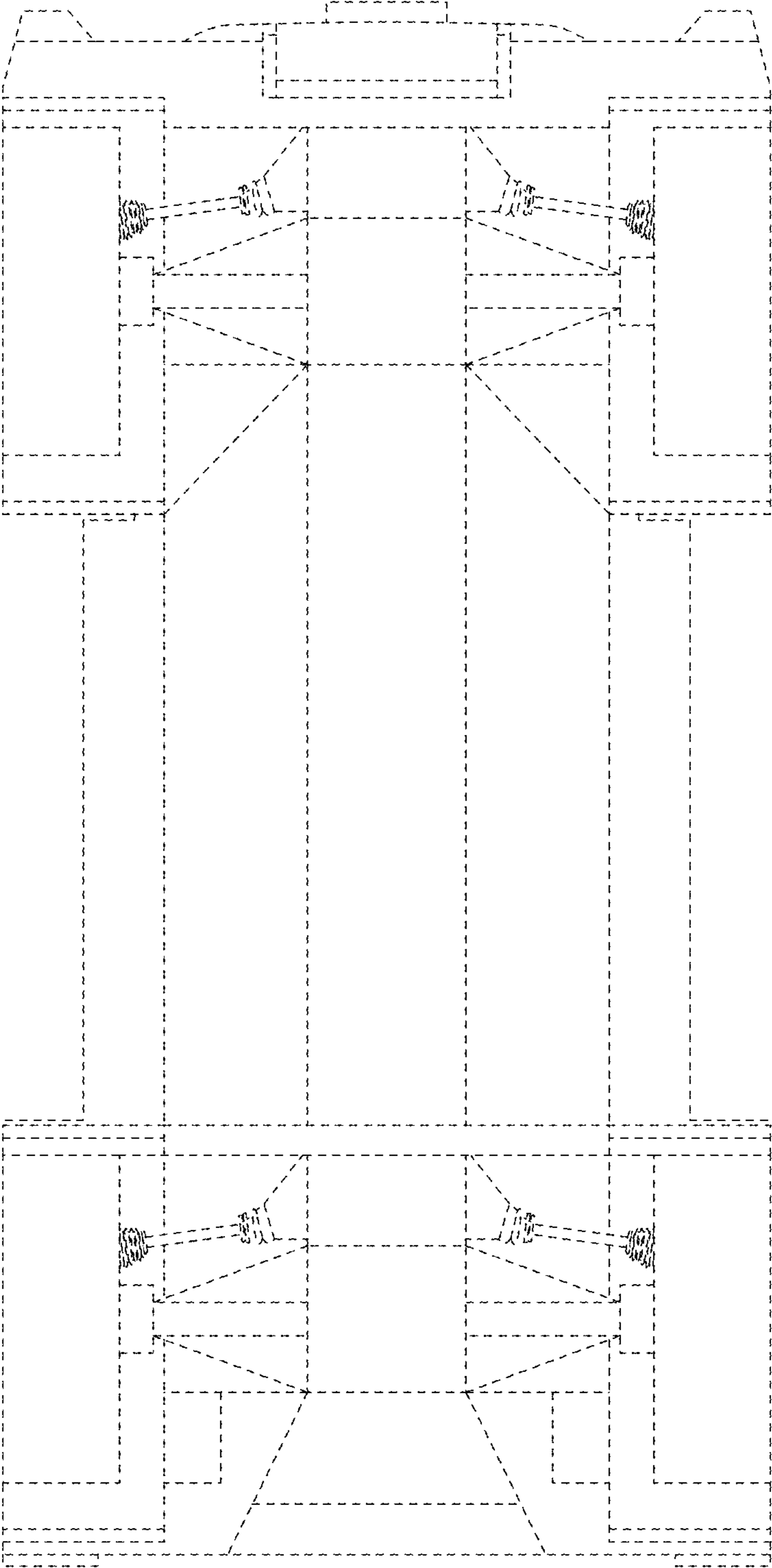


FIG. 7

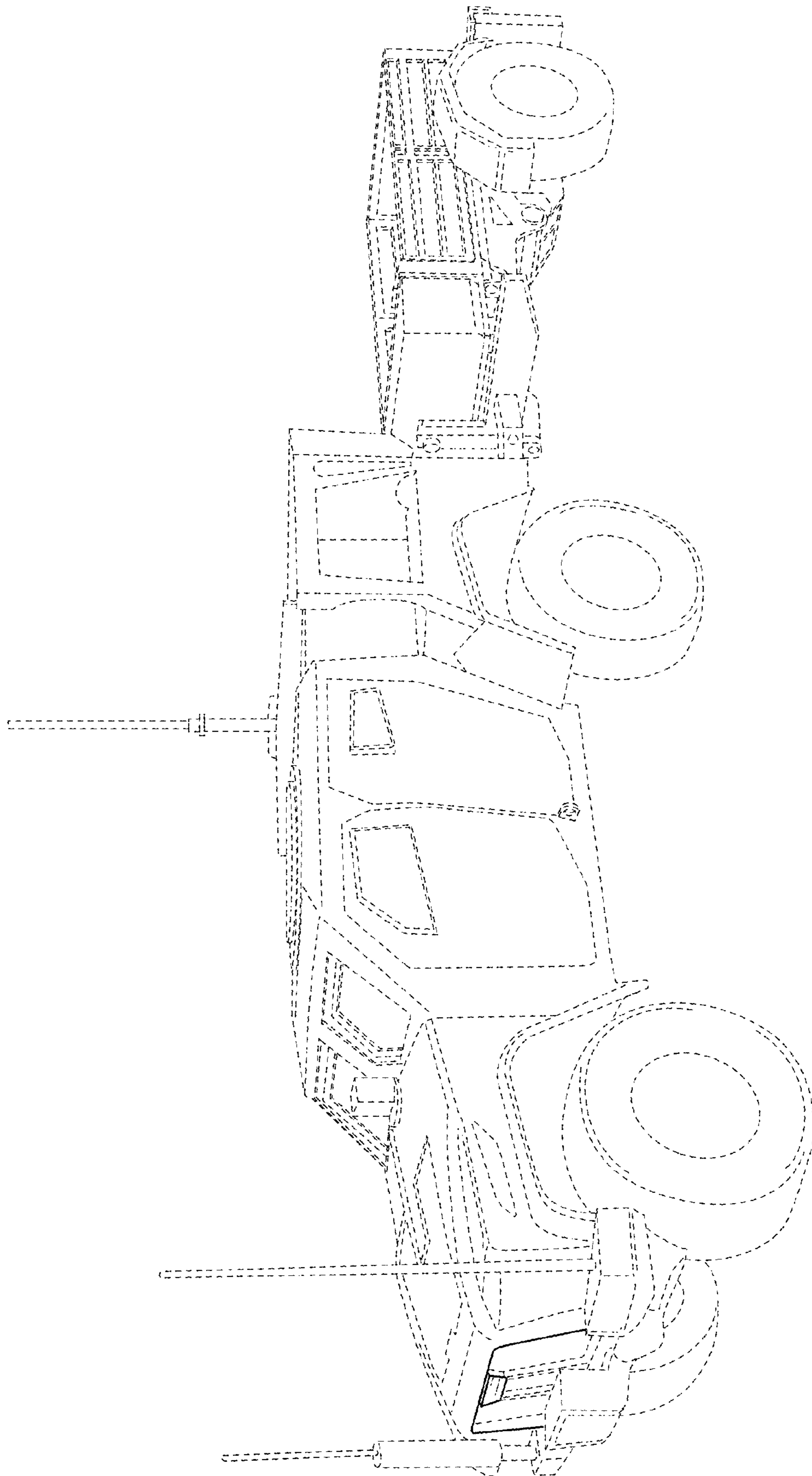


FIG. 8

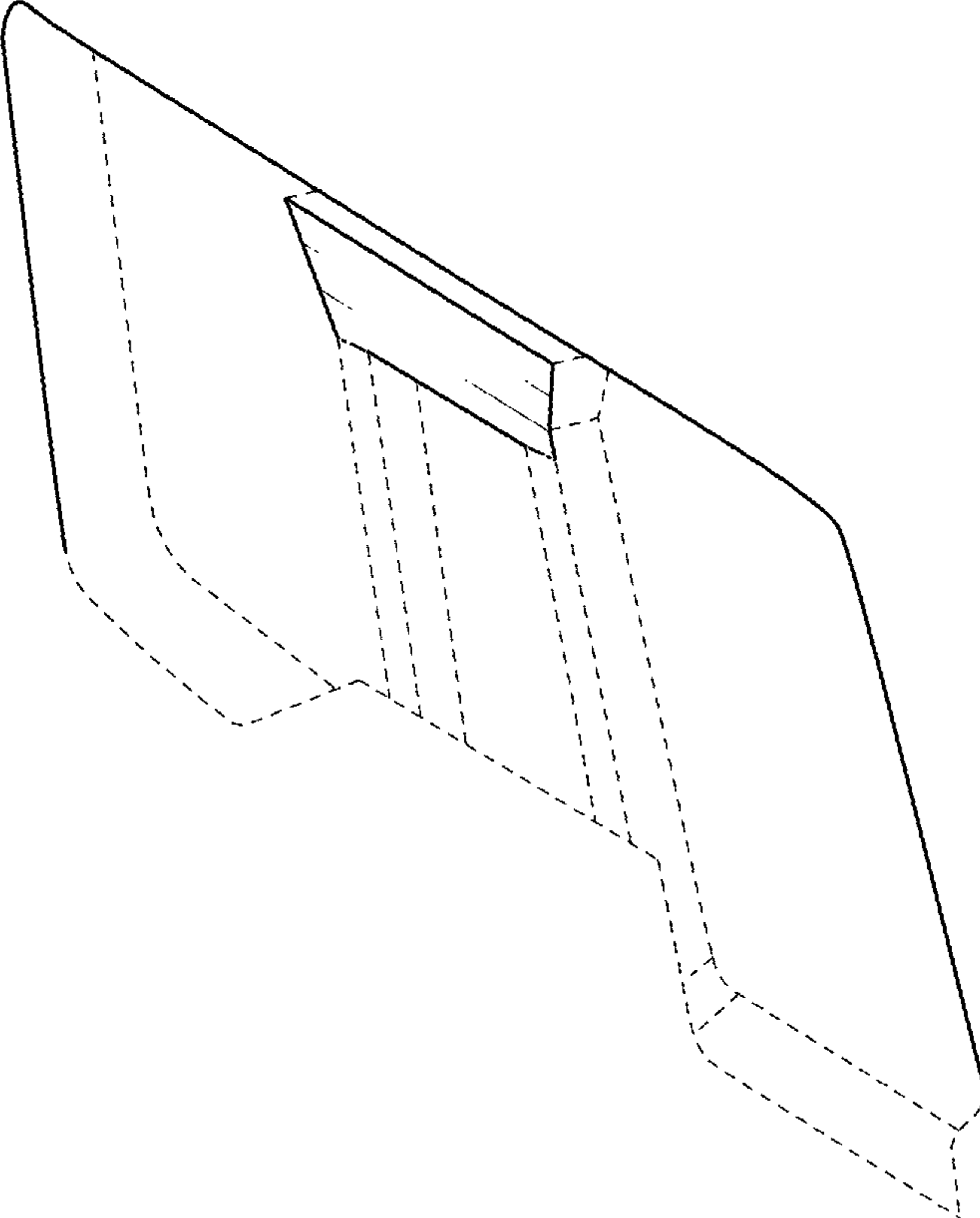


FIG. 9