

US00D966956S

(12) **United States Design Patent**
Huang

(10) **Patent No.:** **US D966,956 S**

(45) **Date of Patent:** **** Oct. 18, 2022**

- (54) **HITCH RECEIVER**
- (71) Applicant: **Dashao Huang**, Guangdong (CN)
- (72) Inventor: **Dashao Huang**, Guangdong (CN)
- (**) Term: **15 Years**
- (21) Appl. No.: **29/835,736**
- (22) Filed: **Apr. 21, 2022**
- (51) **LOC (13) Cl.** **12-16**
- (52) **U.S. Cl.**
USPC **D12/162**
- (58) **Field of Classification Search**
USPC D12/159, 160, 161, 162, 400, 317;
D21/777, 810
CPC . B60D 1/60; B60D 1/065; B60D 1/00; B60D
1/06; B60D 1/36; B62D 33/033
See application file for complete search history.

D698,285 S *	1/2014	Mason	D12/162
D856,199 S *	8/2019	Siegel	D12/162
D862,309 S *	10/2019	Hack	D12/162
D879,671 S *	3/2020	Siegel	D12/162
D890,636 S *	7/2020	Sanborn	D12/162
D930,156 S *	9/2021	Wong	D24/134
D931,152 S *	9/2021	Rabska	D12/162
2017/0246924 A1 *	8/2017	Thompson	B60D 1/04
2022/0161735 A1 *	5/2022	Mannsfield	E04H 15/06

* cited by examiner

Primary Examiner — Katrina A Betton
(74) *Attorney, Agent, or Firm* — Che-Yang Chen; Law
Office of Michael Chen

(57) **CLAIM**

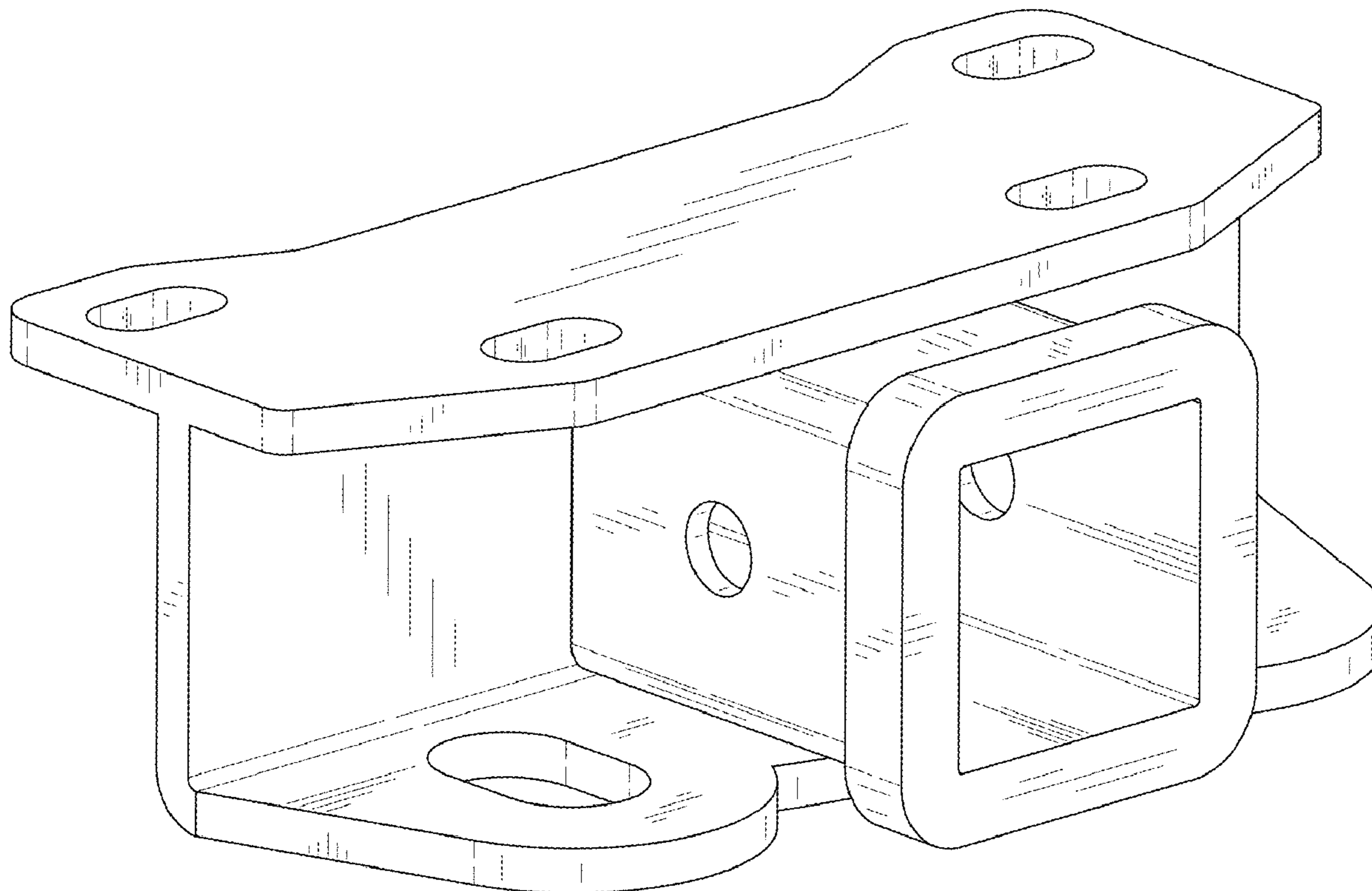
The ornamental design for a hitch receiver, as shown and described.

DESCRIPTION

FIG. 1 is a perspective view of the hitch receiver showing my new design;
FIG. 2 is a perspective view thereof from another angle;
FIG. 3 is a front elevational view thereof;
FIG. 4 is a rear elevational view thereof;
FIG. 5 is a left side elevational view thereof;
FIG. 6 is a right side elevational view thereof;
FIG. 7 is a top plan view thereof; and,
FIG. 8 is a bottom plan view thereof.

1 Claim, 8 Drawing Sheets

- (56) **References Cited**
U.S. PATENT DOCUMENTS
D480,338 S * 10/2003 Harwood B60R 9/06
D12/162
D519,424 S * 4/2006 Fisher D12/162
D628,128 S * 11/2010 Sanders D12/162
D634,259 S * 3/2011 Farber D12/408
D686,954 S 7/2013 Scruggs et al.



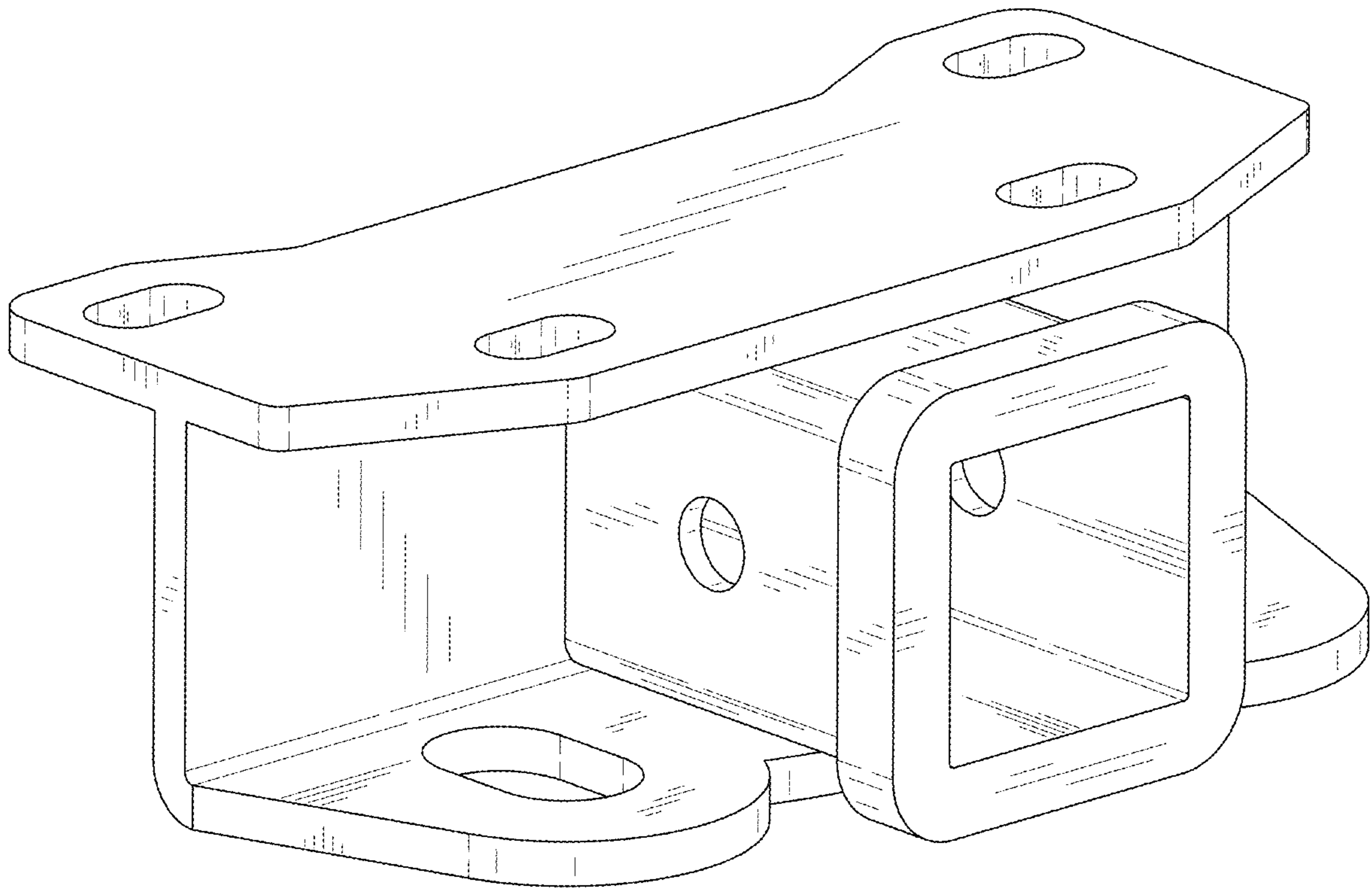


FIG. 1

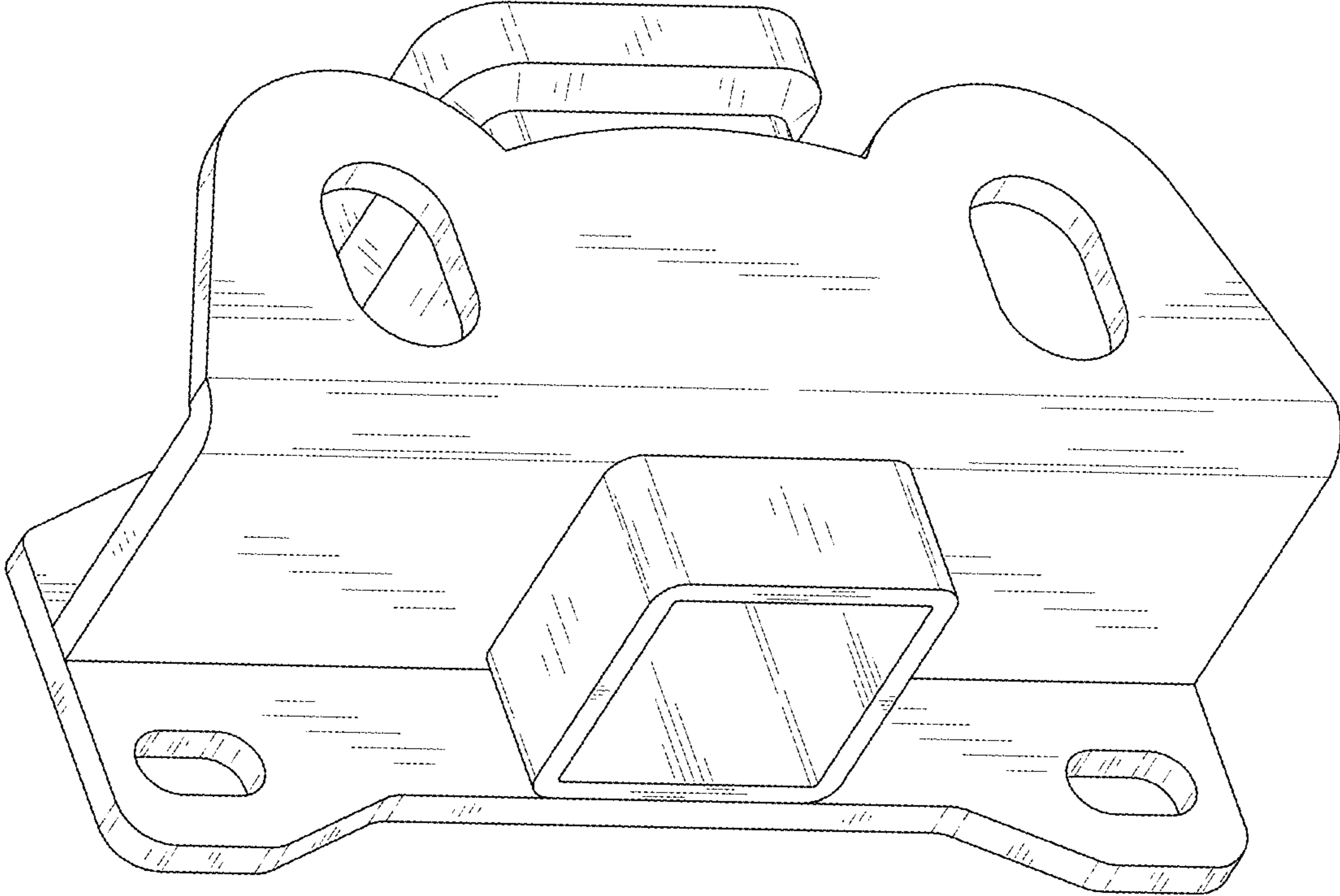


FIG. 2

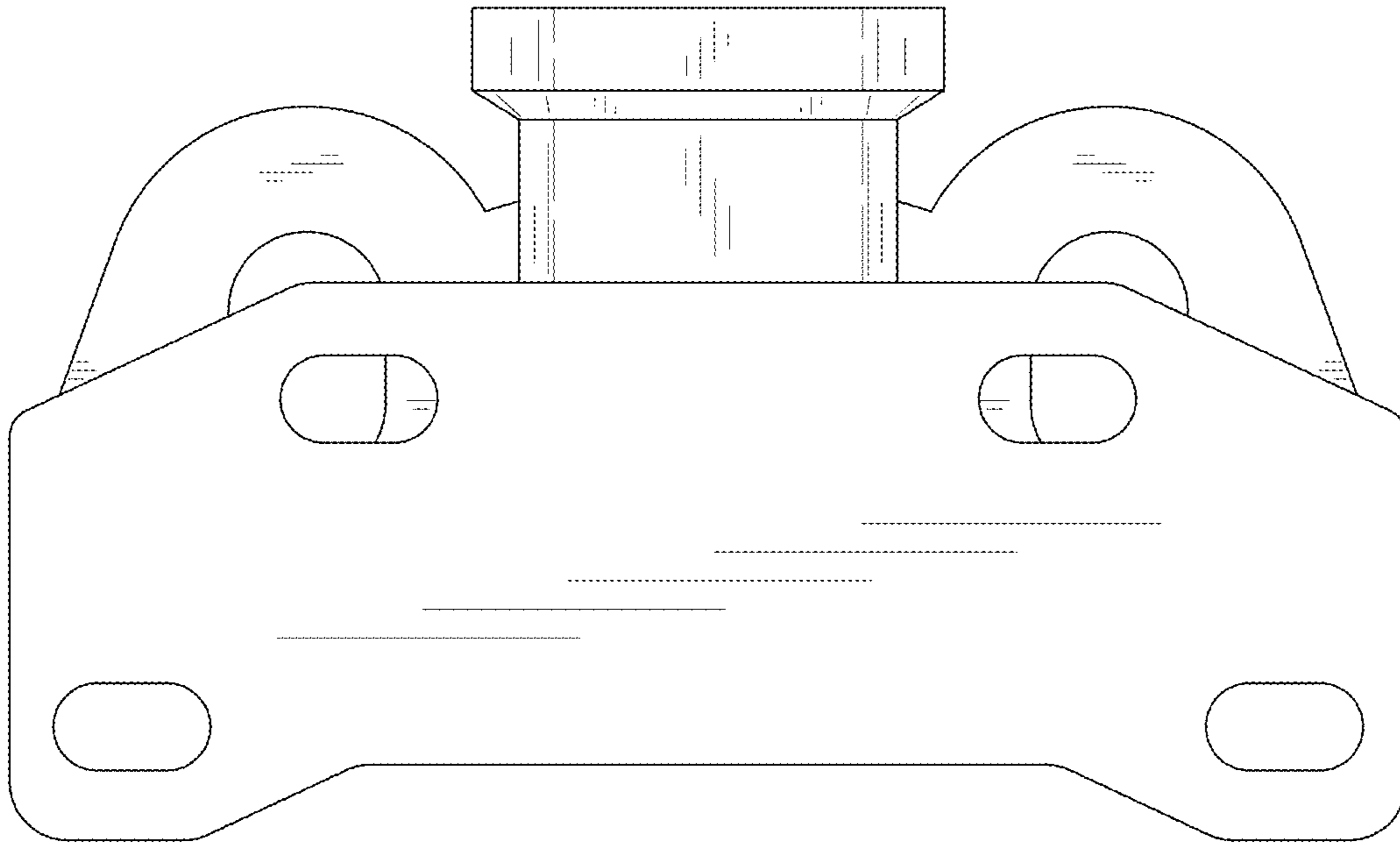


FIG. 3

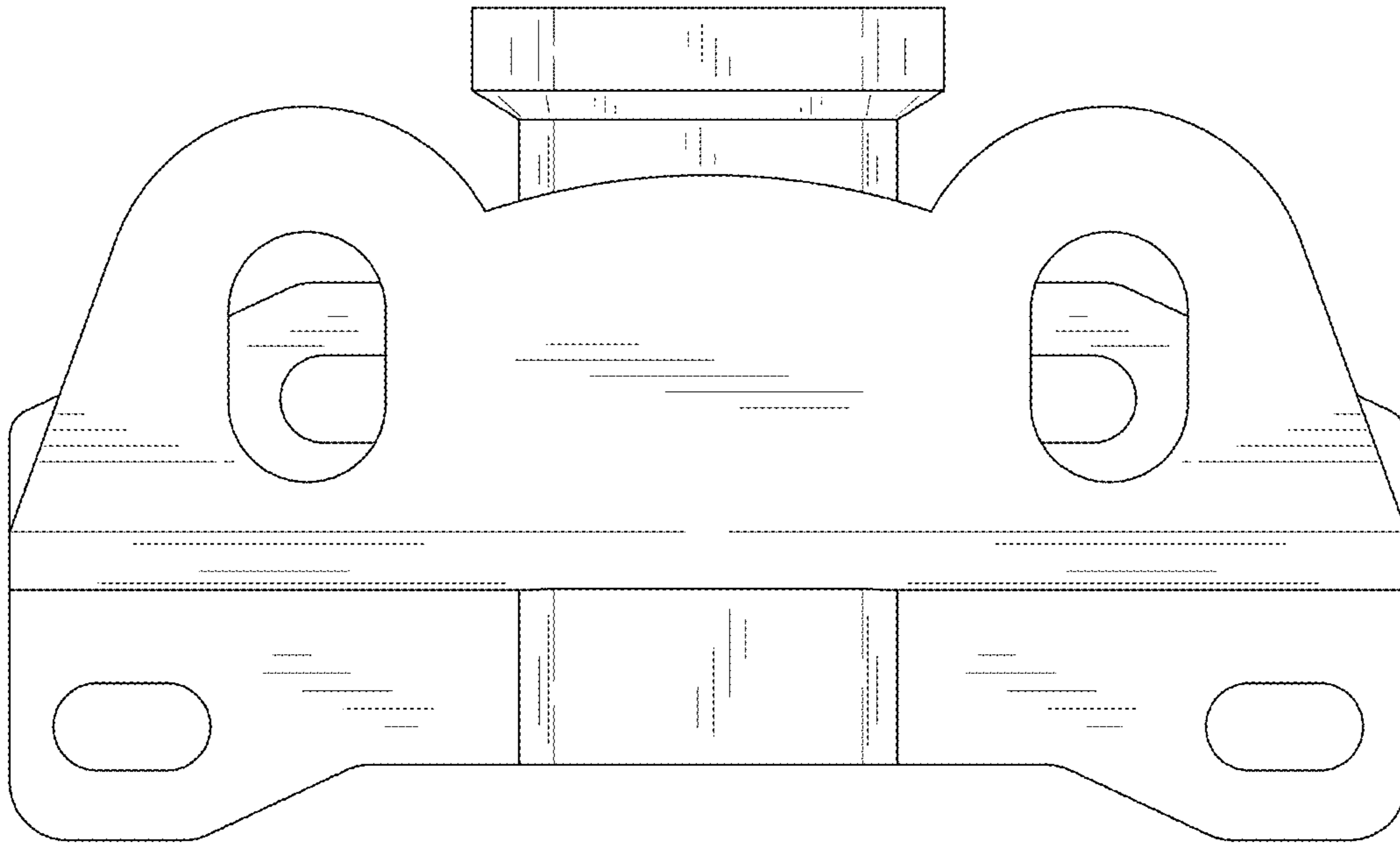


FIG. 4

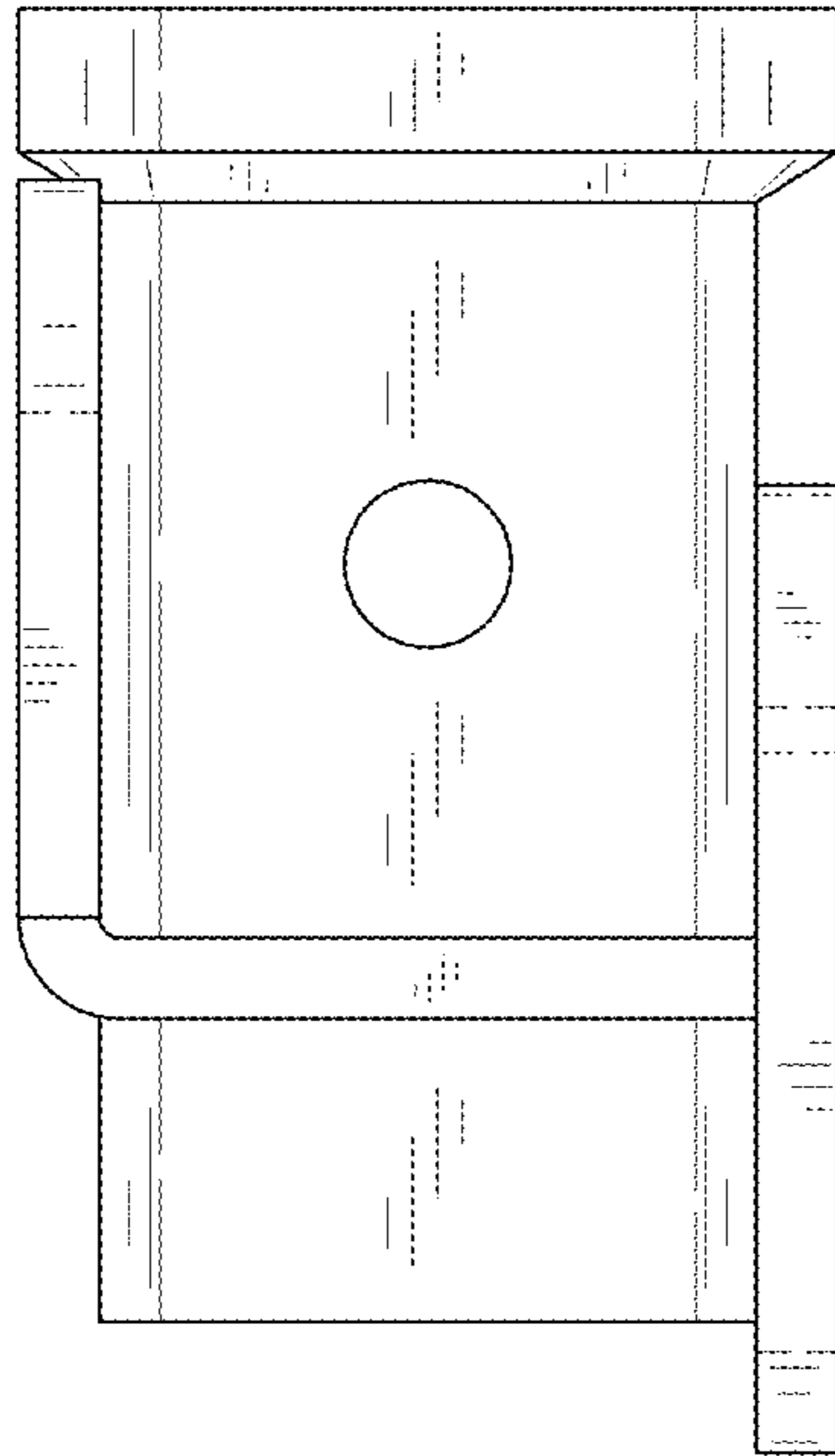


FIG. 5

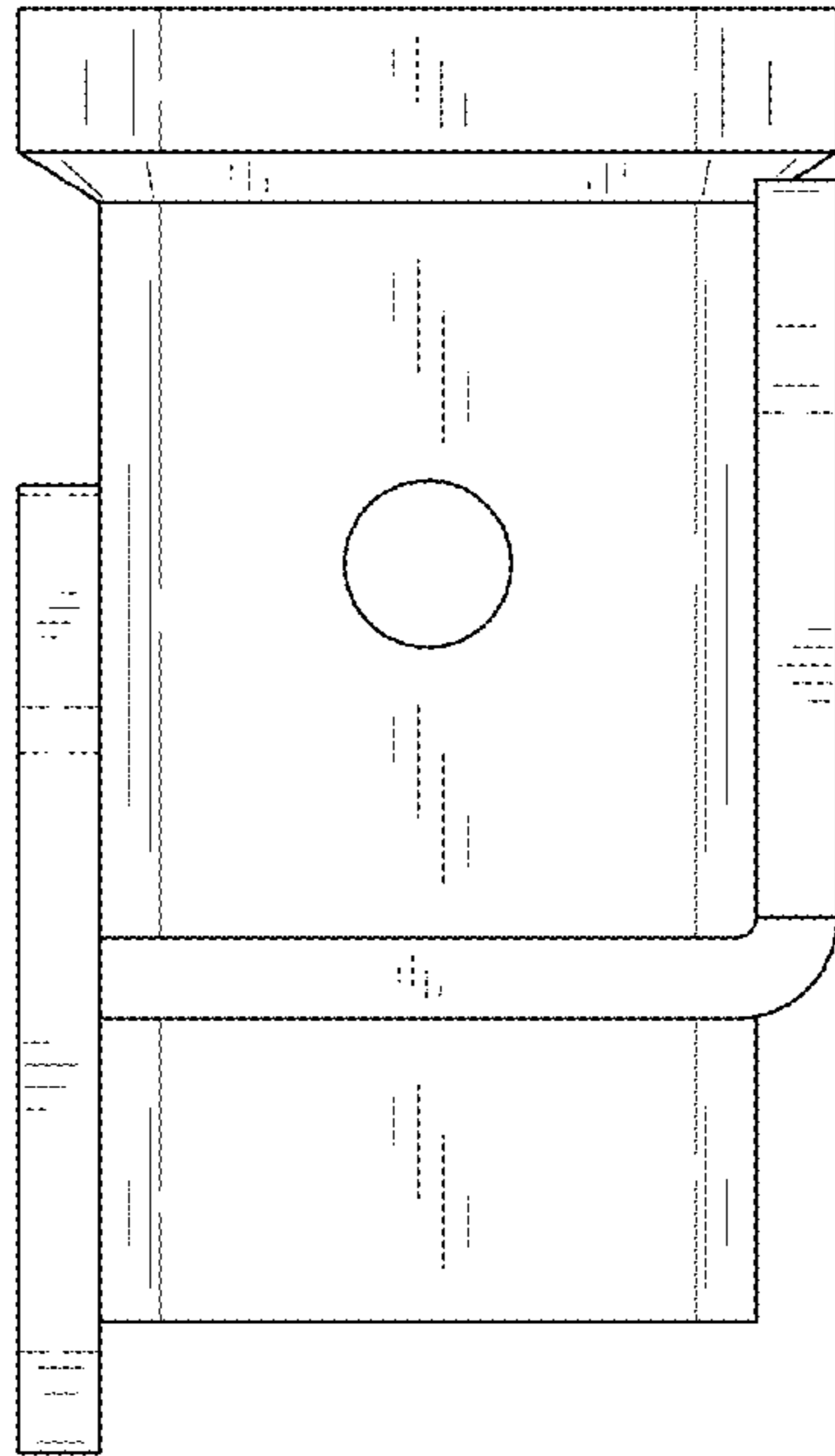


FIG. 6

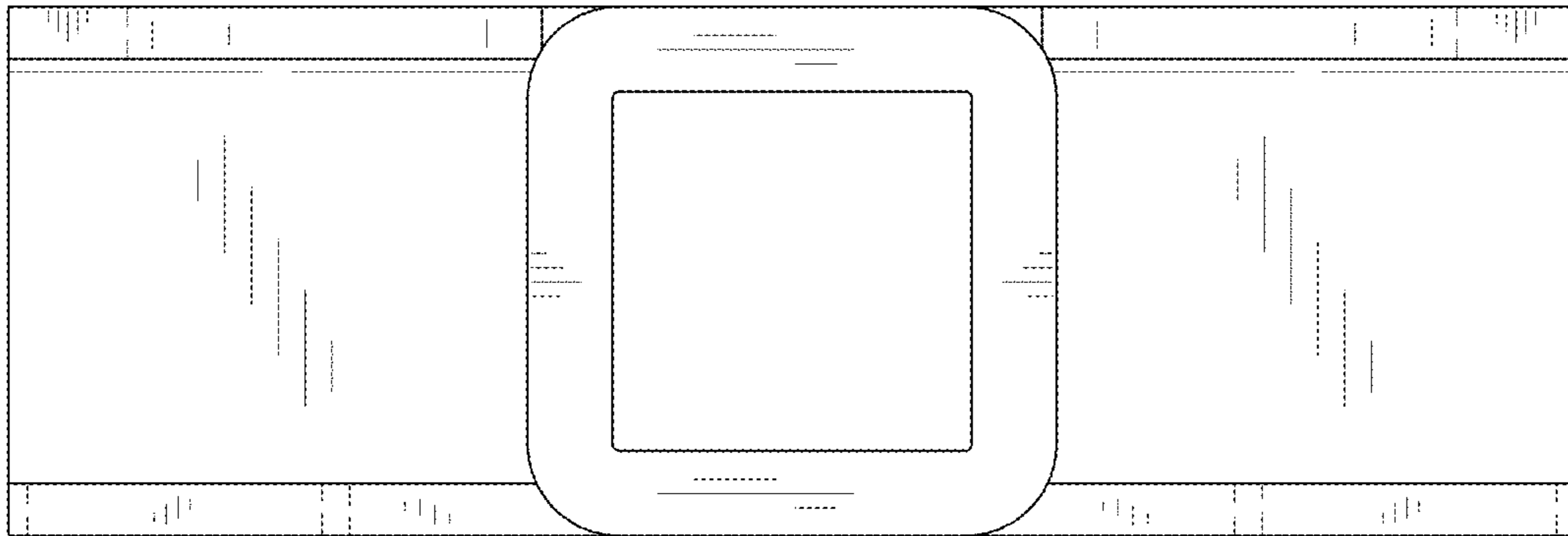


FIG. 7

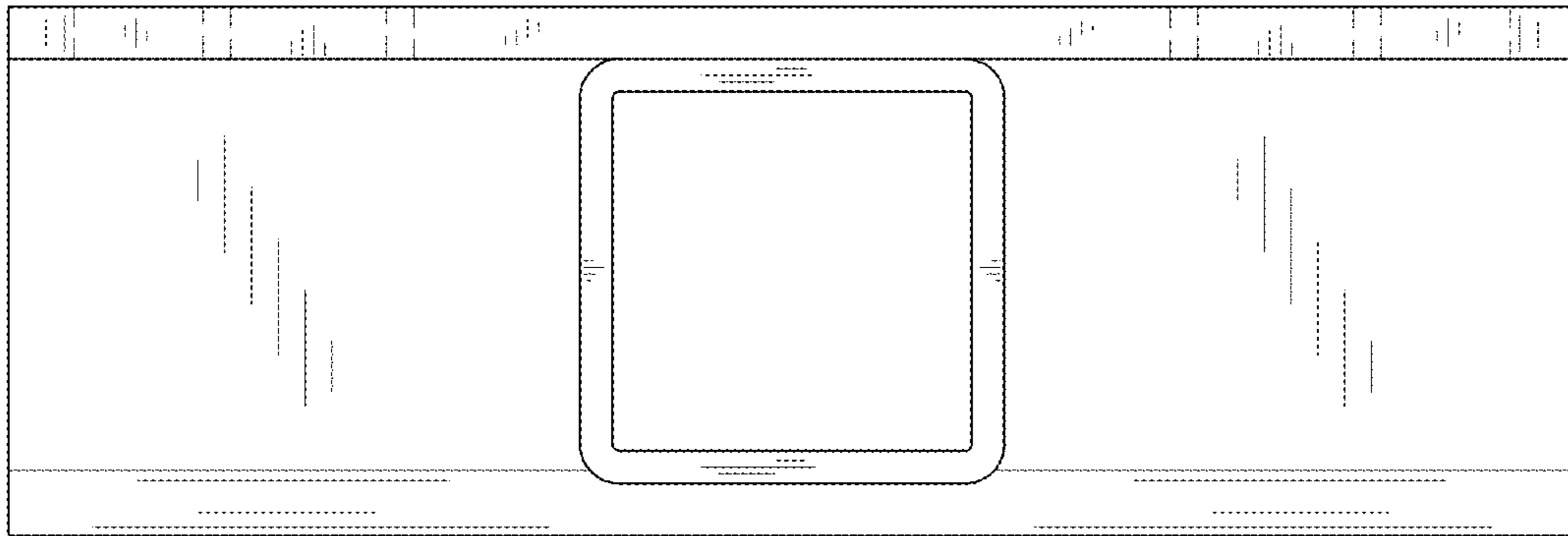


FIG. 8