

US00D966954S

(12) **United States Design Patent** (10) **Patent No.:** **US D966,954 S**
Dolinskiy (45) **Date of Patent:** **** Oct. 18, 2022**

(54) **HITCH COVER**

(71) Applicant: **Viktor Dolinskiy**, Matthews, NC (US)

(72) Inventor: **Viktor Dolinskiy**, Matthews, NC (US)

(**) Term: **15 Years**

(21) Appl. No.: **29/788,260**

(22) Filed: **Apr. 20, 2021**

(51) **LOC (13) Cl.** **12-16**

(52) **U.S. Cl.**
USPC **D12/162**

(58) **Field of Classification Search**
USPC D12/159, 160, 161, 162, 400, 317;
D21/777, 810

CPC . B60D 1/60; B60D 1/065; B60D 1/00; B60D
1/06; B60D 1/36; B62D 33/033

See application file for complete search history.

(56) **References Cited**

U.S. PATENT DOCUMENTS

D419,505 S	1/2000	Deerman	
D424,991 S	5/2000	Young et al.	
D428,839 S	8/2000	Horowitz	
D448,912 S *	10/2001	Galbraith, Jr.	D99/34
D450,638 S	11/2001	Dalderon	
D471,137 S	3/2003	Shepherd et al.	
D480,338 S	10/2003	Harwood	
6,655,822 B1	12/2003	Sylvester	
D485,218 S	1/2004	Bentley	
D519,424 S *	4/2006	Fisher	D12/162
D628,128 S *	11/2010	Sanders	D12/162

D634,259 S *	3/2011	Farber	D12/408
D644,150 S	8/2011	Edick	
D644,572 S	9/2011	Edick	
D698,285 S *	1/2014	Mason	D12/162
D711,292 S	8/2014	Sarajian et al.	
D756,263 S *	5/2016	Trigg	D11/131
D862,309 S *	10/2019	Hack	D12/162
D879,671 S *	3/2020	Siegel	D12/162
D890,636 S *	7/2020	Sanborn	D12/162
D904,236 S	12/2020	Arrowood	
D931,152 S *	9/2021	Rabska	D12/162
2017/0246924 A1 *	8/2017	Thompson	B60D 1/04
2021/0110742 A1 *	4/2021	Moor	G09F 17/00
2022/0161735 A1 *	5/2022	Mannsfeld	E04H 15/06

* cited by examiner

Primary Examiner — Katrina A Betton
(74) *Attorney, Agent, or Firm* — Dunlap Bennett & Ludwig, PLLC

(57) **CLAIM**

The ornamental design for a hitch cover, as shown and described.

DESCRIPTION

FIG. 1 is a front right top perspective view of the hitch cover, showing my new design;
FIG. 2 is a rear right bottom perspective view thereof;
FIG. 3 is a front elevation view thereof;
FIG. 4 is a rear elevation view thereof;
FIG. 5 is a left side elevation view thereof;
FIG. 6 is a right side elevation view thereof;
FIG. 7 is a top plan view thereof; and,
FIG. 8 is a bottom plan view thereof.

1 Claim, 5 Drawing Sheets

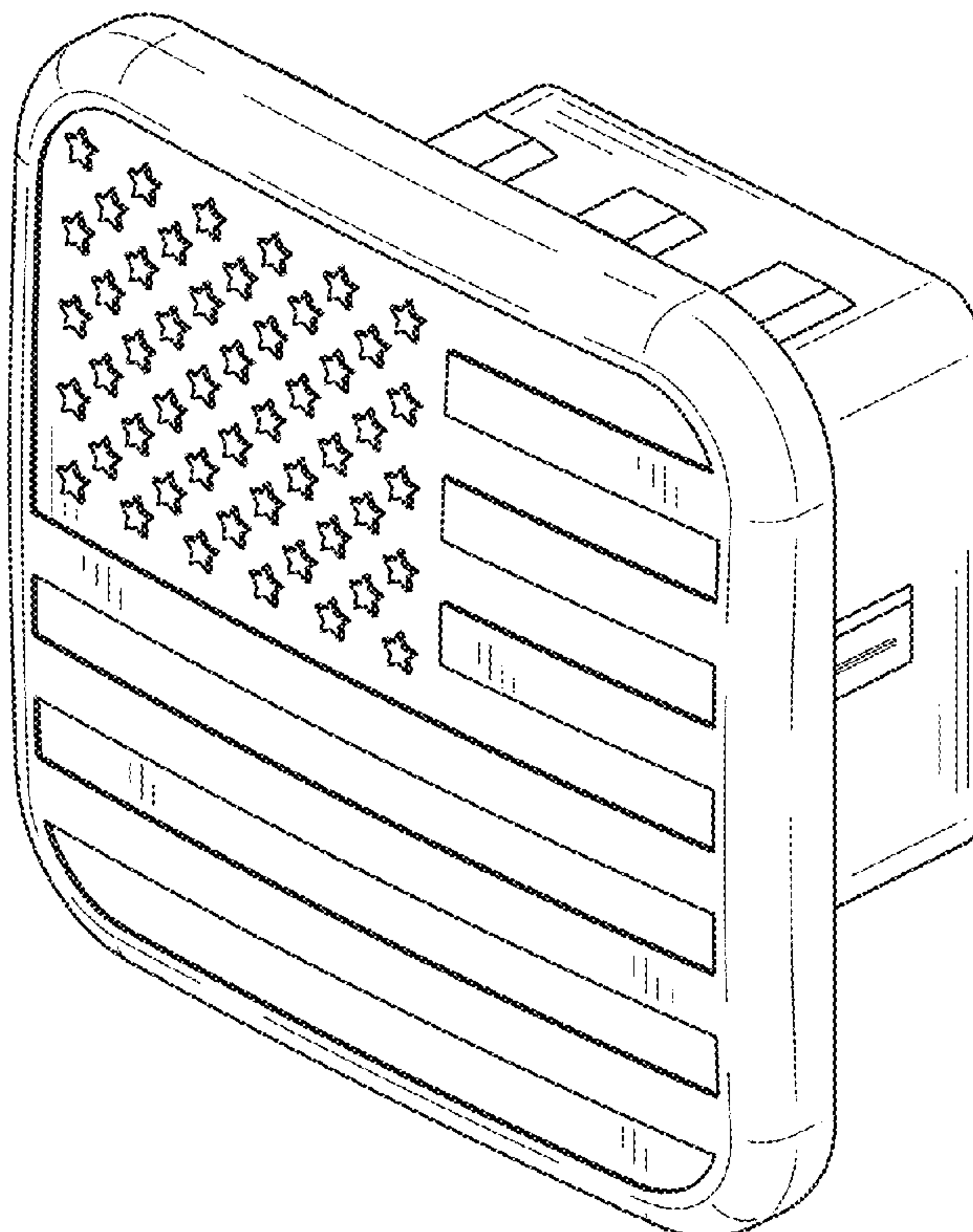


FIG. 1

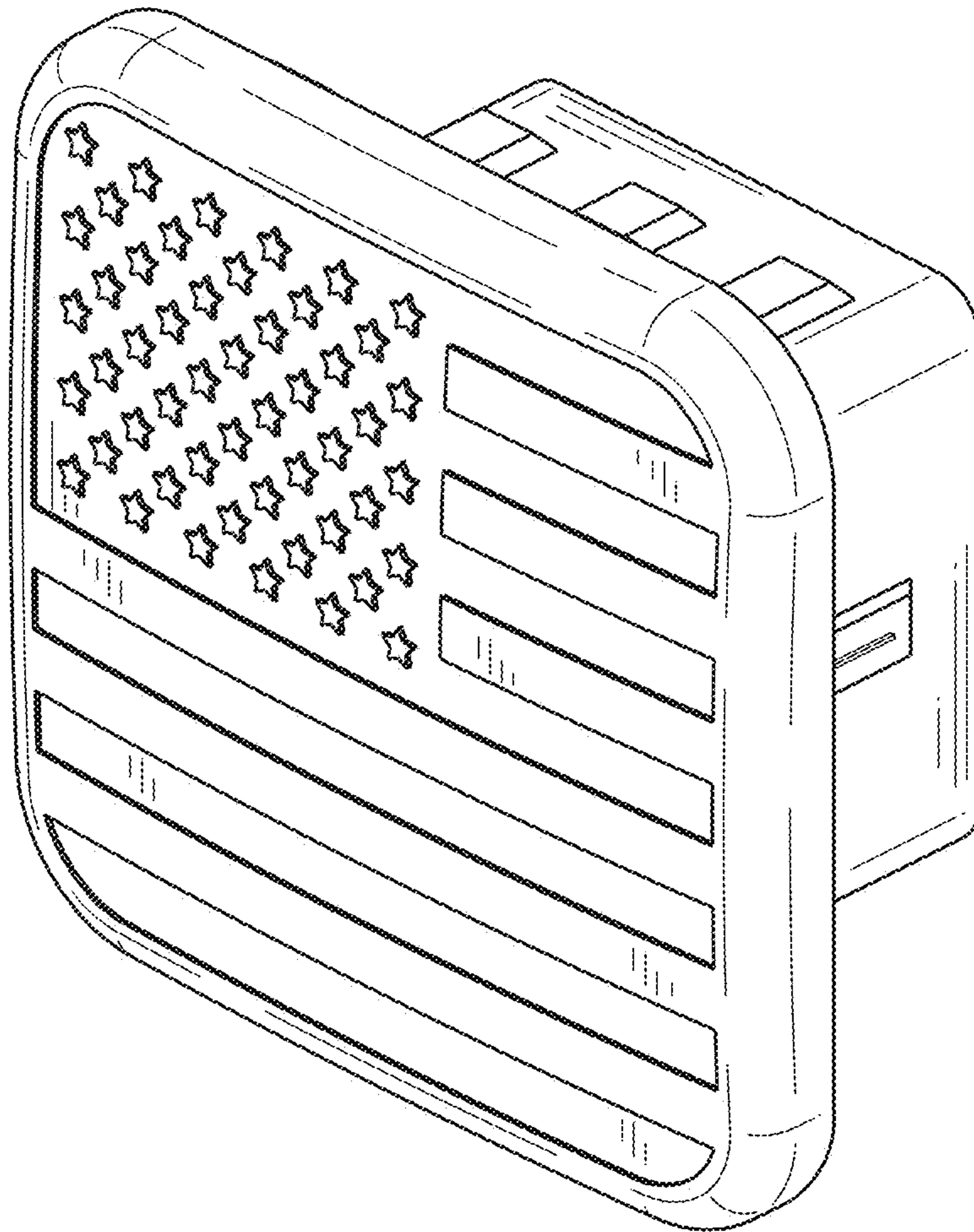
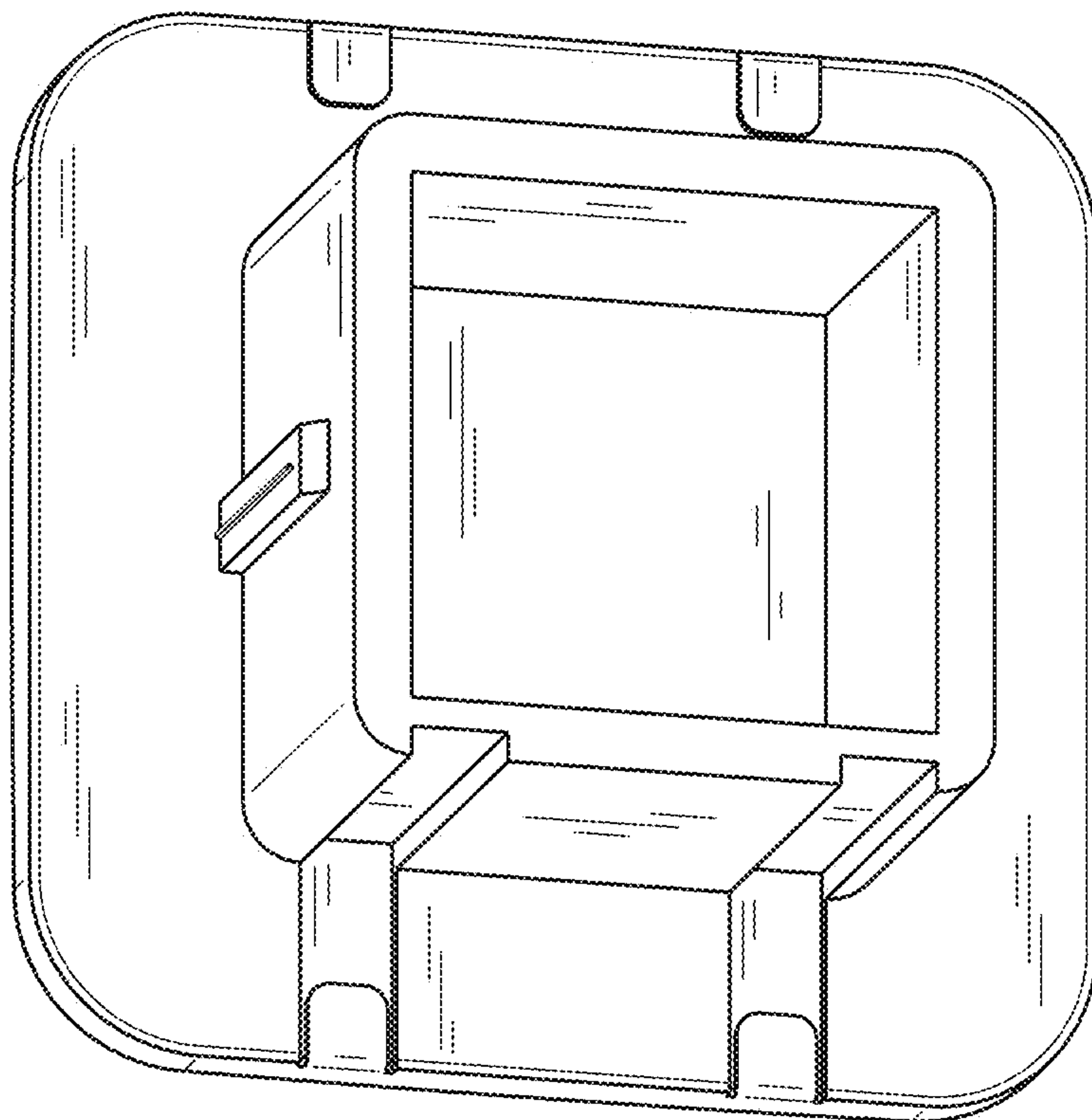


FIG. 2



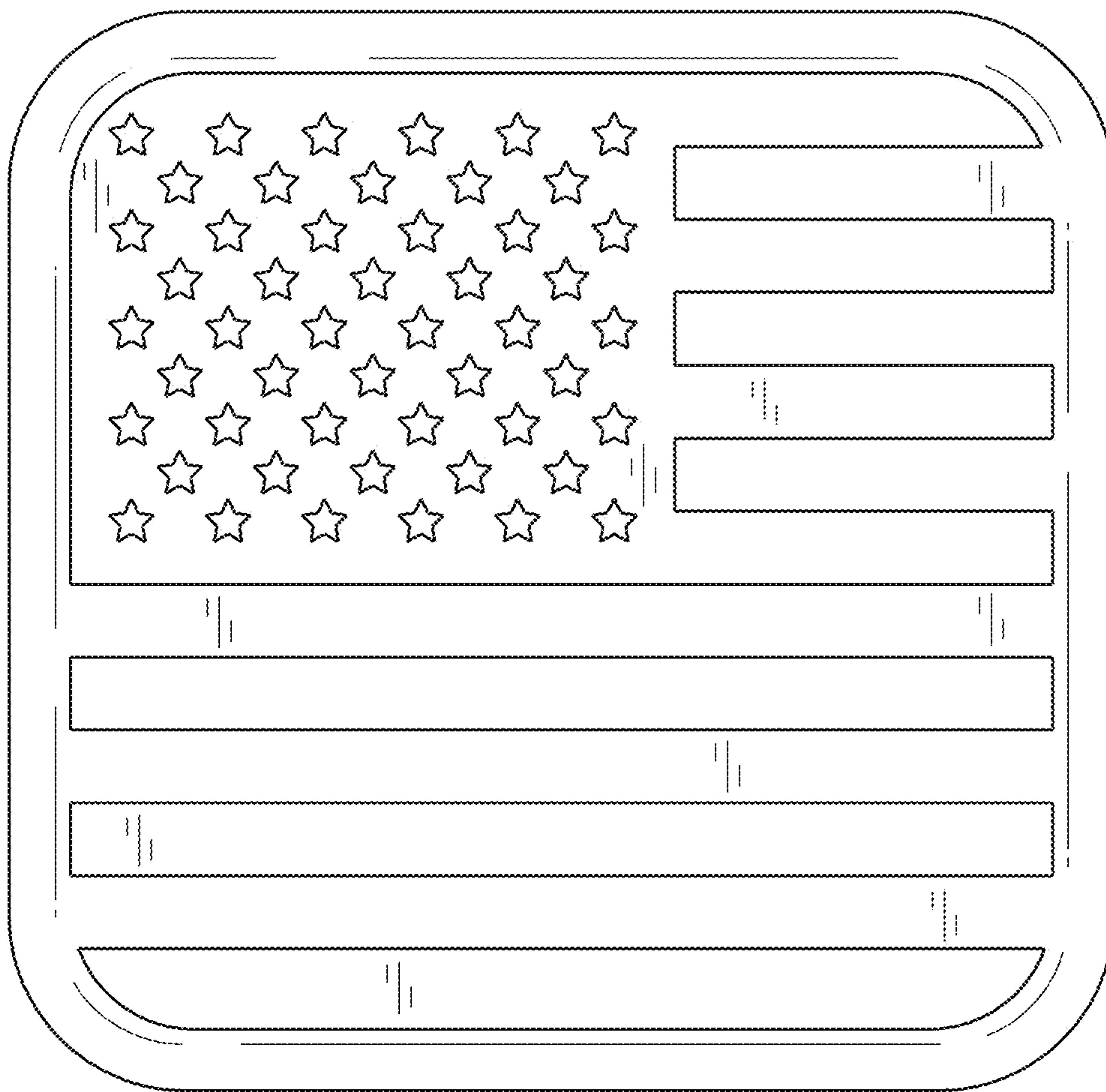


FIG. 3

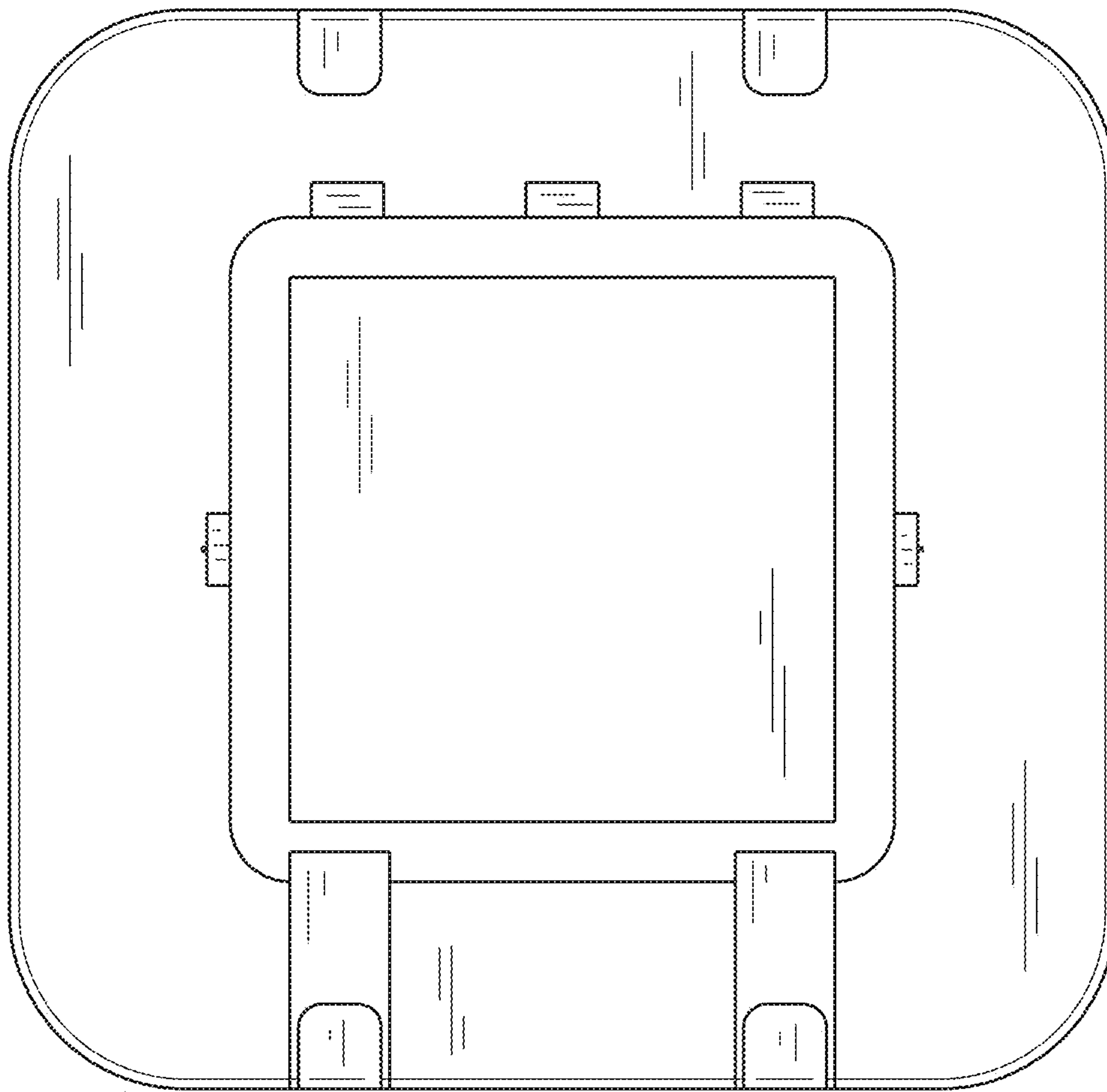


FIG. 4

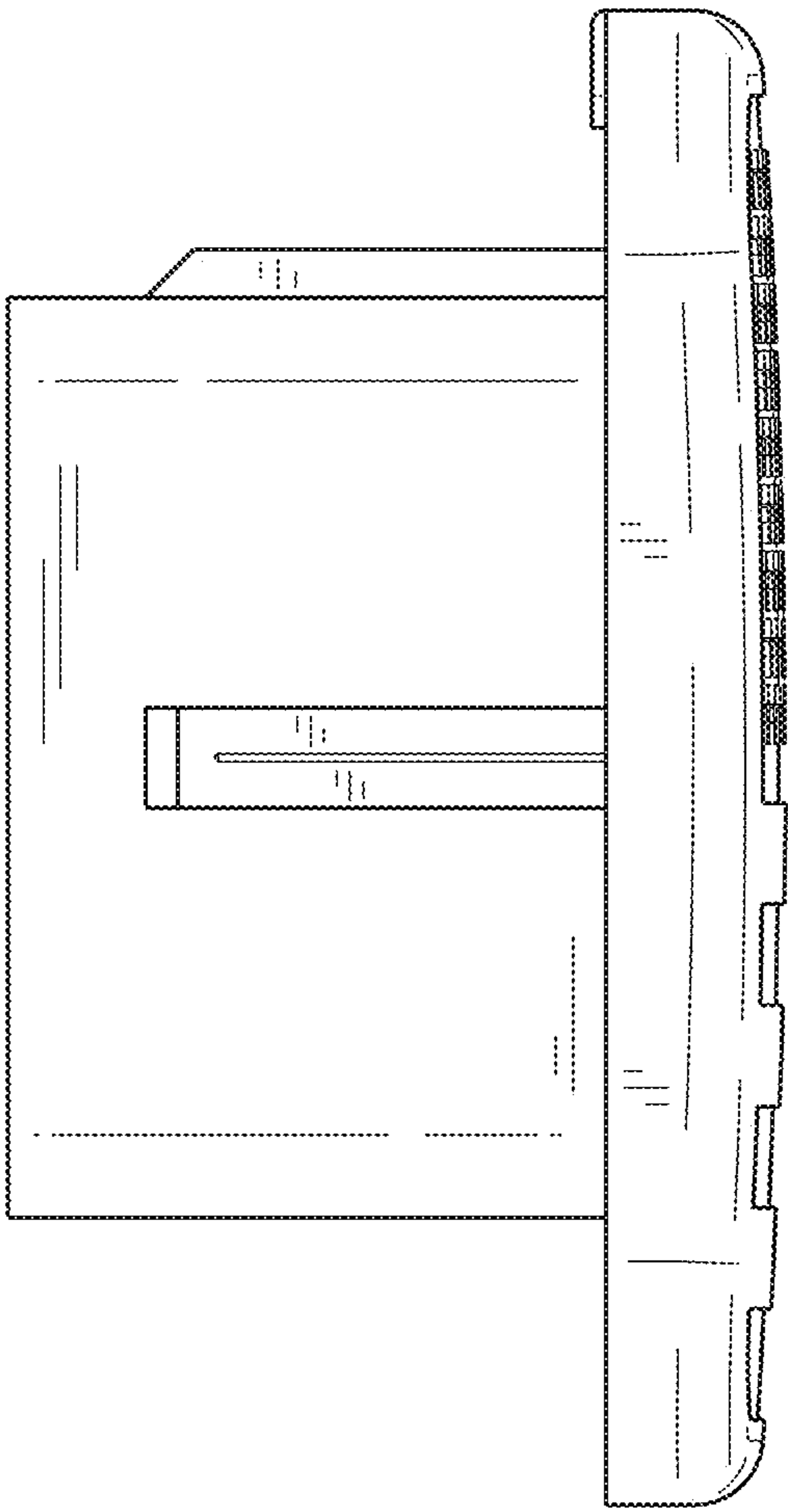


FIG. 5

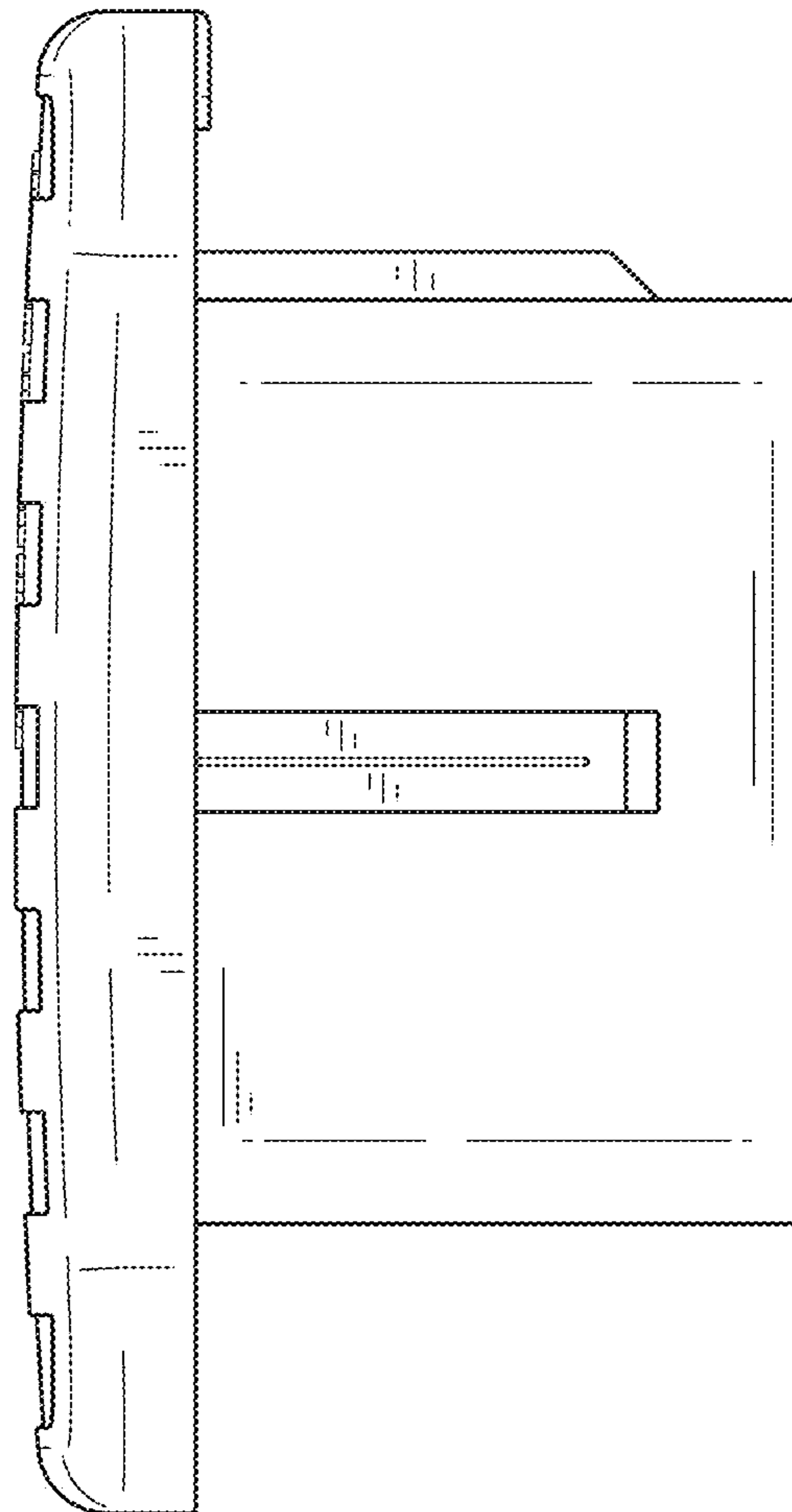


FIG. 6

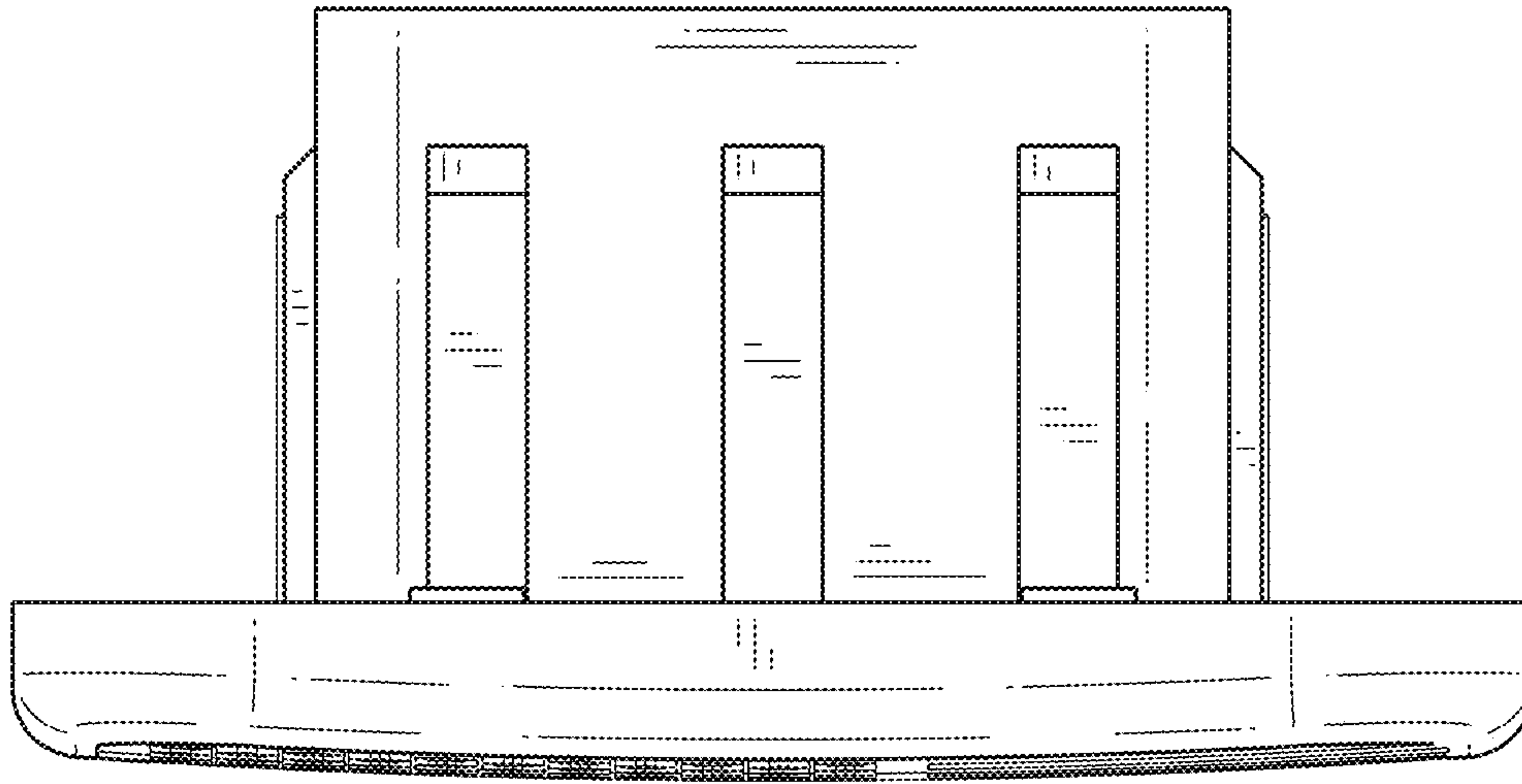


FIG. 7

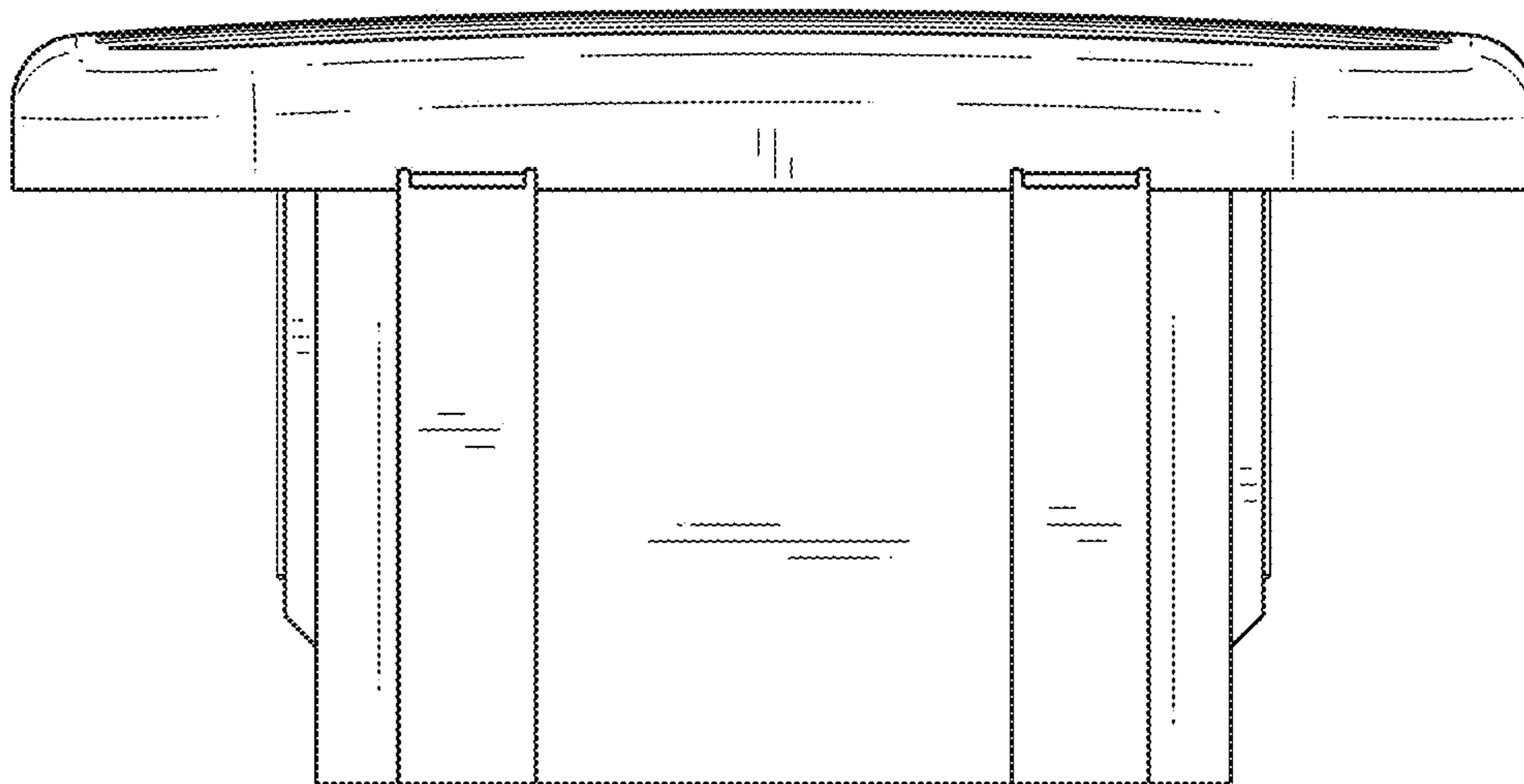


FIG. 8