



US00D966953S

(12) **United States Design Patent**
Boaz et al.

(10) **Patent No.:** **US D966,953 S**
(45) **Date of Patent:** **** Oct. 18, 2022**

(54) **MULTIPURPOSE FLAT CHASSIS VEHICLE PLATFORM**

2022/0118838 A1* 4/2022 Jung B60L 50/64
2022/0123422 A1* 4/2022 Wang B60L 50/64
2022/0176840 A1* 6/2022 Harris B60L 53/67

(71) Applicant: **REE AUTOMOTIVE LTD.**, Herzliya (IL)

OTHER PUBLICATIONS

(72) Inventors: **Amos Boaz**, Moshav Shoresh (IL); **Ahishay Sardes**, Tel Aviv (IL); **Ran Dekel**, Nofit (IL); **Amit Aknin**, Karkom (IL); **Tomer Segev**, Tel Aviv (IL); **Eran Starik**, Tel Aviv (IL); **Eylon Avigur**, Ramat Gan (IL)

A Reinvented Industry The Skateboard Platform Impact—A 20 Year Journey published by Adrian Chernoff Ideation Genesis New York, New York, United States, downloaded from <http://www.adrianchernoff.com/project/electric-skateboard-platform/> website on Jun. 20, 2021. Mercedes-Benz Vision Urbanetic, Aesthetics Meets Intelligence published by Auto&Design By Sep. 10, 2018 Via Pietro Egidi, 6 10122 Turin, Italy downloaded from—<https://autodesigntmagazine.com/en/2018/09/mercedes-benz-vision-urbanetic/> website on Jun. 16, 2021.

(Continued)

(73) Assignee: **REE Automotive Ltd.**, Kibbutz Glil-Yam (IL)

Primary Examiner — Michael A. Pratt

(**) Term: **15 Years**

(74) *Attorney, Agent, or Firm* — Marc Van Dyke; Momentum IP

(21) Appl. No.: **35/512,801**

(22) Filed: **Apr. 28, 2021**

(57) **CLAIM**

(80) **Hague Agreement Data**

The ornamental design for a multipurpose flat chassis vehicle platform, as shown and described.

Int. Filing Date: **Apr. 28, 2021**

Int. Reg. No.: **DM/214999**

Int. Reg. Date: **Apr. 28, 2021**

Int. Reg. Pub. Date: **Oct. 29, 2021**

DESCRIPTION

(51) **LOC (13) Cl.** **12-16**

(52) **U.S. Cl.**
USPC **D12/159**

(58) **Field of Classification Search**
USPC D12/159; D21/424, 495, 533, 580, 833
CPC Y02T 90/40; Y02T 90/167; Y02T 90/16;
Y02T 10/7072; Y02T 10/70; Y02T 90/12
See application file for complete search history.

1. Multipurpose flat chassis vehicle platform
 - 1.1 : Perspective
 - 1.2 : Front
 - 1.3 : Back
 - 1.4 : Left
 - 1.5 : Right
 - 1.6 : Top
 - 1.7 : Bottom

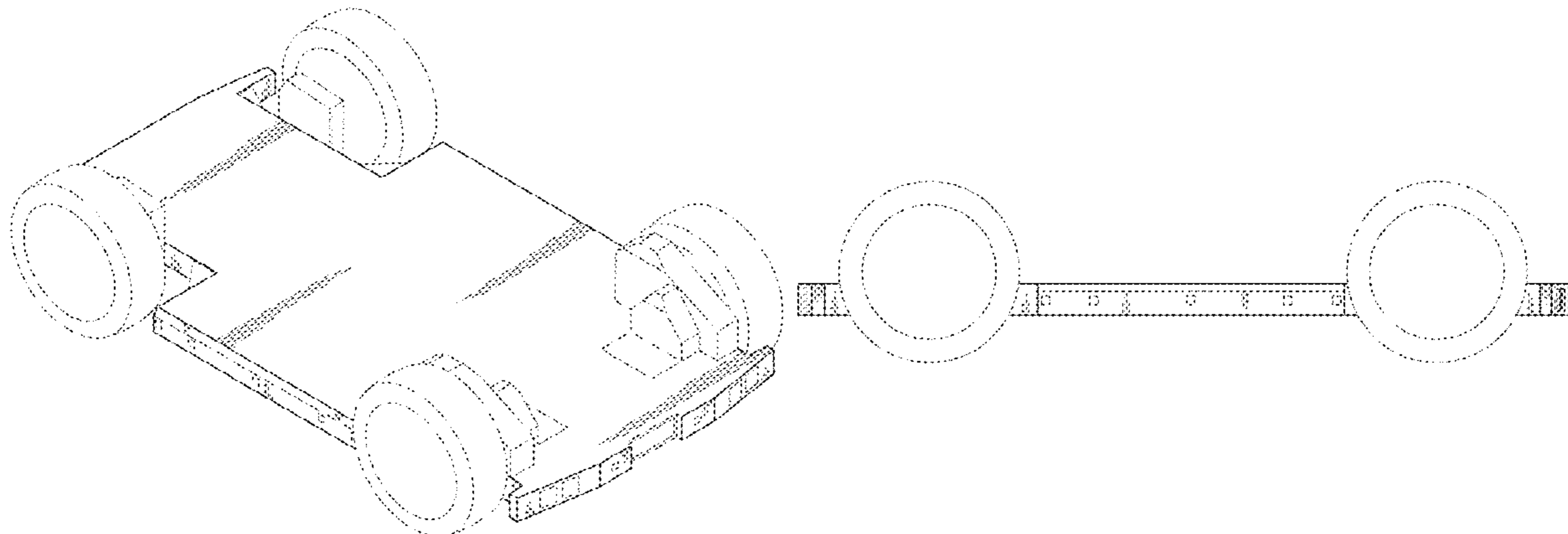
The parts shown by means of broken lines in the reproductions are not part of the claimed design; the shadings in the reproductions represent contours only and do not illustrate an ornamentation or decoration on the surface of the product; the view of the right side and the view of the left side are identical.

(56) **References Cited**

U.S. PATENT DOCUMENTS

D902,088 S * 11/2020 Nakamura D12/159
D902,792 S * 11/2020 Farmer D12/159

1 Claim, 7 Drawing Sheets



(56)

References Cited

OTHER PUBLICATIONS

Mercedes-Benz Vans Announces The Autonomous Urbanetic Flexible Mobility Concept By Kyle Field Published Sep. 11, 2018 Long Beach, California, United States downloaded from <https://cleantechnica.com/2018/09/11/mercedes-benz-vans-announces-the-autonomous-urbanetic-flexible-mobility-concept/> on Jun. 16, 2021.

Inventing the Wheel (Electric Version) by Udi Etzion—article from Calcalist May 10, 2019 downloaded from <https://www.calcalist.co.il/local/articles/0,7340,L-3761852,00.html>—article published on Nov. 1, 2019 [download of the article nad Machine translation from Google translate both Nov. 1, 2021].

Co-pending U.S. Appl. No. 35/512,640, filed Mar. 22, 2021.

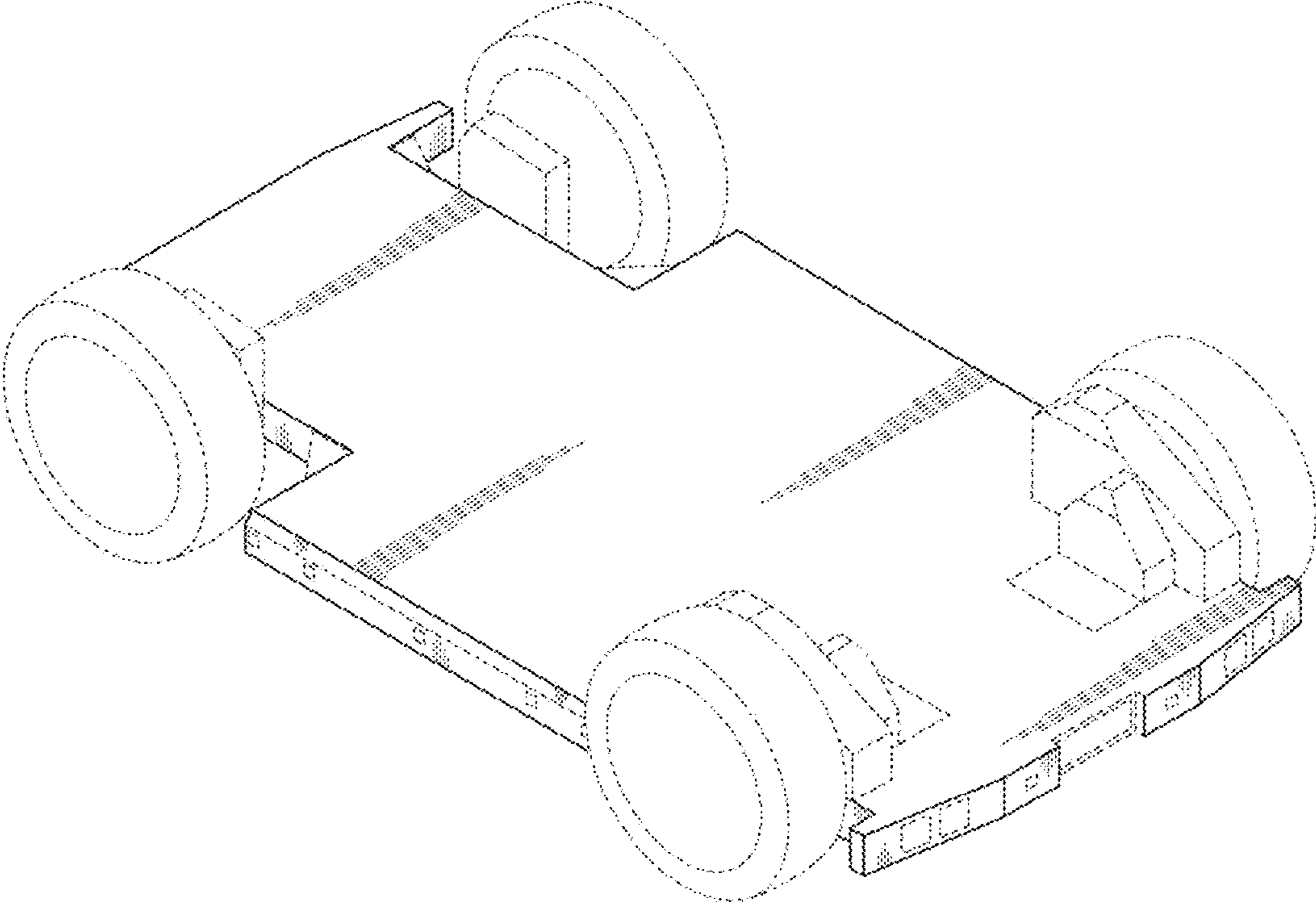
Co-pending U.S. Appl. No. 35/509,750, filed Jun. 3, 2020.

A Bottom-Up Approach To Cheaper, Next-Gen Electric Vehicles by Alan Ohnsman, published on May 20, 2020 Forbes website [downloaded from <https://www.forbes.com/sites/alanohnsman/2020/05/20/a-bottom-up-approach-to-cheaper-next-gen-electric-vehicles/?sh=16c7e1734267>].

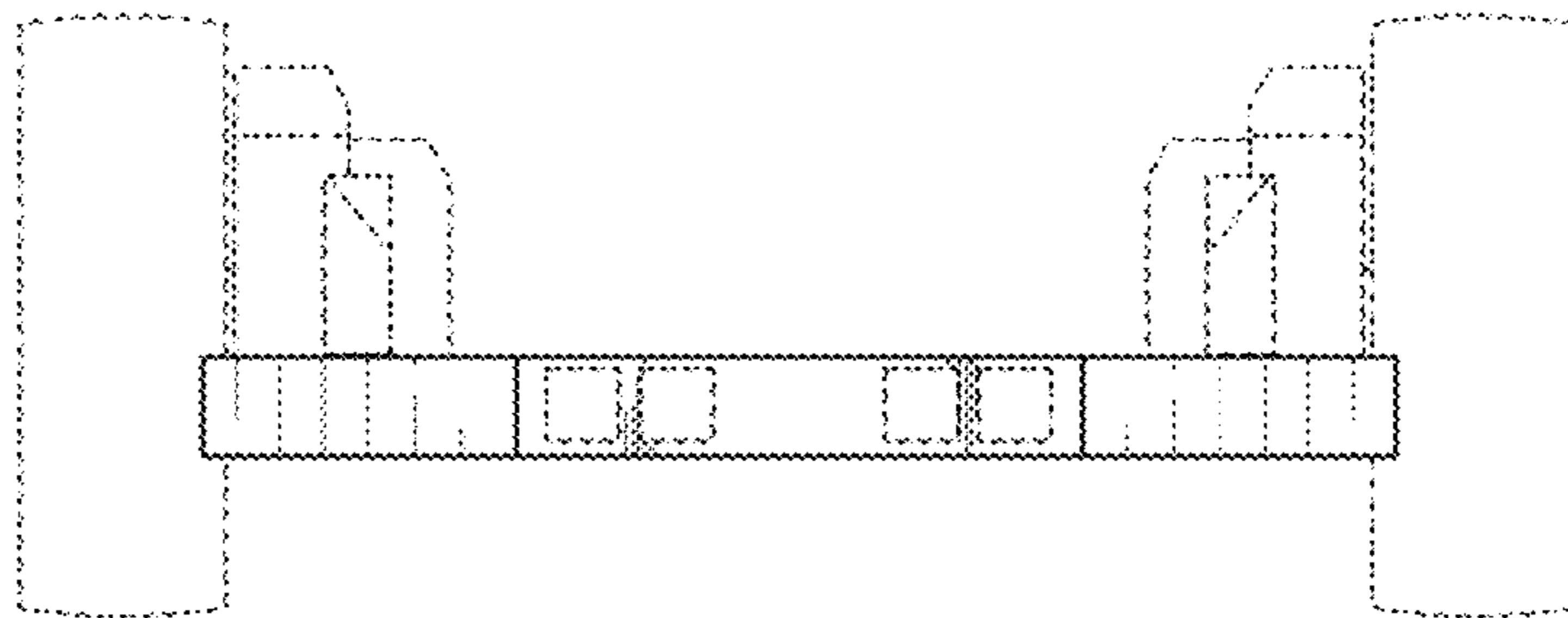
The Cornerstone of Next Generation Mobility, investor presentation of REE Automotive Ltd. from Feb. 3, 2021 [downloaded from <https://web.archive.org/web/20210203130454/https://investors.ree.auto/wp-content/uploads/2021/02/Investor-Presentation.pdf>].

* cited by examiner

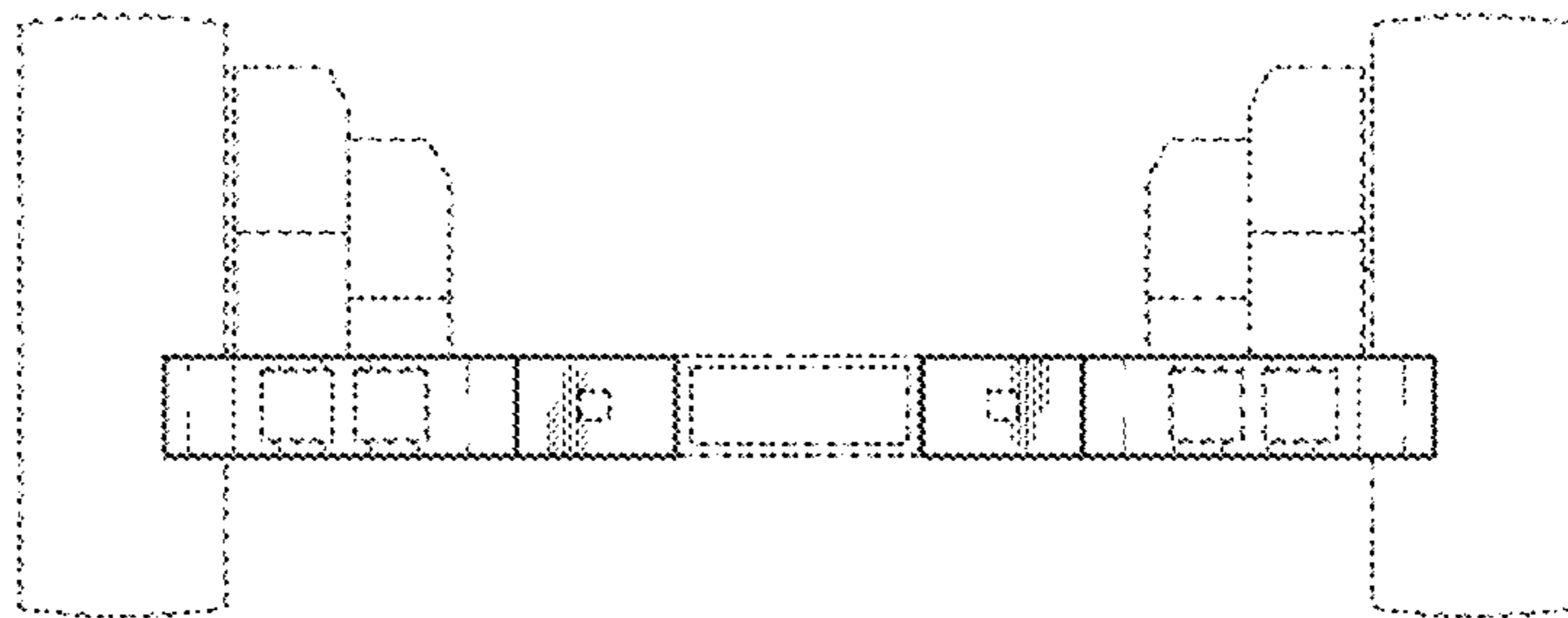
1.1



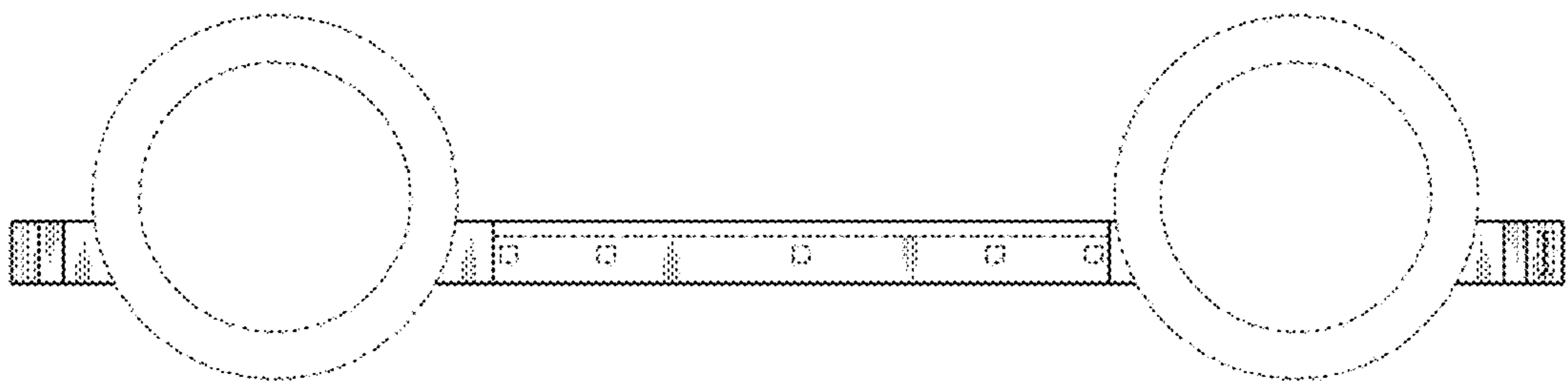
1.2



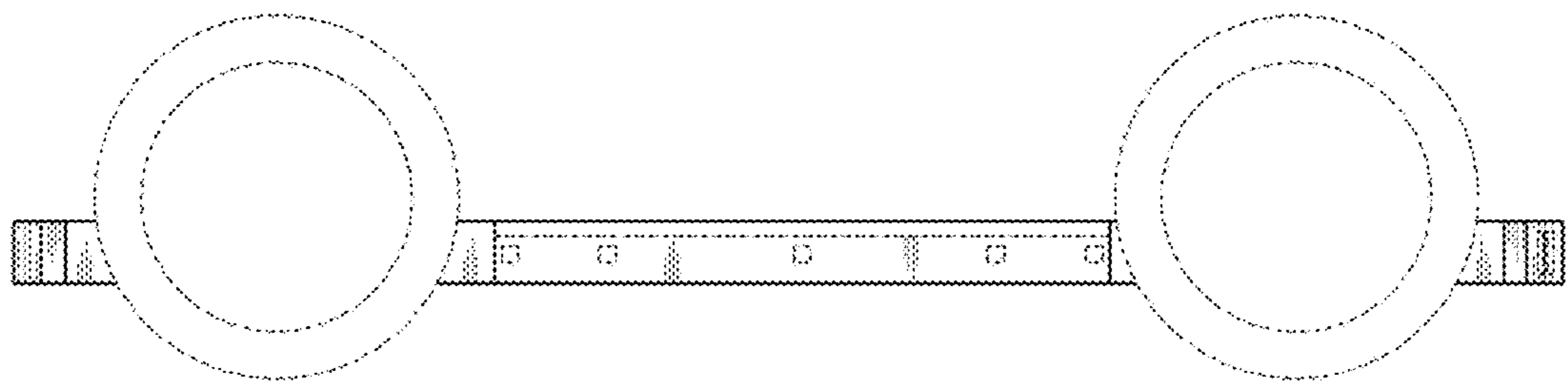
1.3



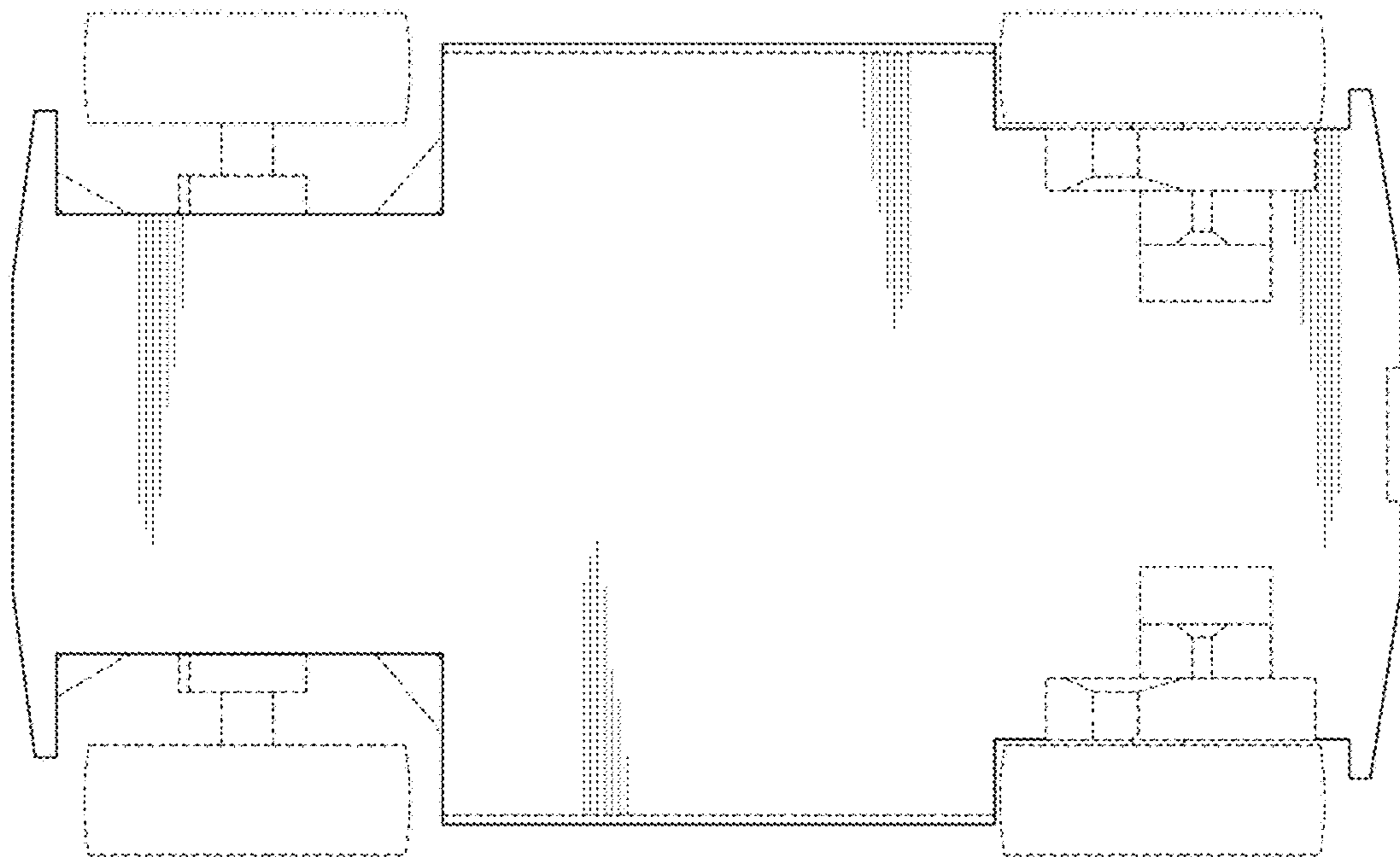
1.4



1.5



1.6



1.7

