



US00D966949S

(12) **United States Design Patent**
Van Varick et al.

(10) **Patent No.:** **US D966,949 S**
(45) **Date of Patent:** **** Oct. 18, 2022**

- (54) **WALKING FRAME**
- (71) Applicant: **CVS Pharmacy, Inc.**, Woonsocket, RI (US)
- (72) Inventors: **Robert Beale Van Varick**, Yardley, PA (US); **Donald Samuel Strum**, Princeton, NJ (US); **George Benjamin Wintner**, Brooklyn, NY (US); **Ryan Crist**, McFarland, WI (US); **Gregory P. Allison**, Allentown, PA (US)
- (73) Assignee: **CVS Pharmacy, Inc.**, Woonsocket, RI (US)

6,729,342	B2 *	5/2004	Serhan	A61H 3/00	135/67
D494,109	S *	8/2004	Karasin	D12/130	
6,886,575	B2 *	5/2005	Diamond	A45B 7/00	403/321
7,497,226	B2 *	3/2009	Li	A61H 3/00	135/74
7,703,465	B2 *	4/2010	Diamond	A45B 7/00	135/74
8,820,338	B1 *	9/2014	Catricala	A61H 3/00	135/75
D751,951	S *	3/2016	Andersen	D12/130	
D793,915	S *	8/2017	Wang	D12/130	
9,775,767	B1 *	10/2017	Khaligh	A61H 3/04	
D902,790	S *	11/2020	Nowak	D12/130	
2014/0109944	A1 *	4/2014	Triolo	A61H 3/00	135/67

(**) Term: **15 Years**

(21) Appl. No.: **29/818,916**

(22) Filed: **Dec. 10, 2021**

Related U.S. Application Data

(63) Continuation of application No. 17/404,718, filed on Aug. 17, 2021.

(51) **LOC (13) Cl.** **12-12**

(52) **U.S. Cl.**
USPC **D12/130**

(58) **Field of Classification Search**
USPC D24/130
CPC A61H 3/00; A61H 3/04; A61H 2003/001-007; A61H 2003/043; A61H 2003/046
See application file for complete search history.

(56) **References Cited**

U.S. PATENT DOCUMENTS

6,453,921	B1 *	9/2002	Rost	A61H 3/00	482/68
D480,666	S *	10/2003	Owens	D12/130	

* cited by examiner

Primary Examiner — Charles D Hanson

(74) *Attorney, Agent, or Firm* — Sheridan Ross P.C.

(57) **CLAIM**

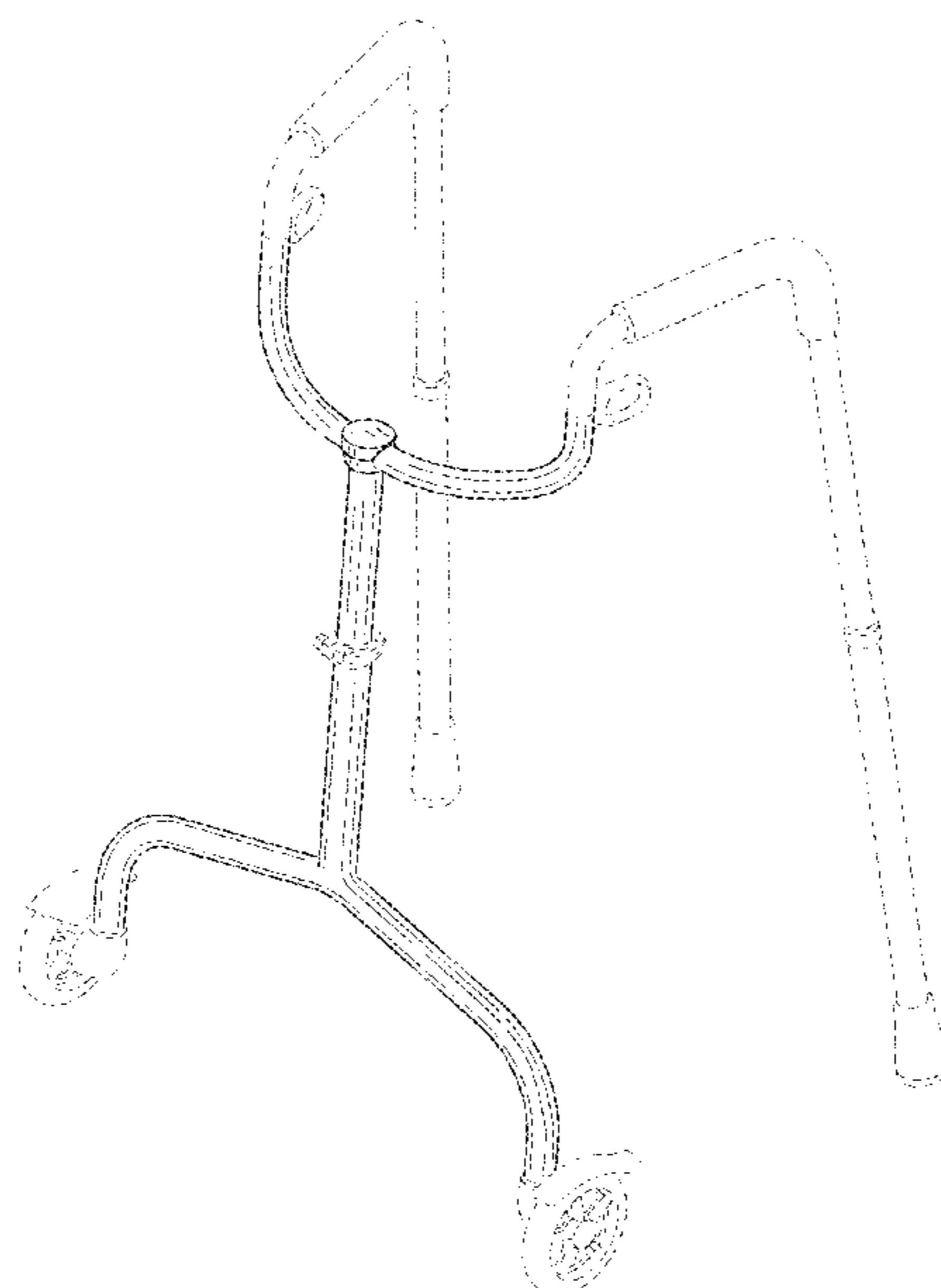
We claim the ornamental design for a walking frame, as shown and described.

DESCRIPTION

FIG. 1 is a top front perspective view of a walking frame; FIG. 2 is a bottom rear perspective view thereof; FIG. 3 is a front elevation view thereof; FIG. 4 is a rear elevation view thereof; FIG. 5 is a right side elevation view thereof; FIG. 6 is a left side elevation view thereof; FIG. 7 is a top plan view thereof; and, FIG. 8 is a bottom plan view thereof.

The broken lines in the drawings illustrate portions of the walking frame, which form no part of the claimed design.

1 Claim, 8 Drawing Sheets



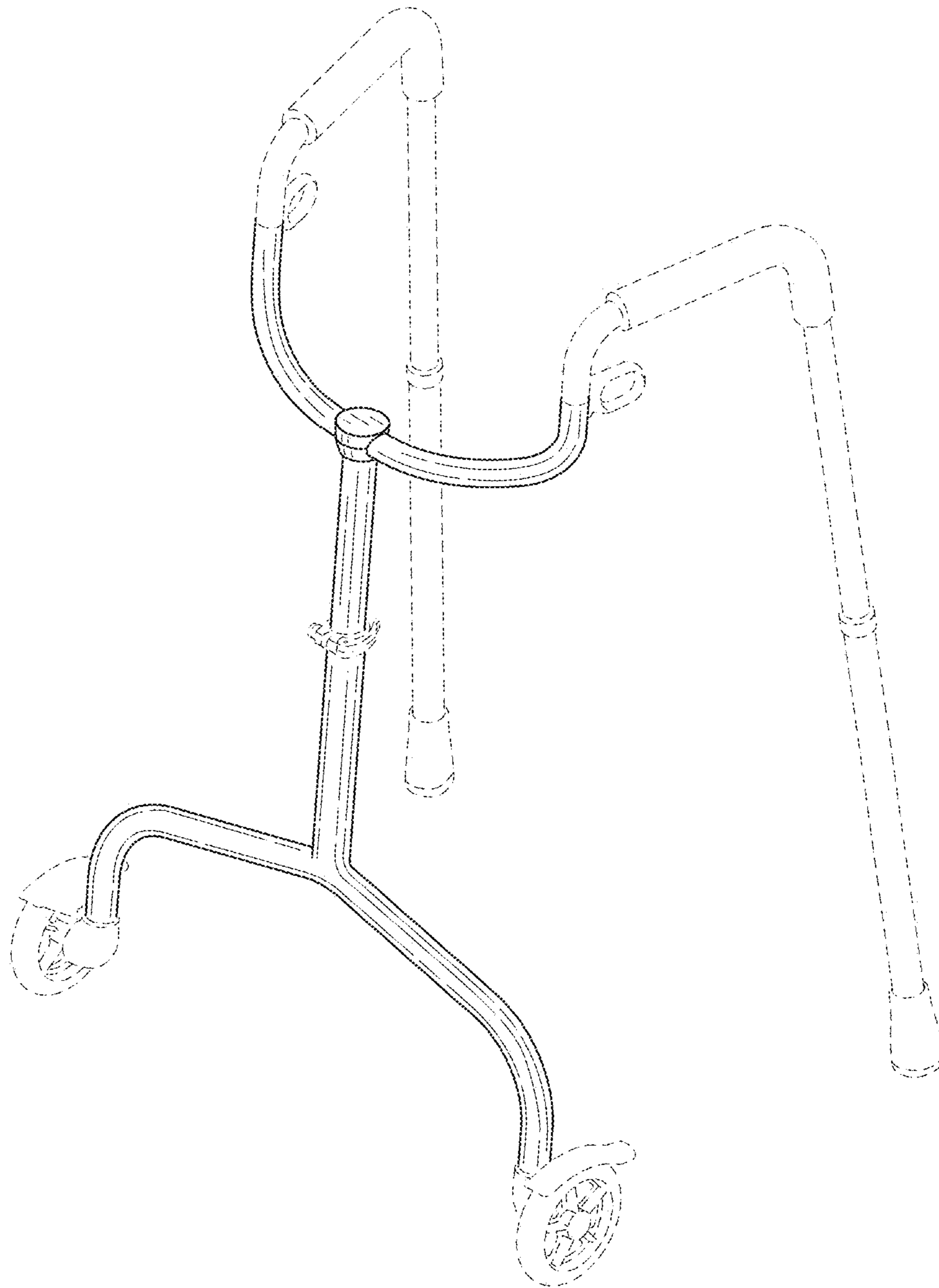


FIG.1

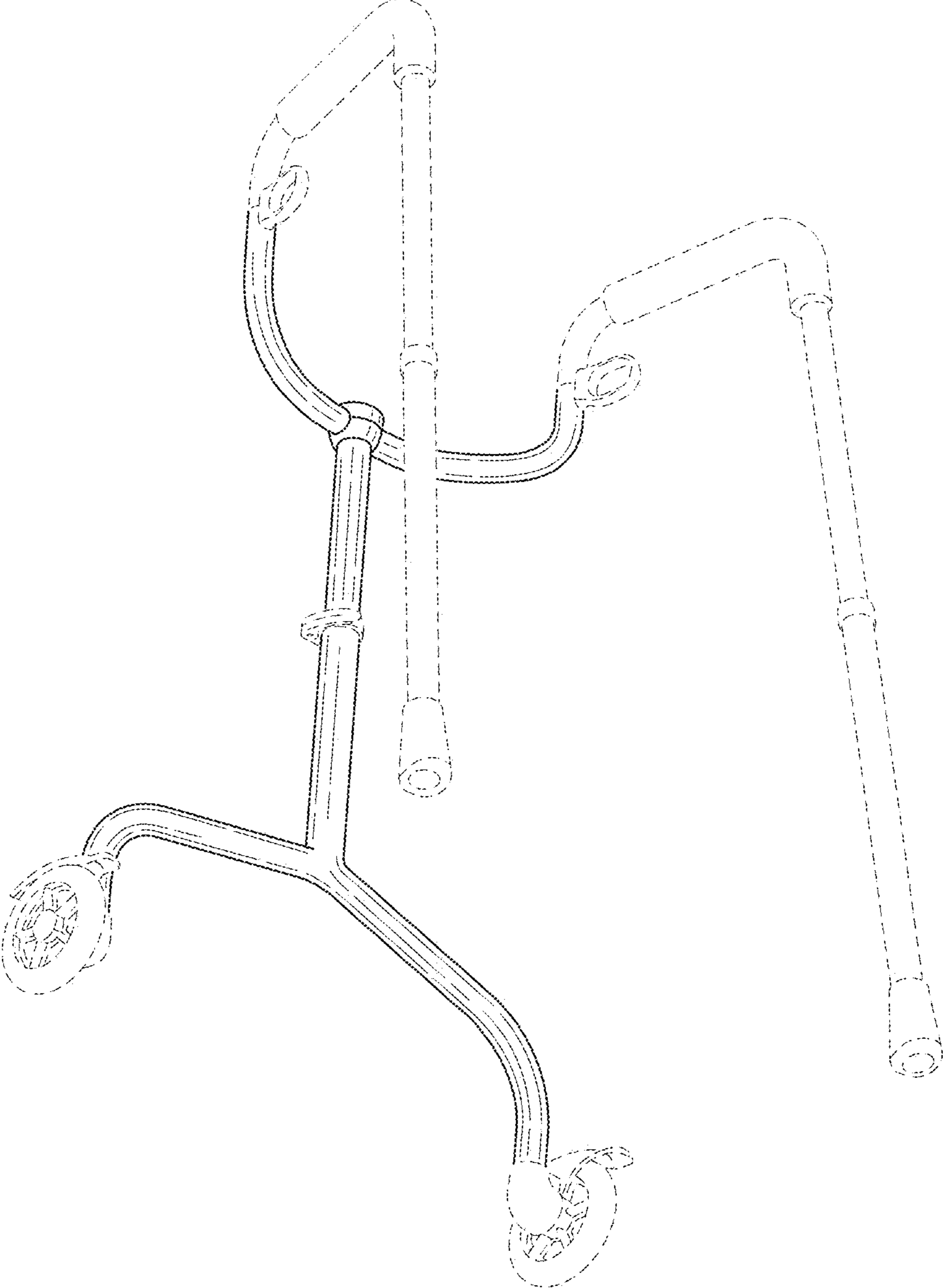


FIG.2

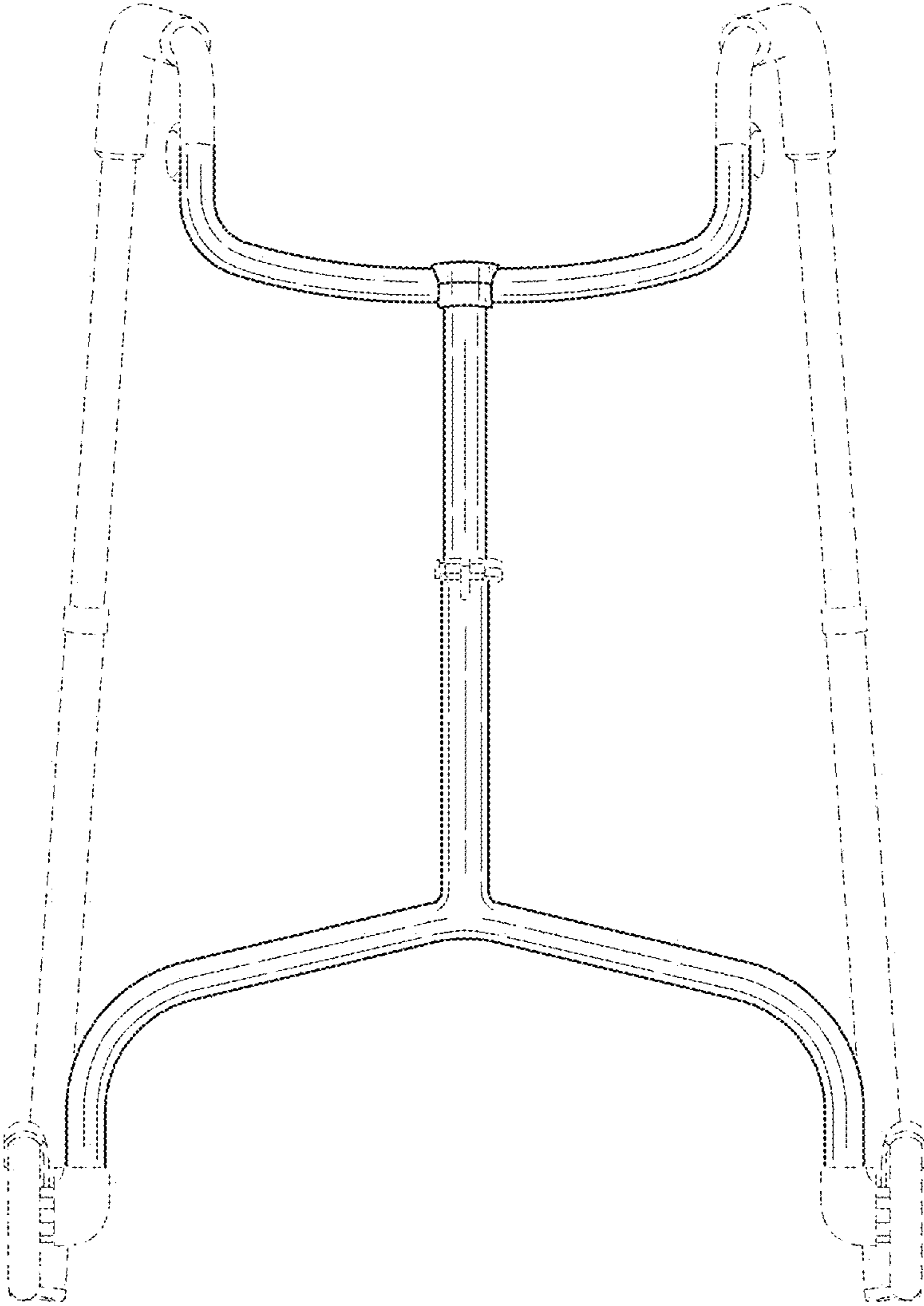


FIG.3

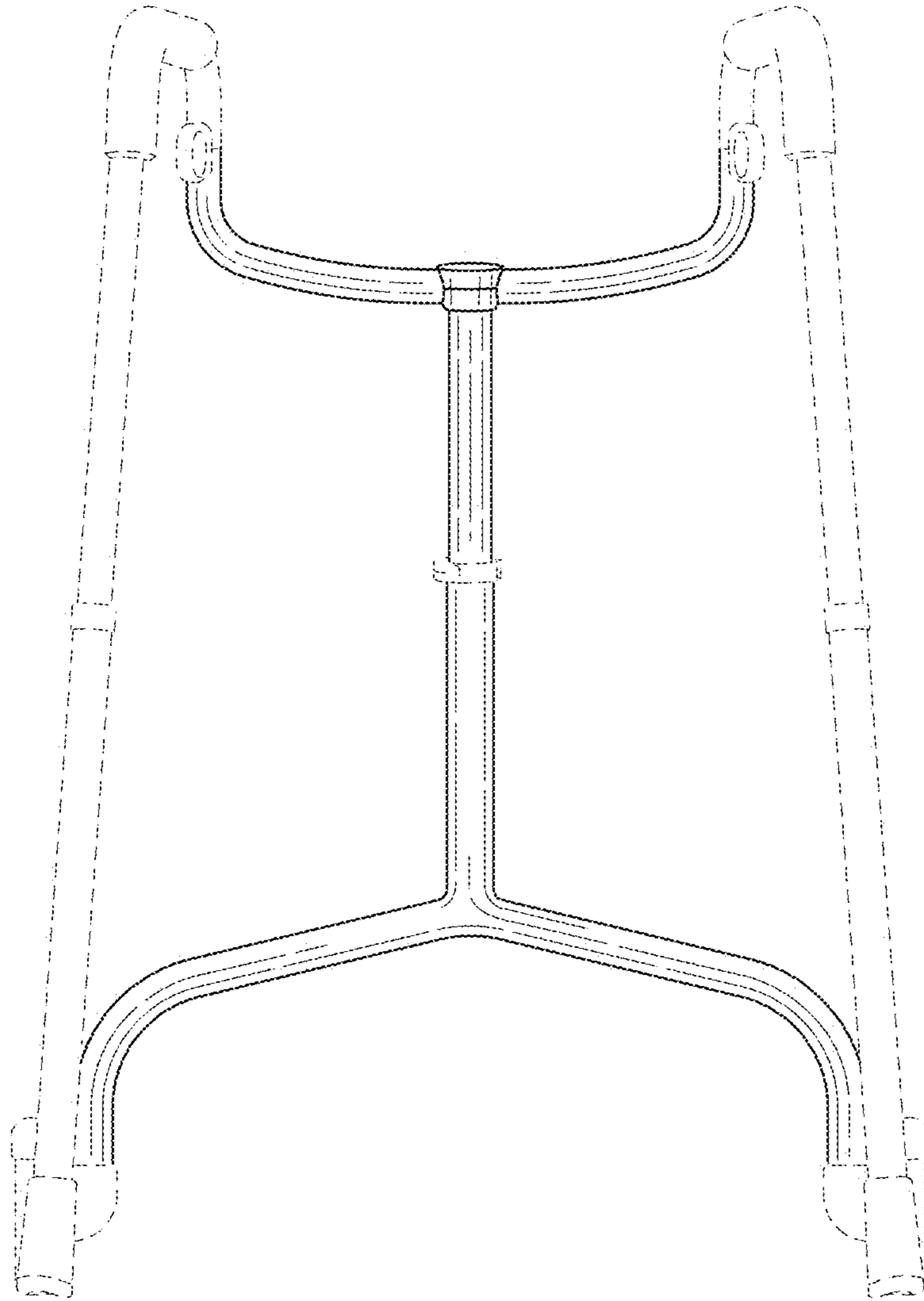


FIG.4

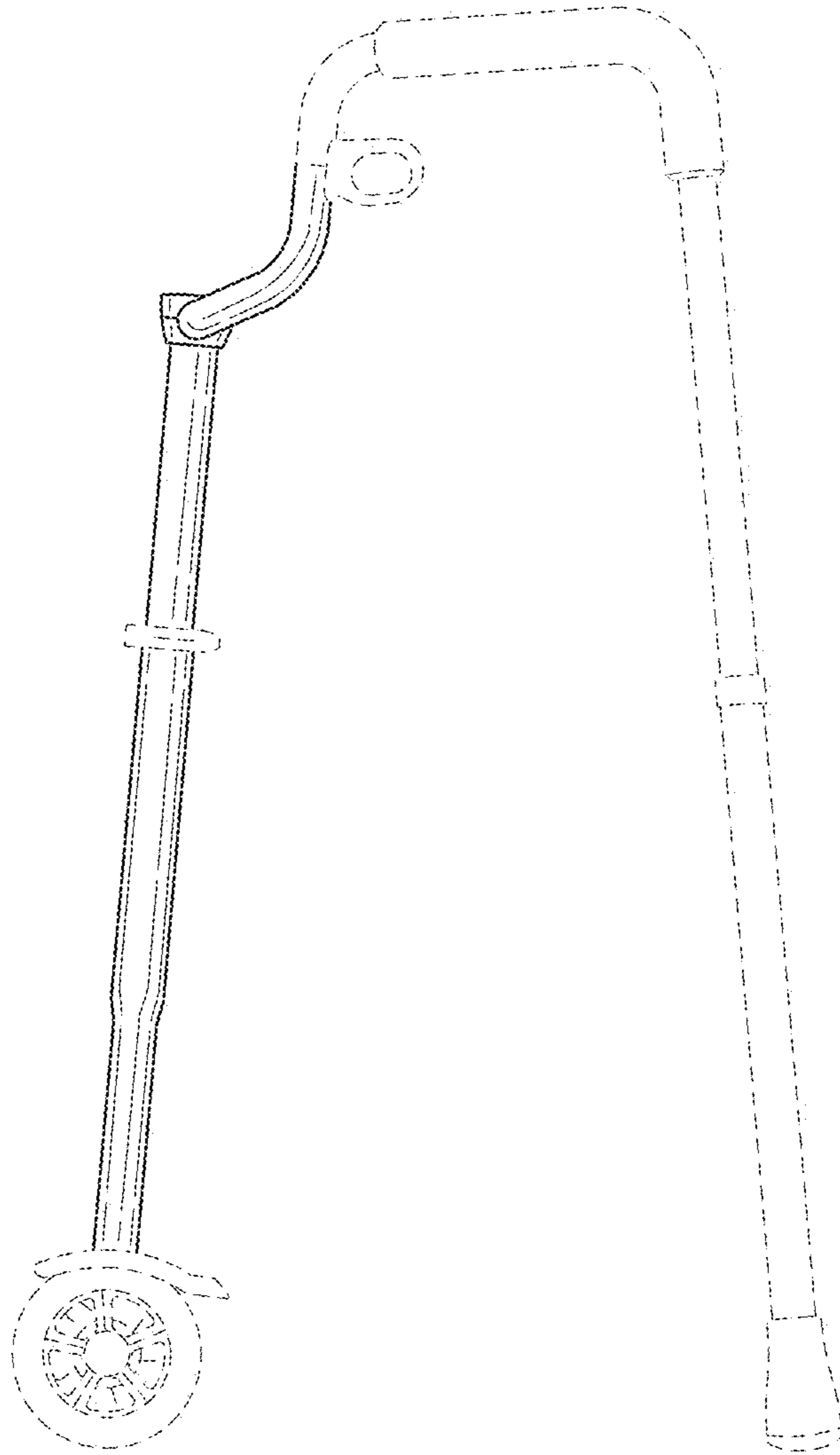


FIG.5

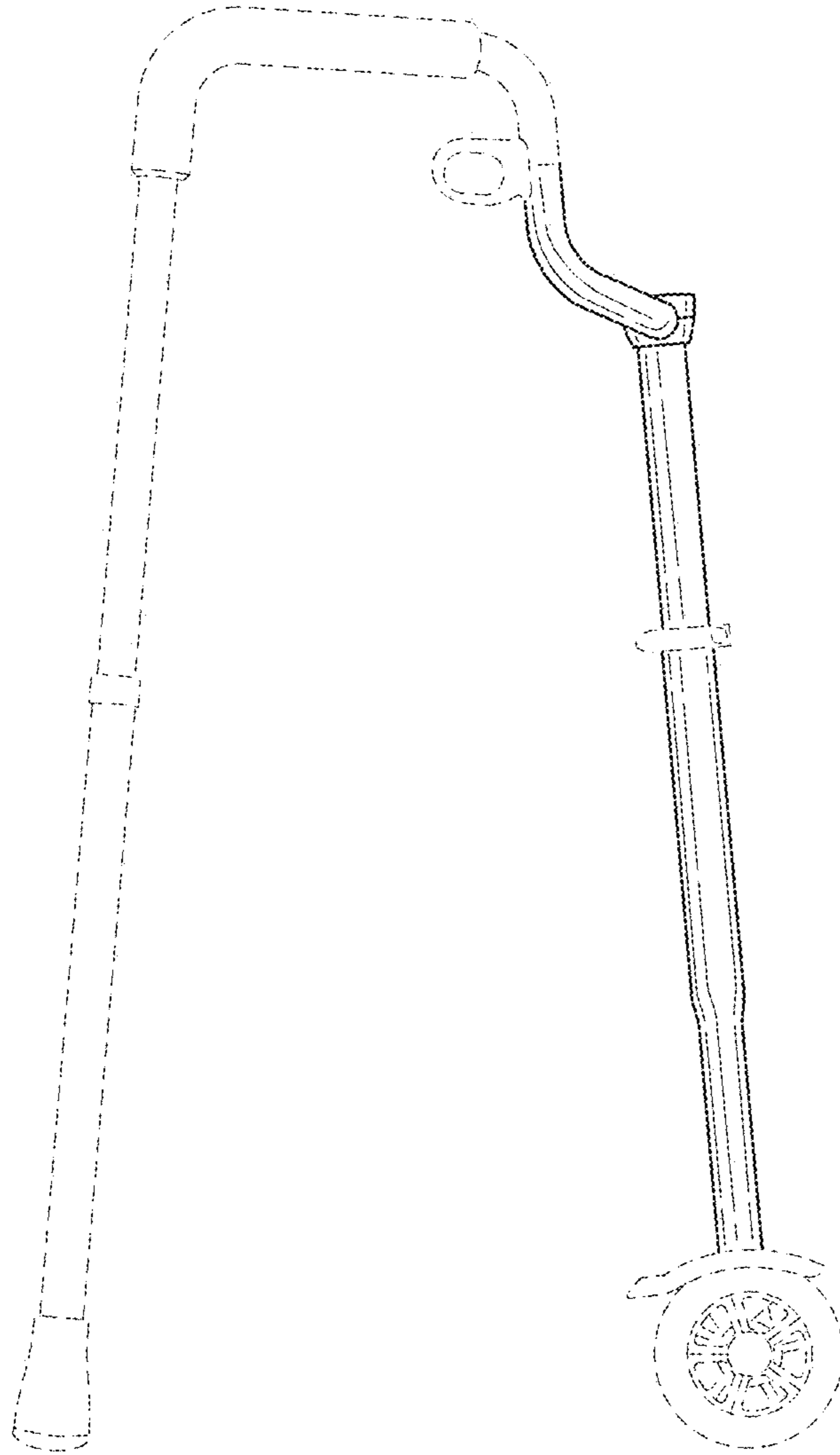


FIG.6

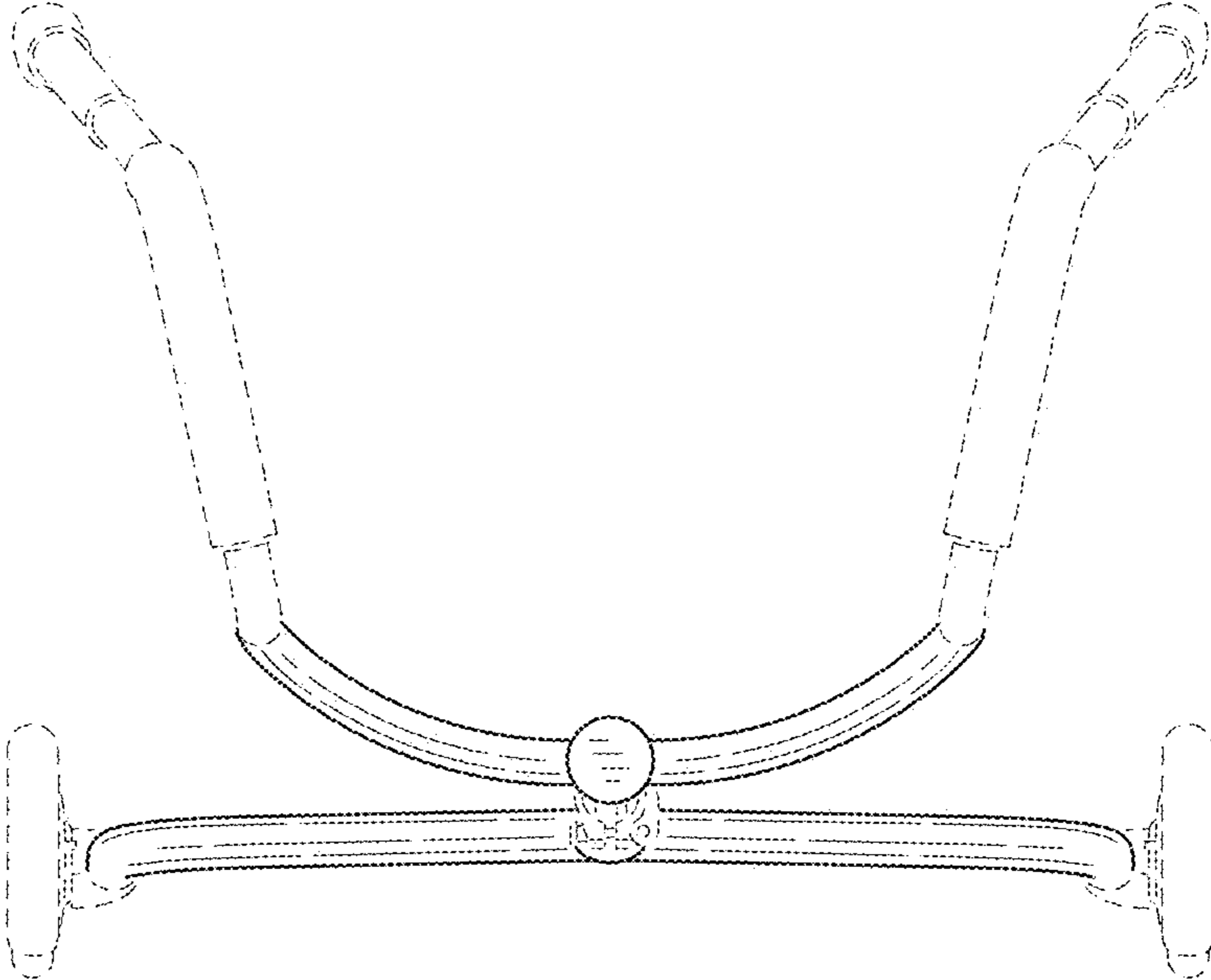


FIG.7

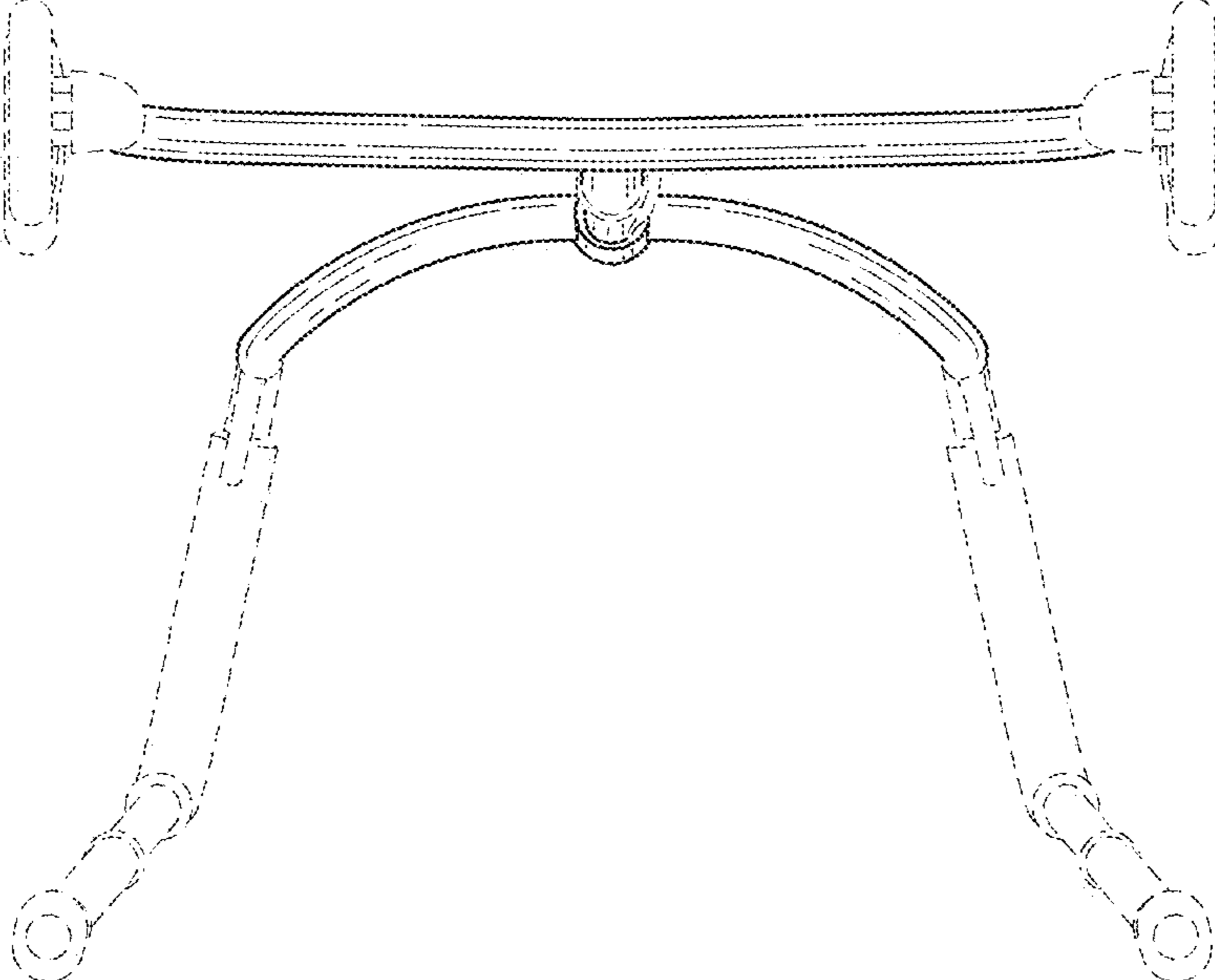


FIG.8