



US00D966948S

(12) **United States Design Patent**  
**Zhang**

(10) **Patent No.:** **US D966,948 S**

(45) **Date of Patent:** **\*\* Oct. 18, 2022**

(54) **ROLLATOR**

(71) Applicant: **Foshan HuaFuKang Medical Technology Co., Ltd., Foshan (CN)**

(72) Inventor: **Haiwei Zhang, Foshan (CN)**

(73) Assignee: **Foshan HuaFuKang Medical Technology Co., Ltd., Foshan (CN)**

(\*\*) Term: **15 Years**

(21) Appl. No.: **29/780,153**

(22) Filed: **Apr. 22, 2021**

(51) **LOC (13) Cl.** ..... **12-12**

(52) **U.S. Cl.**  
USPC ..... **D12/130**

(58) **Field of Classification Search**  
USPC ..... D12/130  
CPC ..... A61H 3/00; A61H 3/04; A61H  
2003/001-007; A61H 2003/043; A61H  
2003/046

See application file for complete search history.

(56) **References Cited**

**U.S. PATENT DOCUMENTS**

D396,437 S \* 7/1998 Liljedahl ..... D12/130  
D503,909 S \* 4/2005 Tolfsen ..... D12/130

D519,423 S \* 4/2006 Tolfsen ..... D12/130  
D739,314 S \* 9/2015 Wang ..... D12/130  
D754,568 S \* 4/2016 Wang ..... D12/130  
D766,139 S \* 9/2016 Chen ..... D12/130  
D819,503 S \* 6/2018 Huang ..... D12/130  
D941,193 S \* 1/2022 Cheng ..... D12/130  
D953,210 S \* 5/2022 Lu ..... D12/130  
2014/0265238 A1 \* 9/2014 Storm ..... A47C 7/52  
280/304.1

\* cited by examiner

*Primary Examiner* — Charles D Hanson

(74) *Attorney, Agent, or Firm* — Jeenam Park

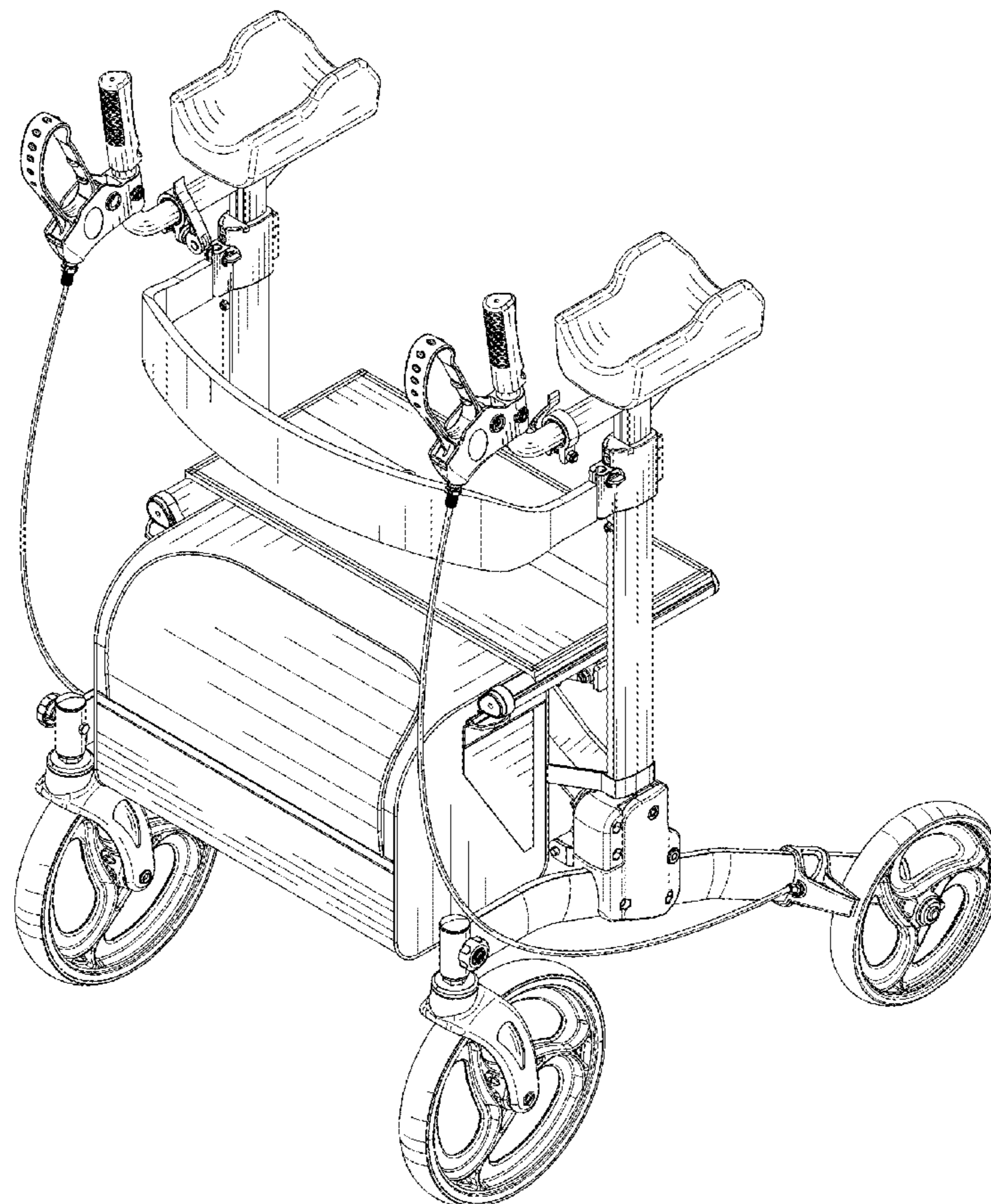
(57) **CLAIM**

The ornamental design for a rollator, as shown and described.

**DESCRIPTION**

FIG. 1 is a perspective view of a rollator showing my design; FIG. 2 is a front elevation view thereof; FIG. 3 is a back elevation view thereof; FIG. 4 is a left side view thereof; FIG. 5 is a right side view thereof; FIG. 6 is a top plan view thereof; and, FIG. 7 is a bottom plan view thereof.

**1 Claim, 7 Drawing Sheets**



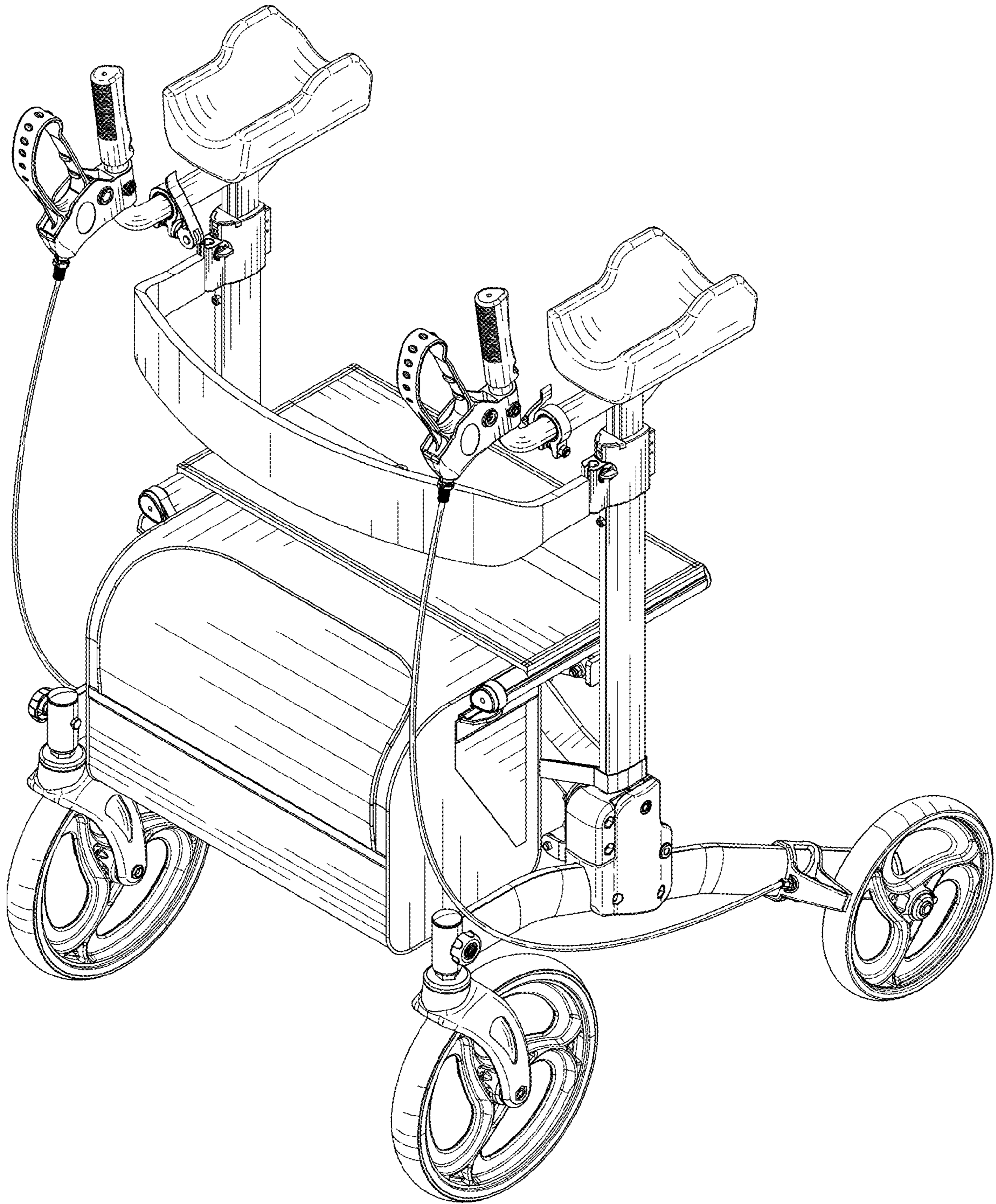


FIG.1

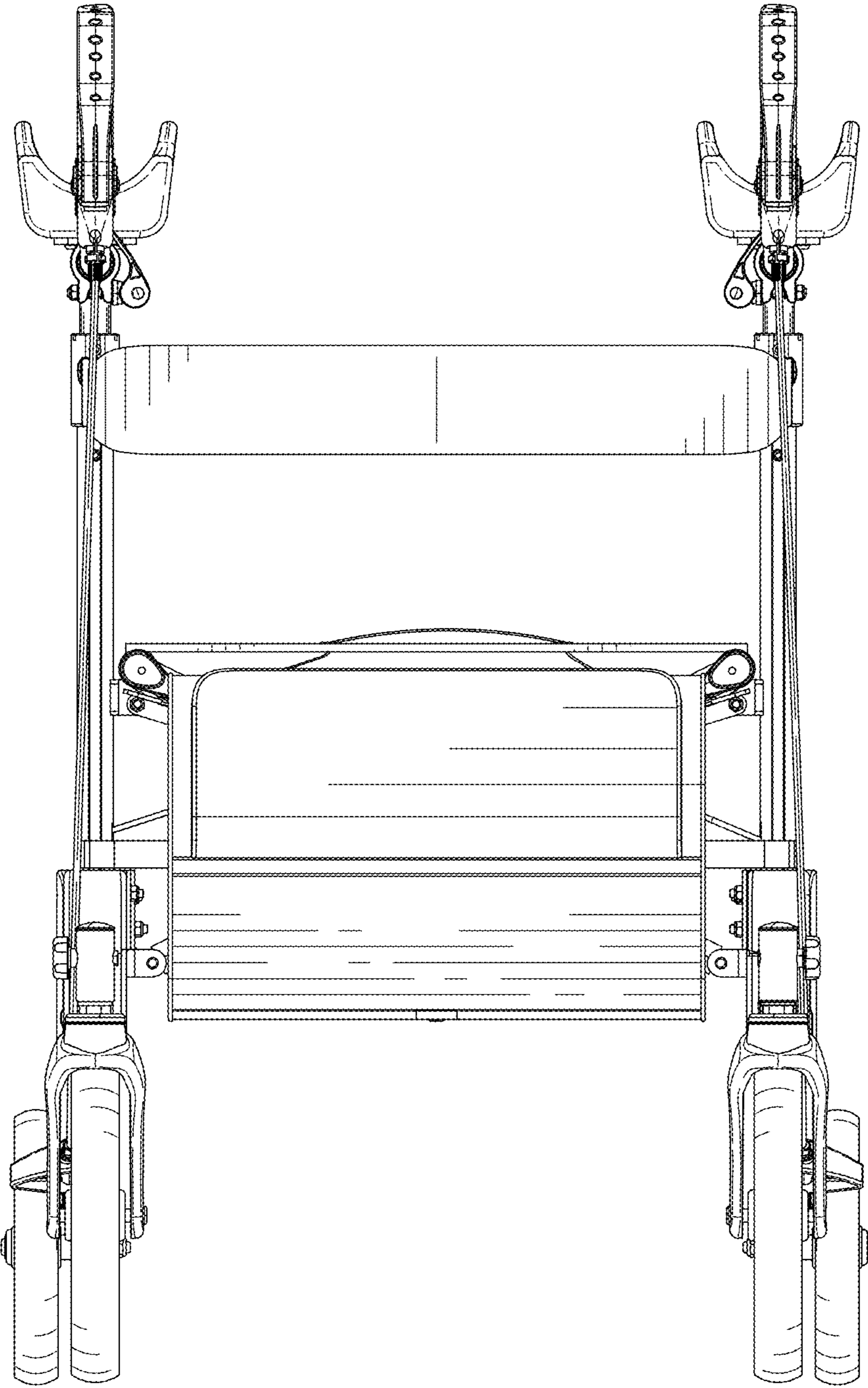


FIG.2

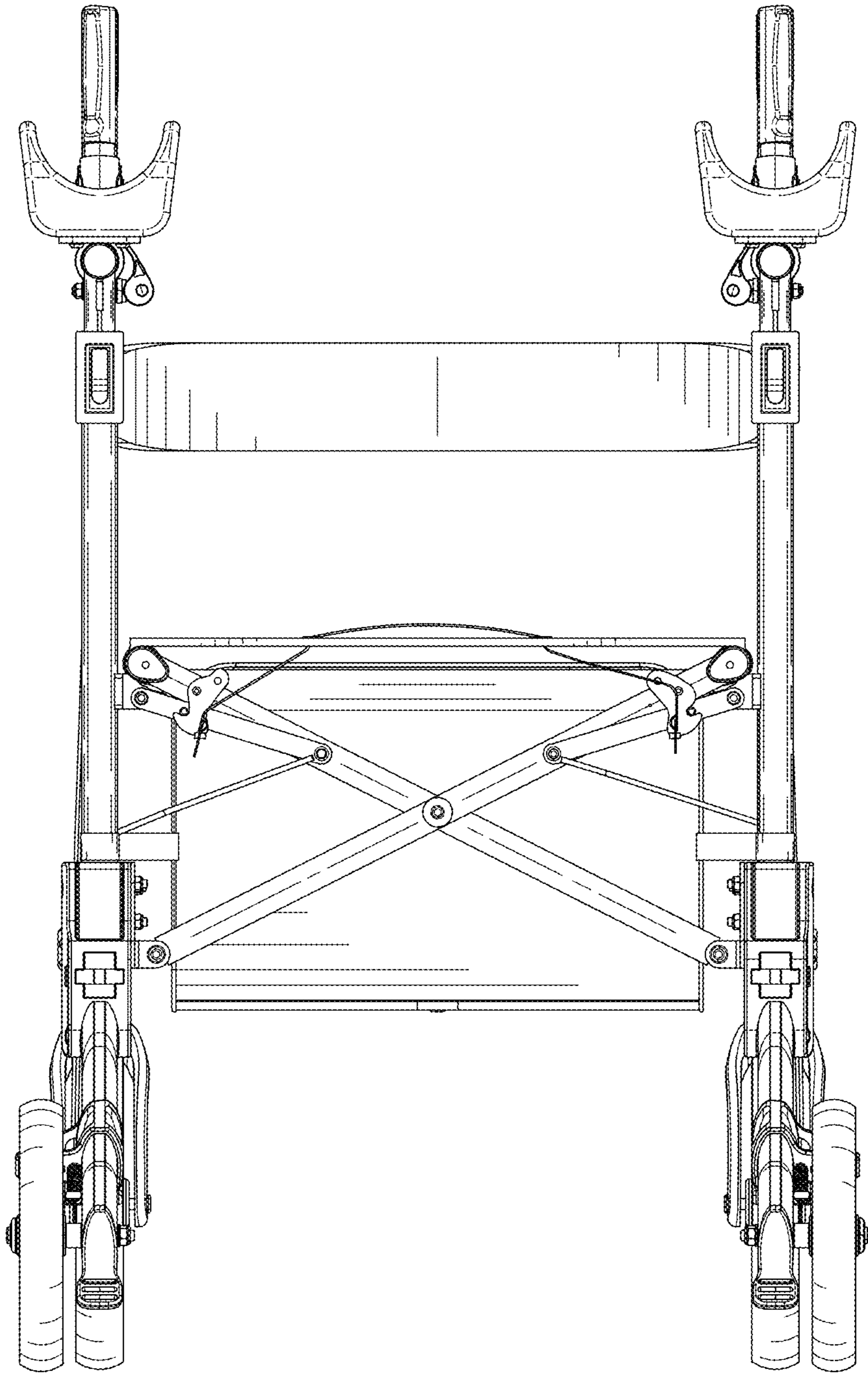


FIG.3

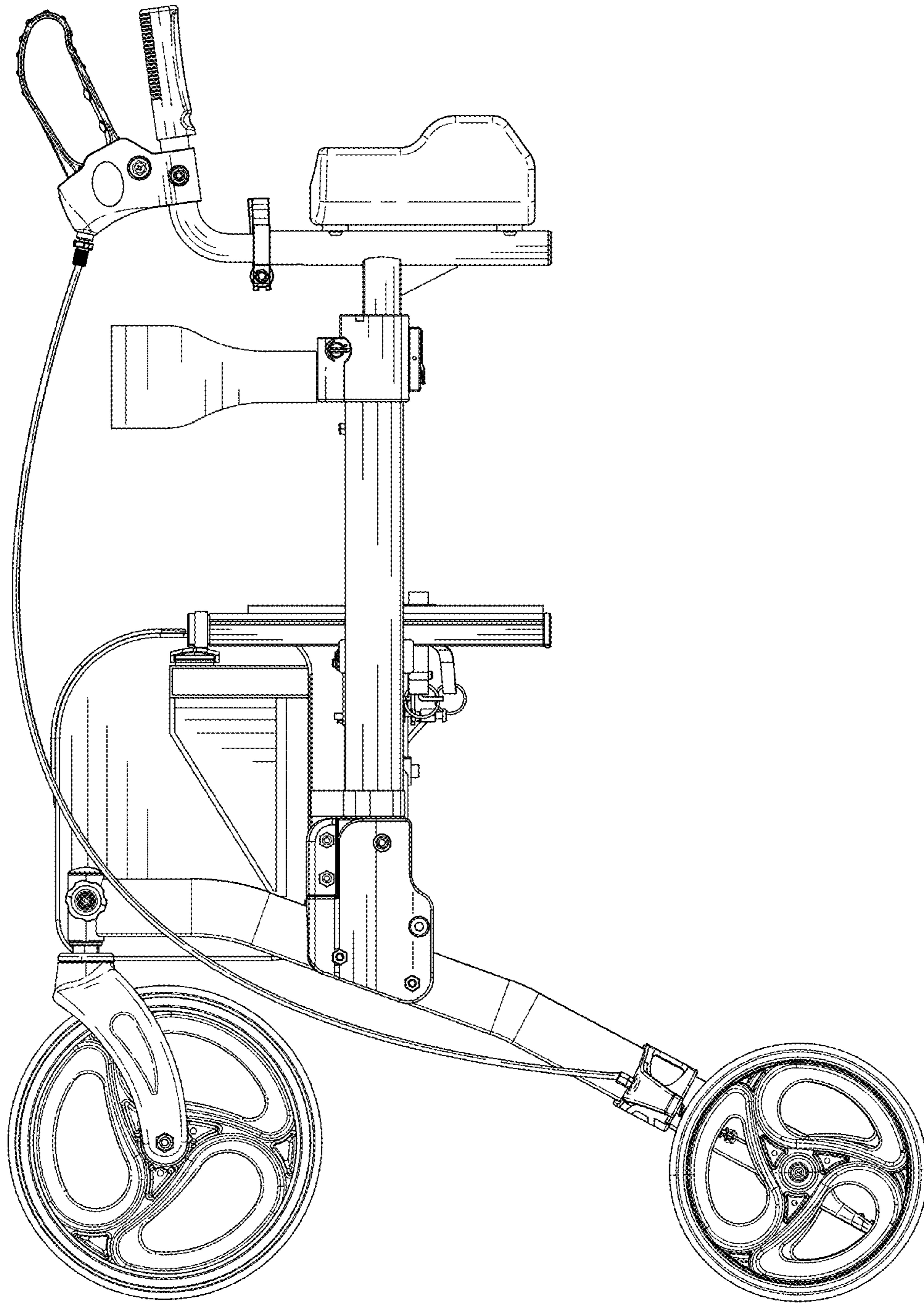


FIG.4

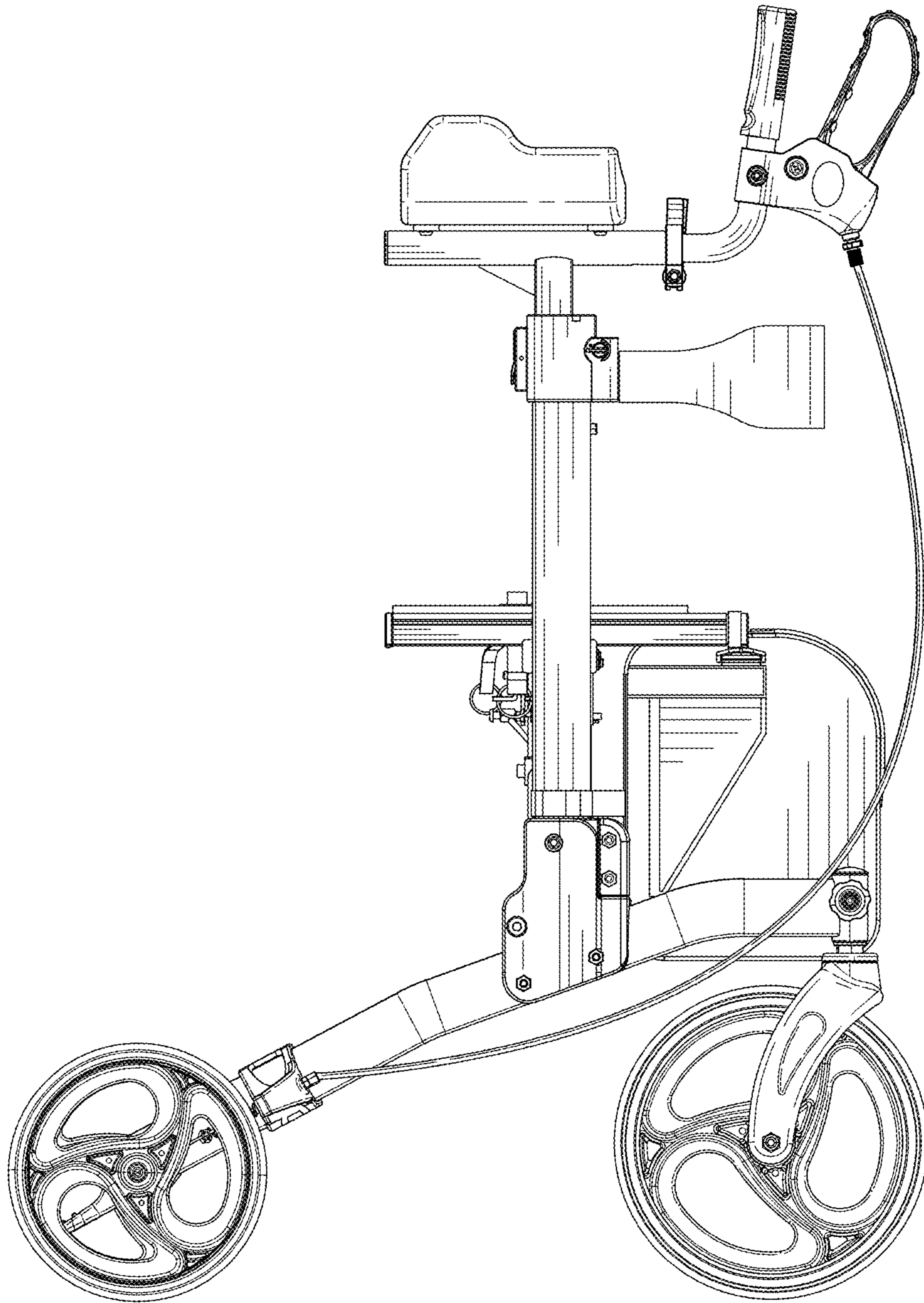


FIG.5

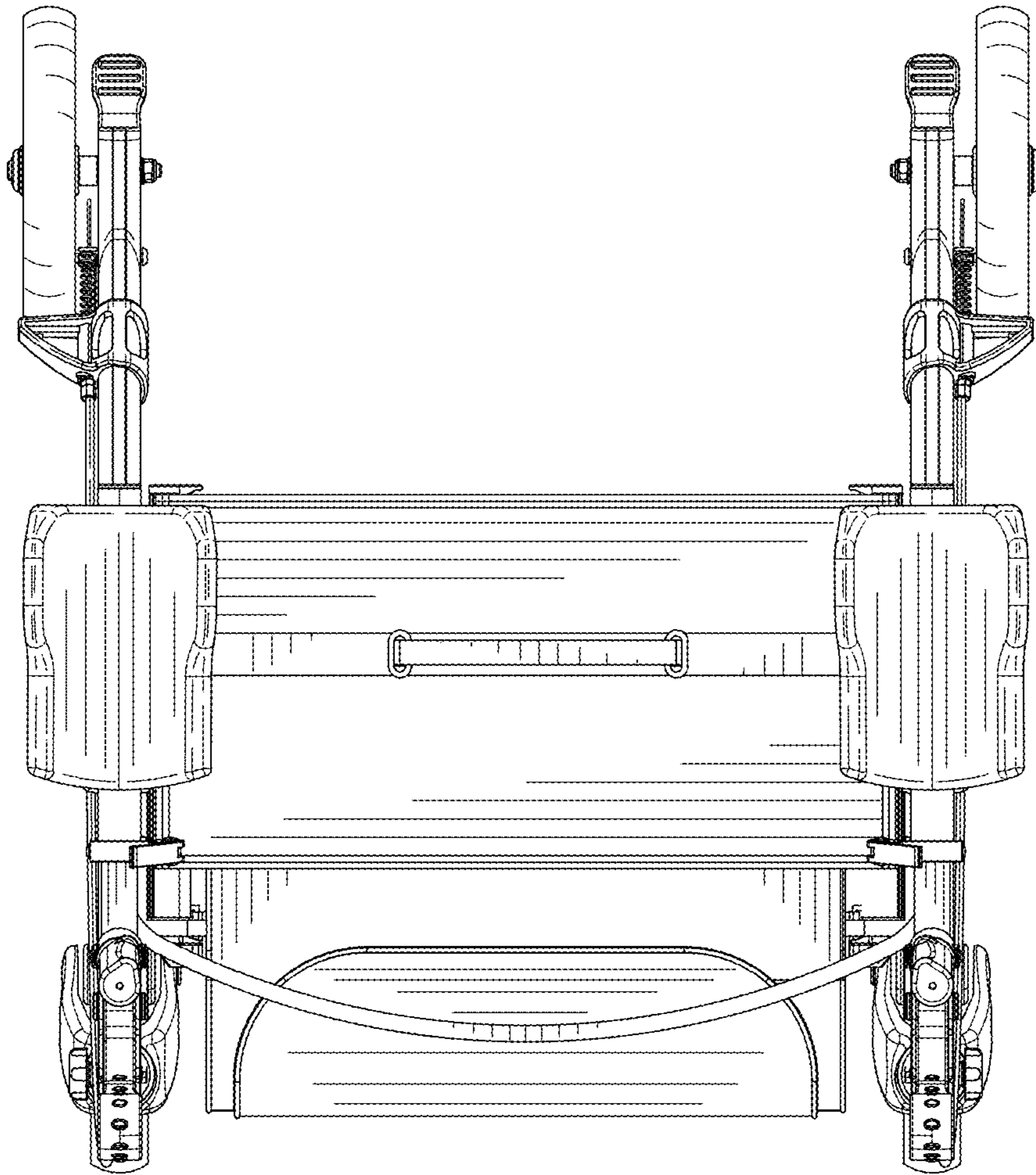


FIG.6

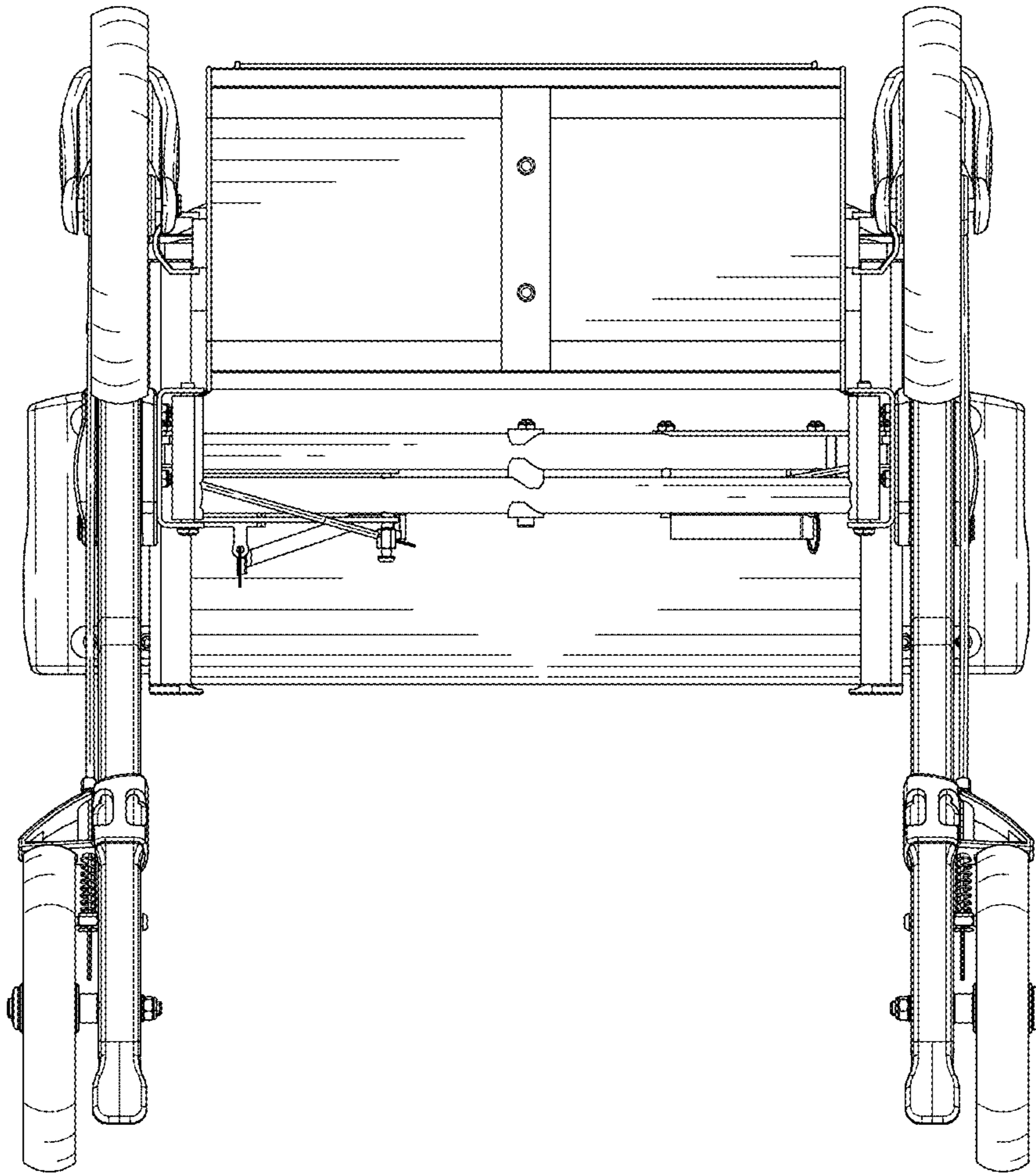


FIG. 7