



US00D966947S

(12) **United States Design Patent** (10) **Patent No.:** **US D966,947 S**
Peek (45) **Date of Patent:** **** Oct. 18, 2022**

(54) **BICYCLE**

FOREIGN PATENT DOCUMENTS

(71) Applicant: **Hagen Bikes OÜ**, Peetri alevik (EE)

CN 202130589252.3 * 1/2022

(72) Inventor: **Kaspar Peek**, Peetri alevik (EE)

OTHER PUBLICATIONS

(**) Term: **15 Years**

(21) Appl. No.: **35/512,662**

(22) Filed: **Sep. 13, 2021**

(80) **Hague Agreement Data**

Int. Filing Date: **Sep. 13, 2021**

Int. Reg. No.: **DM/216371**

Int. Reg. Date: **Sep. 13, 2021**

Int. Reg. Pub. Date: **Oct. 1, 2021**

“KP Cyclery Nighthawk, EU-made cargo bike” KP Cyclery., posted date Apr. 20, 2021 [online], [retrieved on Aug. 10, 2022]. Retrieved from the Internet <URL: <https://bikerumor.com/kp-cyclery-nighthawk-eu-made-cargo-bike-mixes-smooth-steel-ride-affordable-options/>> (Year: 2021).*

“Custom XXL Cargo Bike” KP Cyclery., posted date Sep. 9, 2021 [online], [retrieved on Aug. 10, 2022]. Retrieved from the Internet <URL: <https://kpcyclery.com/custom-xxl-cargo-bike/>> (Year: 2021).*

“Is Urban Arrow’s new family electric cargo bike the luxury SUV of the e-bike world?” Urban Arrow., posted date Jun. 14, 2022 [online], [retrieved on Aug. 10, 2022]. Retrieved from the Internet <URL: <https://electrek.co/2022/06/14/urban-arrow-family-cargo-electric-bike/>> (Year: 2022).*

(51) **LOC (13) Cl.** **12-11**

(52) **U.S. Cl.**
USPC **D12/111**

(58) **Field of Classification Search**
USPC D12/111, 117; D21/412, 414, 419,
D21/423–428, 431–435
CPC B62K 3/00; B62K 3/02; B62K 3/06
See application file for complete search history.

(Continued)

Primary Examiner — Darlington Ly

Assistant Examiner — Nasim Abdulaziz Ali

(56) **References Cited**

U.S. PATENT DOCUMENTS

| | | | | |
|-------------------|---------|------------|-------|------------|
| D414,721 S * | 10/1999 | Nakamura | | D12/110 |
| D642,095 S * | 7/2011 | Jacobs | | D12/407 |
| D696,984 S * | 1/2014 | Haupt | | D12/112 |
| D709,801 S * | 7/2014 | Kristensen | | D12/111 |
| D776,015 S * | 1/2017 | Teal | | B62M 1/26 |
| | | | | D12/111 |
| D931,146 S * | 9/2021 | Huang | | D12/111 |
| D938,314 S * | 12/2021 | Gray | | D12/111 |
| 2011/0240391 A1 * | 10/2011 | Bonneville | | B60L 50/52 |
| | | | | 180/220 |
| 2021/0347428 A1 * | 11/2021 | Radenbaugh | | B62J 25/06 |
| 2022/0144369 A1 * | 5/2022 | Praveen | | B62J 25/00 |

(57) **CLAIM**

The ornamental design for a bicycle, as shown and described.

DESCRIPTION

1. Bicycle

1.1 is a front elevation view of a bicycle embodying my new design;

1.2 is a right side elevation view thereof;

1.3 is a rear elevation view thereof;

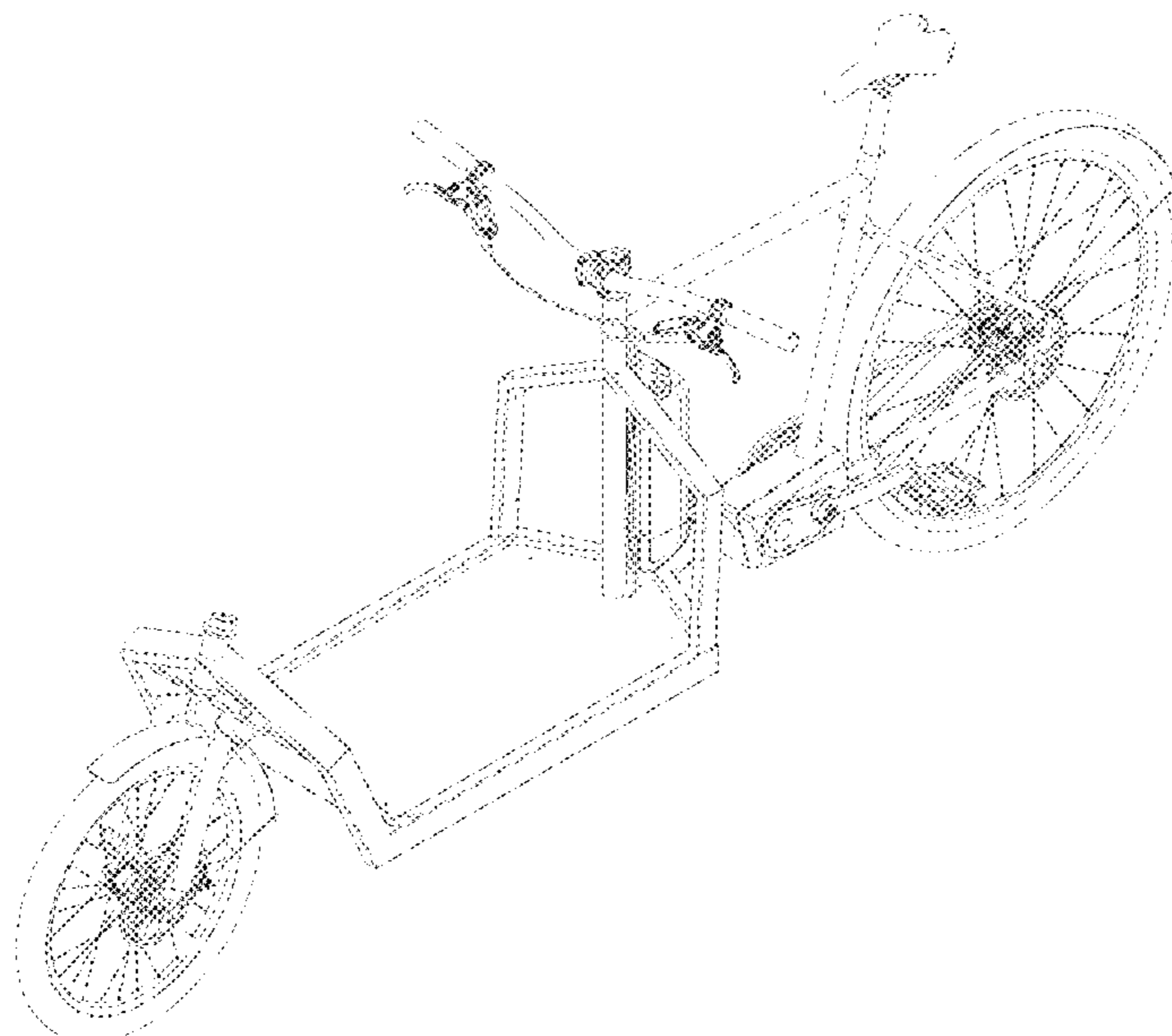
1.4 is a left side elevation view thereof;

1.5 is a top plan view thereof;

1.6 is a bottom plan view thereof; and

1.7 is a front and left side perspective view thereof.

1 Claim, 7 Drawing Sheets



(56)

References Cited

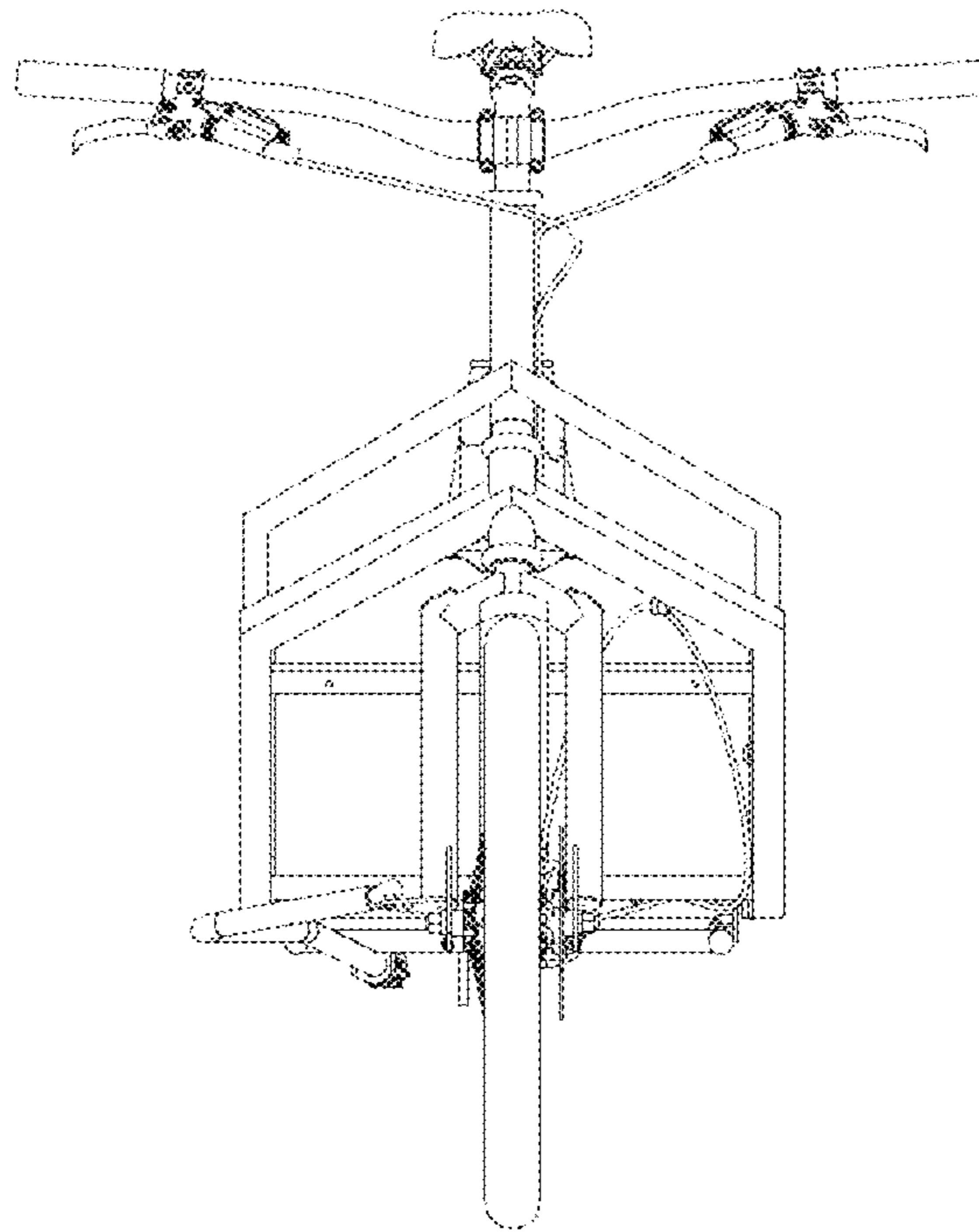
OTHER PUBLICATIONS

“Supercargo” YUBA., posted date Apr. 24, 2022 [online], [retrieved on Aug. 10, 2022]. Retrieved from the Internet <URL: <https://yubabikes.com/cargobikestore/supercargo/>> (Year: 2022).*

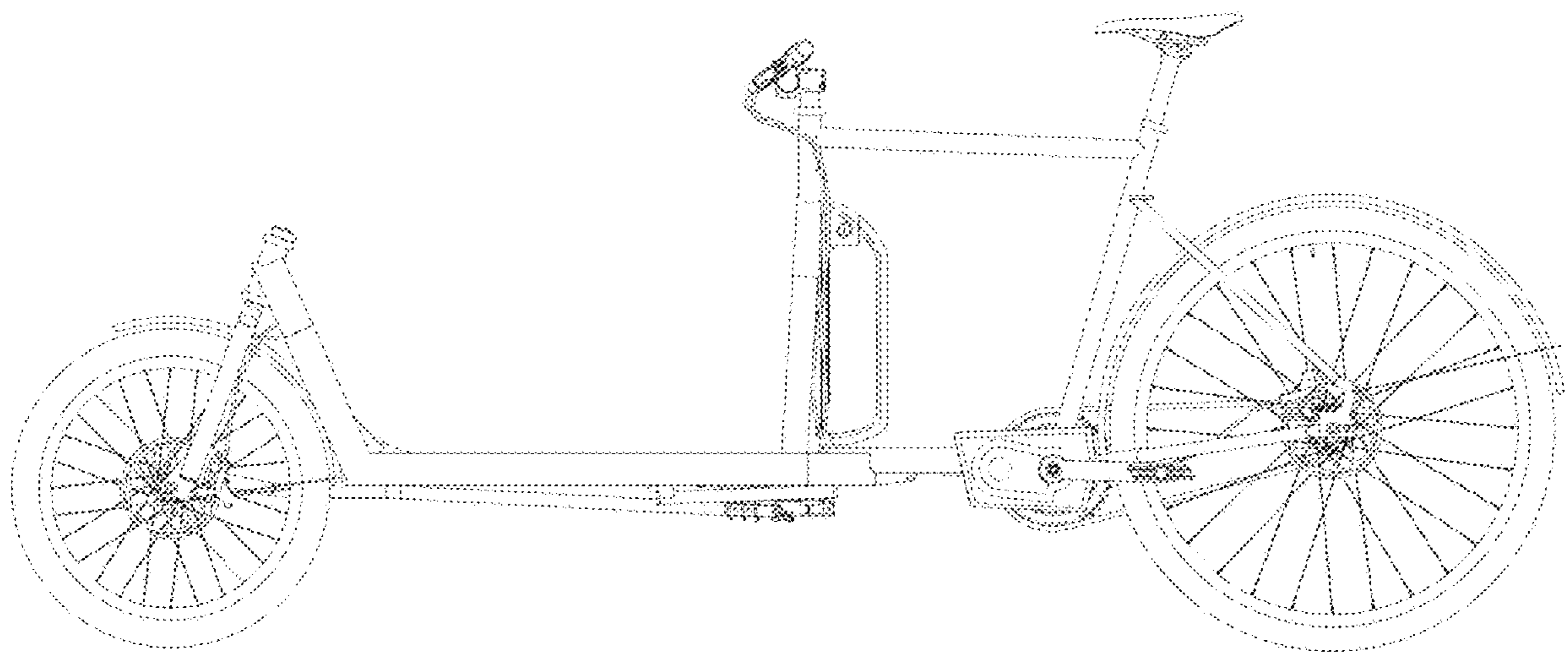
“Cargo eBike” Bosch., posted date Jul. 12, 2022 [online], [retrieved on Aug. 10, 2022]. Retrieved from the Internet <URL: <https://www.bosch-ebike.com/us/lp/cargo-ebike-powered-by-bosch-ebike>> (Year: 2022).*

* cited by examiner

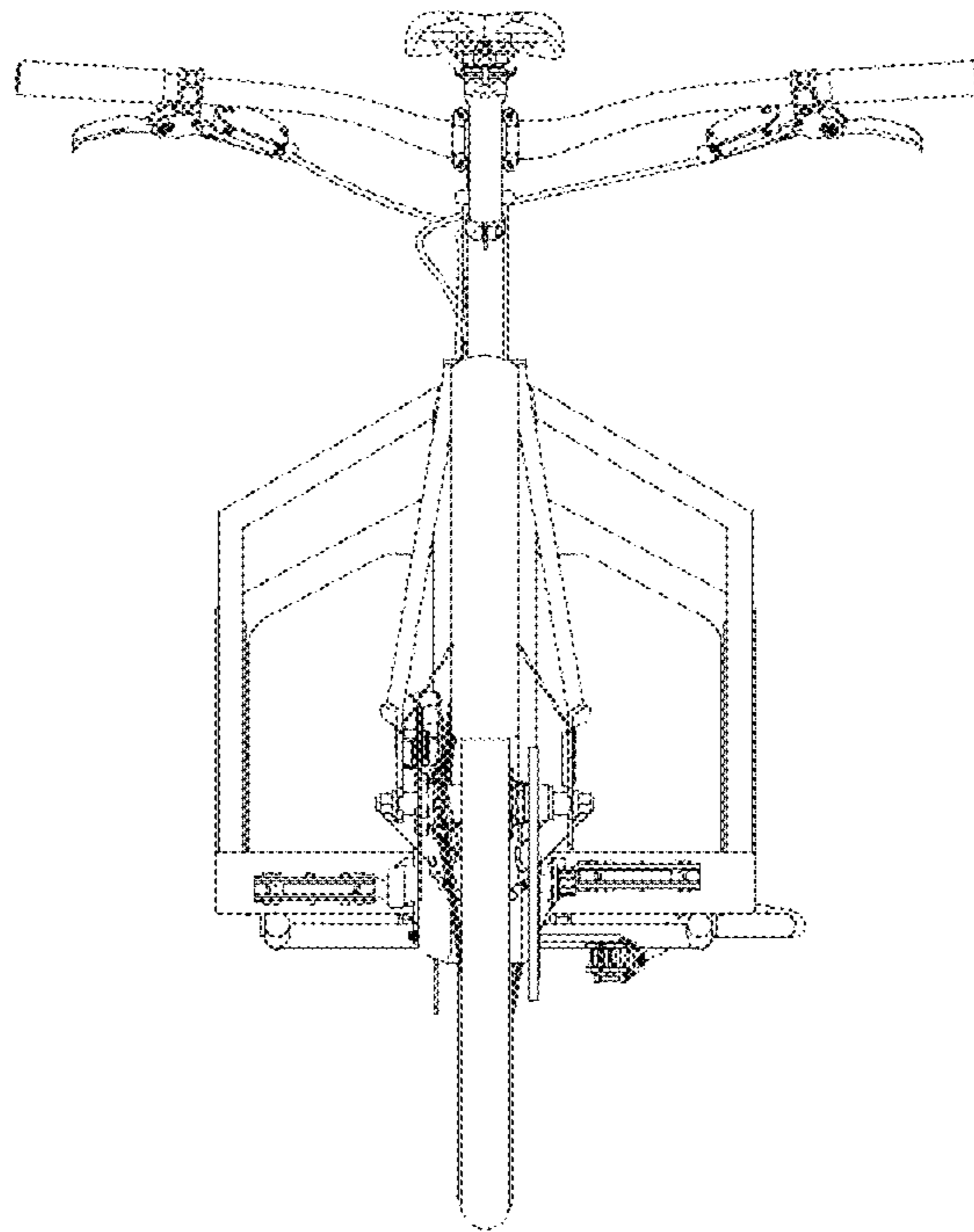
1.1



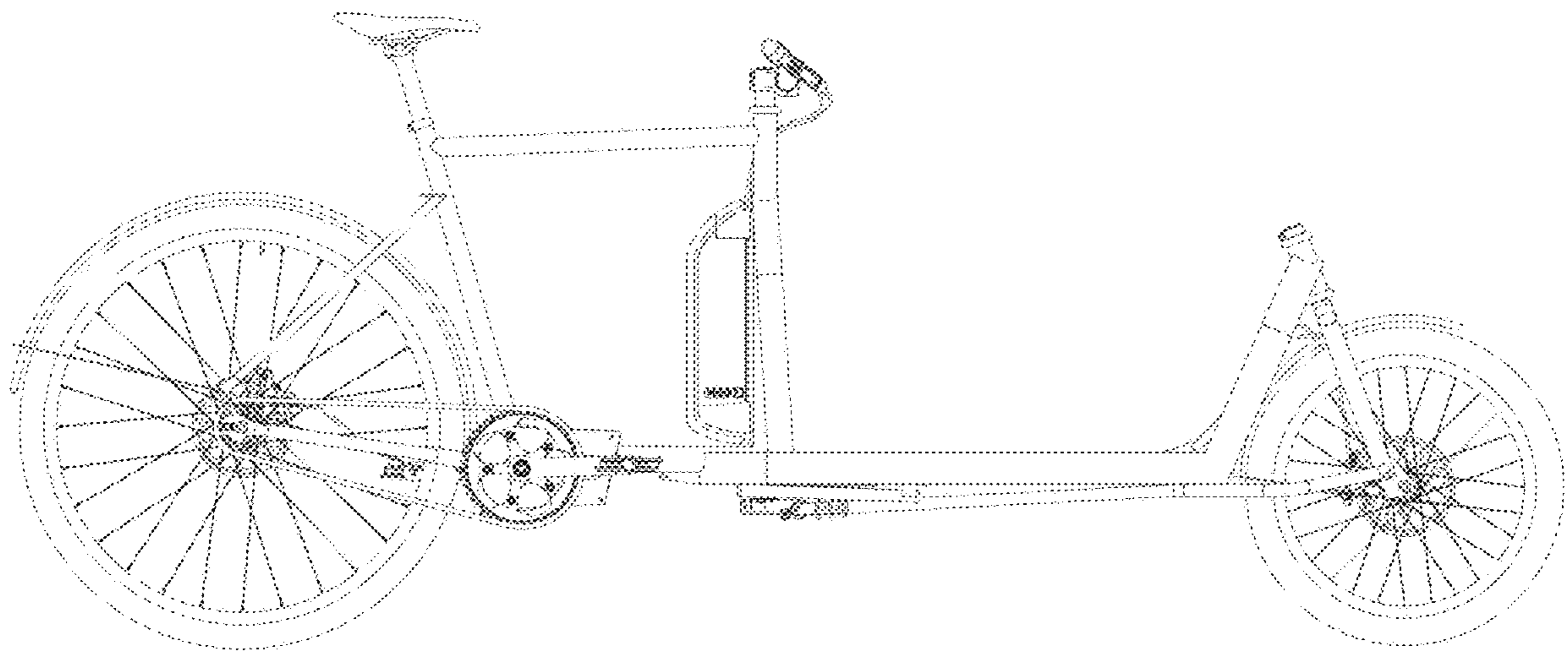
1.2



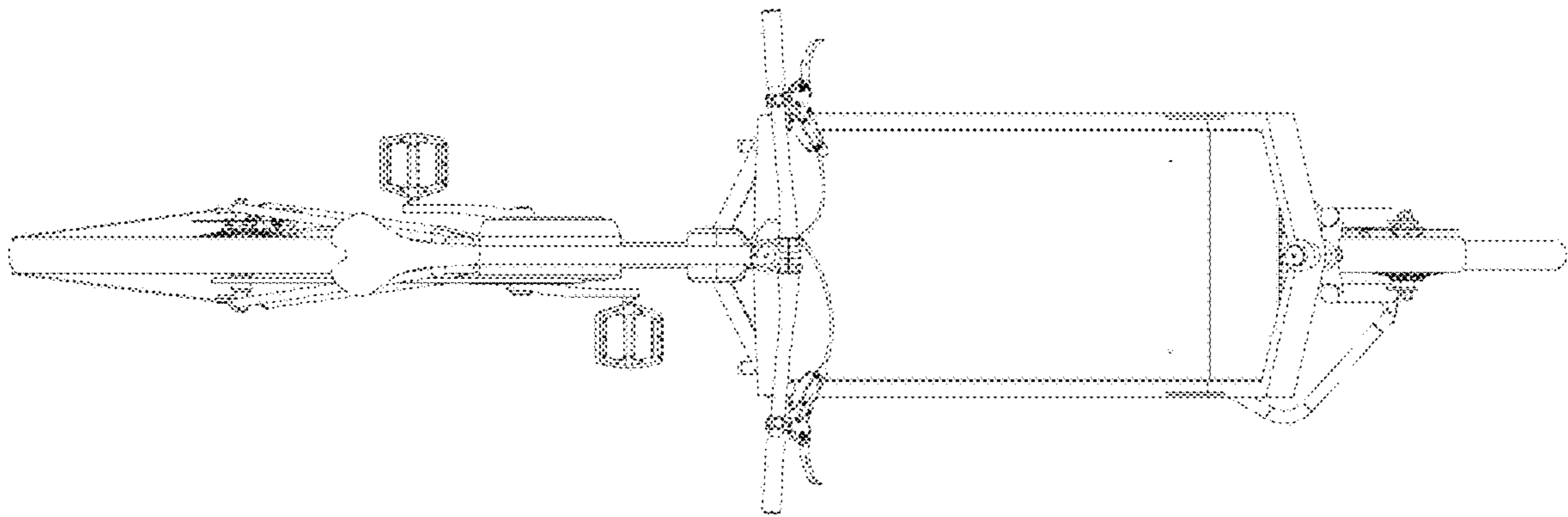
1.3



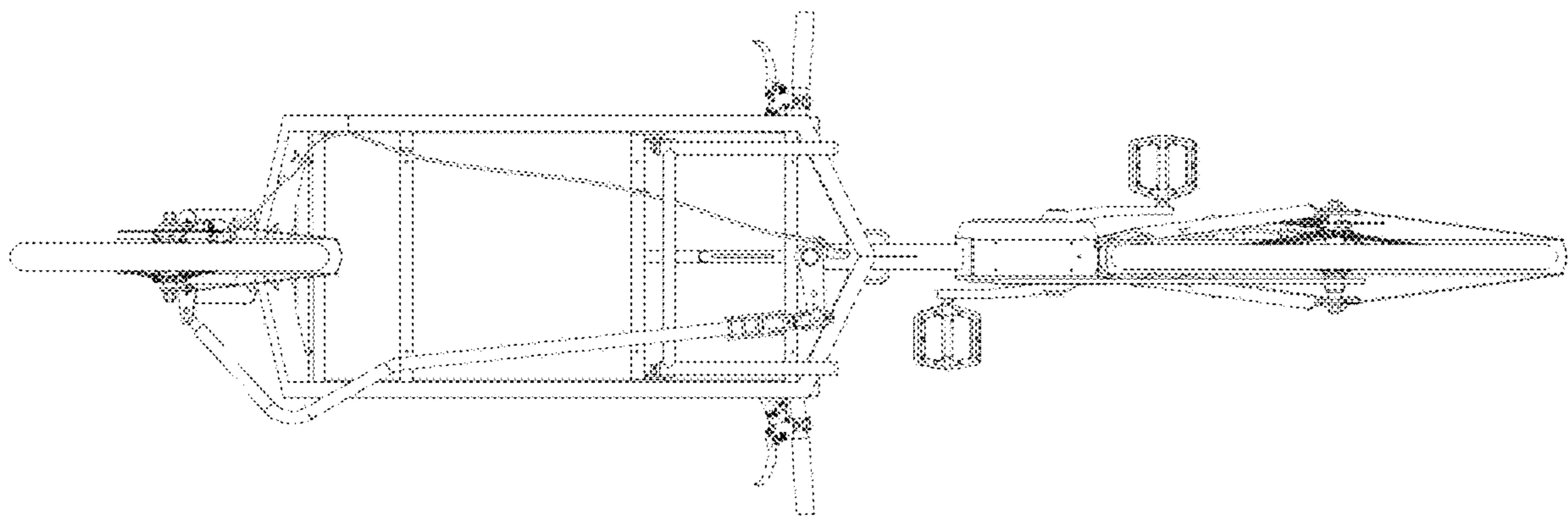
1.4



1.5



1.6



1.7

