



US00D966946S

(12) **United States Design Patent**
Dabadie

(10) **Patent No.:** **US D966,946 S**

(45) **Date of Patent:** **** Oct. 18, 2022**

(54) **MOTORCYCLE**

(71) Applicant: **DAB MOTORS**, Bayonne (FR)

(72) Inventor: **Simon Dabadie**, Bayonne (FR)

(**) Term: **15 Years**

(21) Appl. No.: **35/512,164**

(22) Filed: **Jun. 28, 2021**

(80) **Hague Agreement Data**

Int. Filing Date: **Jun. 28, 2021**

Int. Reg. No.: **DM/215100**

Int. Reg. Date: **Jun. 28, 2021**

Int. Reg. Pub. Date: **Jul. 16, 2021**

(51) **LOC (13) Cl.** **12-11**

(52) **U.S. Cl.**
USPC **D12/110**

(58) **Field of Classification Search**
USPC D12/107, 109-113
CPC B62D 61/00; B62D 61/02; B62K 11/00;
B62K 11/10

See application file for complete search history.

(56) **References Cited**

U.S. PATENT DOCUMENTS

D698,702 S *	2/2014	KubaneK	D12/110
D810,629 S *	2/2018	Ytterborn	D12/110
D817,818 S *	5/2018	Iimura	D12/110
D854,456 S *	7/2019	Li	D12/110
D885,983 S *	6/2020	Ytterborn	D12/110
D904,233 S *	12/2020	Konkel	D12/110

* cited by examiner

Primary Examiner — Joseph Kukella

(57) **CLAIM**

The ornamental design for a motorcycle, as shown and described.

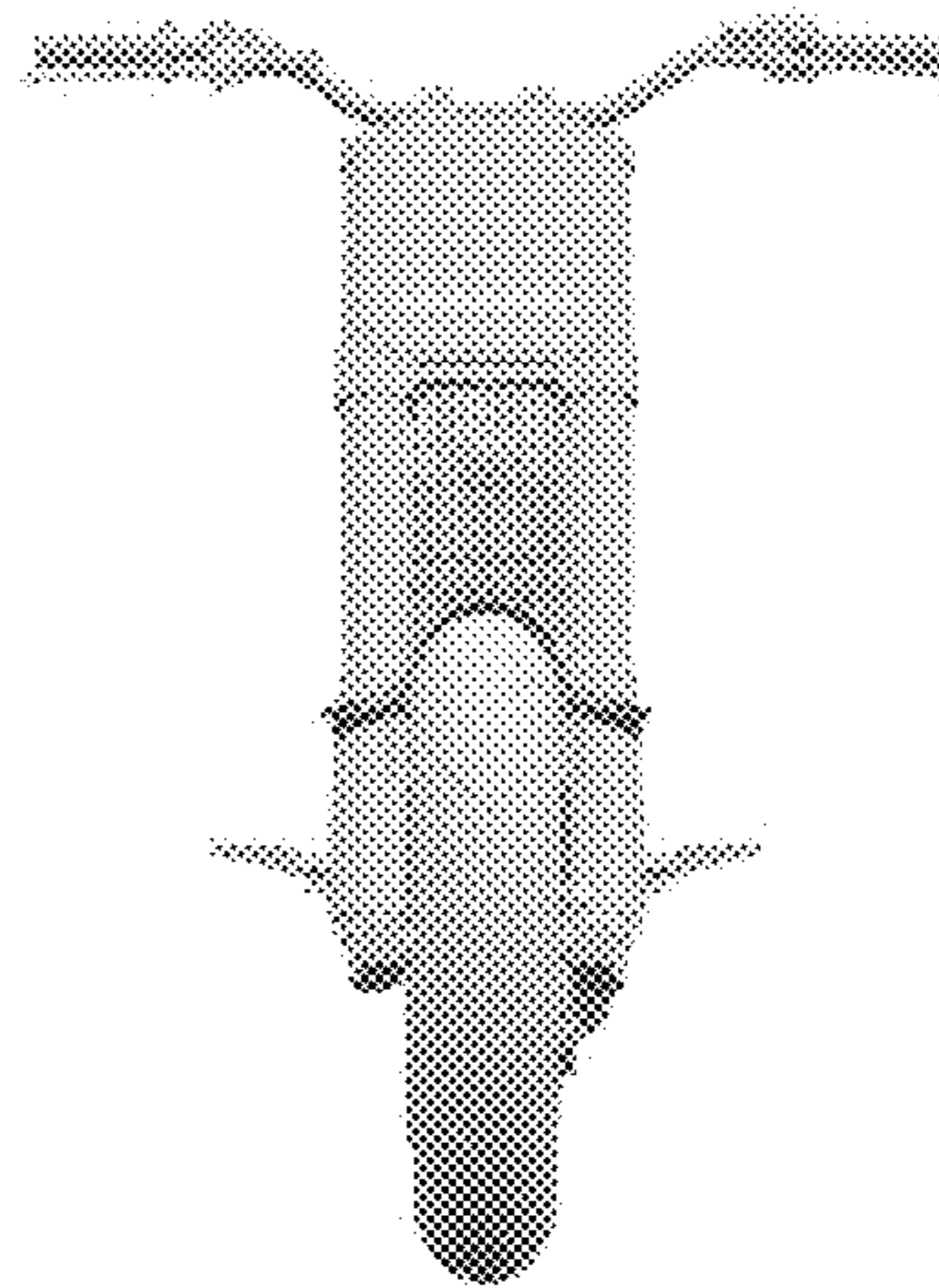
DESCRIPTION

- 1. Motorcycle
- 1.1 : Front
- 1.2 : Perspective
- 1.3 : Rear
- 1.4 : Side
- 1.5 : Top
- 1.6 : Perspective
- 1.7 : Perspective

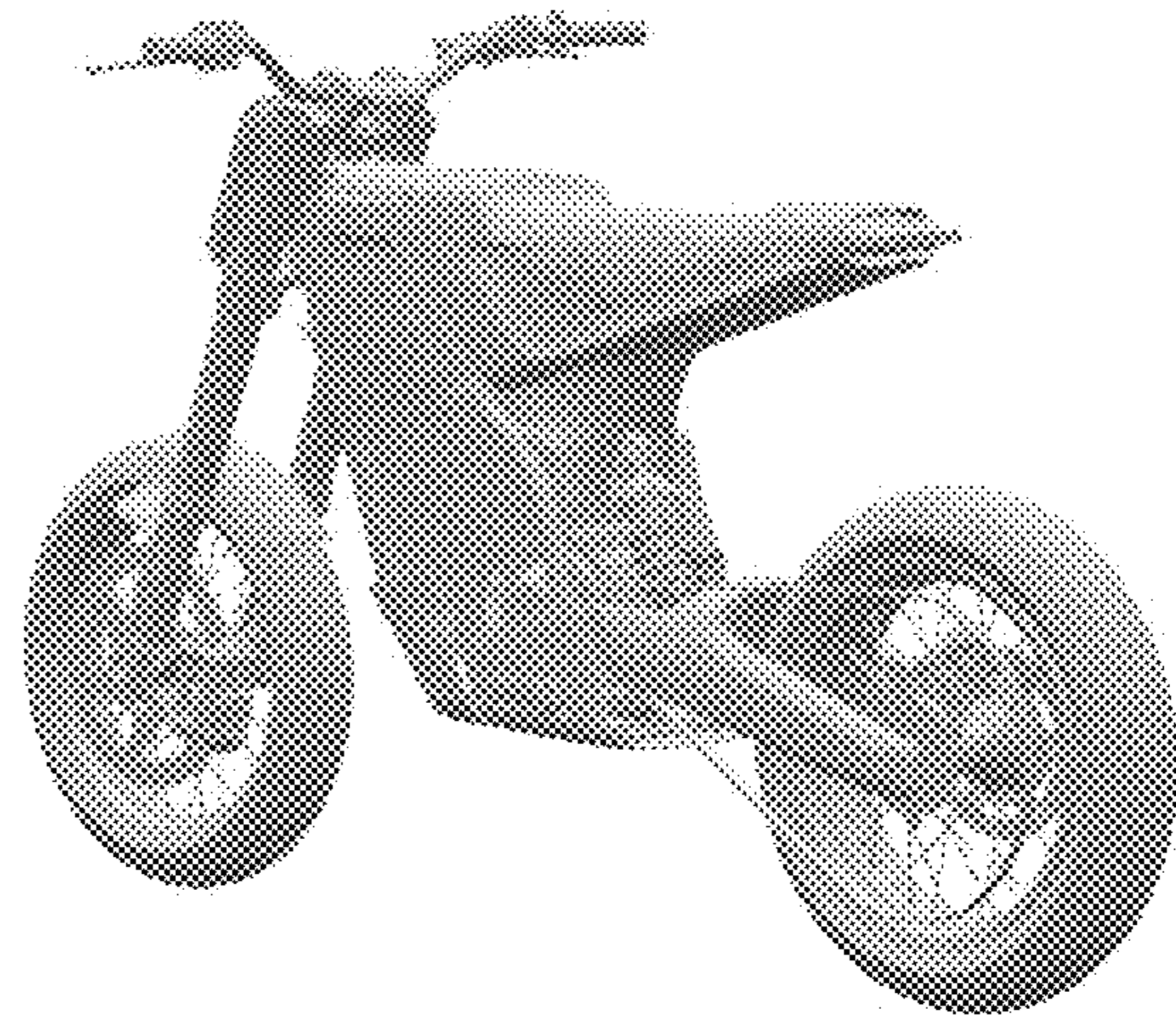
1 Claim, 7 Drawing Sheets



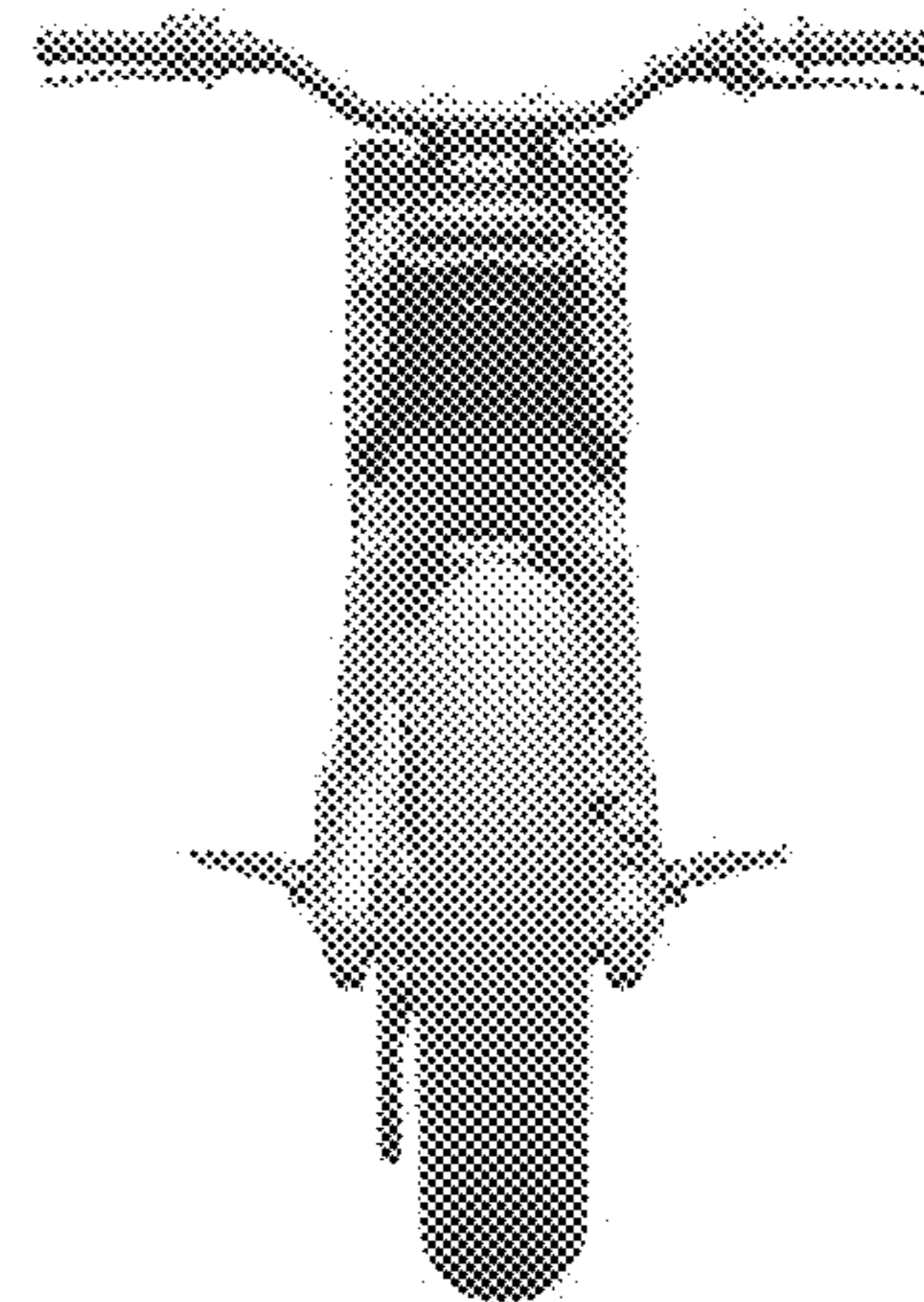
1.1



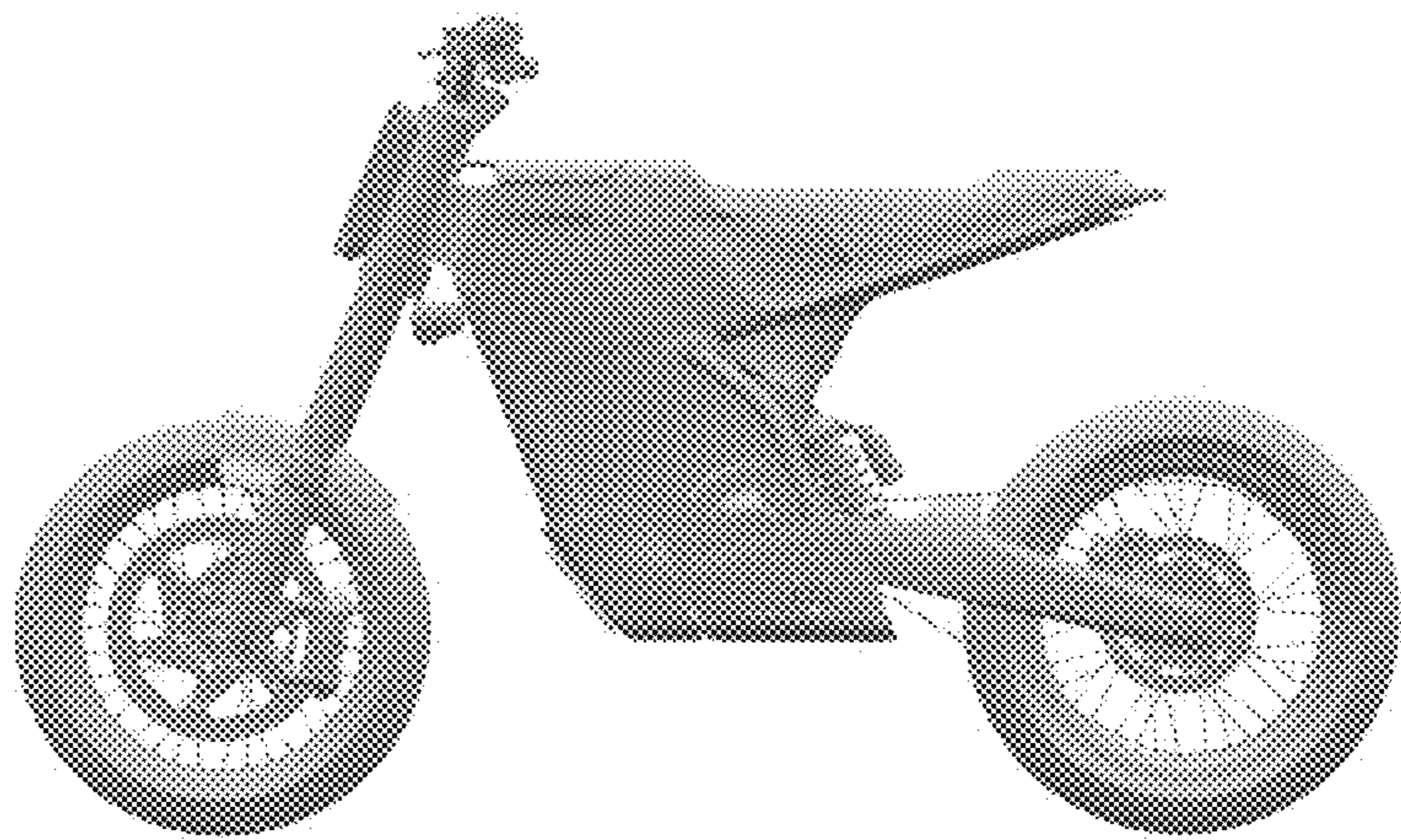
1.2



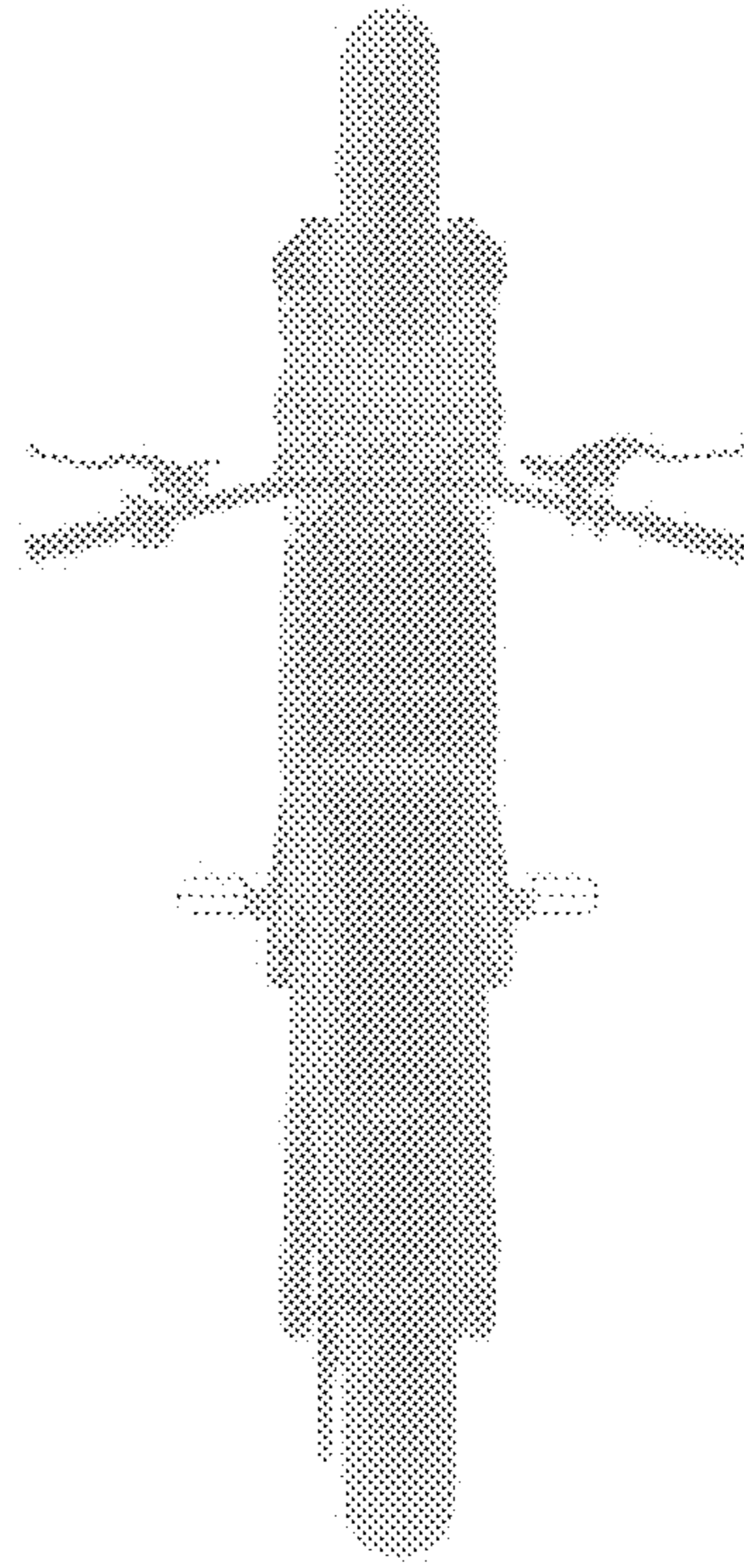
1.3



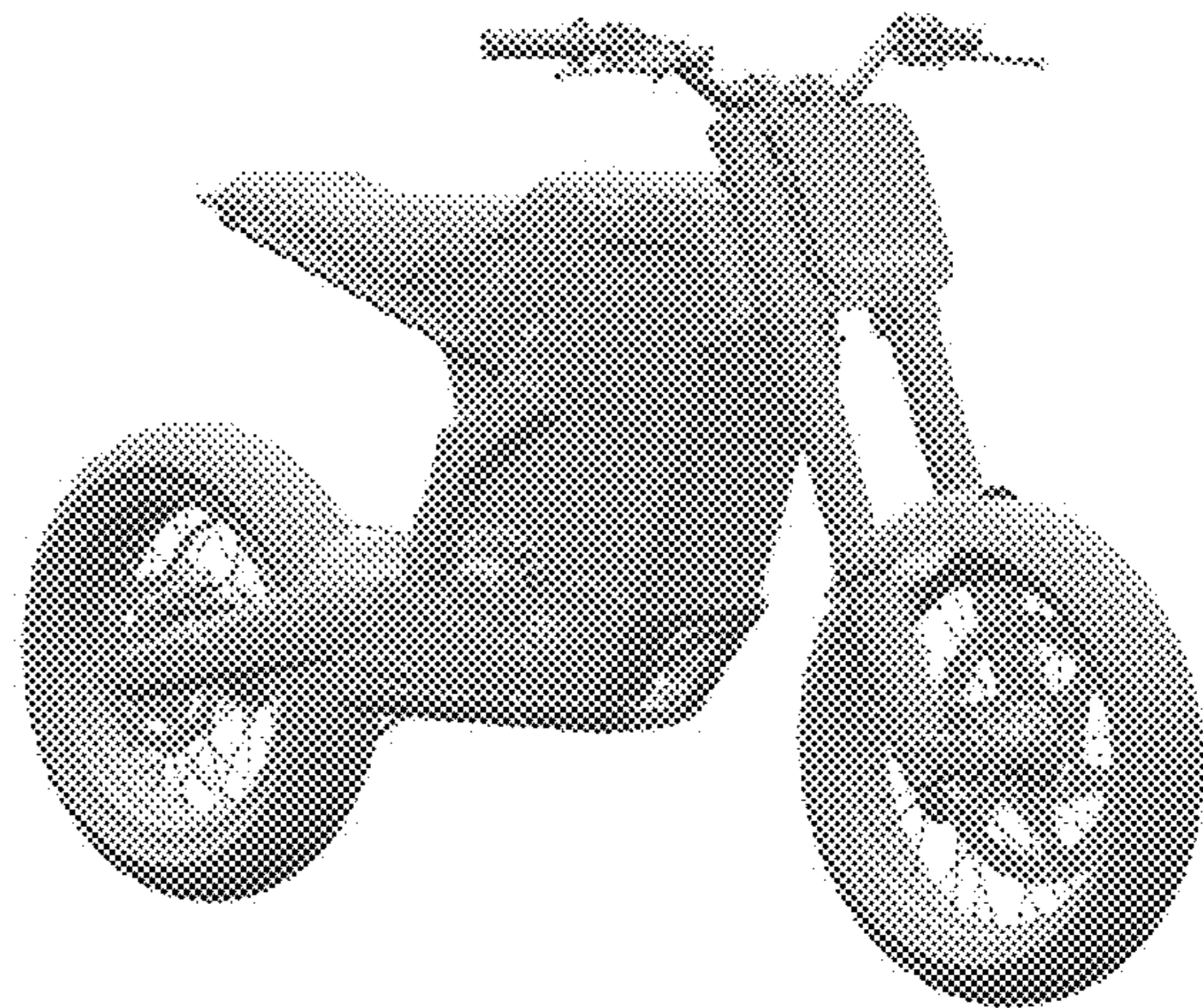
1.4



1.5



1.6



1.7

