

US00D966945S

(12) **United States Design Patent**  
**Kaoud et al.**

(10) **Patent No.:** **US D966,945 S**  
(45) **Date of Patent:** **\*\* Oct. 18, 2022**

(54) **MOTOR VEHICLE, TOY REPLICA, AND/OR OTHER REPLICA**

(71) Applicant: **Ford Global Technologies, LLC**,  
Dearborn, MI (US)

(72) Inventors: **Ehab Kaoud**, Livonia, MI (US);  
**William K. Moore**, West Bloomfield,  
MI (US); **Richard L. Howard**,  
Brighton, MI (US); **Joshua P. Henry**,  
Detroit, MI (US); **Elvir Mesalic**,  
Plymouth, MI (US); **Samuel R. Haire**,  
Dearborn Heights, MI (US); **Jiacheng  
Liu**, Dearborn, MI (US)

(73) Assignee: **Ford Global Technologies, LLC**,  
Dearborn, MI (US)

(\*\*) Term: **15 Years**

(21) Appl. No.: **29/782,376**

(22) Filed: **May 6, 2021**

(51) **LOC (13) Cl.** ..... **12-08**

(52) **U.S. Cl.**  
USPC ..... **D12/98**

(58) **Field of Classification Search**  
USPC ..... D12/86, 90-92, 164, 98; D21/424, 433,  
D21/434, 533; 296/181.1, 181.5, 181.3,  
296/183.1, 37.6  
CPC ..... B60R 9/06; B62D 35/00  
See application file for complete search history.

(56) **References Cited**

**U.S. PATENT DOCUMENTS**

D500,968 S 1/2005 Metros  
D515,462 S 2/2006 Metros  
D703,586 S 4/2014 Platto  
D718,193 S 11/2014 Platto

D763,738 S \* 8/2016 Dewitt ..... D12/98  
D764,980 S 8/2016 Platto  
D764,982 S 8/2016 Platto  
D764,983 S 8/2016 Platto  
D775,551 S \* 1/2017 Platto ..... D12/98  
D809,428 S \* 2/2018 Platto ..... D12/98  
D809,429 S \* 2/2018 Platto ..... D12/98  
D811,274 S \* 2/2018 Platto ..... D12/98  
D828,227 S \* 9/2018 Ninov ..... D12/98  
D869,991 S \* 12/2019 Dewitt ..... D12/98  
D869,992 S \* 12/2019 Dewitt ..... D12/98  
D896,129 S \* 9/2020 Platto ..... D12/98  
D899,313 S \* 10/2020 Dewitt ..... D12/98  
D899,314 S \* 10/2020 Dewitt ..... D12/98  
D899,315 S \* 10/2020 Dewitt ..... D12/98  
D899,316 S \* 10/2020 Dewitt ..... D12/98  
D899,317 S \* 10/2020 Dewitt ..... D12/98  
D899,318 S \* 10/2020 Dewitt ..... D12/98  
D899,319 S \* 10/2020 Dewitt ..... D12/98

(Continued)

*Primary Examiner* — Melody N Brown

(74) *Attorney, Agent, or Firm* — Michael Spenner

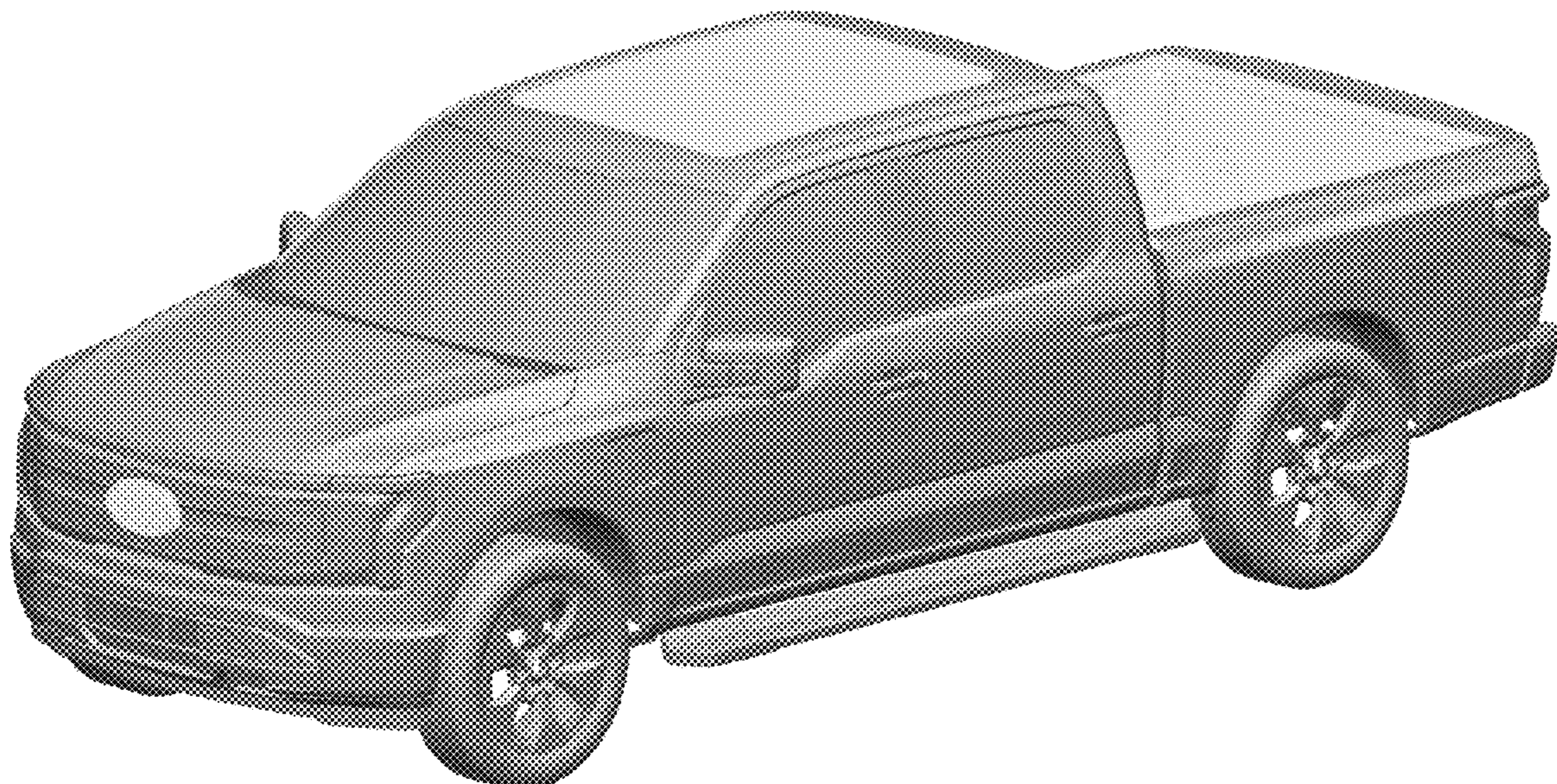
(57) **CLAIM**

The ornamental design for a motor vehicle, toy replica, and/or other replica, as shown and described.

**DESCRIPTION**

FIG. 1 is a front elevational view of a motor vehicle, toy replica, and/or other replica showing our new design;  
FIG. 2 is a rear elevational view thereof;  
FIG. 3 is a left side elevational view thereof;  
FIG. 4 is a right side elevational view thereof;  
FIG. 5 is a top plan view thereof.  
FIG. 6 is a top, front, and left side perspective view thereof;  
and,  
FIG. 7 is a top, rear, and left side perspective view thereof.  
The claimed design is indicated by the relatively dark portions in the figures. The de-emphasized and relatively light portions form no part of the claimed design.

**1 Claim, 7 Drawing Sheets**



(56)

**References Cited**

U.S. PATENT DOCUMENTS

|          |   |   |         |        |       |        |
|----------|---|---|---------|--------|-------|--------|
| D899,973 | S | * | 10/2020 | Dewitt | ..... | D12/98 |
| D907,533 | S | * | 1/2021  | Dewitt | ..... | D12/98 |
| D908,539 | S | * | 1/2021  | Dewitt | ..... | D12/98 |
| D912,580 | S | * | 3/2021  | Dewitt | ..... | D12/98 |
| D913,163 | S | * | 3/2021  | Kaoud  | ..... | D12/98 |
| D929,261 | S | * | 8/2021  | Kaoud  | ..... | D12/98 |
| D929,262 | S | * | 8/2021  | Kaoud  | ..... | D12/98 |
| D929,263 | S | * | 8/2021  | Kaoud  | ..... | D12/98 |

\* cited by examiner

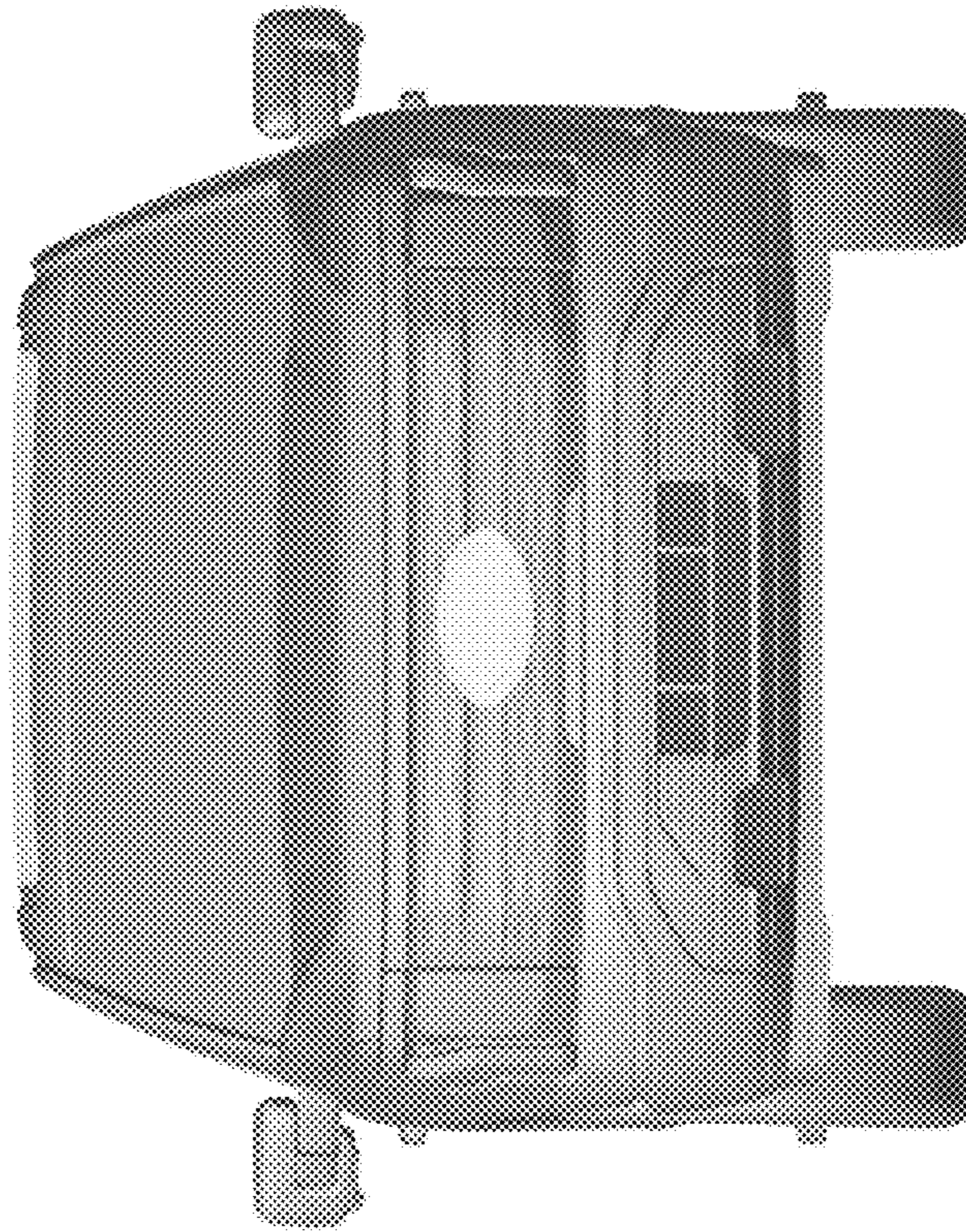


Fig. 1

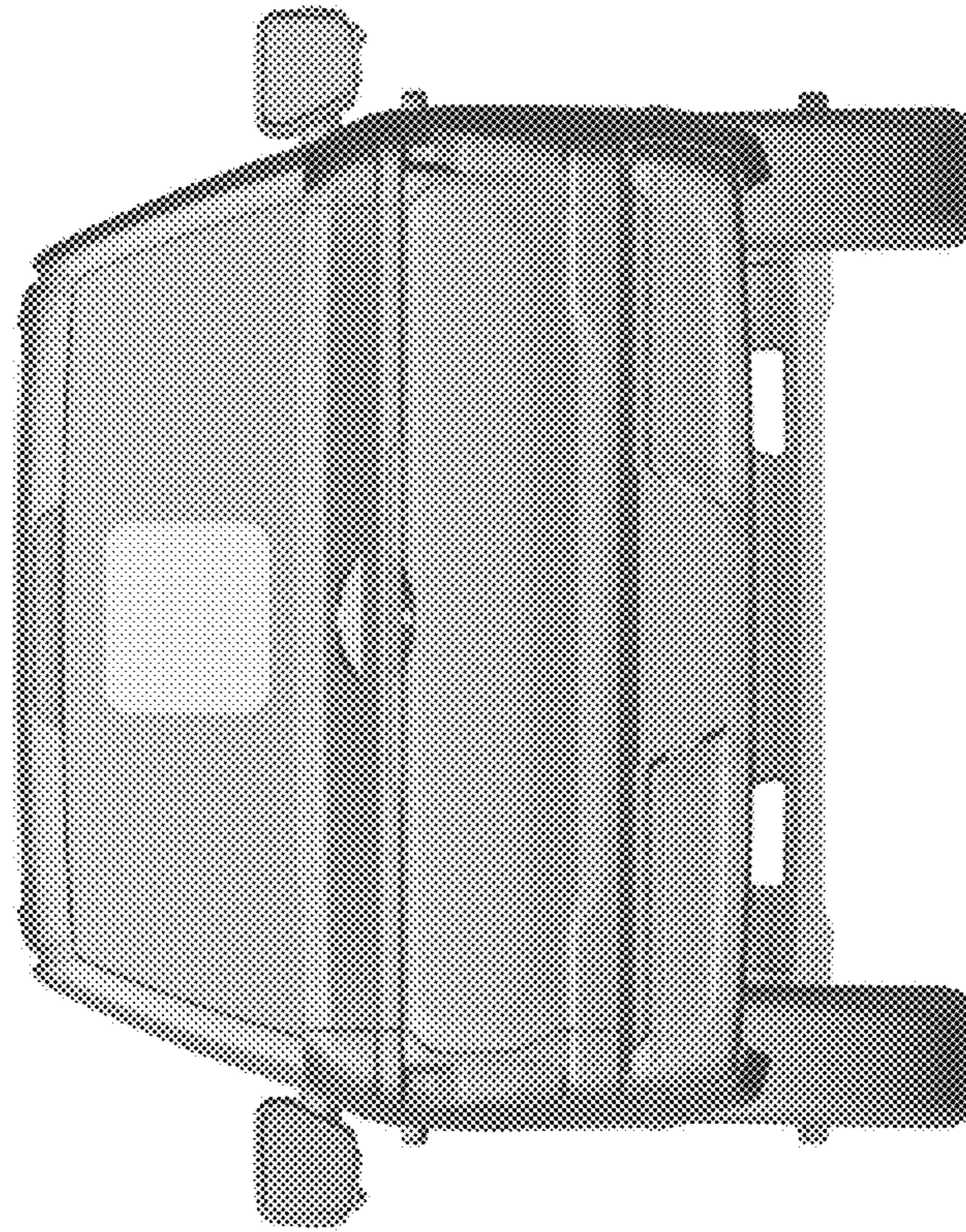


Fig. 2



Fig. 3



Fig.4



Fig. 5

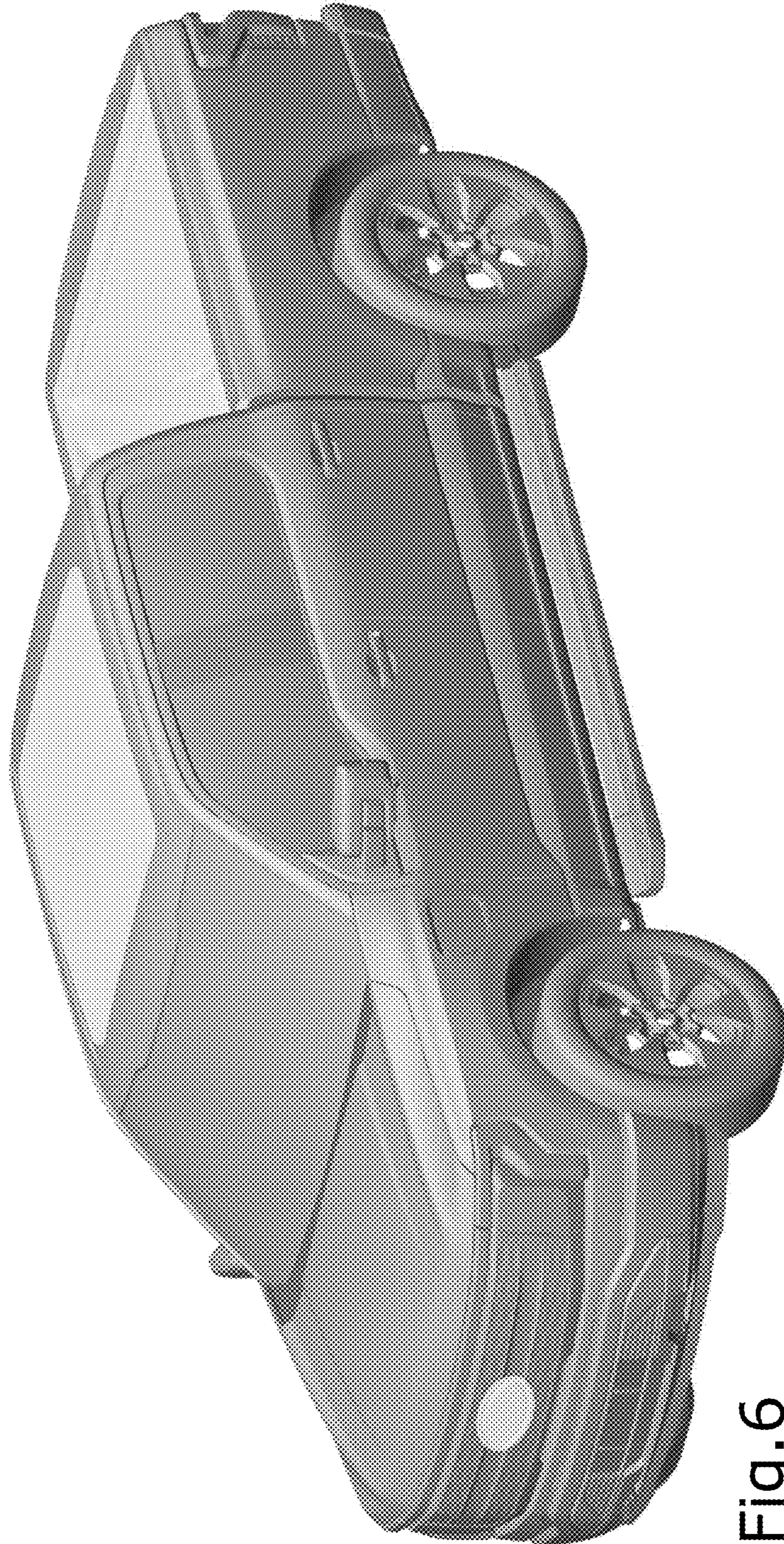


Fig. 6





Fig. 7