



US00D966942S

(12) **United States Design Patent**
Kim et al.

(10) **Patent No.:** **US D966,942 S**

(45) **Date of Patent:** **** Oct. 18, 2022**

(54) **MOTOR VEHICLE, TOY REPLICA, AND/OR OTHER REPLICA**

(71) Applicant: **Ford Global Technologies, LLC**,
Dearborn, MI (US)

(72) Inventors: **Sooyoung Kim**, Northville, MI (US);
Damon G. Depeyster, Northville, MI (US);
Paul Wraith, West Bloomfield, MI (US);
Albert Kim, Northville, MI (US);
Heath W. Hilliard, Detroit, MI (US)

(73) Assignee: **Ford Global Technologies, LLC**,
Dearborn, MI (US)

(**) Term: **15 Years**

(21) Appl. No.: **29/770,473**

(22) Filed: **Feb. 12, 2021**

(51) **LOC (13) Cl.** **12-08**

(52) **U.S. Cl.**
USPC **D12/98**

(58) **Field of Classification Search**
USPC D12/86, 90-92, 164, 98; D21/424, 433,
D21/434, 533; 296/181.1, 181.5, 181.3,
296/183.1, 37.6
CPC B60R 9/06; B62D 35/00
See application file for complete search history.

(56) **References Cited**

U.S. PATENT DOCUMENTS

D763,738 S *	8/2016	Dewitt	D12/98
D775,551 S *	1/2017	Platto	D12/98
D809,428 S *	2/2018	Platto	D12/98
D809,429 S *	2/2018	Platto	D12/98
D811,274 S *	2/2018	Platto	D12/98
D828,227 S *	9/2018	Ninov	D12/98
D869,991 S *	12/2019	Dewitt	D12/98
D869,992 S *	12/2019	Dewitt	D12/98

D896,129 S *	9/2020	Platto	D12/98
D899,313 S *	10/2020	Dewitt	D12/98
D899,314 S *	10/2020	Dewitt	D12/98
D899,315 S *	10/2020	Dewitt	D12/98
D899,316 S *	10/2020	Dewitt	D12/98
D899,317 S *	10/2020	Dewitt	D12/98
D899,318 S *	10/2020	Dewitt	D12/98
D899,319 S *	10/2020	Dewitt	D12/98
D899,973 S *	10/2020	Dewitt	D12/98

(Continued)

OTHER PUBLICATIONS

Andre Smirnov, Leaked: 2022 Ford Maverick Truck? Could This Be The Next Ford Ranger or Bronco-Based Pickup?, <https://tfttruck.com/2020/04/leaked-2022-ford-maverick-truck-could-this-be-the-next-ford-ranger-or-bronco-based-pickup/> Apr. 30, 2020.

(Continued)

Primary Examiner — Melody N Brown

(74) *Attorney, Agent, or Firm* — Michael Spenner

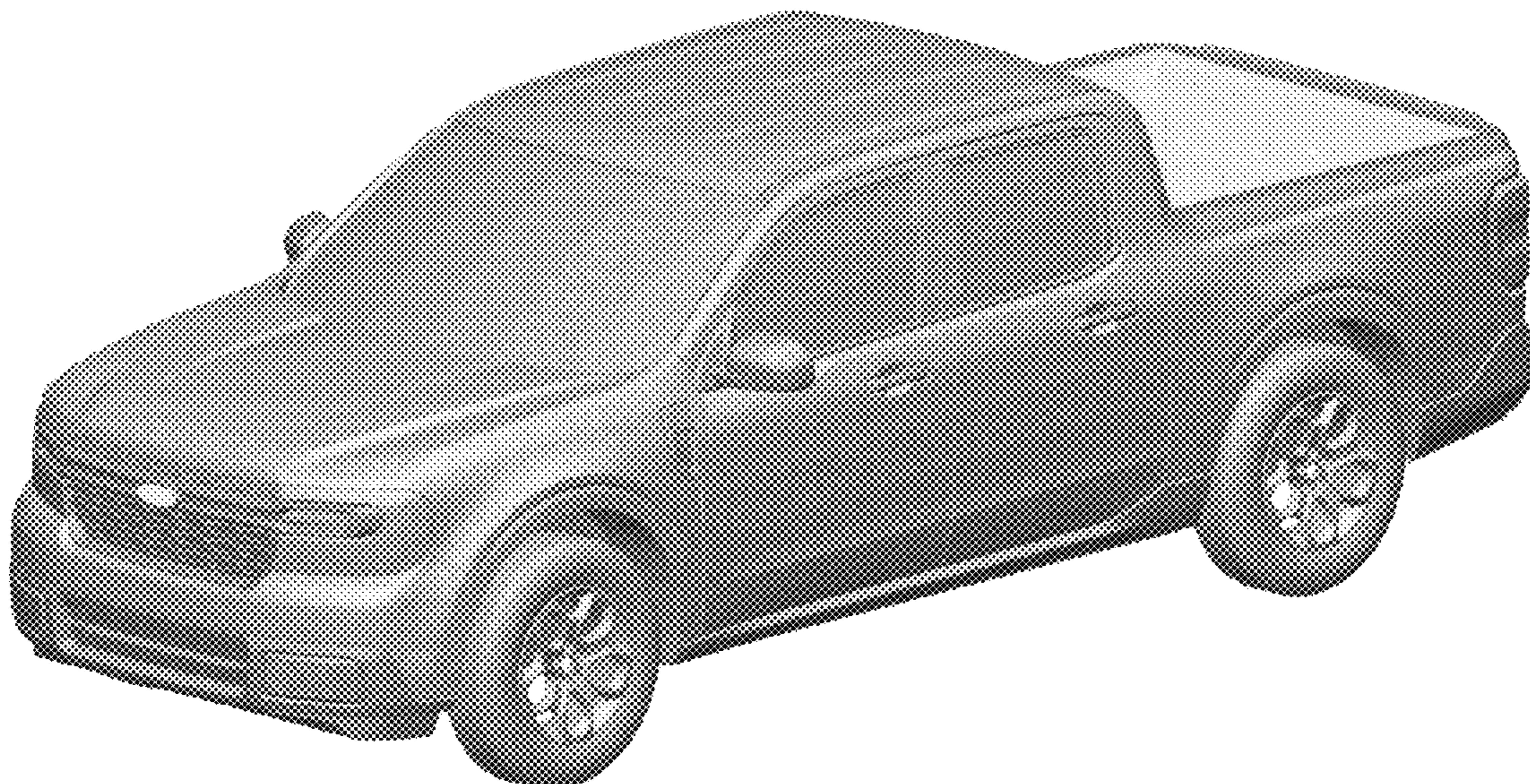
(57) **CLAIM**

The ornamental design for a motor vehicle, toy replica, and/or other replica, as shown and described.

DESCRIPTION

FIG. 1 is a front elevational view of a motor vehicle, toy replica, and/or other replica showing our new design; FIG. 2 is a rear elevational view thereof; FIG. 3 is a left side elevational view thereof; FIG. 4 is a right side elevational view thereof; FIG. 5 is a top plan view thereof. FIG. 6 is a top, front, and left side perspective view thereof; and, FIG. 7 is a top, rear, and left side perspective view thereof. The claimed design is indicated by the relatively dark portions in the figures. The de-emphasized and relatively light portions form no part of the claimed design.

1 Claim, 7 Drawing Sheets



(56)

References Cited

U.S. PATENT DOCUMENTS

D907,533 S *	1/2021	Dewitt	D12/98
D908,539 S *	1/2021	Dewitt	D12/98
D912,580 S *	3/2021	Dewitt	D12/98
D913,163 S *	3/2021	Kaoud	D12/98
D929,261 S *	8/2021	Kaoud	D12/98
D929,262 S *	8/2021	Kaoud	D12/98
D929,263 S *	8/2021	Kaoud	D12/98

OTHER PUBLICATIONS

Viknesh Vijayenthiran, 2022 Ford Maverick Spy Shots: Compact Pickup on the way, https://www.motorauthority.com/news/1129703_2022-ford-maverick-spy-shots Sep. 23, 2020.

Brett Foote, Ford Maverick Pickup Will Only Be Available In Four-Door Configuration, <https://fordauthority.com/2020/12/ford-maverick-pickup-will-only-be-available-in-four-door-configuration/> Dec. 7, 2020.

Chris Bruce, 2022 Ford Maverick Caught In Bare Metal, Revealing its Design, <https://www.motor1.com/news/458839/2022-ford-maverick-bare-metal/> Dec. 7, 2020.

Mr Robot, Ford Maverick Unibody Fully Revealed!, <https://www.mavericktruckclub.com/forum/threads/ford-maverick-unibody-fully-revealed.13/> Dec. 7, 2020.

Chris Bruce, 2022 Ford Maverick May Only Be Available In Four-Door Super Crew Body, <https://www.motor1.com/news/459229/2022-ford-maverick-super-crew/> Dec. 9, 2020.

Paul A. Eisenstein, Return Of The Ford Maverick—But This Time It’s Going To Be A Compact Pickup, <https://www.thedetroitbureau.com/2020/12/return-of-the-ford-maverick-but-this-time-its-going-to-be-a-compact-pickup/> Dec. 9, 2020.

Allison Barfield, The 2022 Ford Maverick Looks Bigger Than Expected, <https://www.motorbiscuit.com/the-2022-ford-maverick-looks-bigger-than-expected/> Dec. 12, 2020.

Alexander Stoklosa, 2022 Ford Maverick: Here It Is, Looking Compact and Surprisingly Trucky, <https://www.motortrend.com/news/2022-ford-maverick-spy-photo-factory-details/> Jan. 8, 2021.

Josh Byrnes, 2022 Ford Maverick: Everything We Know About The Blue Oval’s Baby Truck, <https://www.carscoops.com/2021/01/2022-ford-maverick-everything-we-know-about-the-blue-ovals-baby-truck/> Jan. 30, 2021.

* cited by examiner

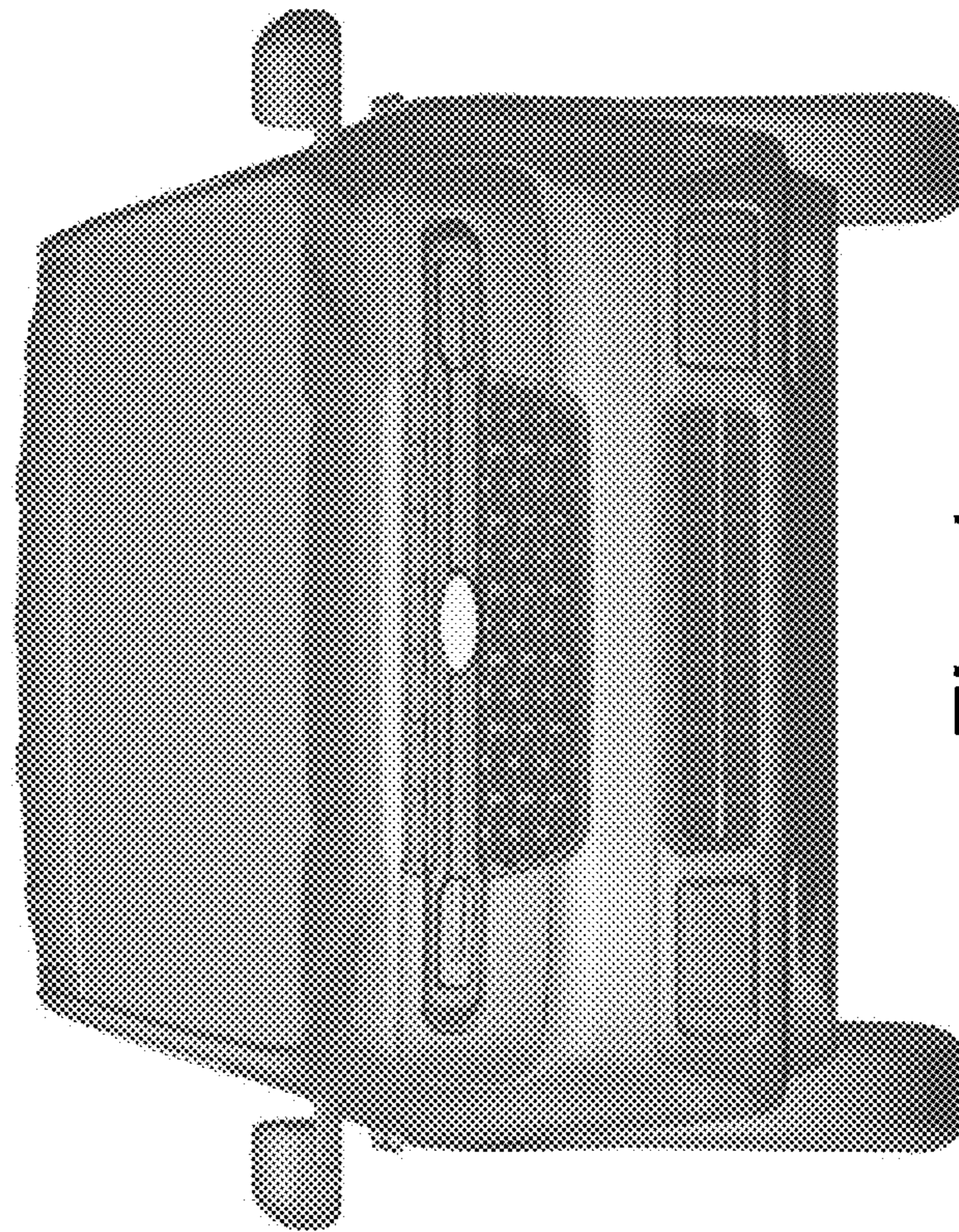


Fig. 1

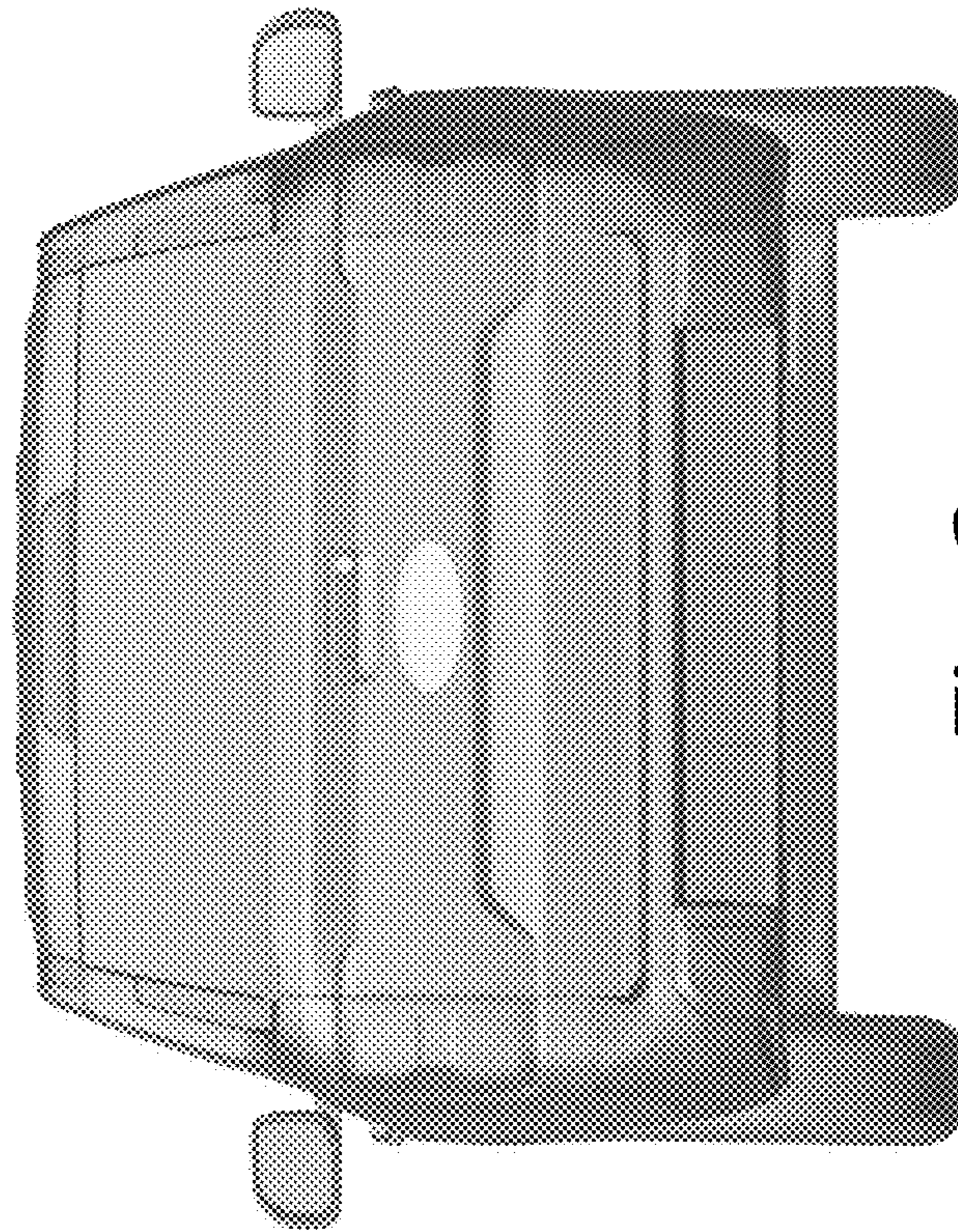


Fig. 2



Fig. 3



Fig. 4

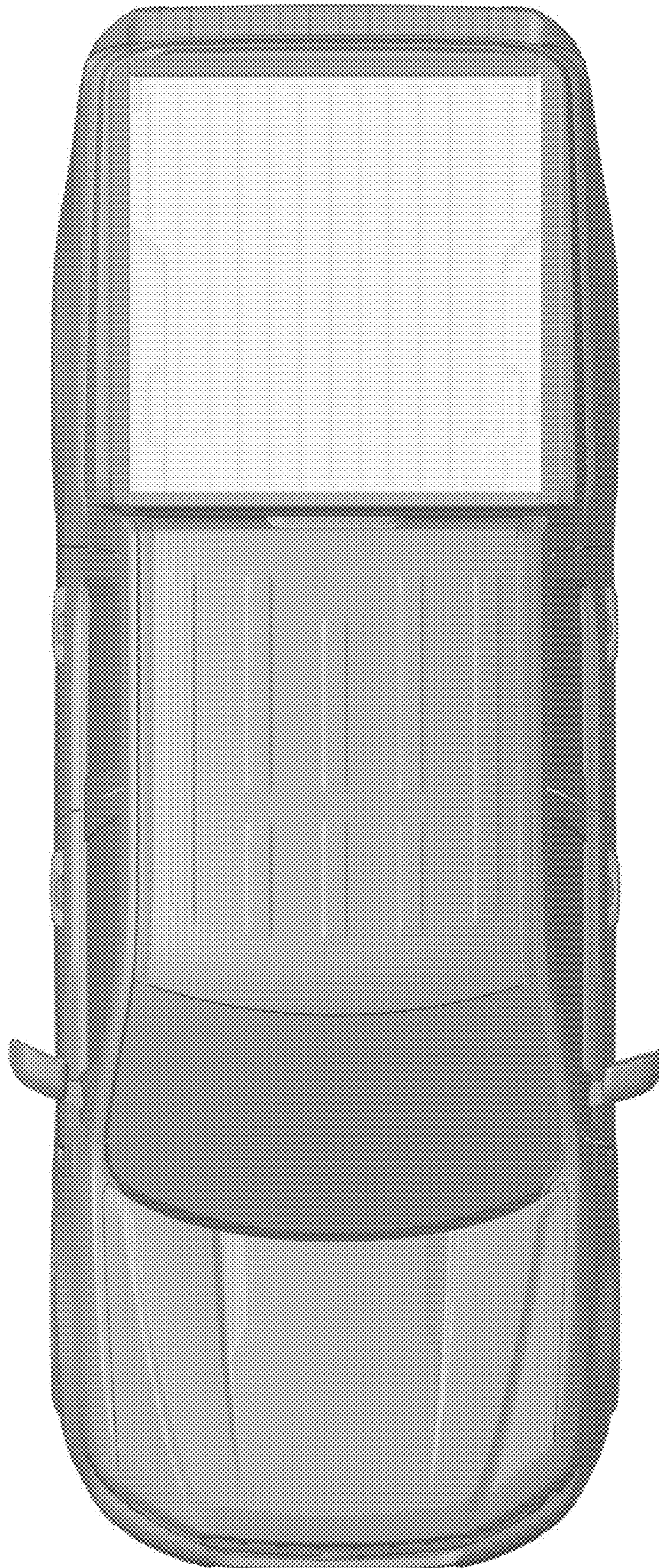


Fig. 5



Fig. 6



Fig. 7