

US00D966941S

(12) **United States Design Patent** (10) **Patent No.:** **US D966,941 S**
Kaoud et al. (45) **Date of Patent:** **** Oct. 18, 2022**

(54) **MOTOR VEHICLE, TOY REPLICA, AND/OR OTHER REPLICAS**

(71) Applicant: **Ford Global Technologies, LLC**, Dearborn, MI (US)

(72) Inventors: **Ehab N. Kaoud**, Livonia, MI (US); **Sean W. Tant**, Livonia, MI (US); **Jiacheng Liu**, Dearborn, MI (US)

(73) Assignee: **Ford Global Technologies, LLC**, Dearborn, MI (US)

(**) Term: **15 Years**

(21) Appl. No.: **29/762,564**

(22) Filed: **Dec. 17, 2020**

(51) **LOC (13) Cl.** **12-08**

(52) **U.S. Cl.**
USPC **D12/98**

(58) **Field of Classification Search**
USPC D12/86, 90-92, 164, 98; D21/424, 433, D21/434, 533; 296/181.1, 181.5, 181.3, 296/183.1, 37.6
CPC B60R 9/06; B62D 35/00
See application file for complete search history.

(56) **References Cited**

U.S. PATENT DOCUMENTS

D763,738 S *	8/2016	Dewitt	D12/98
D764,980 S	8/2016	Platto et al.		
D764,982 S	8/2016	Platto et al.		
D764,983 S	8/2016	Platto et al.		
D775,551 S *	1/2017	Platto	D12/98
D809,428 S *	2/2018	Platto	D12/98
D809,429 S *	2/2018	Platto	D12/98
D811,274 S *	2/2018	Platto	D12/98
D828,227 S *	9/2018	Ninov	D12/98
D869,991 S *	12/2019	Dewitt	D12/98

D869,992 S *	12/2019	Dewitt	D12/98
D896,129 S *	9/2020	Platto	D12/98
D899,313 S *	10/2020	Dewitt	D12/98
D899,314 S *	10/2020	Dewitt	D12/98
D899,315 S *	10/2020	Dewitt	D12/98
D899,316 S *	10/2020	Dewitt	D12/98
D899,317 S *	10/2020	Dewitt	D12/98
D899,318 S *	10/2020	Dewitt	D12/98
D899,319 S *	10/2020	Dewitt	D12/98
D899,973 S *	10/2020	Dewitt	D12/98
D907,533 S *	1/2021	Dewitt	D12/98
D908,539 S *	1/2021	Dewitt	D12/98
D912,580 S *	3/2021	Dewitt	D12/98
D913,163 S *	3/2021	Kaoud	D12/98
D929,261 S *	8/2021	Kaoud	D12/98
D929,262 S *	8/2021	Kaoud	D12/98
D929,263 S *	8/2021	Kaoud	D12/98

* cited by examiner

Primary Examiner — Melody N Brown

(74) *Attorney, Agent, or Firm* — Michael Spenner

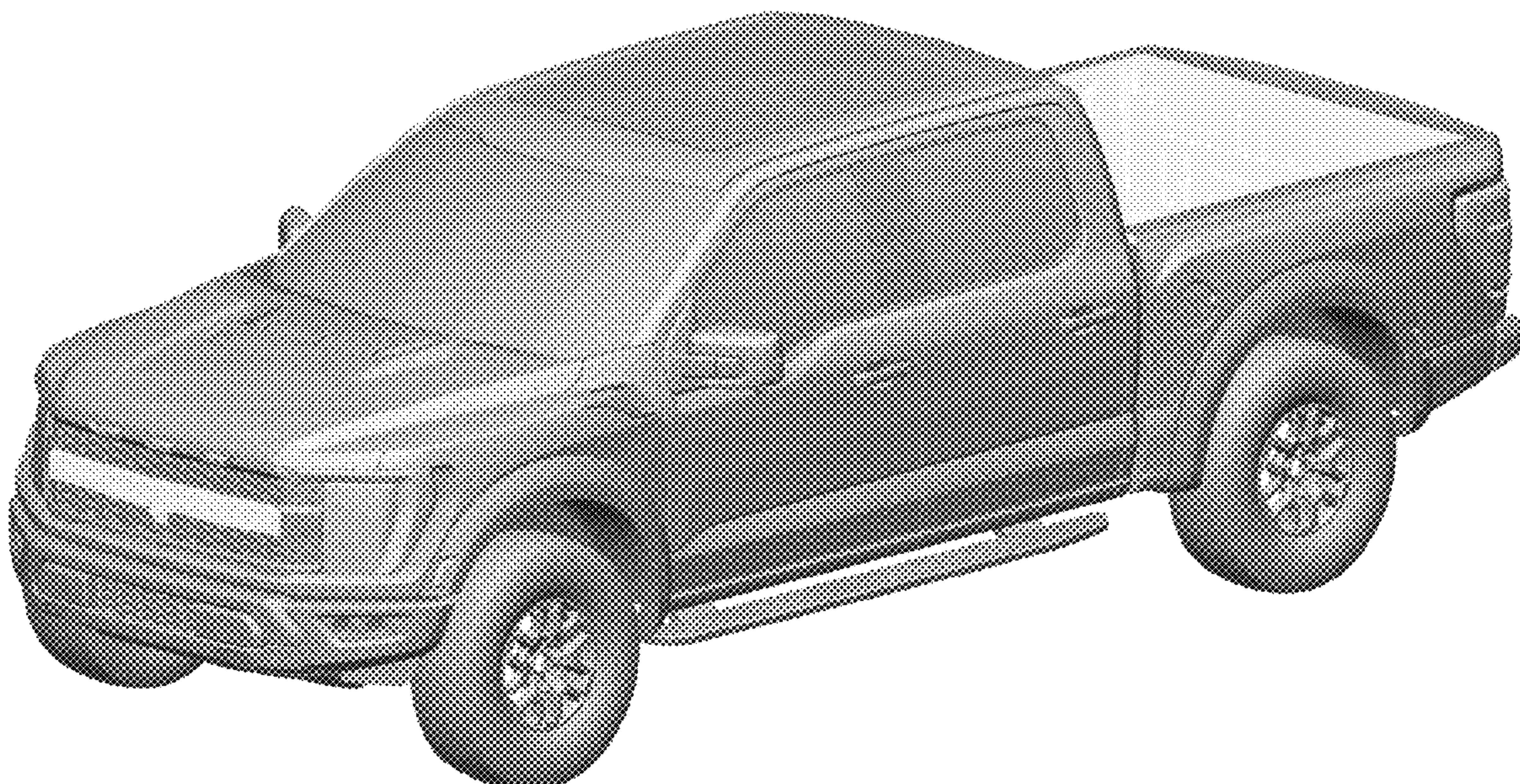
(57) **CLAIM**

The ornamental design for a motor vehicle, toy replica, and/or other replicas, as shown and described.

DESCRIPTION

FIG. 1 is a front elevational view of a motor vehicle, toy replica, and/or other replicas showing our new design; FIG. 2 is a rear elevational view thereof; FIG. 3 is a left side elevational view thereof; FIG. 4 is a right side elevational view thereof; FIG. 5 is a top plan view thereof. FIG. 6 is a top, front, and left side perspective view thereof; and, FIG. 7 is a top, rear, and left side perspective view thereof. The claimed design is indicated by the relatively dark portions in the figures. The de-emphasized and relatively light portions form no part of the claimed design.

1 Claim, 7 Drawing Sheets



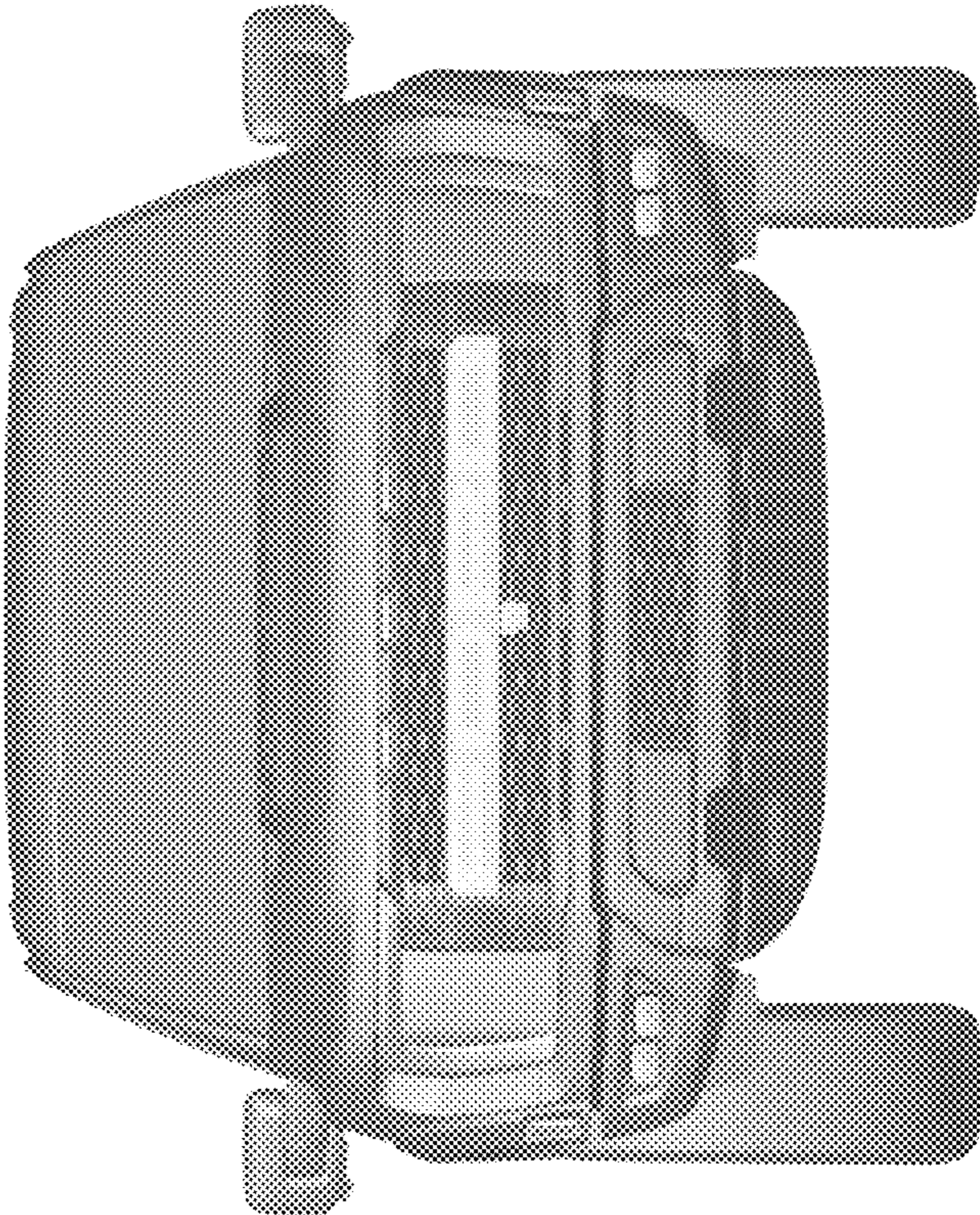


Fig. 1

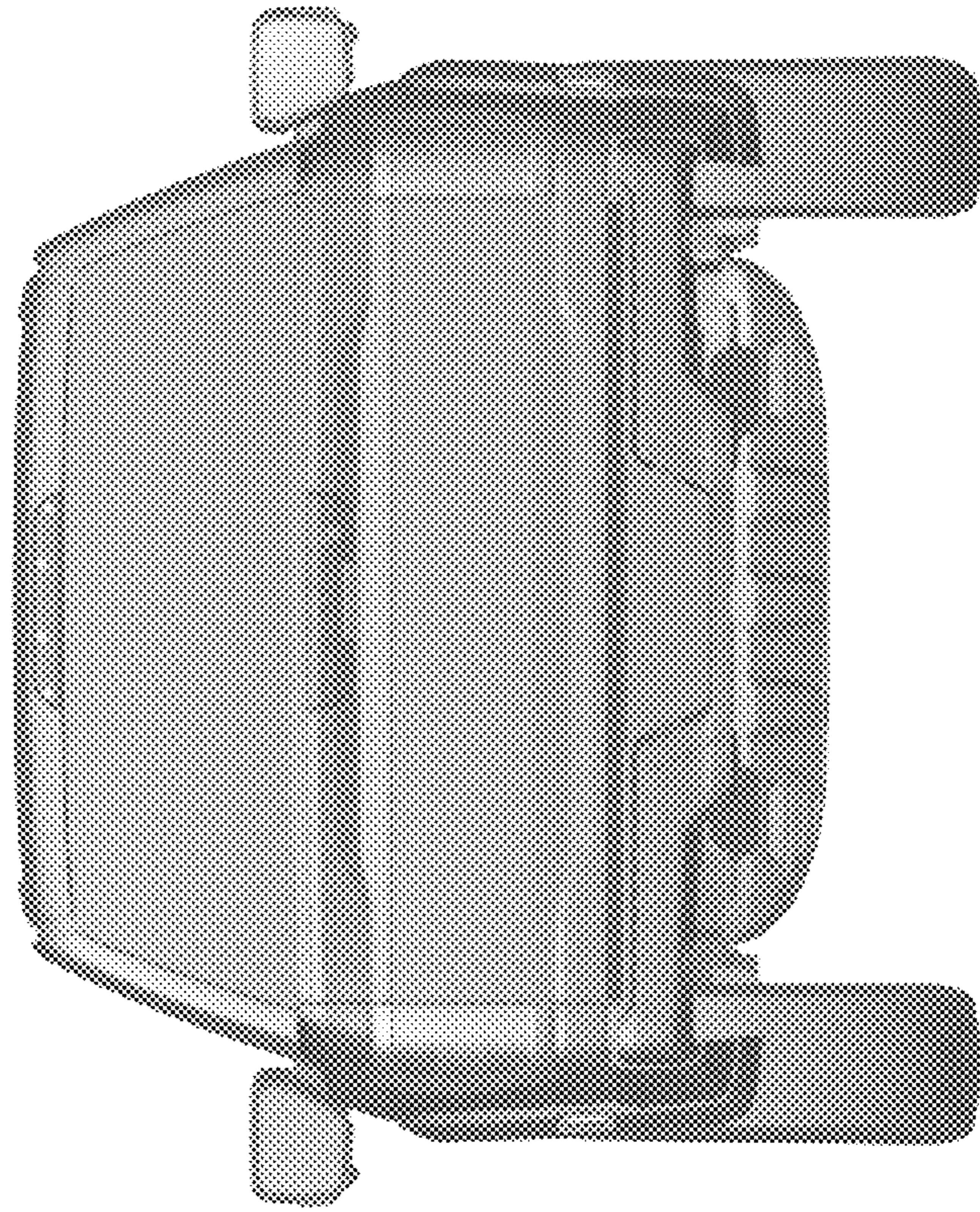


Fig. 2



Fig. 3



Fig.4

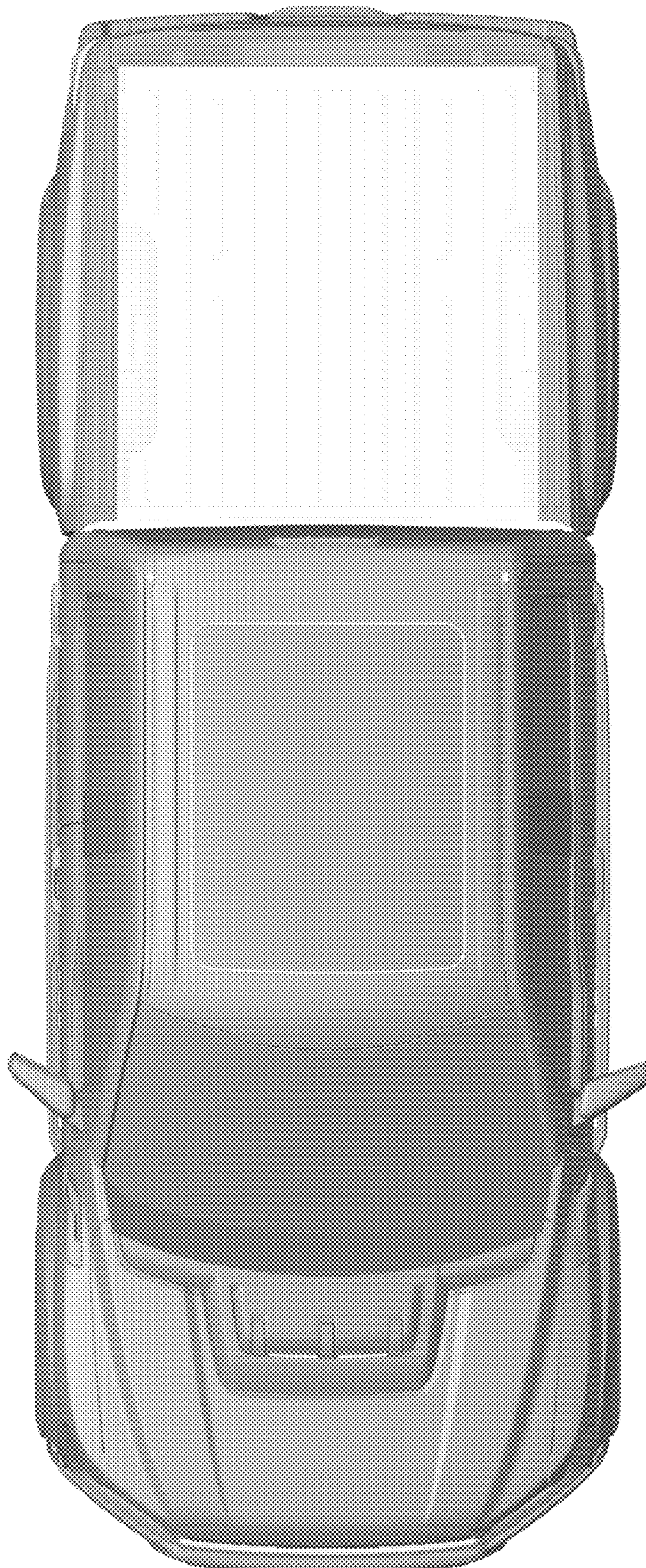


Fig. 5



Fig. 6

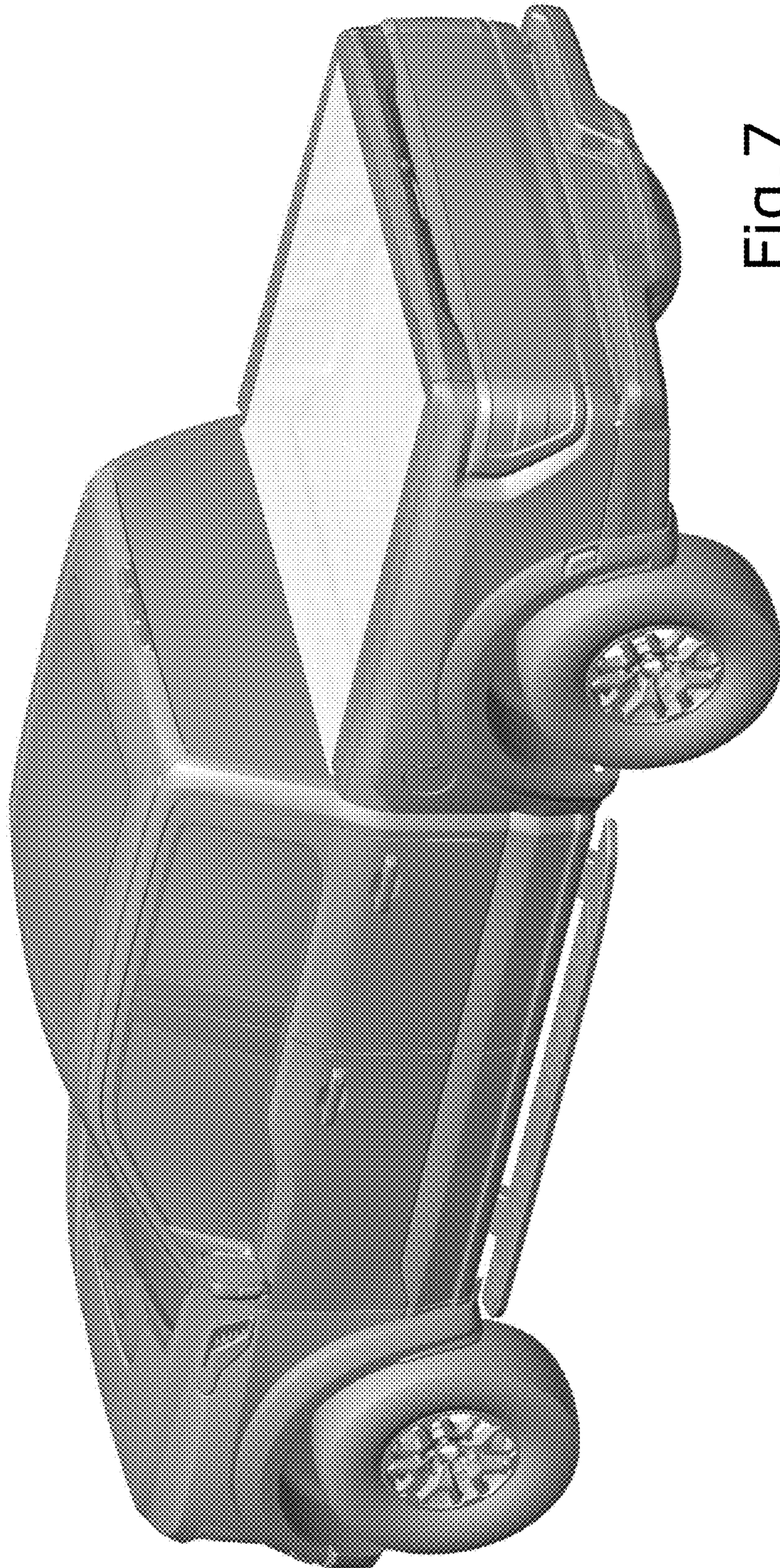


Fig. 7