



US00D966932S

(12) **United States Design Patent**
Li

(10) **Patent No.:** **US D966,932 S**
(45) **Date of Patent:** **** Oct. 18, 2022**

(54) **FLOWERPOT**

(71) Applicant: **Wailin Li**, Guangzhou (CN)

(72) Inventor: **Wailin Li**, Guangzhou (CN)

(**) Term: **15 Years**

(21) Appl. No.: **29/792,590**

(22) Filed: **Apr. 8, 2022**

(51) **LOC (13) Cl.** **11-02**

(52) **U.S. Cl.**
USPC **D11/152**

(58) **Field of Classification Search**
USPC D11/143, 144, 148, 152, 153, 164;
D7/354, 554.2
CPC A01G 9/00; A01G 9/02; A01G 9/021
See application file for complete search history.

(56) **References Cited**

U.S. PATENT DOCUMENTS

D243,031 S *	1/1977	Anderson	47/65.5
D483,690 S *	12/2003	Sieverding	D11/152
D489,501 S *	5/2004	Dretzka	D34/1
D572,168 S *	7/2008	Kurtz	D11/152
D577,630 S *	9/2008	Schmidt	D11/152
D614,080 S *	4/2010	Woerner	D11/152
D830,890 S	10/2018	Itzhak-Sigron et al.		

OTHER PUBLICATIONS

Amazon website, Novelty Majestic Full Depth Round Cylinder Pot, Earliest review date Mar. 9, 2021, [site visited Aug. 13, 2022], Available on the Internet URL www.amazon.com/Depth-Round-Cylinder-Black-10-Inch/product-reviews/B006GK60PC (Year: 2021).*

* cited by examiner

Primary Examiner — S. Bryan Reinholdt, Jr.

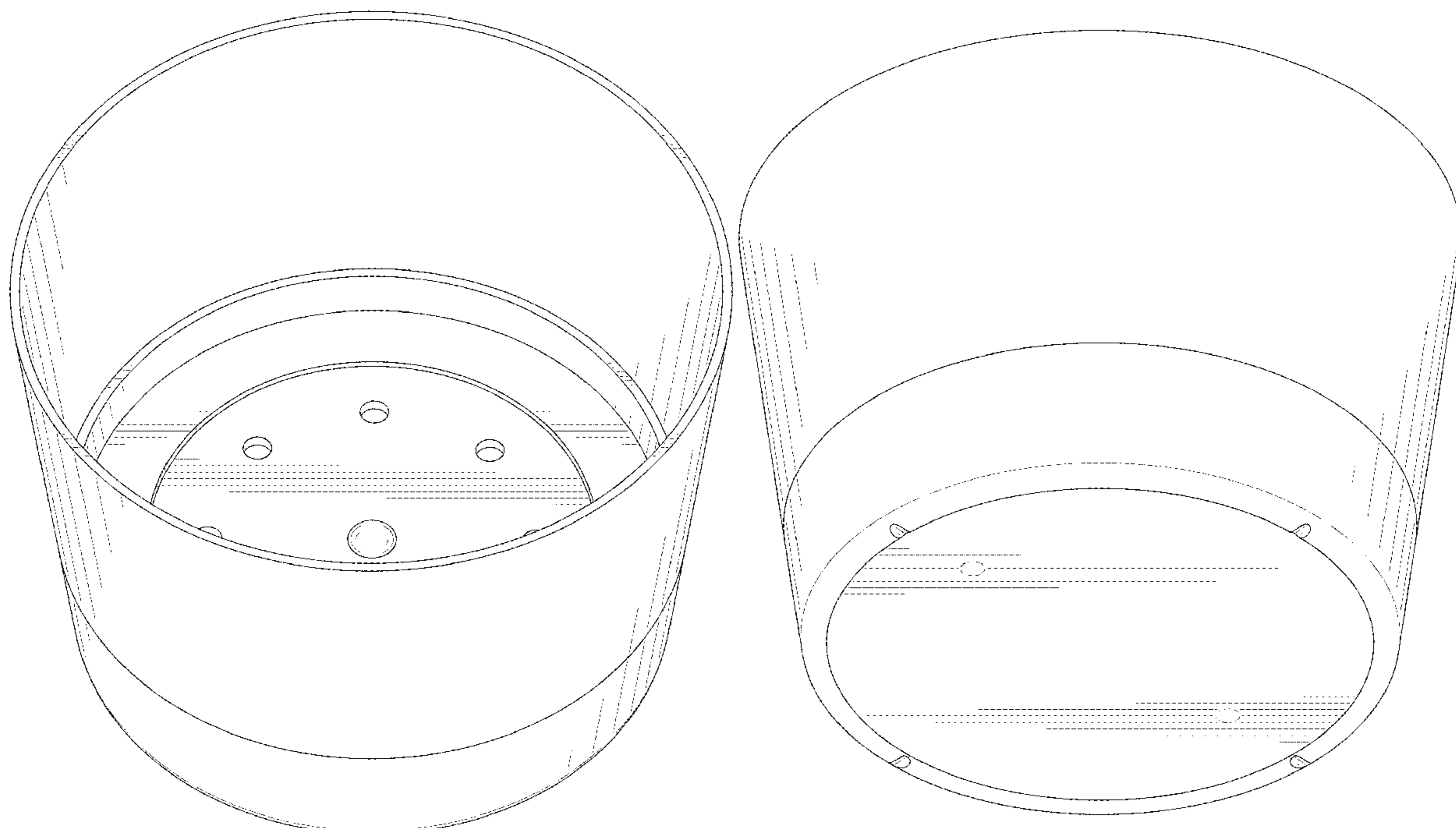
(57) **CLAIM**

The ornamental design for a flowerpot, as shown and described.

DESCRIPTION

FIG. 1 is a front and top perspective view of a flowerpot, showing my new design;
FIG. 2 is a rear and bottom perspective view thereof;
FIG. 3 is a front elevation view thereof;
FIG. 4 is a rear elevation view thereof;
FIG. 5 is a left side elevation view thereof;
FIG. 6 is a right side elevation view thereof;
FIG. 7 is a top plan view thereof; and,
FIG. 8 is a bottom plan view thereof.
The broken lines in the figures illustrate portions of the flowerpot that form no part of the claimed design.

1 Claim, 8 Drawing Sheets



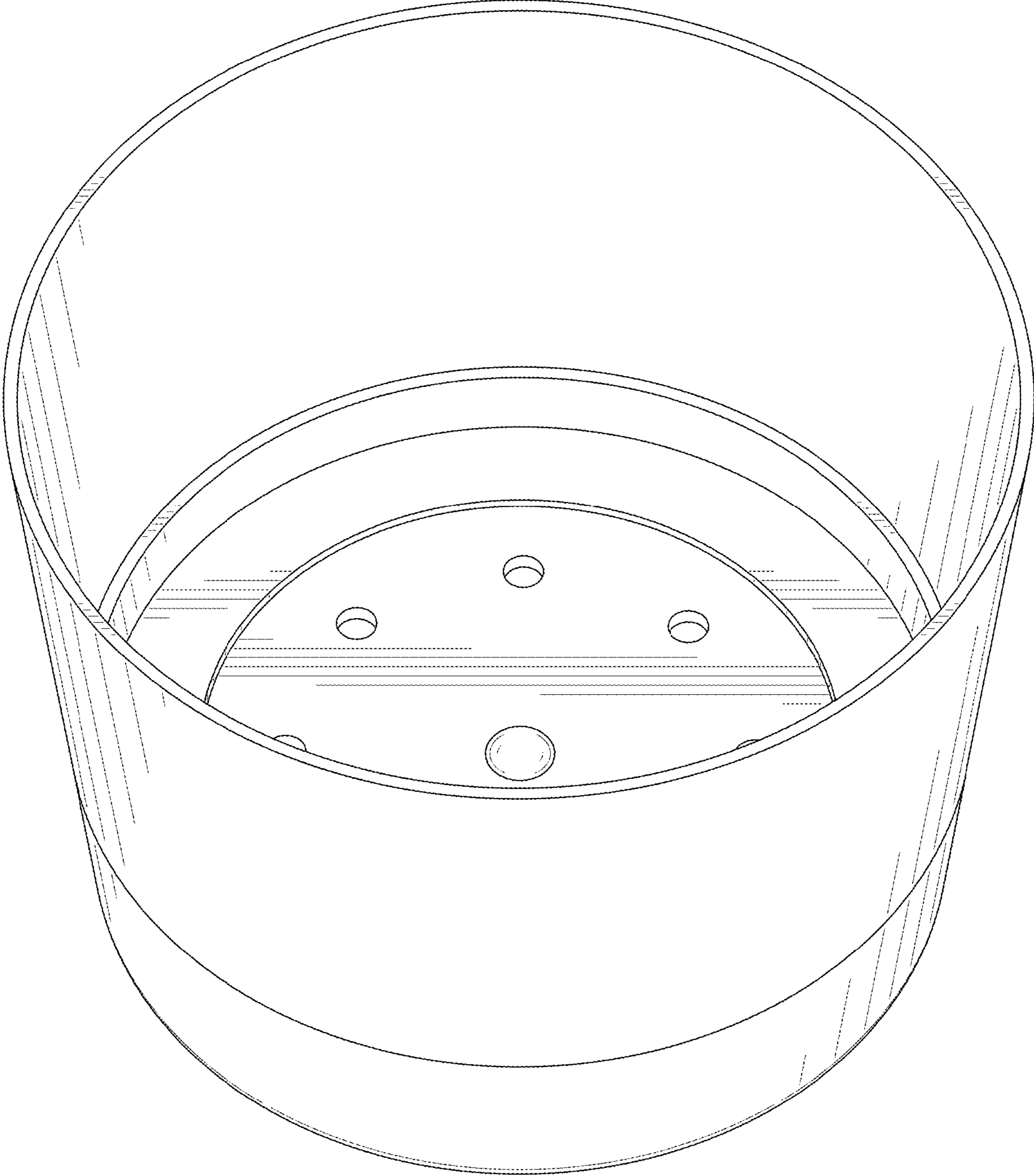


FIG. 1

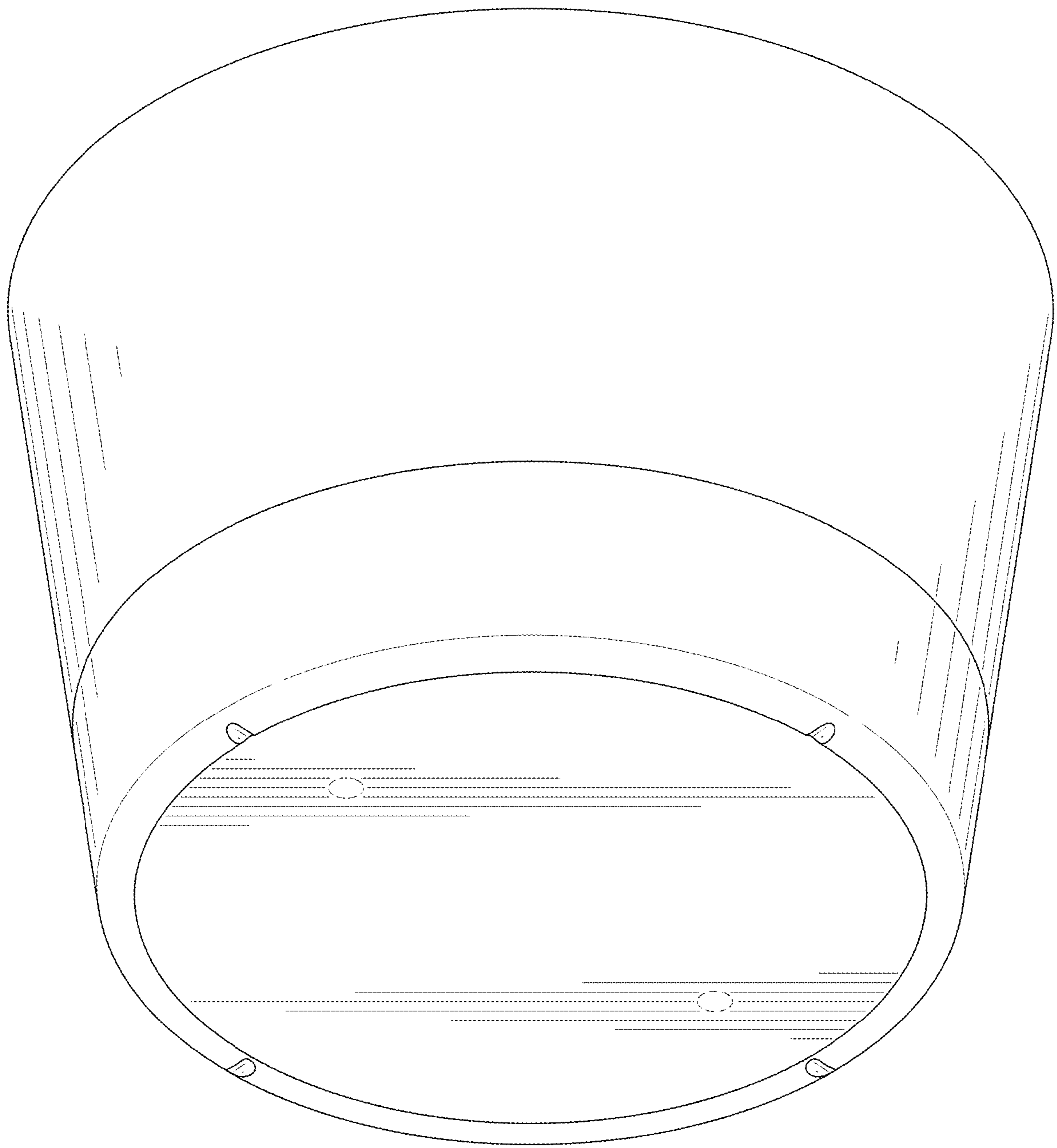


FIG. 2



FIG. 3



FIG. 4



FIG. 5



FIG. 6

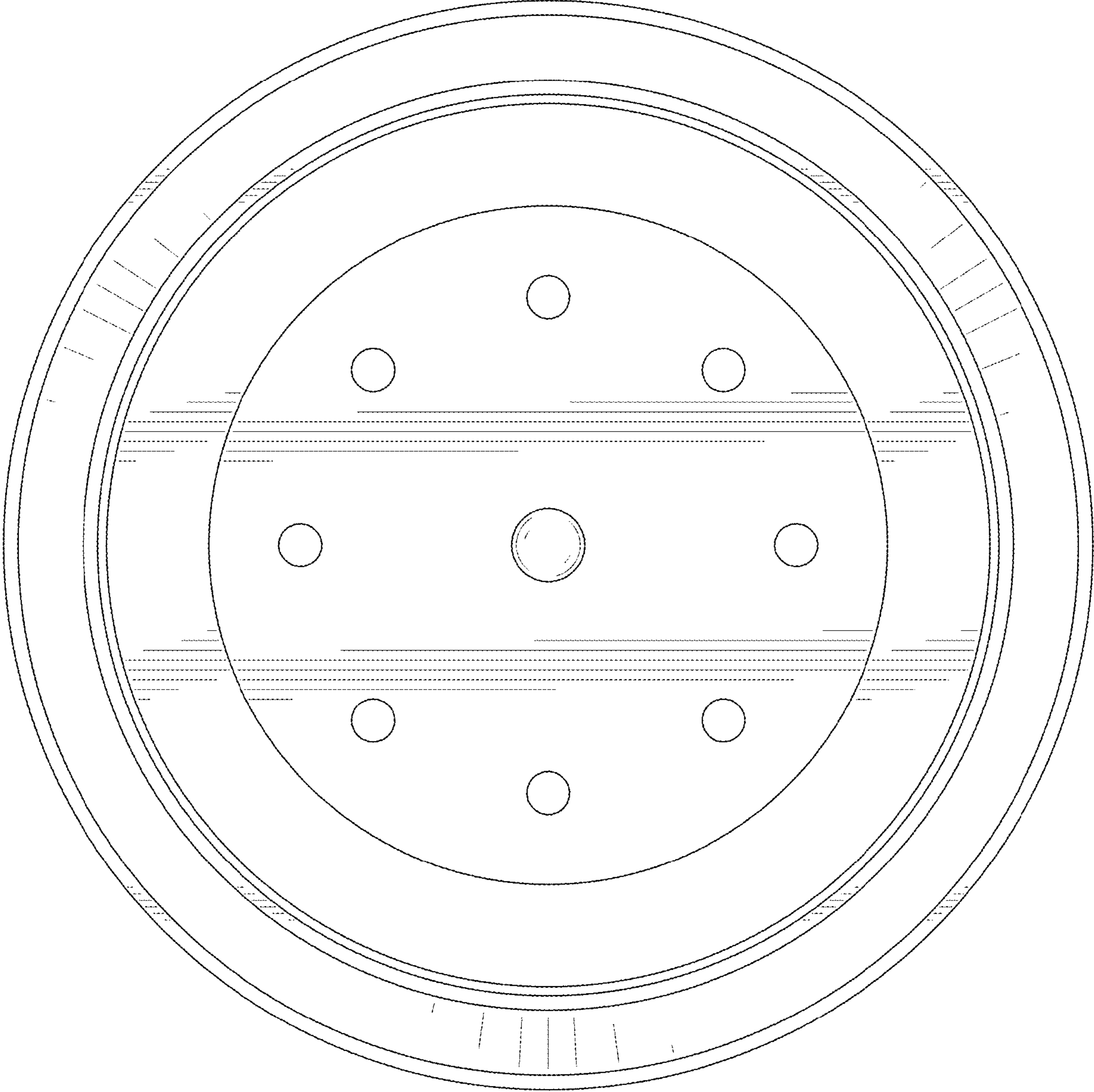


FIG. 7

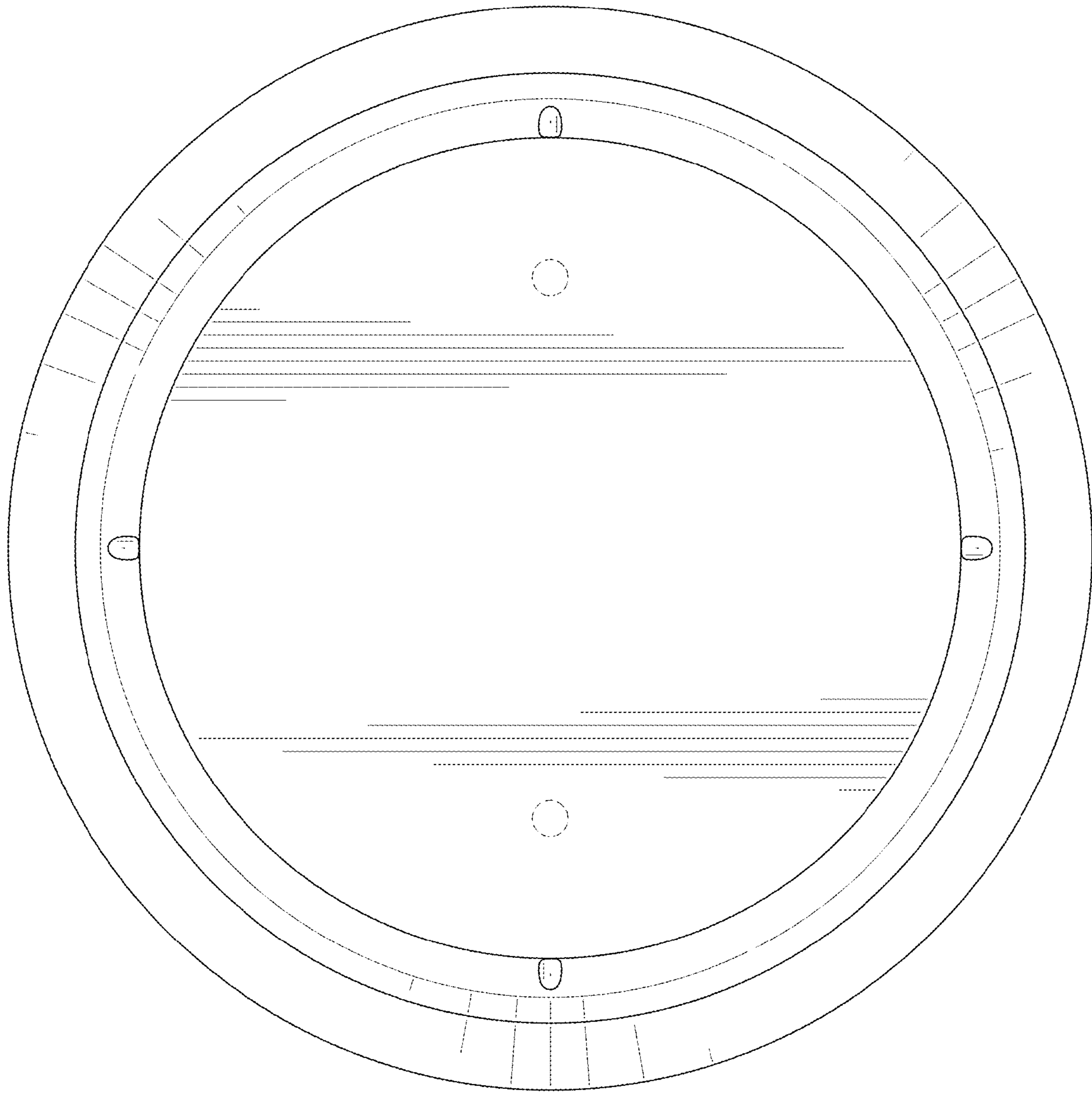


FIG. 8