



US00D966931S

(12) **United States Design Patent** (10) **Patent No.:** **US D966,931 S**
Zhao (45) **Date of Patent:** **** Oct. 18, 2022**

(54) **TREE STAND**

(71) Applicant: **NINGBO FLYING-HORSE INTERNATIONAL TRADE CO., LTD**, Ningbo (CN)

(72) Inventor: **Honghua Zhao**, Ningbo (CN)

(**) Term: **15 Years**

(21) Appl. No.: **29/707,672**

(22) Filed: **Sep. 30, 2019**

(51) **LOC (13) Cl.** **06-99**

(52) **U.S. Cl.**
USPC **D11/130.1**

(58) **Field of Classification Search**
USPC ... D11/117, 121, 130, 130.1, 131, 143, 144, D11/146, 164; 428/7, 8, 9, 12, 15, 19, 428/20; 248/519, 523-526; 47/39, 40.5, 47/41.01, 41.1, 4.11, 41.12, 41.13, 41.14, 47/41.15, 42, 44
CPC . E04H 12/2238; E04H 12/3346; A47G 33/12; A47G 33/1206; A47G 33/1213; A47G 33/1226; A47G 33/1246; A47G 33/126
See application file for complete search history.

(56) **References Cited**

U.S. PATENT DOCUMENTS

2,516,802	A *	7/1950	Richards	A47G 33/12
					D11/130.1
D204,403	S *	4/1966	Richards et al.	D11/130.1
D225,498	S *	12/1972	Norton	D11/130.1
3,729,157	A *	4/1973	Haff	A47G 33/045
					431/297
3,820,749	A *	6/1974	Leonard	A47G 33/12
					D11/130.1
3,838,838	A *	10/1974	Seaman, Jr.	A47G 33/12
					248/188.7
D318,634	S *	7/1991	Tobin	D11/130.1
D329,208	S *	9/1992	Bowling	D11/130.1

D330,875	S *	11/1992	Boucher	D11/130.1
D370,185	S *	5/1996	Grimm	D11/130.1
D382,227	S *	8/1997	Adams	D11/130.1
D403,980	S *	1/1999	Conway	D11/130.1
D418,082	S *	12/1999	Baumann	D11/130.1
D451,431	S *	12/2001	Kao	D11/130.1
D454,518	S *	3/2002	Krinner	D11/130.1
D575,188	S *	8/2008	Bycraft	D11/130.1
7,484,703	B2 *	2/2009	Krinner	A47G 33/1213
					D11/130.1
D667,336	S *	9/2012	Tsai	D11/130.1

(Continued)

OTHER PUBLICATIONS

360-degree Rotating Christmas Tree Stand Bracket For Up To 9.8FT Artificial Tree Replacement Stand, <https://www.aliexpress.com/item/1005003413212988.html>, 2022. (Year: 2022).*

(Continued)

Primary Examiner — Elizabeth J Oswecki
(74) *Attorney, Agent, or Firm* — Rumit Ranjit Kanakia

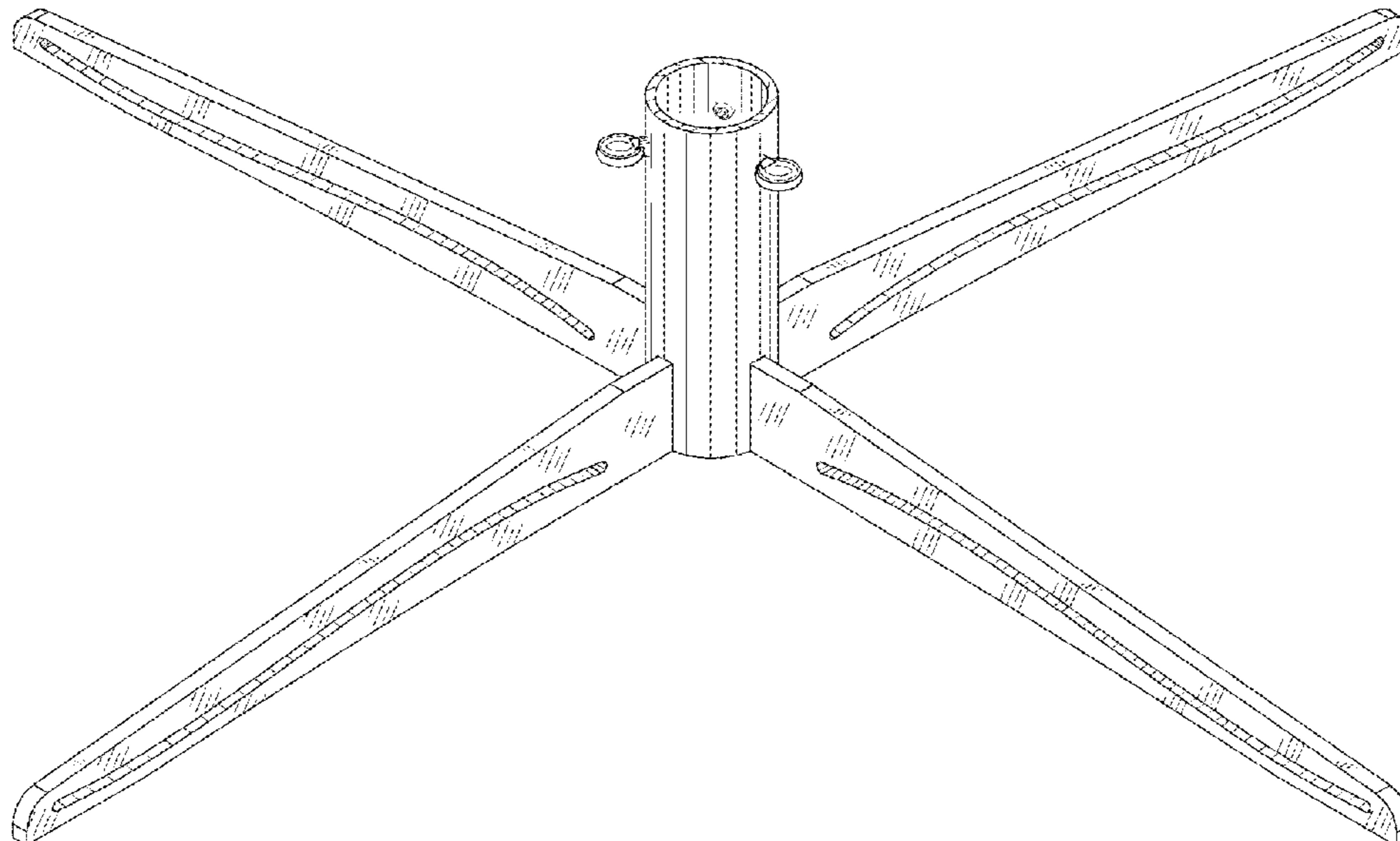
(57) **CLAIM**

The ornamental design for a tree stand, as shown and described.

DESCRIPTION

FIG. 1 is a front elevational view of a tree stand showing my new design;
FIG. 2 is a rear elevational view thereof;
FIG. 3 is a left side elevational view thereof;
FIG. 4 is a right side elevational view thereof;
FIG. 5 is a top plan view thereof;
FIG. 6 is a bottom plan view thereof; and,
FIG. 7 is a perspective view thereof.
The broken lines shown in the drawings depict portions of the tree stand in which the design is embodied that form no part of the claimed design.

1 Claim, 7 Drawing Sheets



(56)

References Cited

U.S. PATENT DOCUMENTS

D825,375 S * 8/2018 Zhao D11/130.1
D863,100 S * 10/2019 Zhao D11/130.1

OTHER PUBLICATIONS

Tree Nest Christmas Tree Stand for Artificial Tree Christmas Base Holder for 6ft 6.5ft 7ft 7.5ft 8ft Fake Tree Stable for Xmas Tree no Christmas Tree Collar or Tree Skirt Needed (Gentle, Black), https://www.amazon.com/Tree-Nest-Gentle-Christmas-Artificial/dp/B08DN8NBY1/ref=sr_1_21?, Nov. 16, 2020. (Year: 2020).*

* cited by examiner

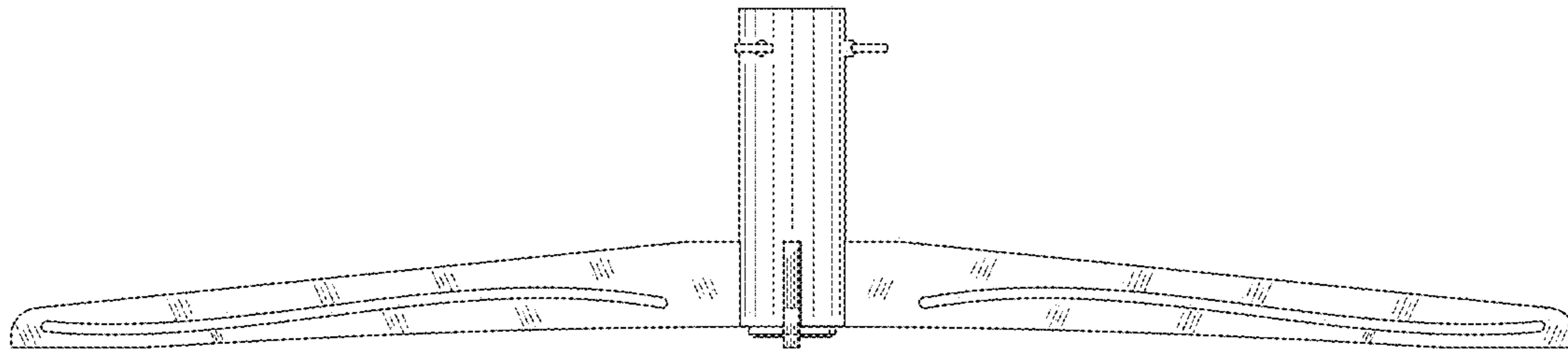


FIG. 1

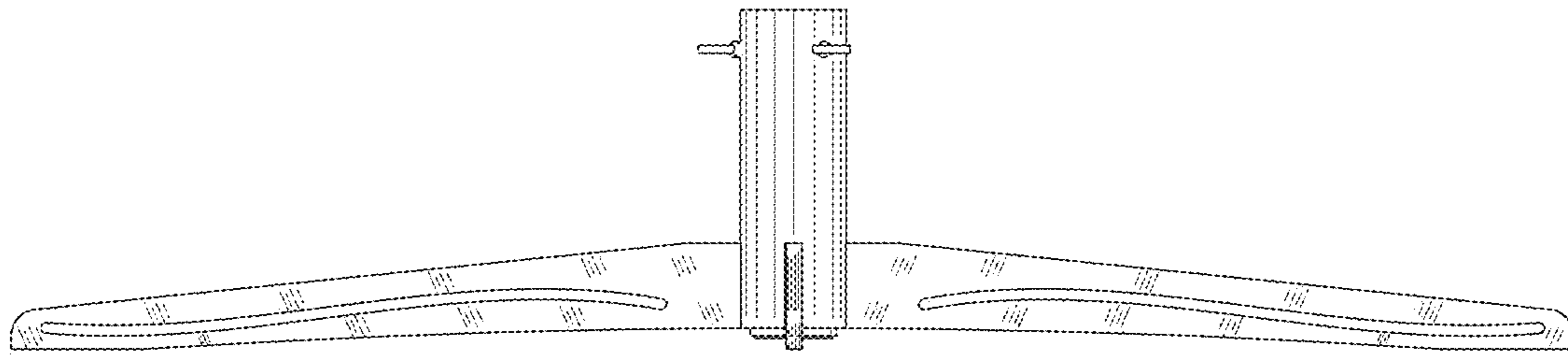


FIG. 2

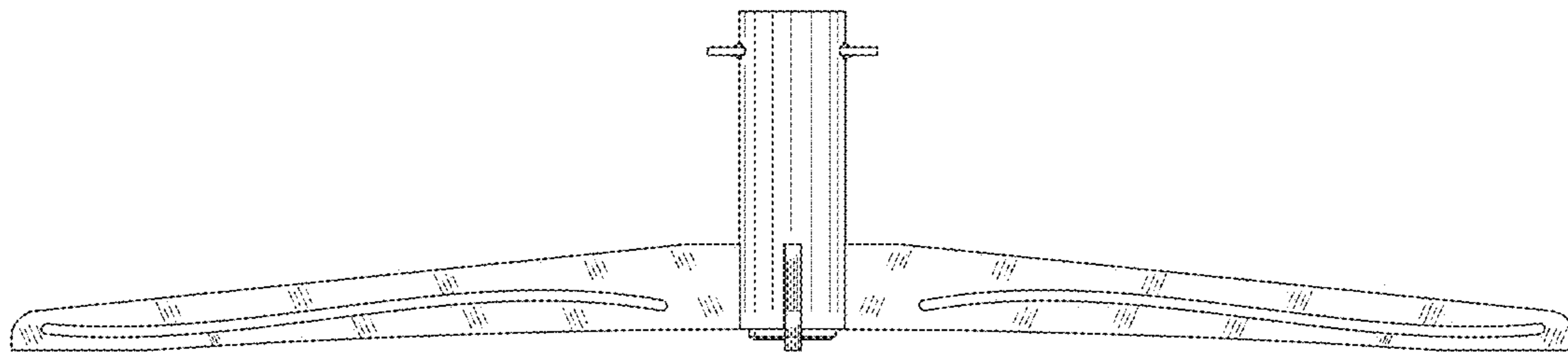


FIG. 3

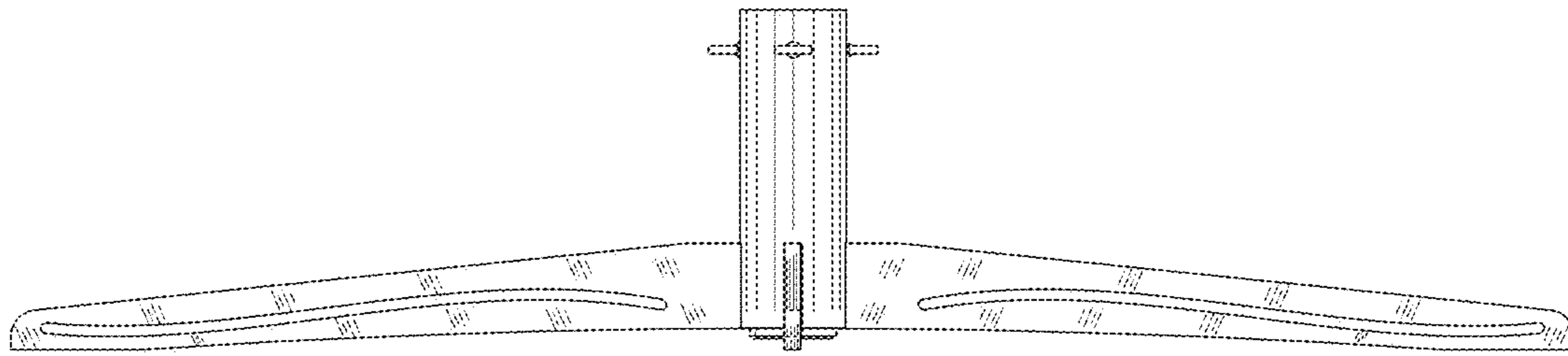


FIG. 4

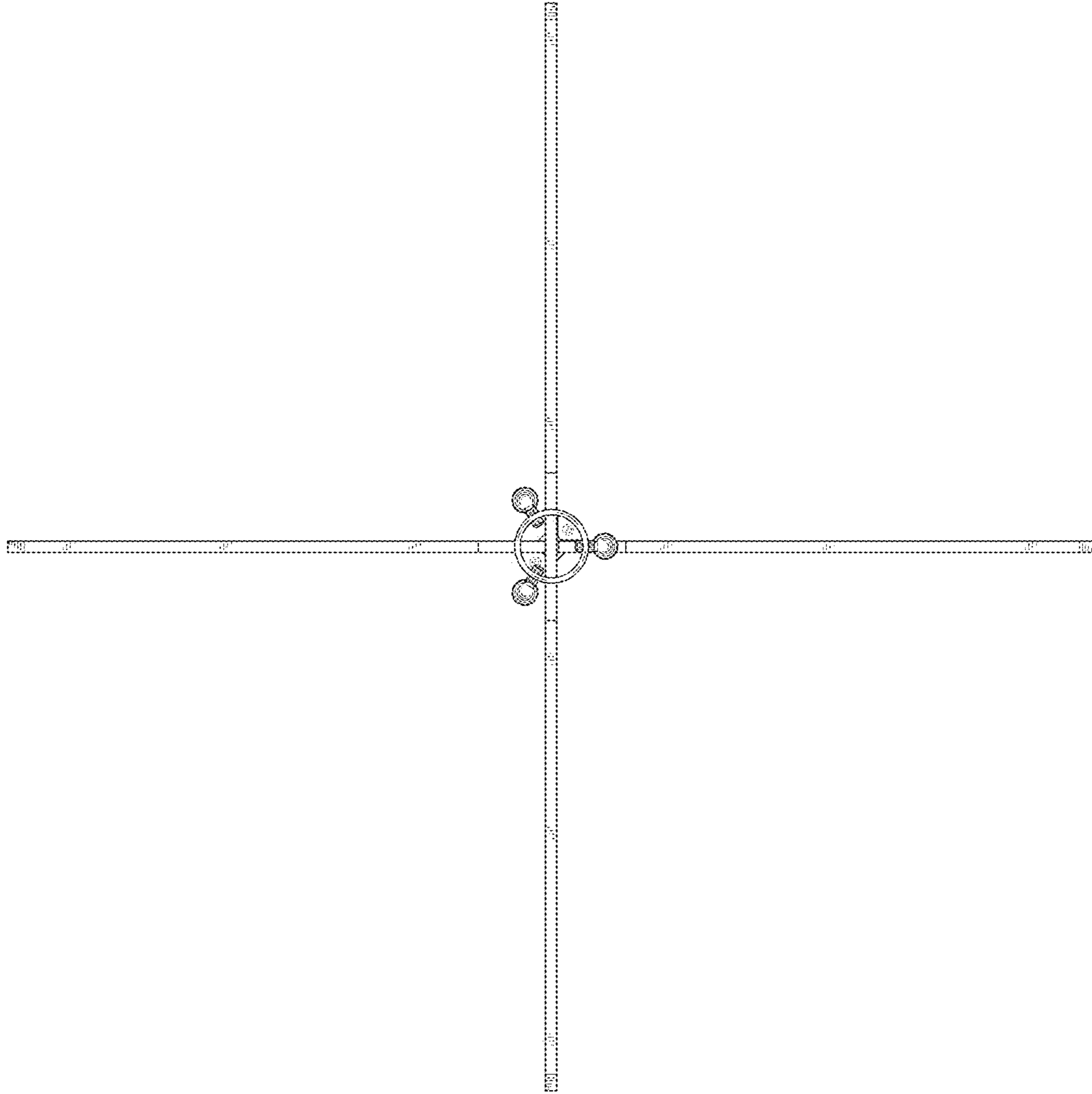


FIG. 5

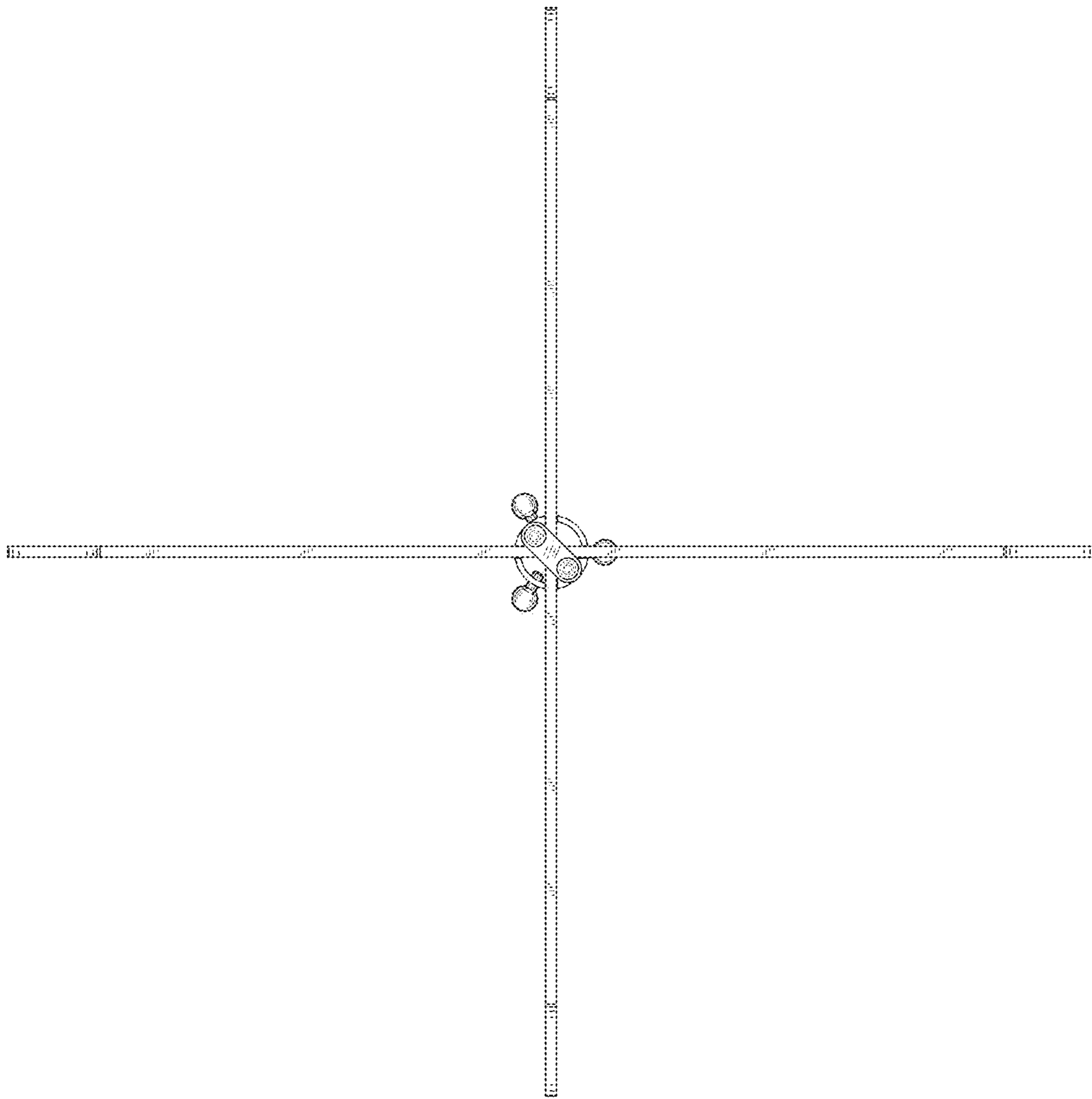


FIG. 6

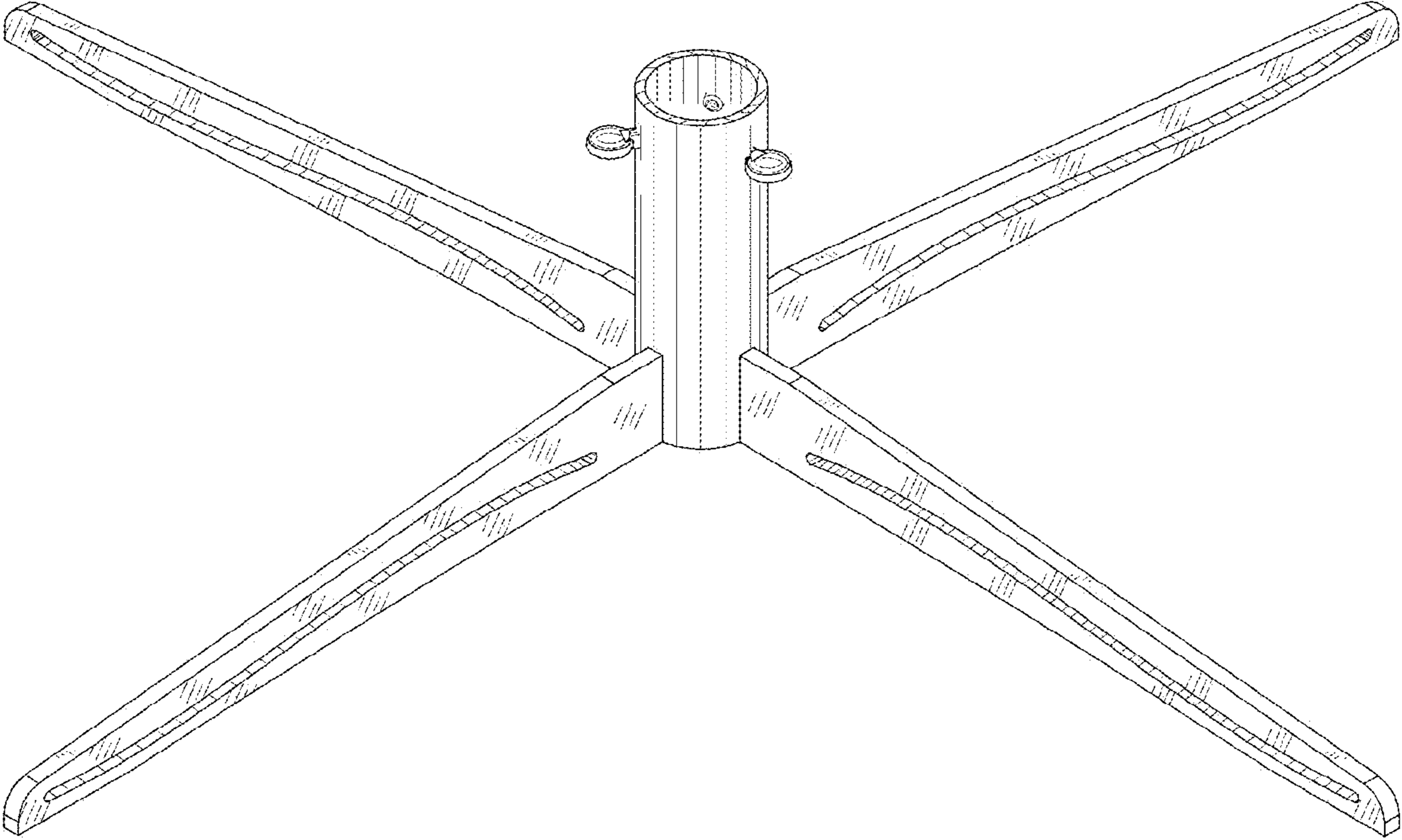


FIG. 7