



US00D966919S

(12) **United States Design Patent** (10) **Patent No.:** **US D966,919 S**  
**Thorne et al.** (45) **Date of Patent:** **\*\* Oct. 18, 2022**

(54) **DOORBELL**

D561,225 S 2/2008 Miyahara  
D569,405 S 5/2008 Ota et al.  
D589,072 S 3/2009 Morisawa  
(Continued)

(71) Applicant: **SimpliSafe, Inc.**, Boston, MA (US)

(72) Inventors: **Scott Joseph Thorne**, Cambridge, MA (US); **Dirk Ahlgrim**, Boston, MA (US)

(73) Assignee: **SimpliSafe, Inc.**, Boston, MA (US)

(\*\*) Term: **15 Years**

(21) Appl. No.: **29/771,096**

(22) Filed: **Feb. 19, 2021**

(51) **LOC (13) Cl.** ..... **10-05**

(52) **U.S. Cl.**  
USPC ..... **D10/118.2**

(58) **Field of Classification Search**

USPC ..... D10/106.6, 106.7, 106.8, 116.1, 118,  
D10/118.1, 118.2, 121-124, 126;  
D13/171, 174; D14/358; D16/202, 203,  
D16/208, 209, 215

CPC . A63H 30/00; G08B 3/00; G08B 3/10; G08B  
7/00; G08B 7/06; G08B 13/1436; G08B  
13/1463; G08B 13/1481; G10K 1/00;  
G10K 1/07; G10K 1/10; G10K 1/63;  
G10K 3/00; G10K 9/00

See application file for complete search history.

(56) **References Cited**

**U.S. PATENT DOCUMENTS**

D411,219 S 6/1999 Sumita  
D450,337 S 11/2001 Hamamura  
D453,176 S 1/2002 Akiyama et al.  
D464,664 S 10/2002 Huang  
D466,142 S 11/2002 Lin et al.  
D479,709 S \* 9/2003 Cocks ..... D13/184  
D501,652 S \* 2/2005 Pierson ..... D13/171  
D502,720 S 3/2005 Egnoto et al.  
D542,820 S \* 5/2007 Depay ..... D16/202  
D555,123 S 11/2007 Mehandjiysky et al.

**FOREIGN PATENT DOCUMENTS**

CN 201930034867.2 \* 6/2019  
CN 202130599972.8 \* 1/2022  
(Continued)

**OTHER PUBLICATIONS**

2-Blink Doorbell, published on Dec. 2, 2021 on amazon.com, retrieved from internet Aug. 5, 2022. <URL:https://www.amazon.com/Blink-Video-Doorbell/dp/B08SG2MS3V/ref=sr\_1\_1\_sspa> (Year: 2021).\*

(Continued)

*Primary Examiner* — Joseph Kukella  
*Assistant Examiner* — Heather A Wencil  
(74) *Attorney, Agent, or Firm* — Wolf, Greenfield & Sacks, P.C.

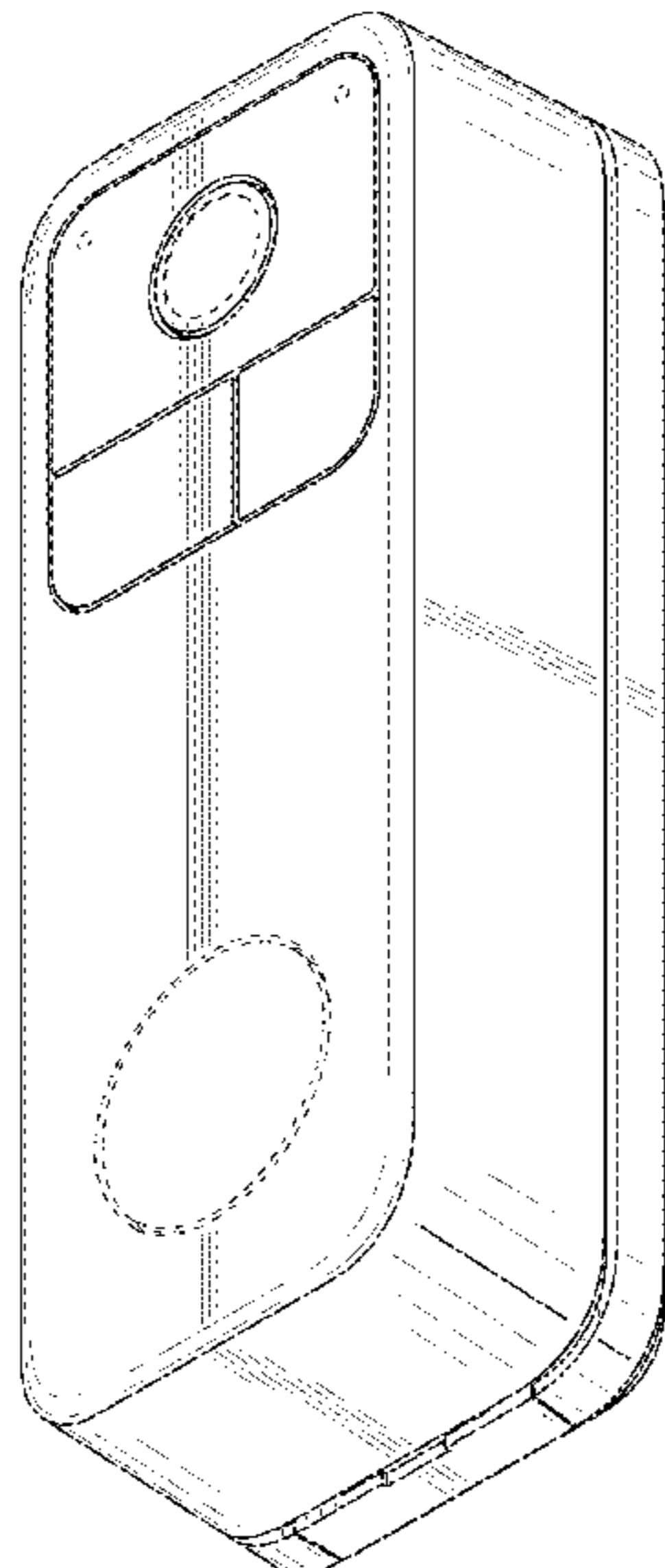
(57) **CLAIM**

The ornamental design for doorbell, as shown and described.

**DESCRIPTION**

FIG. 1 shows a lower front right perspective view of the doorbell;  
FIG. 2 shows a front view thereof;  
FIG. 3 shows a rear view thereof;  
FIG. 4 shows a left side view thereof;  
FIG. 5 shows a right side view thereof;  
FIG. 6 shows a top view thereof;  
FIG. 7 shows a bottom view thereof; and,  
FIG. 8 shows an upper rear right perspective view thereof.  
In the drawings, the broken lines depict environmental subject matter that forms no part of the claimed design.

**1 Claim, 5 Drawing Sheets**



(56)

References Cited

U.S. PATENT DOCUMENTS

D612,882 S 3/2010 Kim et al.  
 D684,957 S \* 6/2013 Smith ..... D14/242  
 D692,939 S \* 11/2013 Huang ..... D16/218  
 D698,841 S \* 2/2014 Lee ..... D16/202  
 D743,467 S 11/2015 Bhattacharya  
 D747,386 S 1/2016 Li  
 D788,834 S 6/2017 Bhattacharya et al.  
 D795,940 S 8/2017 Huang  
 D801,940 S \* 11/2017 Aketa ..... D13/168  
 D810,042 S \* 2/2018 Pazhoor ..... D14/158  
 D814,413 S \* 4/2018 Zhong ..... D13/108  
 D817,206 S \* 5/2018 Lee ..... D10/106.7  
 D817,207 S 5/2018 Scalisi  
 D819,476 S 6/2018 Siminoff  
 D822,520 S 7/2018 Siminoff et al.  
 D823,370 S \* 7/2018 Lee ..... D16/203  
 D828,201 S 9/2018 Jeong  
 D829,585 S 10/2018 Siminoff et al.  
 D830,871 S 10/2018 Siminoff et al.  
 D830,872 S 10/2018 Jacob et al.  
 D832,402 S \* 10/2018 Lance ..... D23/250  
 D833,313 S 11/2018 Siminoff et al.  
 D842,156 S \* 3/2019 Hanna ..... H04N 5/23238  
 D10/118.2  
 D850,442 S 6/2019 Yamazaki et al.  
 D854,958 S 7/2019 Siminoff et al.  
 D858,603 S 9/2019 Ye  
 D860,029 S 9/2019 Yang  
 D866,380 S 11/2019 Siminoff et al.  
 D875,158 S 2/2020 Wang et al.

D875,809 S \* 2/2020 Huang ..... D16/202  
 D892,661 S 8/2020 Siminoff et al.  
 D901,496 S \* 11/2020 Hachiya ..... D14/388  
 D907,090 S \* 1/2021 Zheng ..... D16/202  
 D934,938 S \* 11/2021 Li ..... D16/202  
 D954,583 S \* 6/2022 Russo ..... D10/118.2  
 2016/0337583 A1\* 11/2016 Kang ..... H04N 5/23238

FOREIGN PATENT DOCUMENTS

CN 202130676912.1 \* 5/2022  
 EM 002911404-0001 7/2017  
 EM 007488739-0001 1/2020  
 EM 008651798-004 \* 8/2021  
 GB 4037288 9/2014

OTHER PUBLICATIONS

Logitech Circle, published on Jun. 23, 2021 on amazon.com, retrieved from internet Aug. 9, 2022. <URL:https://www.amazon.com/gp/product/B0973VX7F2/ref=ask\_ql\_qh\_dp\_hza> (Year: 2021).\*  
 1-Blink Doorbell, published on Apr. 13, 2022 on amazon.com, retrieved from internet Aug. 9, 2022. <URL:https://www.amazon.com/Doorbell-No-Drill-Mounting-Bracket-adjustable/dp/B09XTMKS9Y/ref=cm\_cr\_srp\_d\_product\_top> (Year: 2022).\*  
 3-Blink Doorbell, published on May 10, 2022 on amazon.com, retrieve from internet Aug. 9, 2022. <URL:https://www.amazon.com/Adhesive-Compatible-Doorbell-No-Drill-Accessories/dp/B09ZYG5M/ref=cm\_cr\_srp\_d\_product\_top> (Year: 2022).\*

\* cited by examiner

FIG. 1

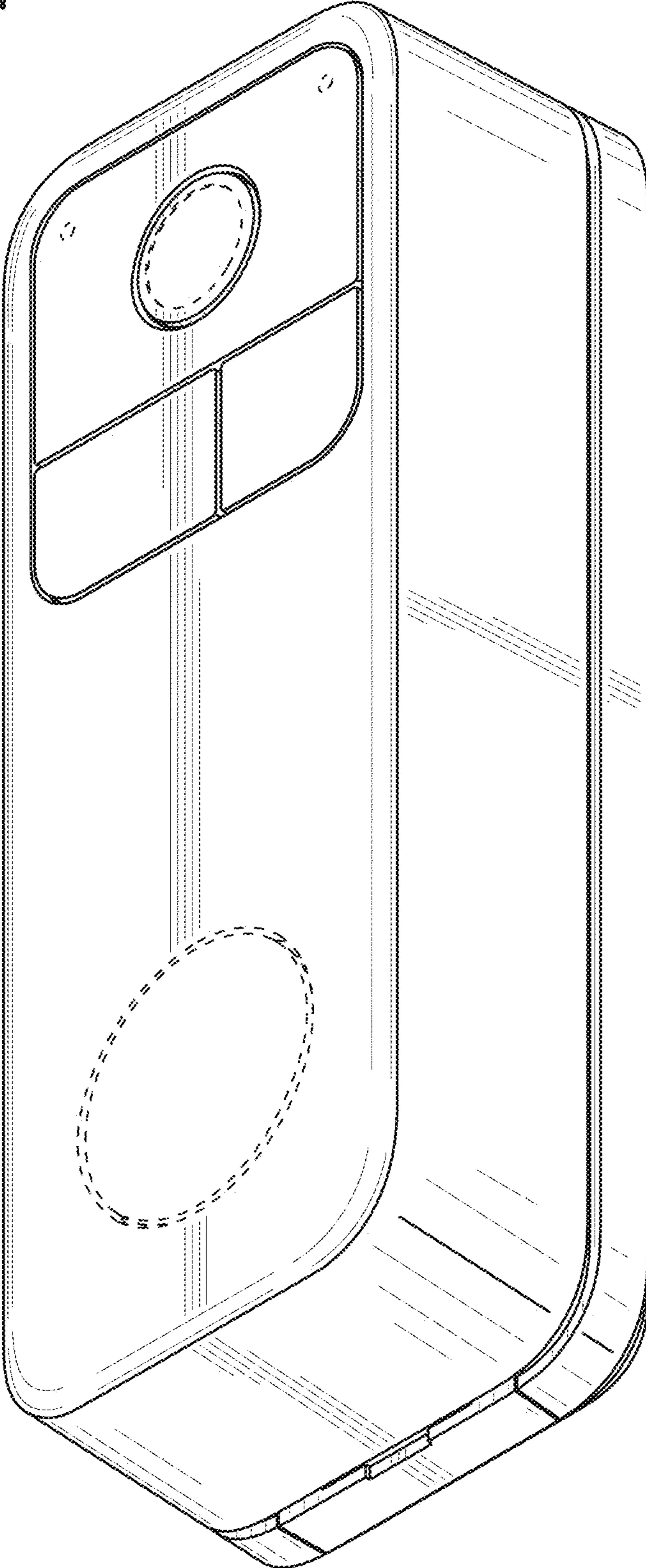


FIG. 2

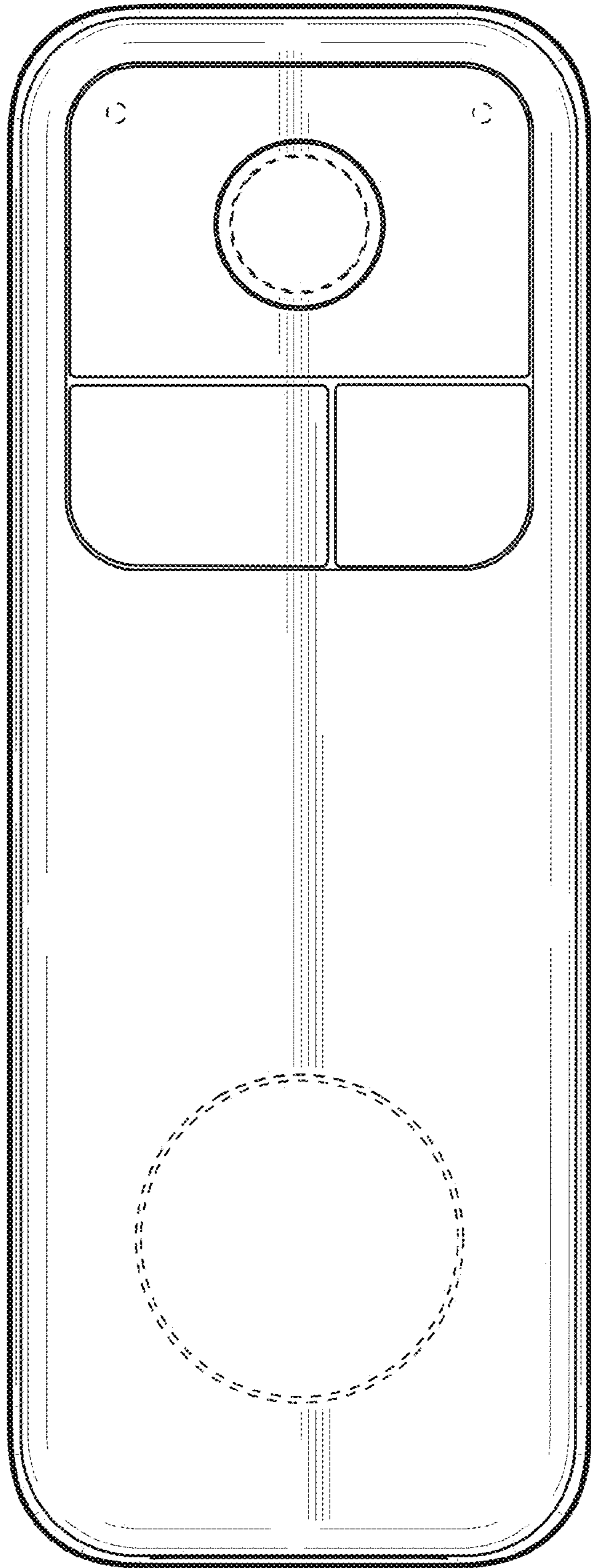


FIG. 3

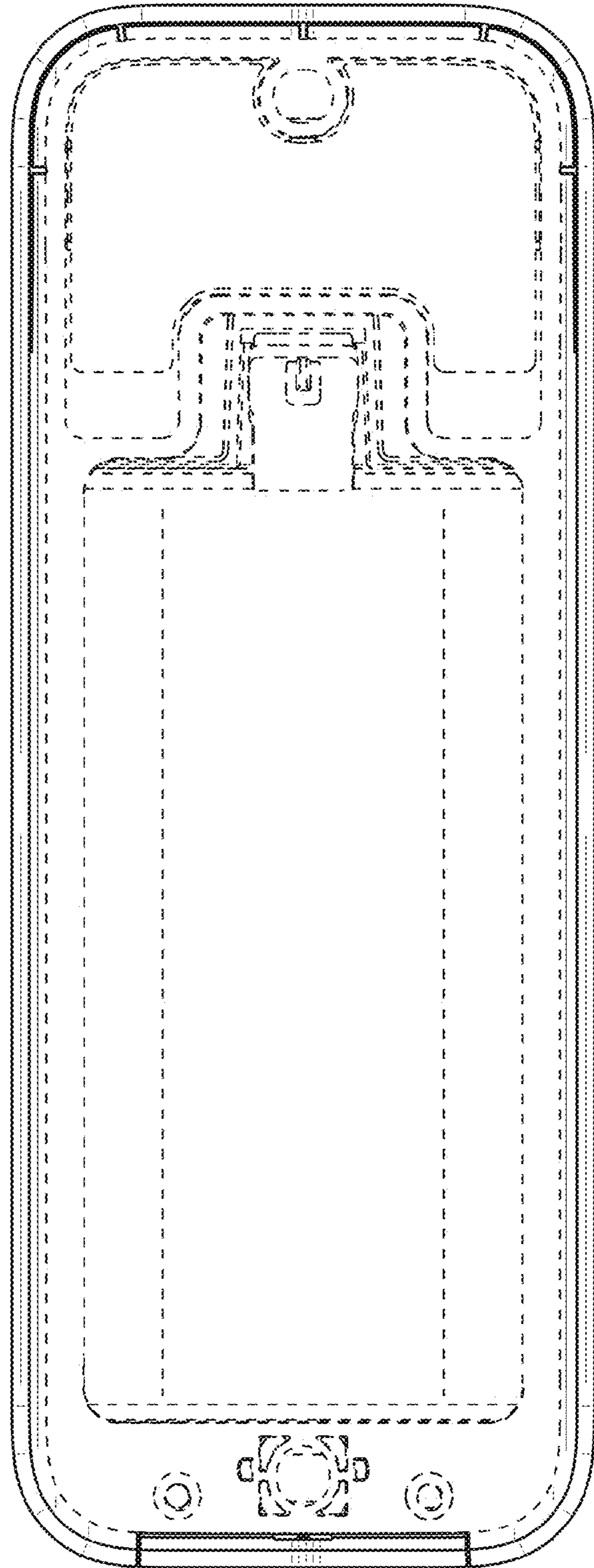


FIG. 4

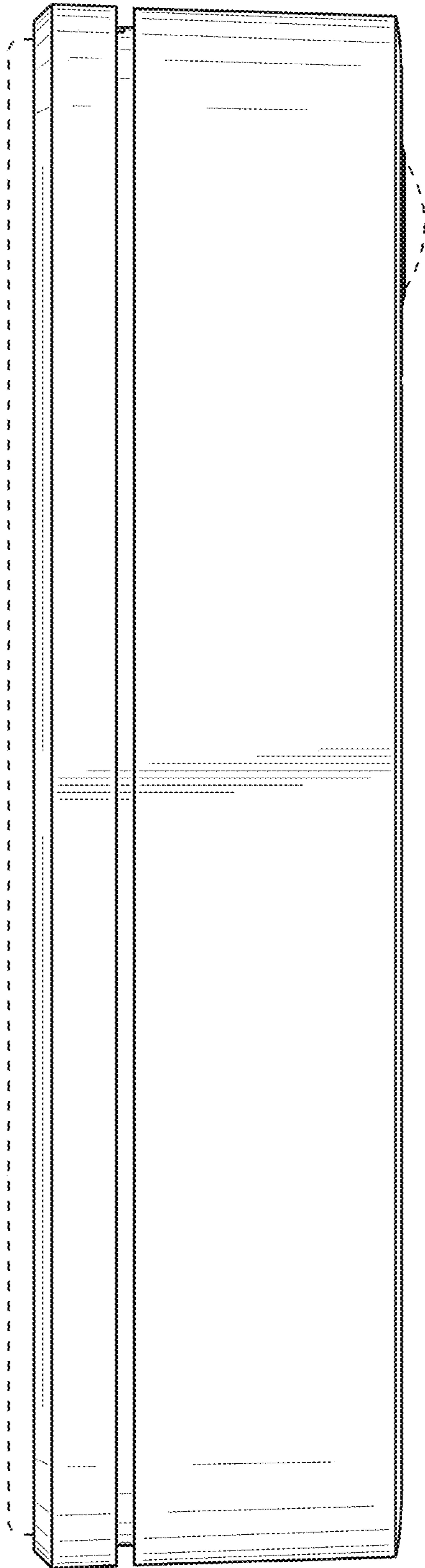


FIG. 5

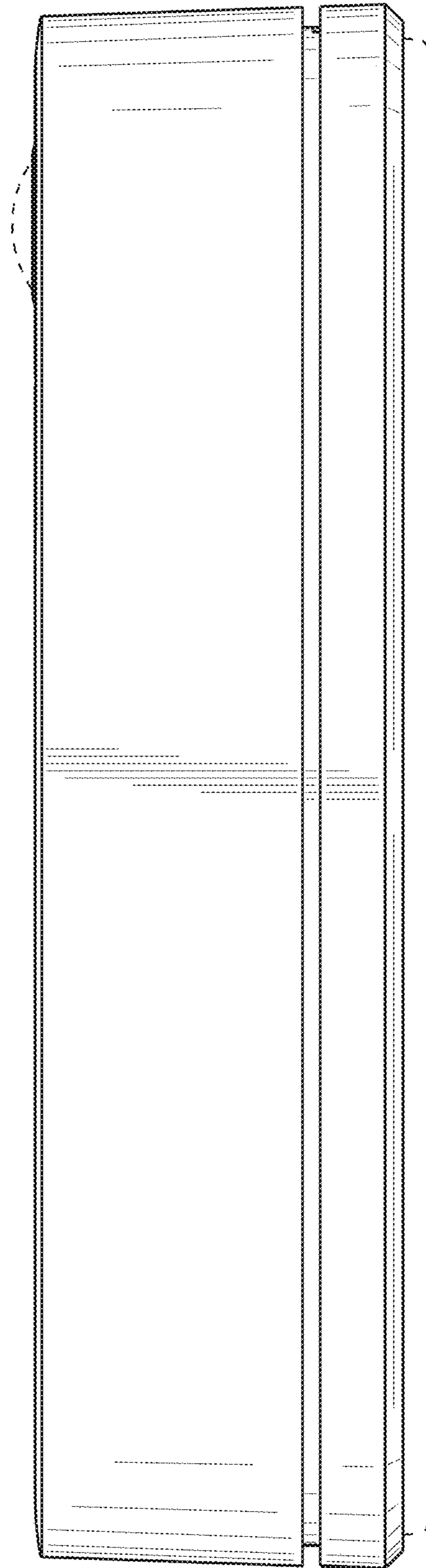


FIG. 6

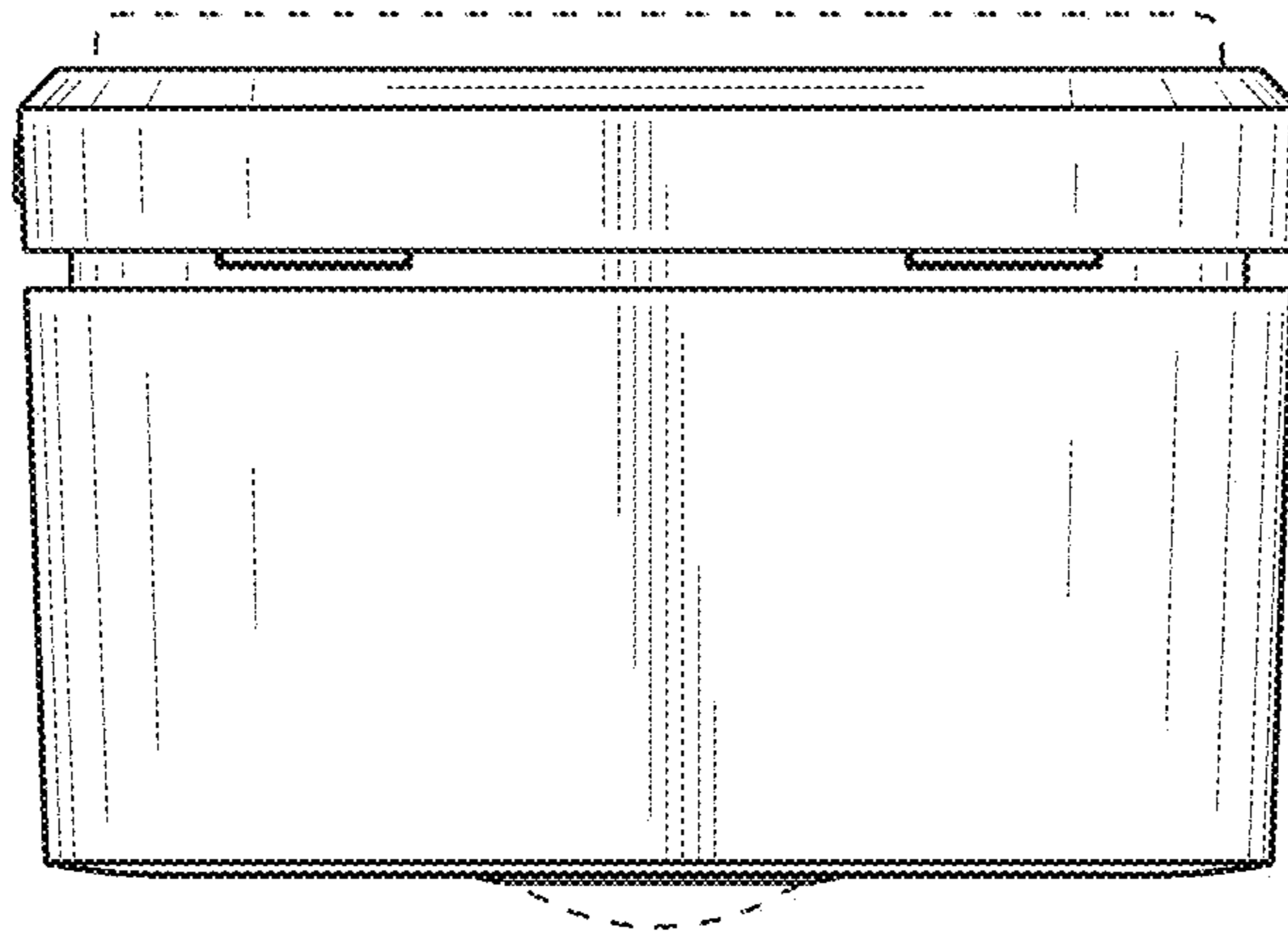


FIG. 7

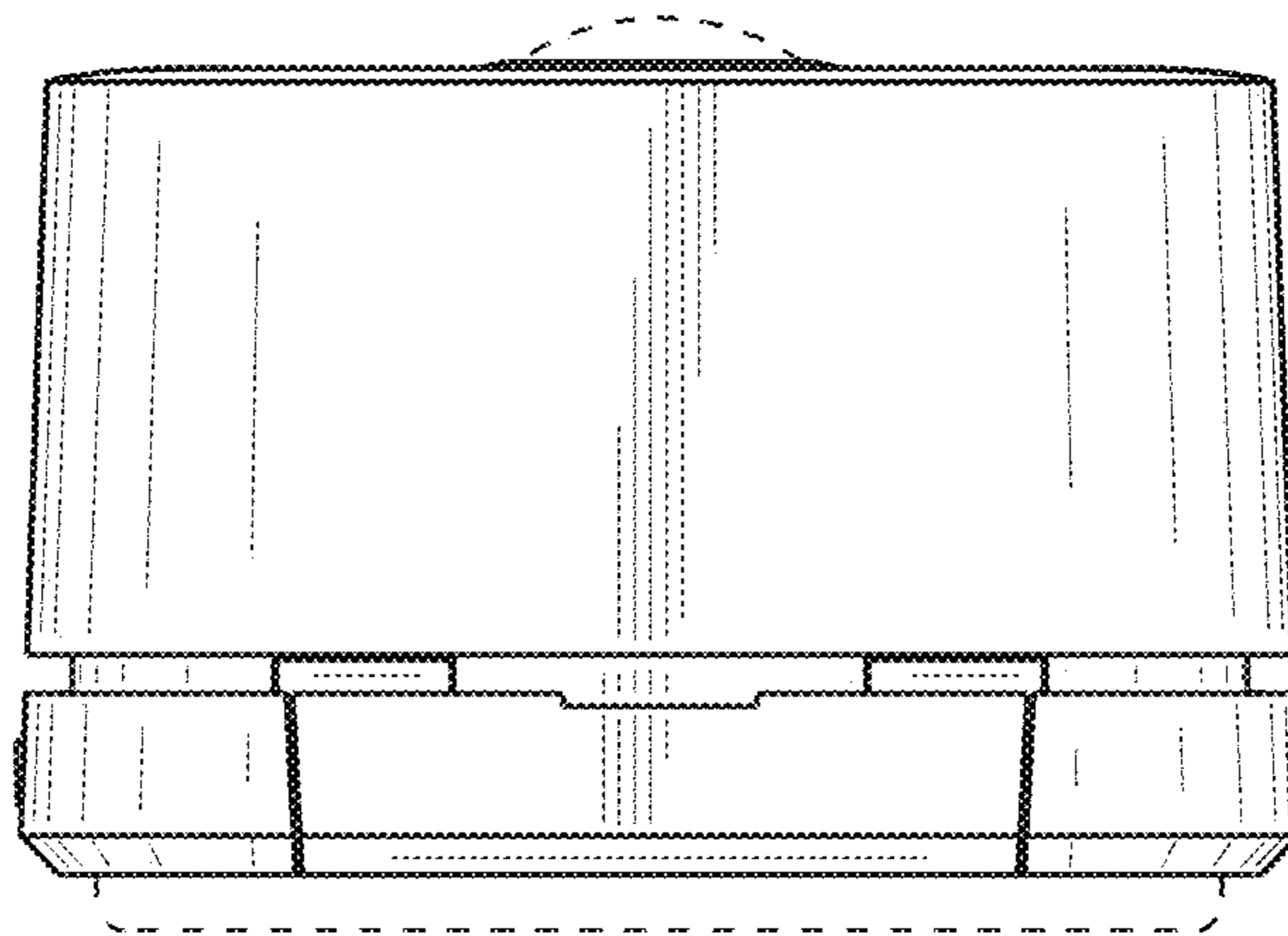


FIG. 8

