

US00D966918S

(12) **United States Design Patent** (10) **Patent No.:** **US D966,918 S**
Lai et al. (45) **Date of Patent:** **** Oct. 18, 2022**

(54) **DOORBELL**

D693,710 S * 11/2013 Bachel D10/70
D760,312 S * 6/2016 Lee D16/218
D772,735 S * 11/2016 Mansueto D10/50

(Continued)

(71) Applicant: **Shenzhen Oceanwing Smart Innovations Technology Co., Ltd,**
Changsha (CN)

FOREIGN PATENT DOCUMENTS

(72) Inventors: **Jihui Lai**, Shenzhen (CN); **Qin Tan**,
Shenzhen (CN)

CN 201830041753 * 11/2018
CN 202030104085.4 * 9/2020

(Continued)

(73) Assignee: **Shenzhen Oceanwing Smart Innovations Technology Co., Ltd,**
Shenzhen (CN)

OTHER PUBLICATIONS

(**) Term: **15 Years**

Aosu, published on Oct. 28, 2021 on amazon.com, retrieved from internet on Aug. 9, 2022. <URL:https://www.amazon.com/Doorbell-Wireless-Detection-Homebase-Assistant/dp/B09H2T18WD> (Year: 2021).*

(21) Appl. No.: **29/763,646**

(22) Filed: **Dec. 23, 2020**

Primary Examiner — Joseph Kukella
Assistant Examiner — Heather Ann Laaveg Wencil
(74) *Attorney, Agent, or Firm* — Banner & Witcoff, Ltd.

(30) **Foreign Application Priority Data**

Jul. 20, 2020 (CN) 202030392481.1

(51) **LOC (13) Cl.** **10-05**

(52) **U.S. Cl.**
USPC **D10/118.2**

(58) **Field of Classification Search**
USPC D10/106.6, 106.7, 106.8, 116.1, 118,
D10/118.1, 118.2, 121–124, 126;
D13/171, 174; D14/358; D16/202, 203,
D16/208, 209, 215
CPC . A63H 30/00; G08B 3/00; G08B 7/00; G08B
13/1436; G08B 3/10; G08B 7/06; G08B
13/1463; G08B 13/1481; G10K 1/00;
G10K 3/00; G10K 1/07; G10K 1/10;
G10K 1/63; G10K 9/00

See application file for complete search history.

(56) **References Cited**

U.S. PATENT DOCUMENTS

D421,966 S * 3/2000 Allen D13/174
6,260,729 B1 * 7/2001 Mitchell B65D 41/22
220/780

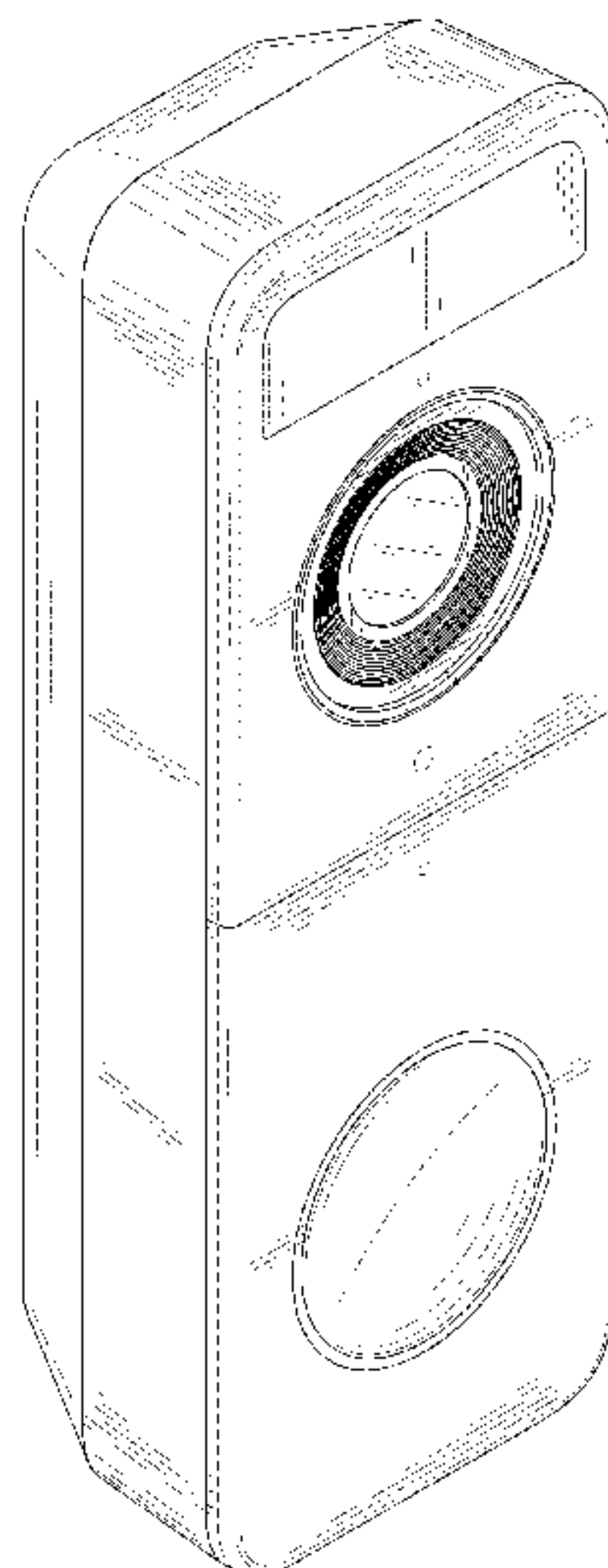
(57) **CLAIM**

The ornamental design for a doorbell, as shown and described.

DESCRIPTION

FIG. 1 is a front perspective view of a doorbell showing our new design;
FIG. 2 is a front view thereof;
FIG. 3 is a rear view thereof;
FIG. 4 is a top view thereof;
FIG. 5 is a bottom view thereof;
FIG. 6 is a left side view thereof;
FIG. 7 is a right side view thereof;
FIG. 8 is a cross-sectional view taken along line 8-8 of FIG. 2; and,
FIG. 9 is an enlarged view of the encircled portion 9 indicated in FIG. 8.
The broken lines depict portions of the doorbell that form no part of the claimed design.

1 Claim, 9 Drawing Sheets



(56)

References Cited

U.S. PATENT DOCUMENTS

D795,833 S * 8/2017 Zhou D14/159
D824,385 S * 7/2018 Peiker D14/496
D853,265 S * 7/2019 Grearson G08B 13/19621
D10/118.2
D875,809 S * 2/2020 Huang D16/202
D897,878 S * 10/2020 Lian H04N 7/181
D10/118.2
D917,439 S * 4/2021 Mochizuki G06T 7/20
D14/240
D939,991 S * 1/2022 Yang D10/118.2
D953,907 S * 6/2022 McManigal D10/118.2
D954,583 S * 6/2022 Russo B65D 41/22
D10/118.2
2012/0003953 A1* 1/2012 Degelsegger G08B 13/19621
455/404.1
2018/0053408 A1* 2/2018 Siminoff G06T 7/20
2018/0192008 A1* 7/2018 Zhou H04N 7/183
2021/0099676 A1* 4/2021 England H04N 7/181

FOREIGN PATENT DOCUMENTS

CN 202030392481.1 * 12/2020
CN 202130232308.X * 9/2021

* cited by examiner

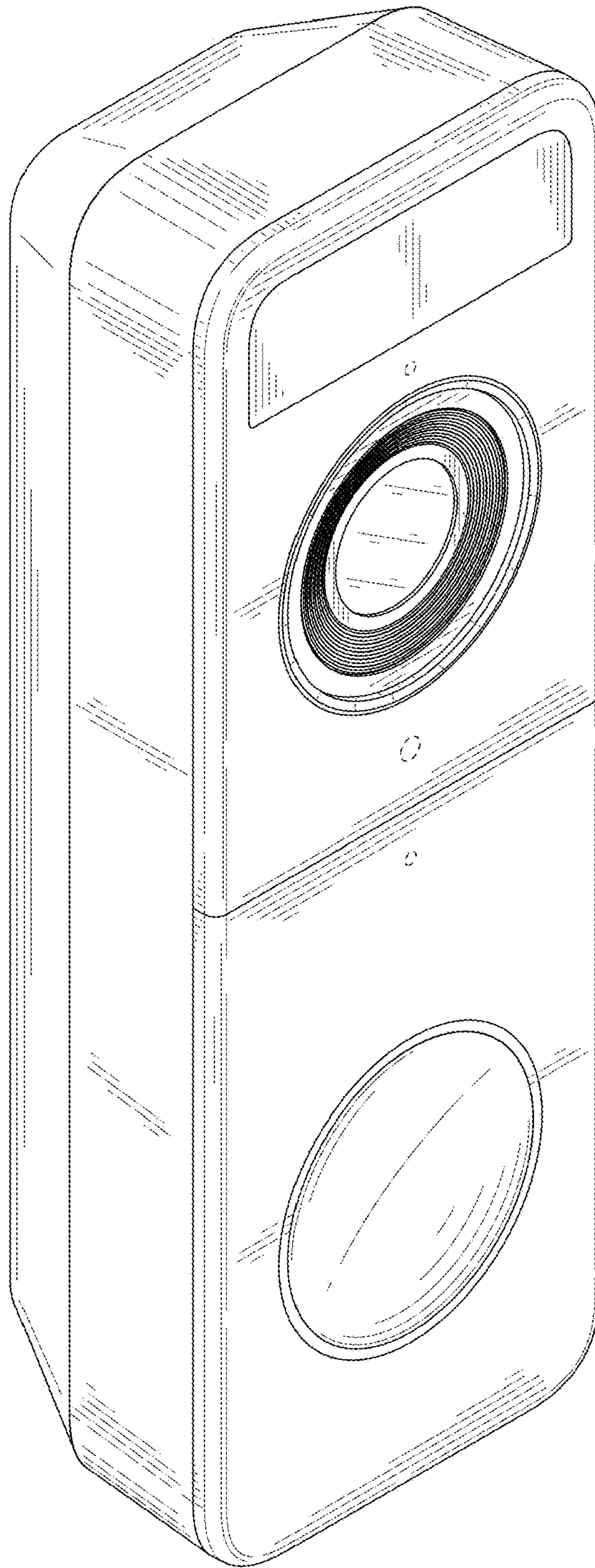


FIG. 1

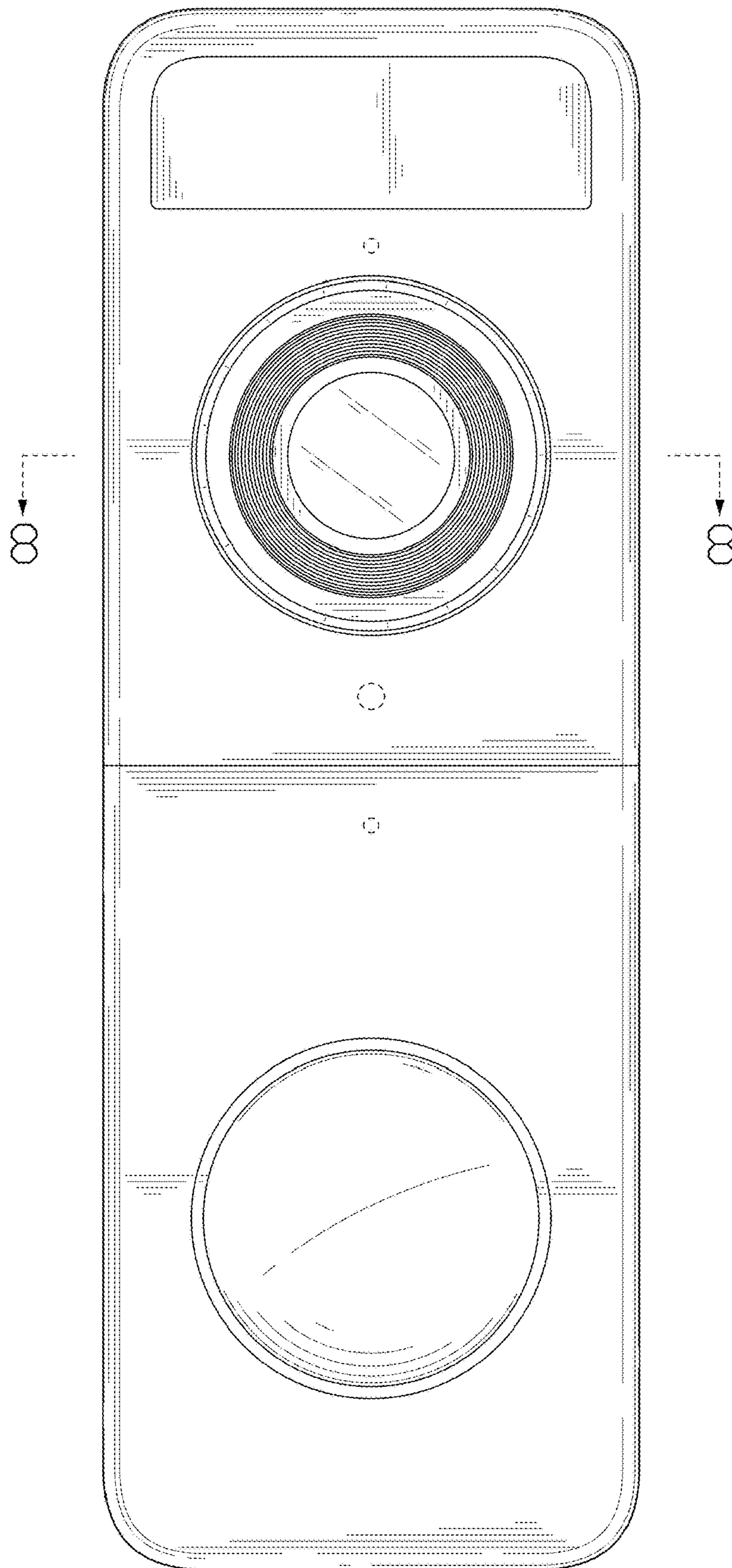


FIG. 2

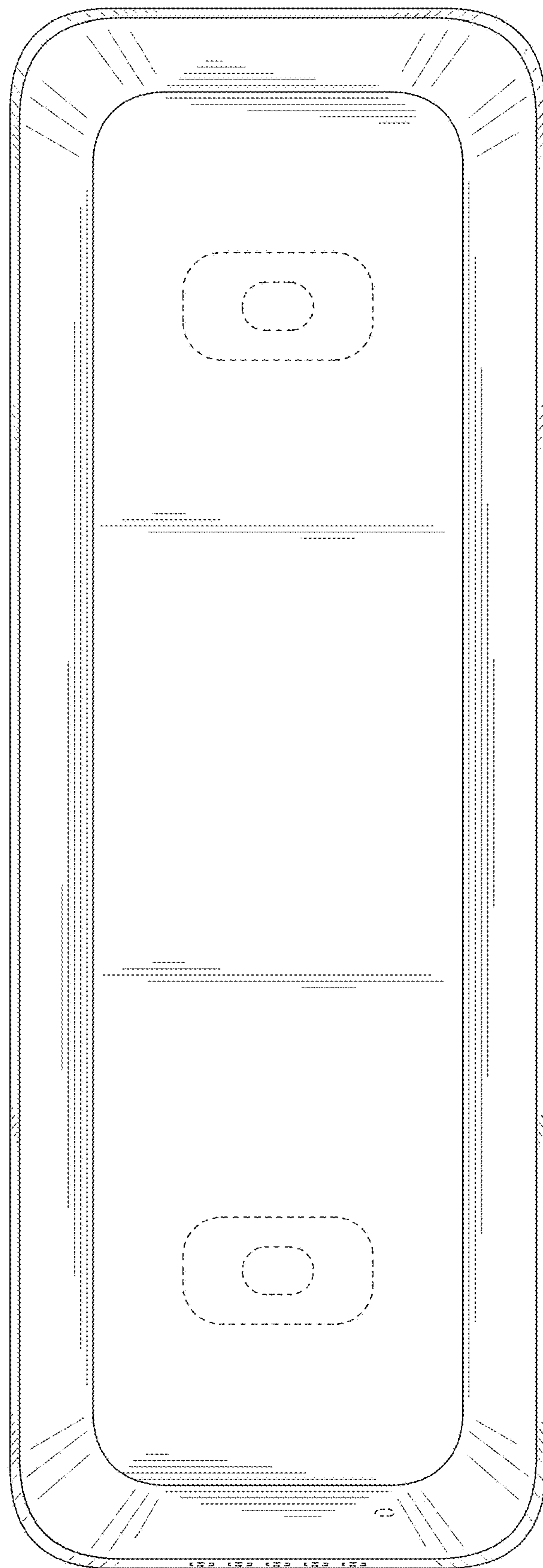


FIG. 3

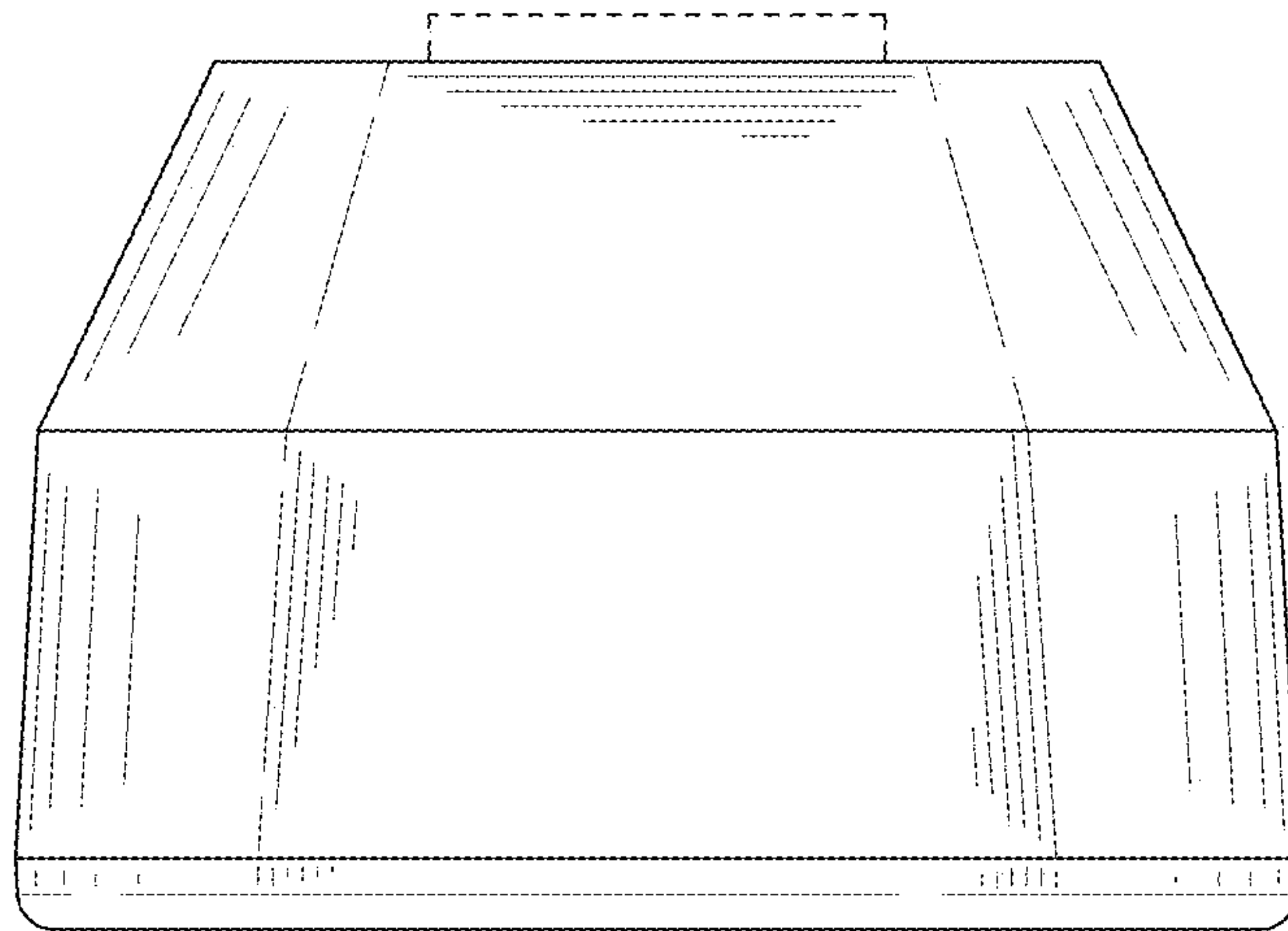


FIG. 4

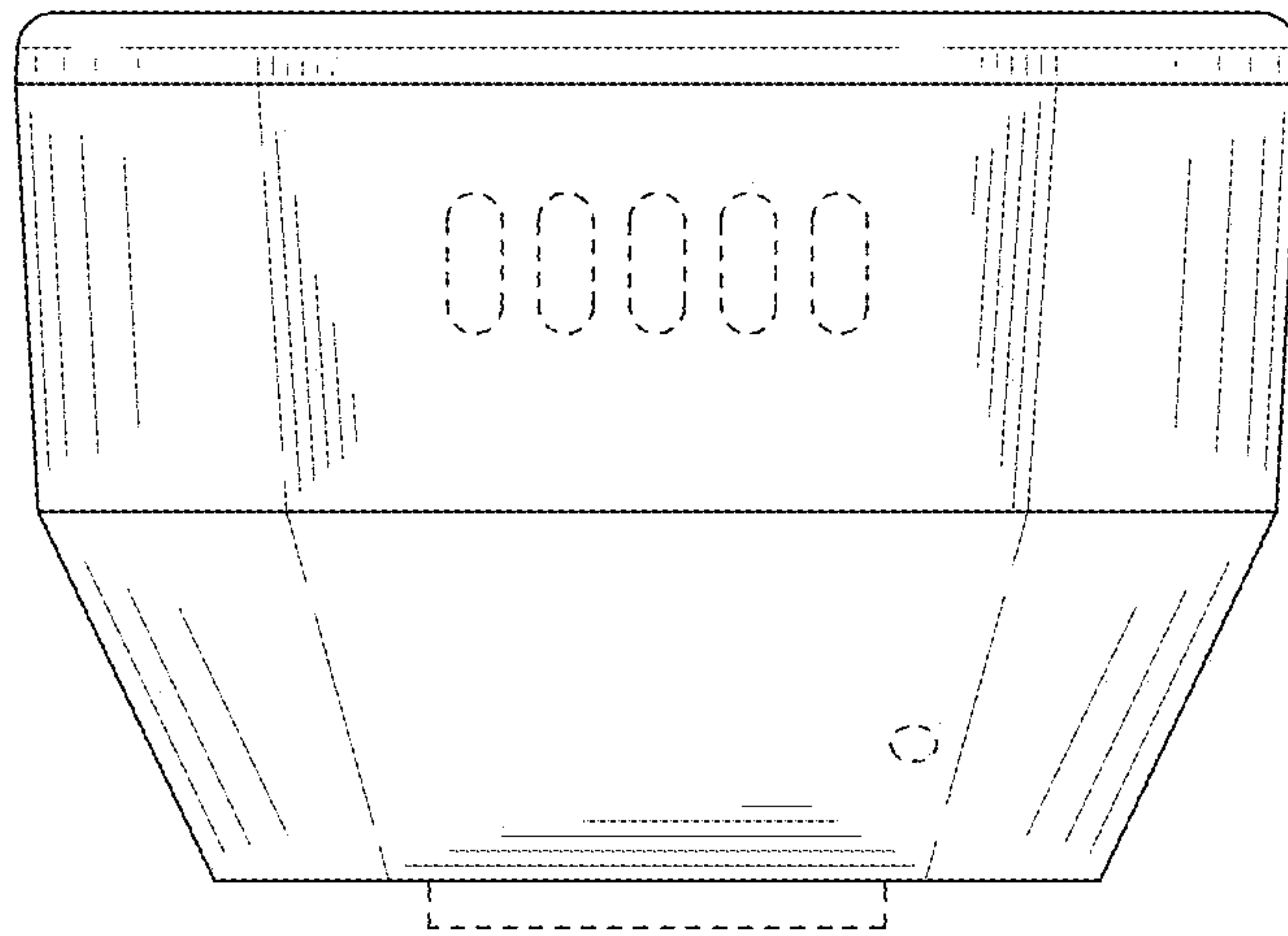


FIG. 5

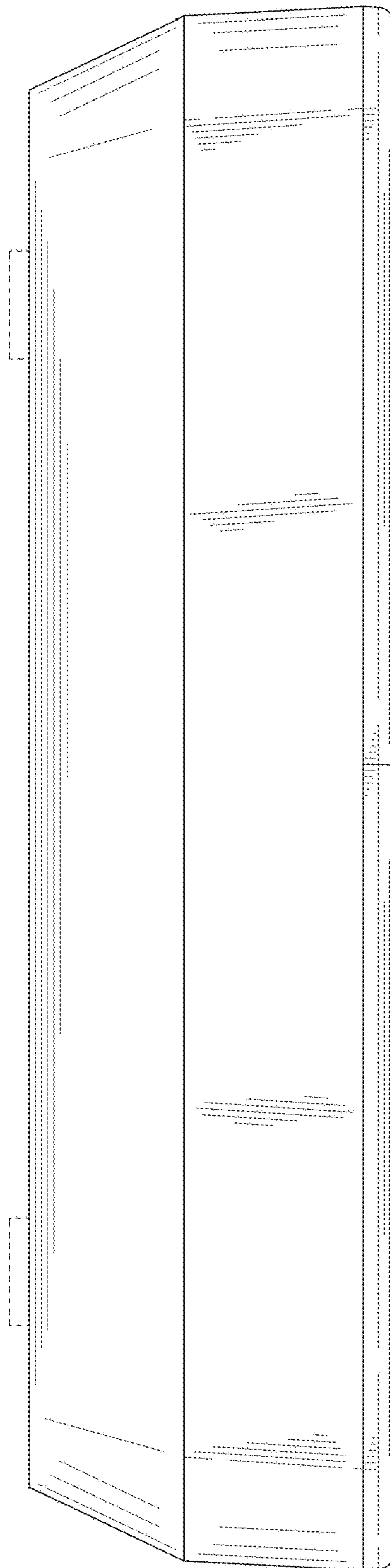


FIG. 6

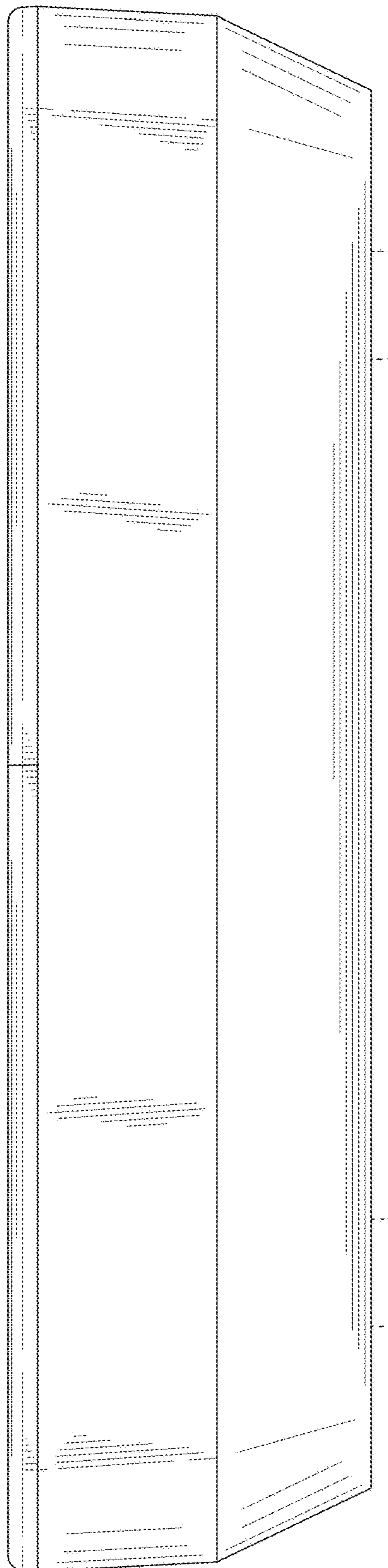


FIG. 7

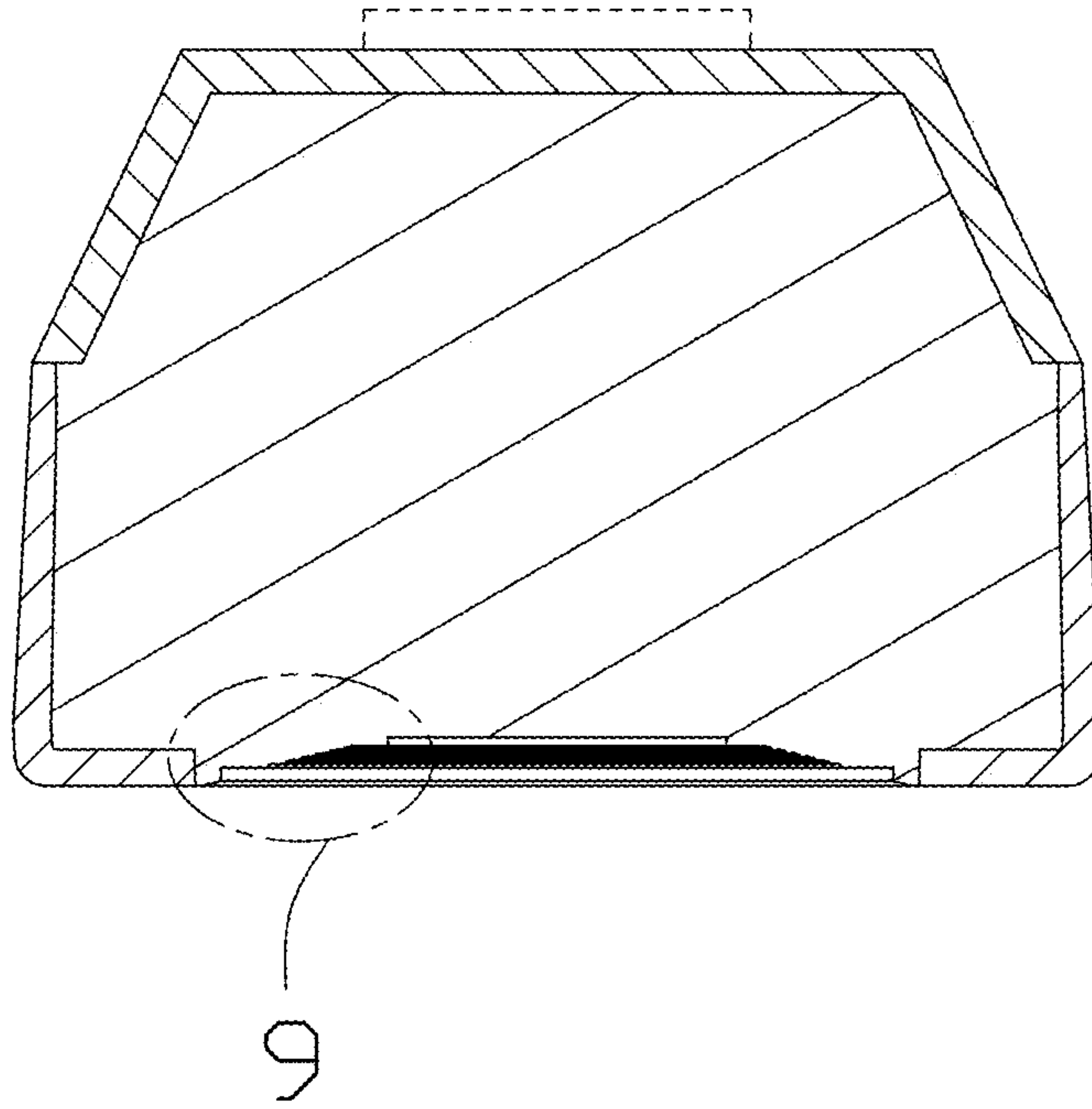


FIG. 8

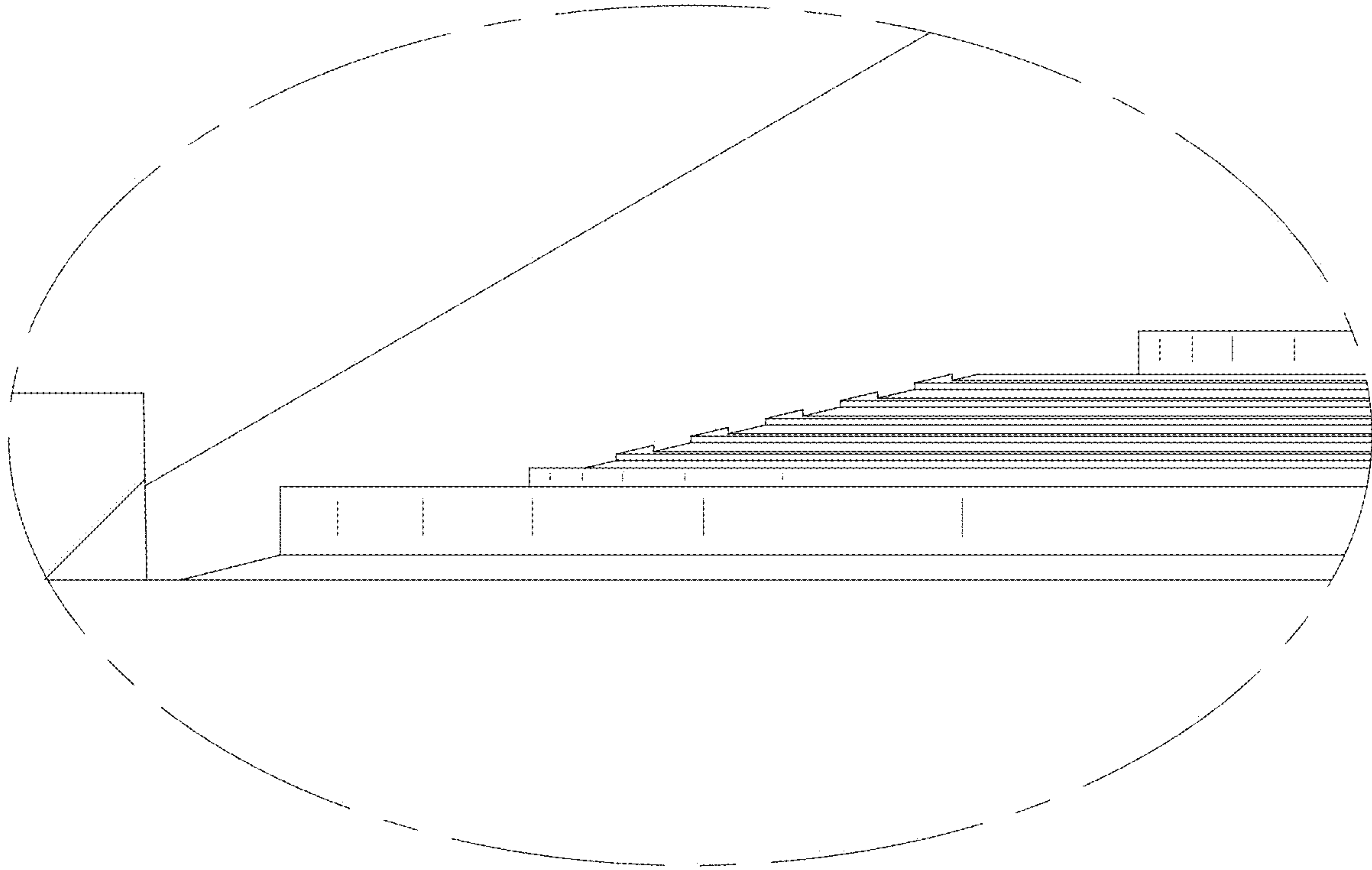


FIG. 9