



US00D966915S

(12) **United States Design Patent**  
**Chen**

(10) **Patent No.:** **US D966,915 S**

(45) **Date of Patent:** **\*\* Oct. 18, 2022**

(54) **WIRELESS DETECTOR**

(71) Applicant: **Jingmei Chen**, Shantou (CN)

(72) Inventor: **Jingmei Chen**, Shantou (CN)

(\*\*) Term: **15 Years**

(21) Appl. No.: **29/798,639**

(22) Filed: **Jul. 9, 2021**

(51) **LOC (13) Cl.** ..... **10-04**

(52) **U.S. Cl.**  
USPC ..... **D10/78**

(58) **Field of Classification Search**  
USPC ..... D10/78, 75, 104.1; D14/137  
See application file for complete search history.

(56) **References Cited**

**U.S. PATENT DOCUMENTS**

D568,354 S *	5/2008	Krause	.....	D16/135
D665,289 S	8/2012	Thalhammer		
D786,328 S *	5/2017	Schuss	.....	D16/135
D830,863 S *	10/2018	Dunford	.....	D10/78
D841,497 S *	2/2019	Blair	.....	D10/78
D854,953 S *	7/2019	Blair	.....	D10/78
D857,534 S *	8/2019	Dunford	.....	D10/78

D882,540 S *	4/2020	Giessel	.....	D14/137
D900,655 S *	11/2020	Rocholl Gullon	.....	D10/78
D904,211 S *	12/2020	Giessel	.....	D10/75
D915,233 S *	4/2021	Giessel	.....	D10/104.1
D922,230 S *	6/2021	Lan	.....	D10/104.1
D931,128 S *	9/2021	Li	.....	D10/78
D939,369 S *	12/2021	Lan	.....	D10/78
D942,287 S *	2/2022	Lan	.....	D10/78

\* cited by examiner

*Primary Examiner* — George D. Kirschbaum

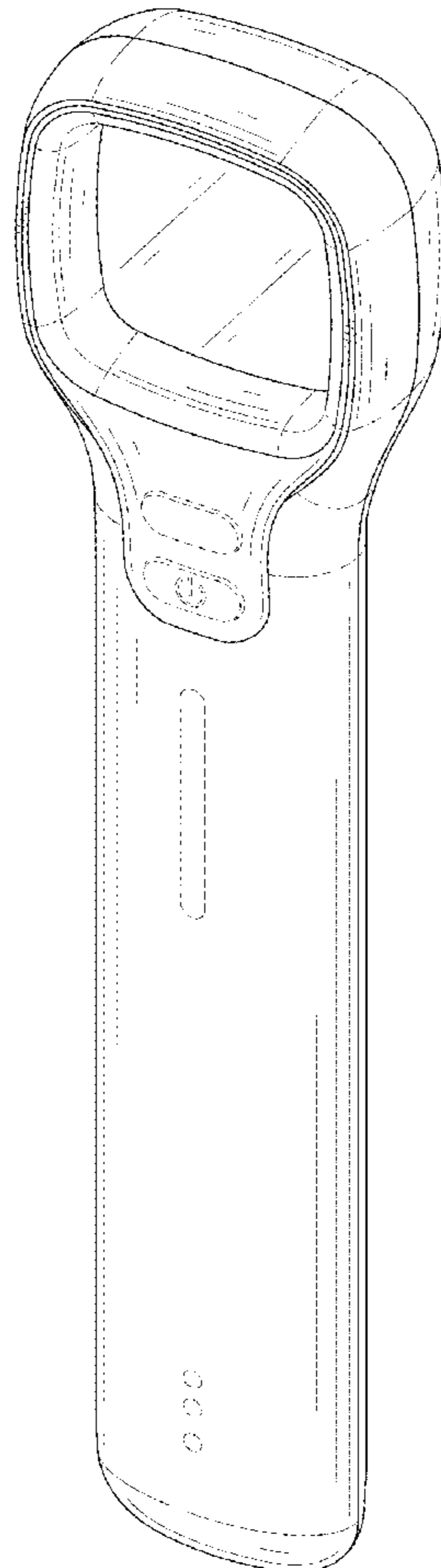
(57) **CLAIM**

The ornamental design for a wireless detector, as shown and described.

**DESCRIPTION**

FIG. 1 is a front and top perspective view of a wireless detector, showing my new design;  
 FIG. 2 is a rear and bottom perspective view thereof;  
 FIG. 3 is a front elevation view thereof;  
 FIG. 4 is a rear elevation view thereof;  
 FIG. 5 is a left side elevation view thereof;  
 FIG. 6 is a right side elevation view thereof;  
 FIG. 7 is a top plan view thereof; and,  
 FIG. 8 is a bottom plan view thereof.  
 The broken lines in the figures illustrate portions of the wireless detector that form no part of the claimed design.

**1 Claim, 8 Drawing Sheets**



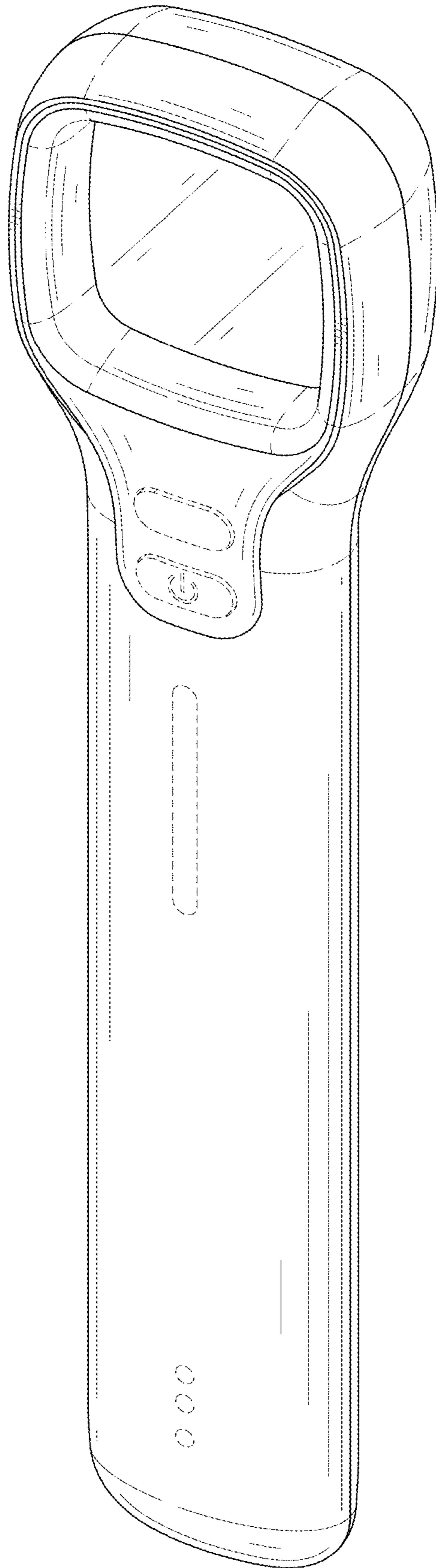


FIG. 1

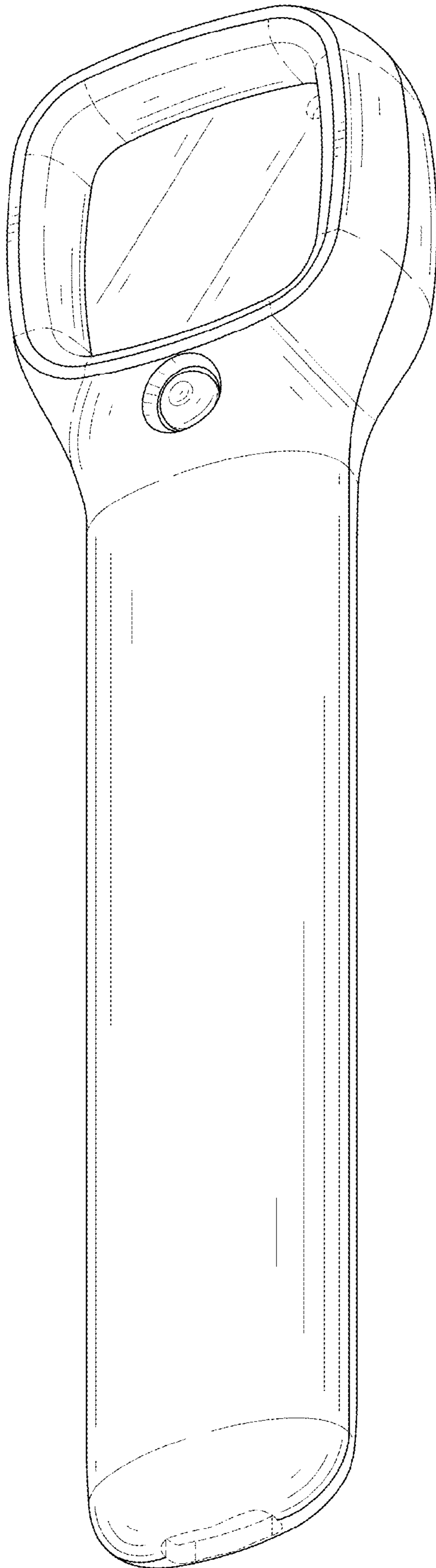


FIG. 2

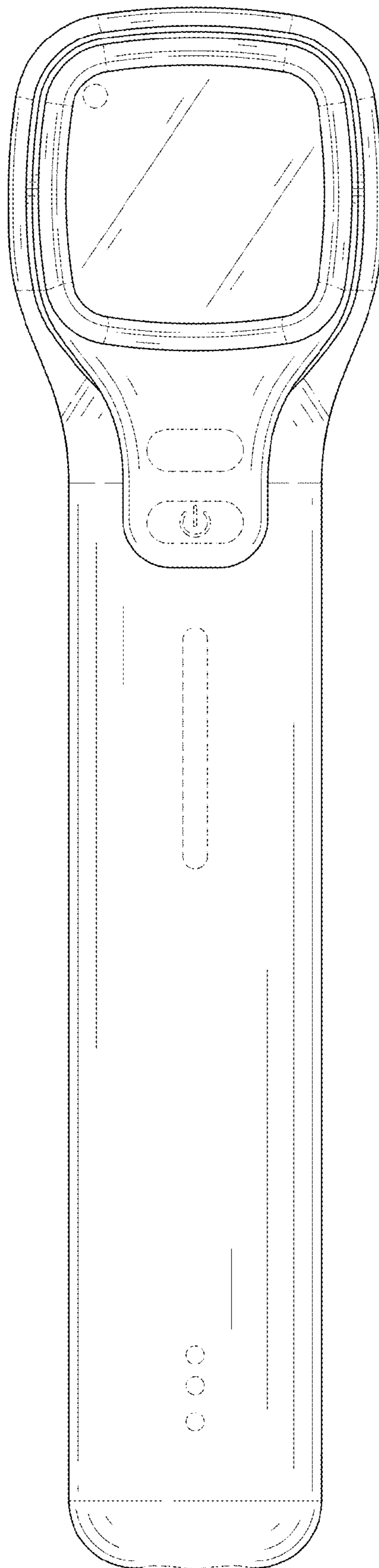


FIG. 3

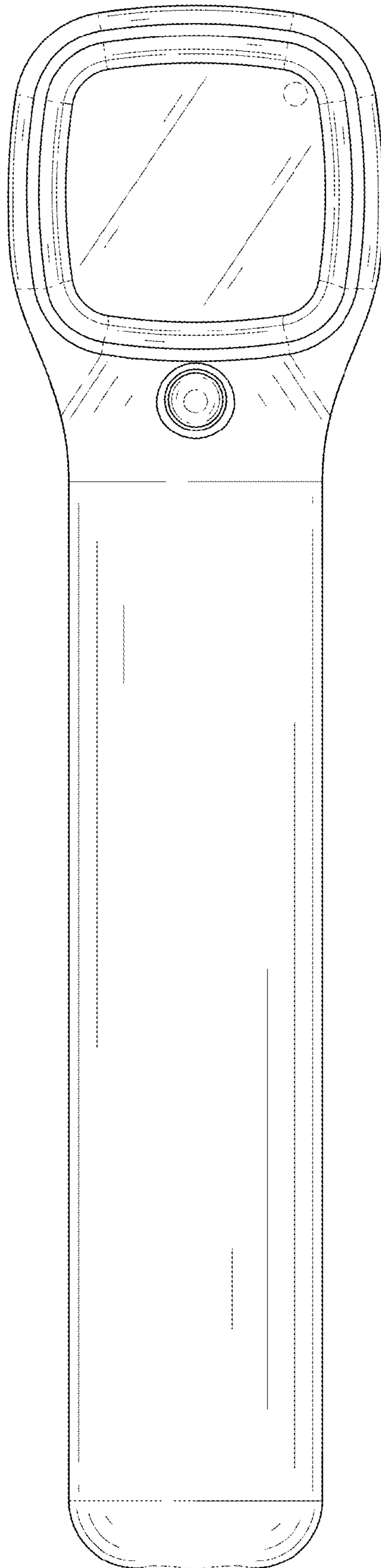


FIG. 4

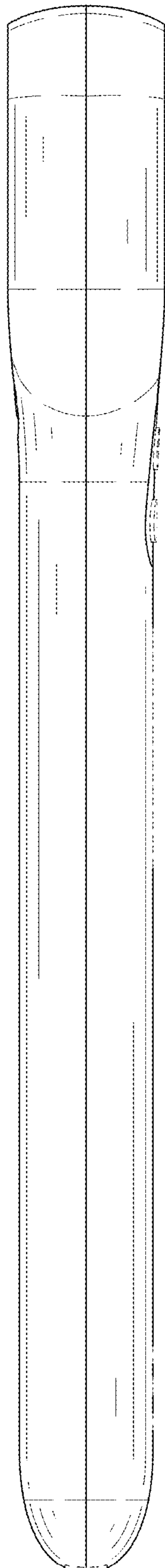


FIG. 5

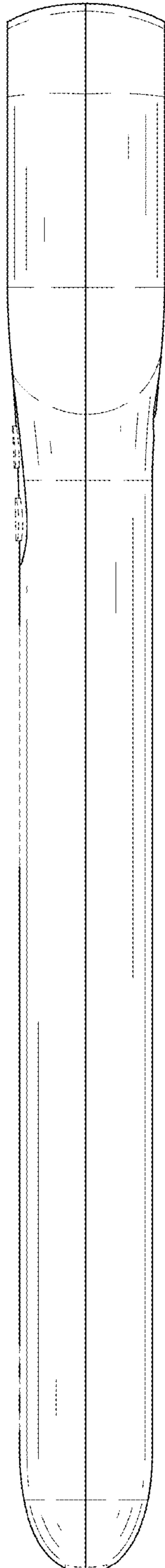


FIG. 6

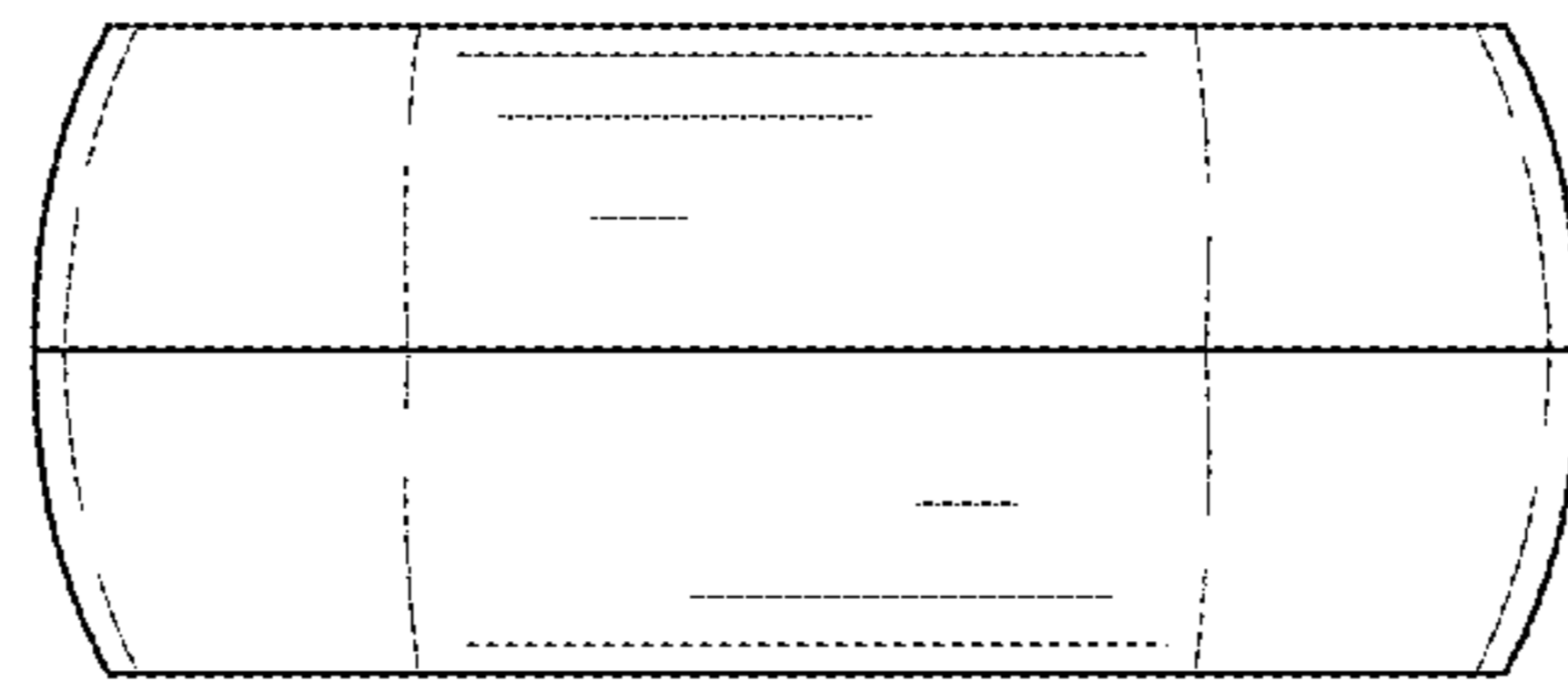


FIG. 7



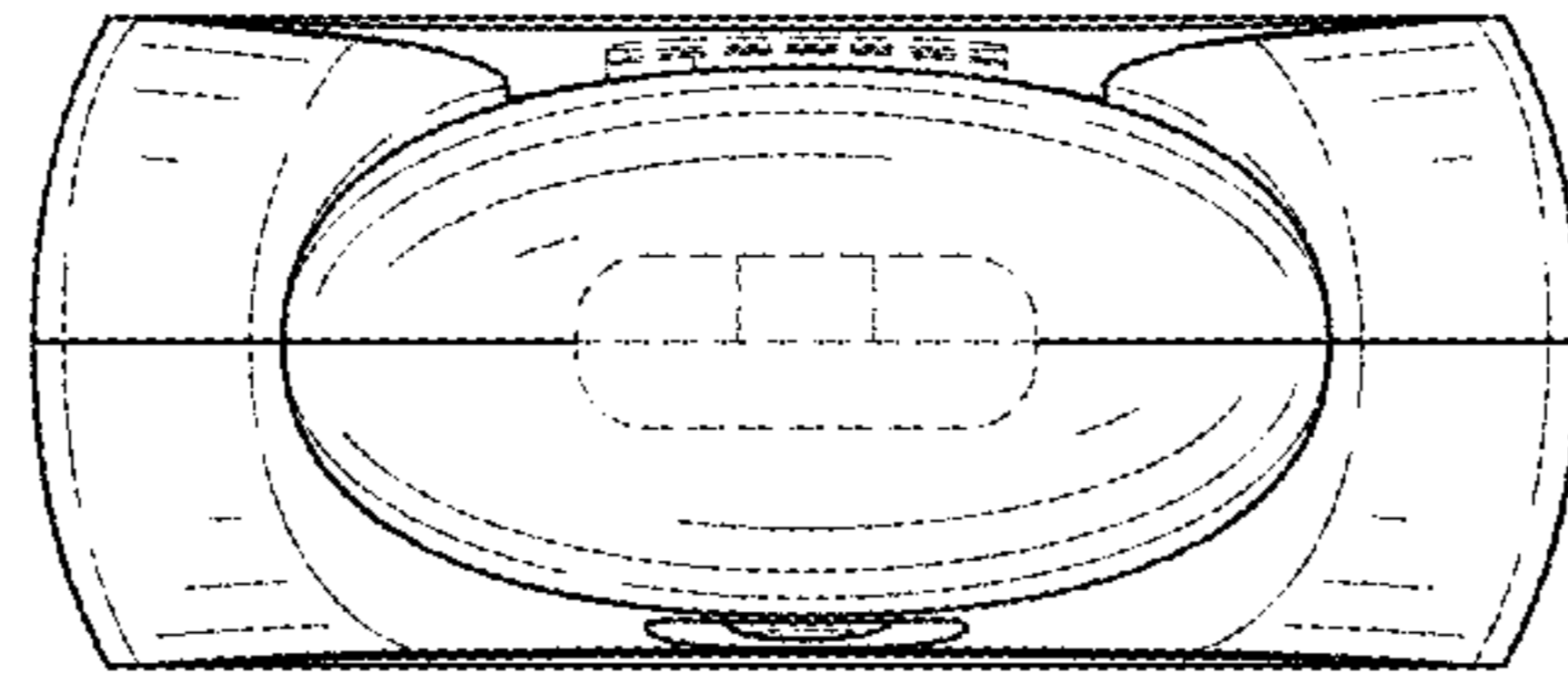


FIG. 8