



US00D966911S

(12) **United States Design Patent**
Zhan

(10) **Patent No.:** **US D966,911 S**
(45) **Date of Patent:** **** Oct. 18, 2022**

(54) **COMPASS WITH RULER**

FOREIGN PATENT DOCUMENTS

(71) Applicant: **Jinhua Wanfeng Tools Factory,**
Zhejiang (CN)

JP 08108690 A * 4/1996

(72) Inventor: **Hui Zhan,** Zhejiang (CN)

OTHER PUBLICATIONS

(73) Assignee: **Jinhua Wanfeng Tools Factory,**
Zhejiang (CN)

Instructables Workshop. <https://www.instructables.com/Ruler-Compass/>. "Ruler Compass". Apr. 2021 (Year: 2021).*

(Continued)

(**) Term: **15 Years**

Primary Examiner — R. Johnson

(21) Appl. No.: **29/804,526**

(74) *Attorney, Agent, or Firm* — ScienBiziP, P.C.

(22) Filed: **Aug. 20, 2021**

(57) **CLAIM**

The ornamental design for a compass with ruler, as shown and described.

(30) **Foreign Application Priority Data**

DESCRIPTION

Aug. 11, 2021 (CN) 202130518543.3

(51) **LOC (13) Cl.** **10-04**

(52) **U.S. Cl.**
USPC **D10/68**

(58) **Field of Classification Search**
USPC D10/62, 65, 71, 68
CPC G01B 3/02; G01B 3/04; B43L 13/145
See application file for complete search history.

FIG. 1 is a front, right, and top perspective view of a compass with ruler, showing my design.
FIG. 2 is a rear, left, and bottom perspective view thereof.
FIG. 3 is a front elevation view thereof.
FIG. 4 is a rear elevation view thereof.
FIG. 5 is a left side elevation view thereof.
FIG. 6 is a right side elevation view thereof.
FIG. 7 is a top plan view thereof.
FIG. 8 is a bottom plan view thereof.
FIG. 9 is a partial, enlarged view of the portion taken at line-9 in FIG. 1; showing at least one tooth of a front groove.
FIG. 10 is a partial, enlarged view of the portion taken at line-10 in FIG. 1; showing a storage slot.
FIG. 11 is a partial, enlarged view of the portion taken at line-11 in FIG. 1; showing the lower right corner of the article; and,
FIG. 12 is a front, right, and top perspective view, showing the lid of the article in an open condition.
The broken lines shown in the drawings are included for the purpose of illustrating portions of the compass with ruler that form no part of the claimed design.

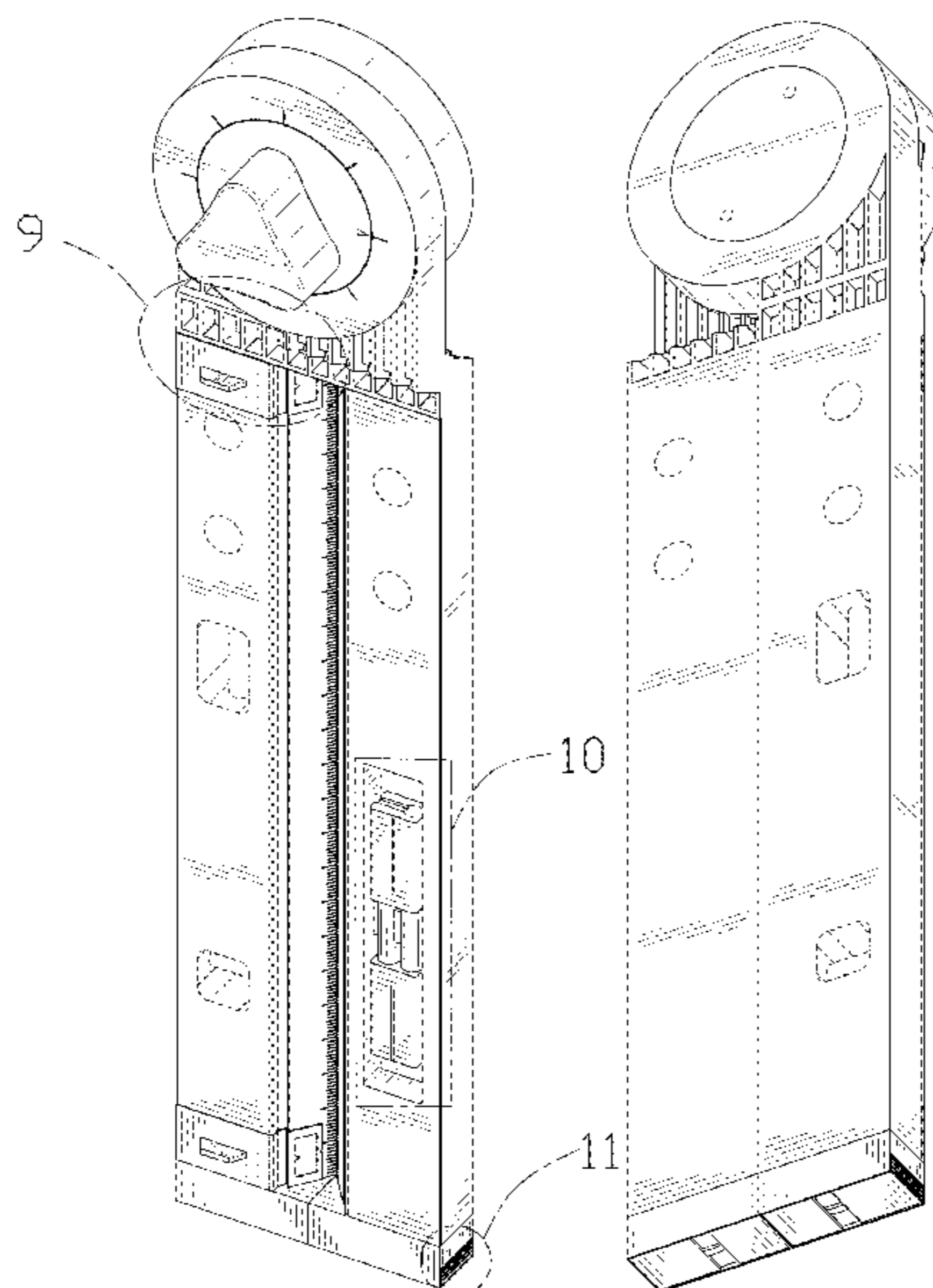
(56) **References Cited**

U.S. PATENT DOCUMENTS

D194,242 S *	12/1962	Robbins	D10/73
D248,864 S *	8/1978	Yen	D10/62
D252,615 S *	8/1979	Lopez	D10/65
D298,806 S *	12/1988	Tandy	D10/65
5,040,307 A *	8/1991	Dotson	A63B 71/0672 33/483
D345,309 S *	3/1994	Goldstein	D10/65
D378,359 S *	3/1997	Stoneberg	D10/64
D411,959 S *	7/1999	Chan	D10/65
D426,851 S *	6/2000	Carroll	D10/62

(Continued)

1 Claim, 12 Drawing Sheets



(56)

References Cited

U.S. PATENT DOCUMENTS

D610,477 S * 2/2010 Li D10/70
D636,281 S * 4/2011 Henderson D10/68
D857,532 S 8/2019 Hirayama
D913,820 S 3/2021 Vilsaint

OTHER PUBLICATIONS

Amazon.com. https://www.amazon.com/hand2mind-GeoTool-Compass-Set-10/dp/B01N0Z683C/ref=sr_1_14?crd=FCP61O3G7PC4&keywords=ruler+compass&qid=1659199327&srefix=ruler+compass%2Caps%2C112&sr=8-14. "Hand2mind Safe-T Math Geotool Compass". Jan. 2017 (Year: 2017).*

* cited by examiner

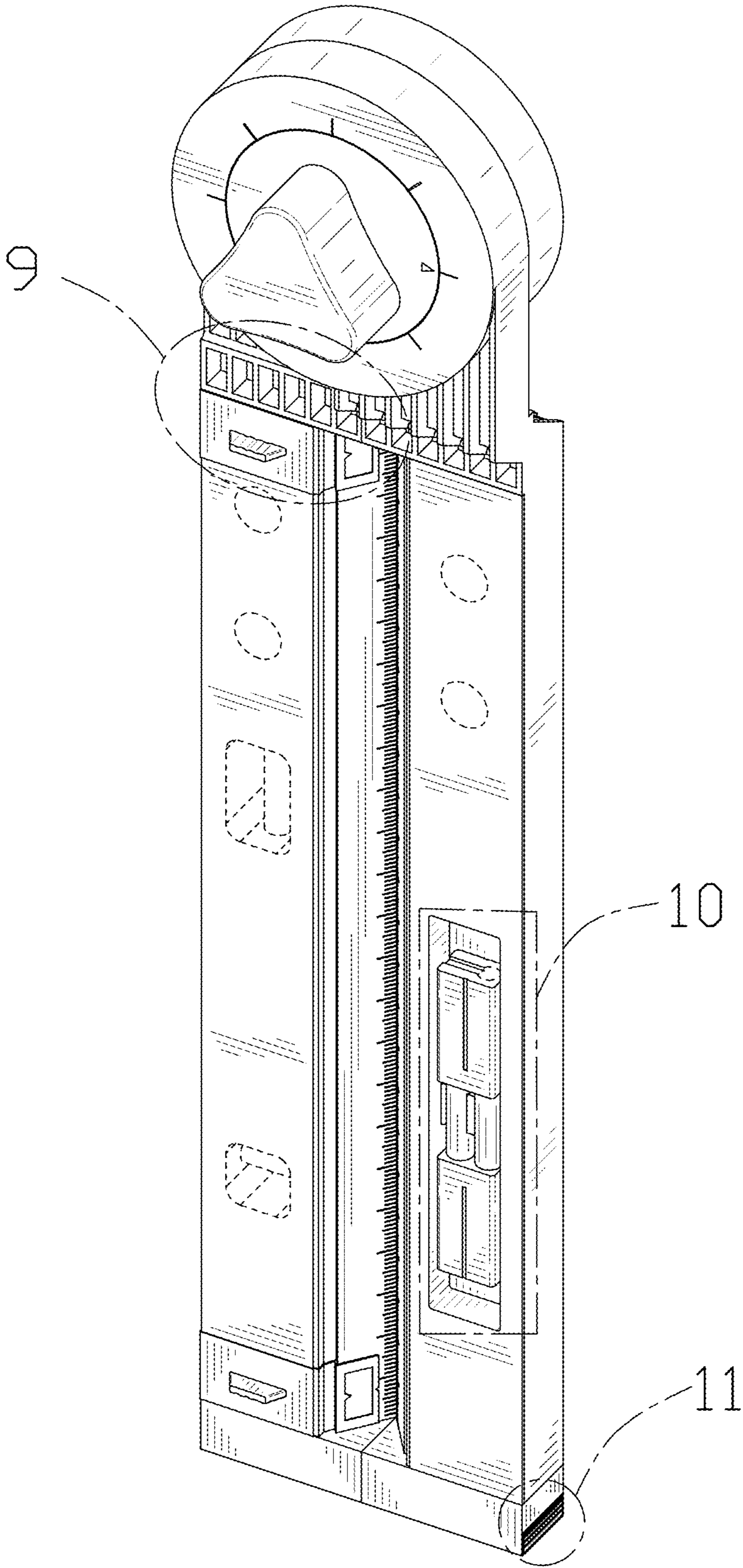


FIG. 1

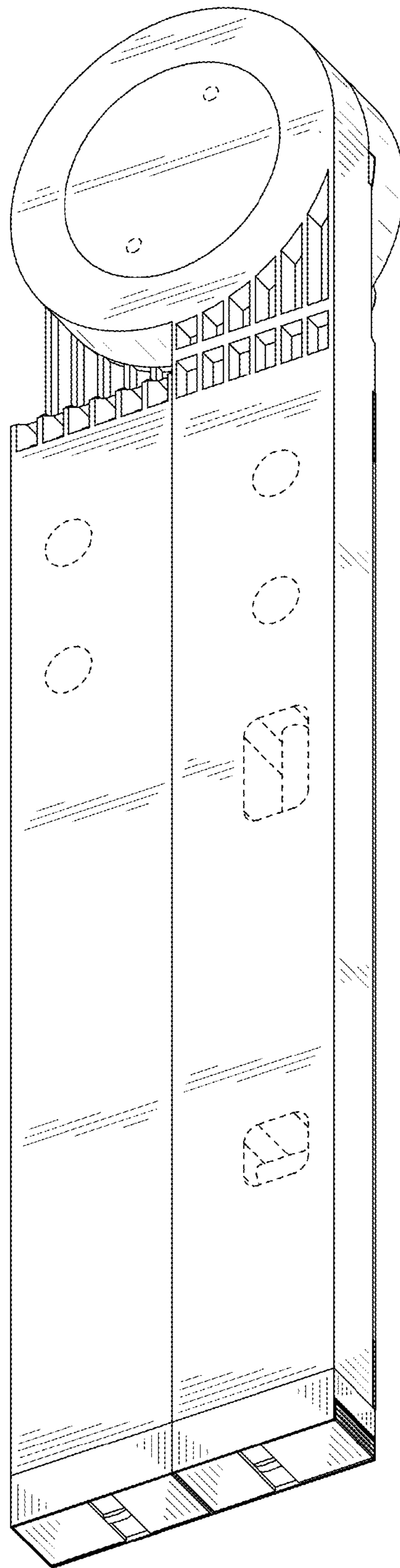


FIG. 2

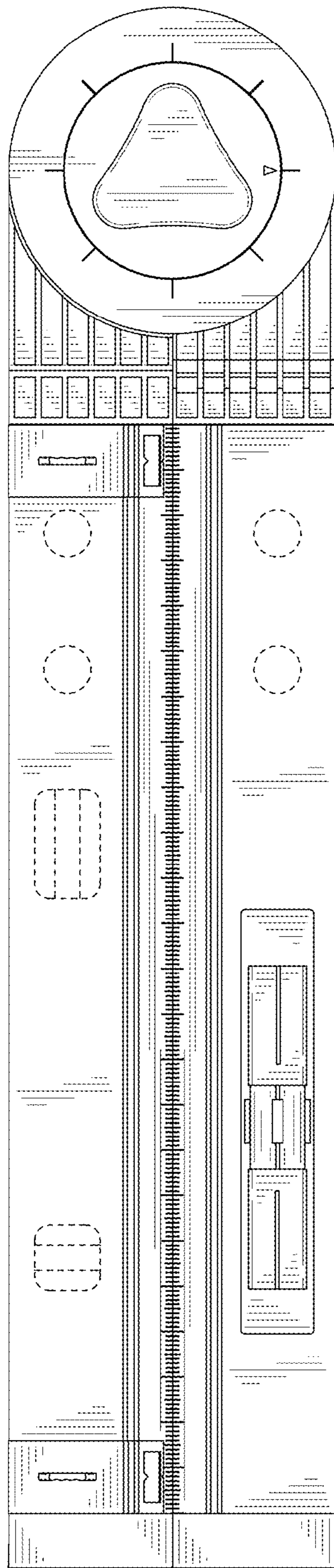


FIG. 3

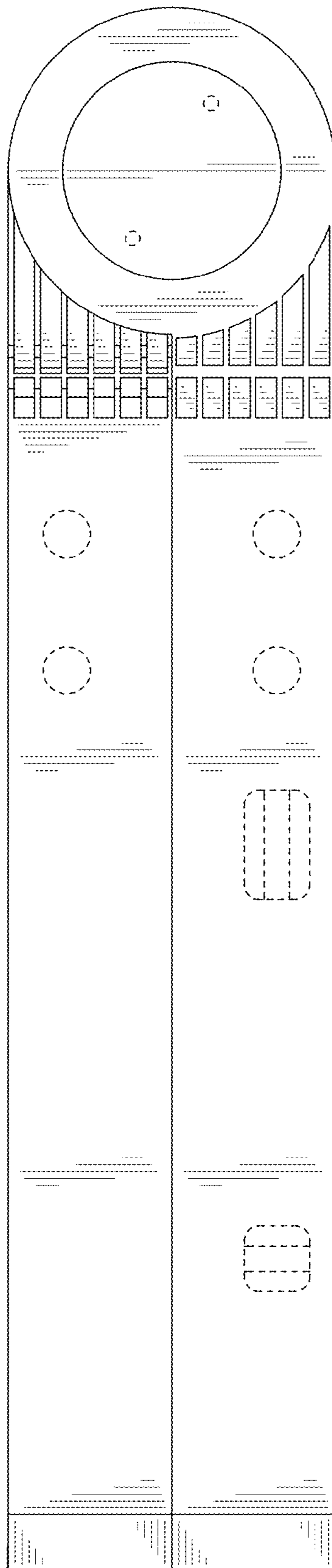


FIG. 4

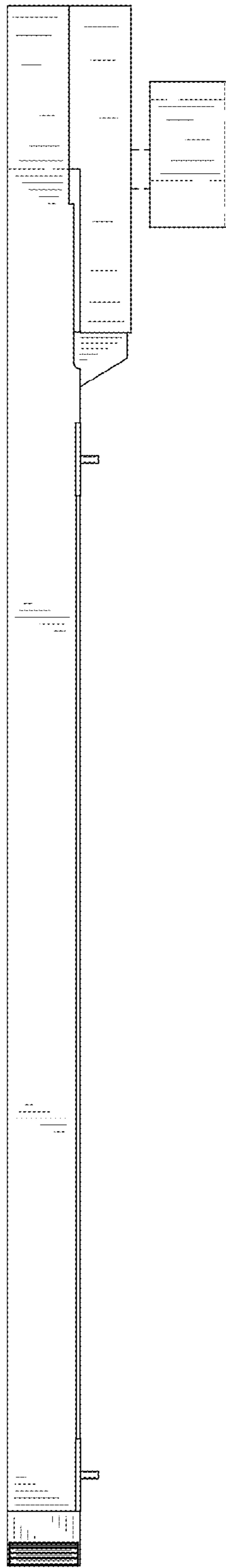


FIG. 5

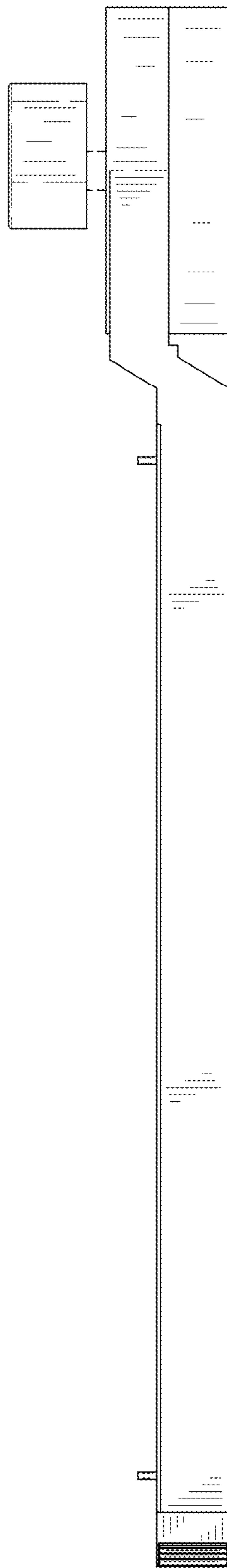


FIG. 6

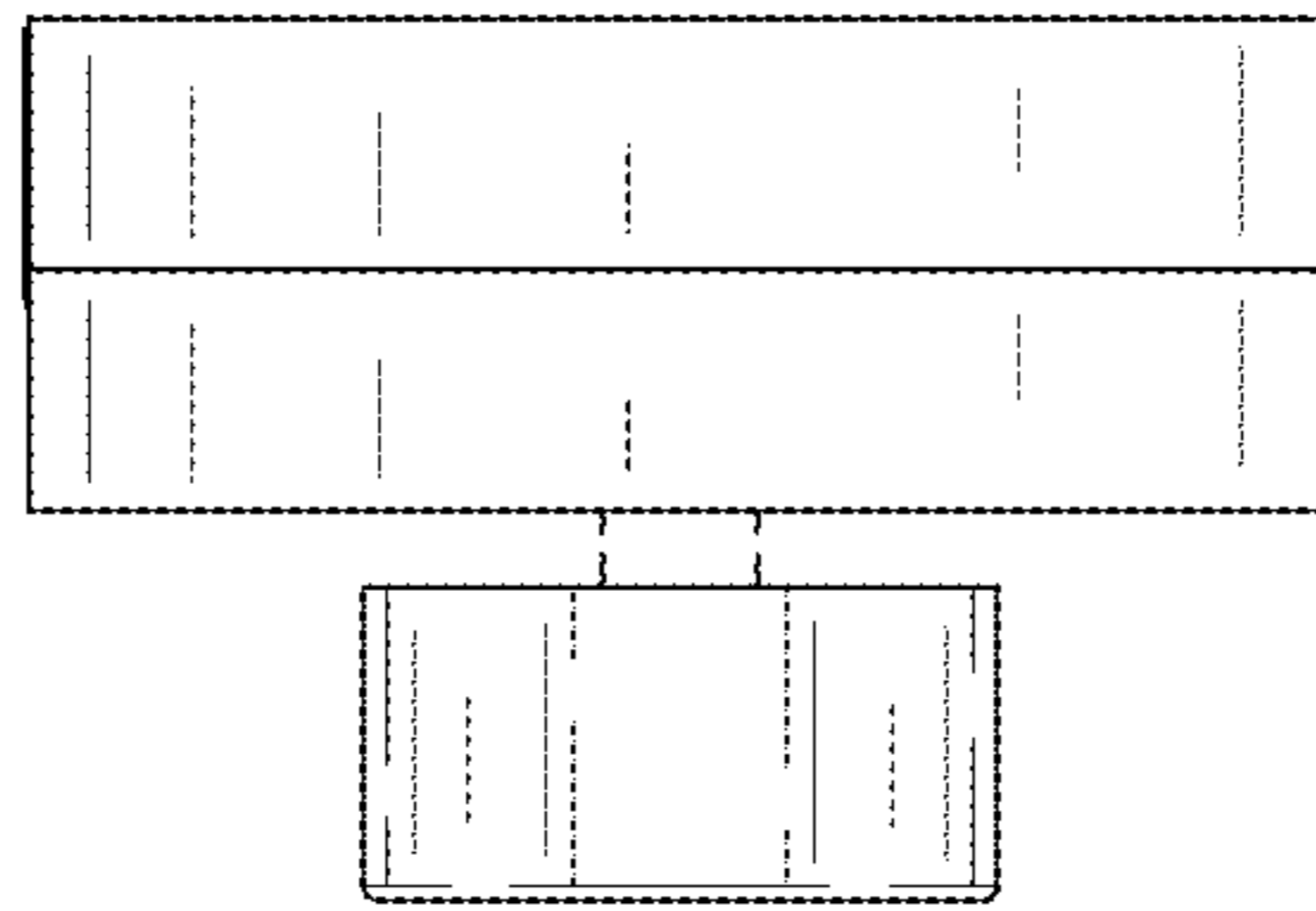


FIG. 7

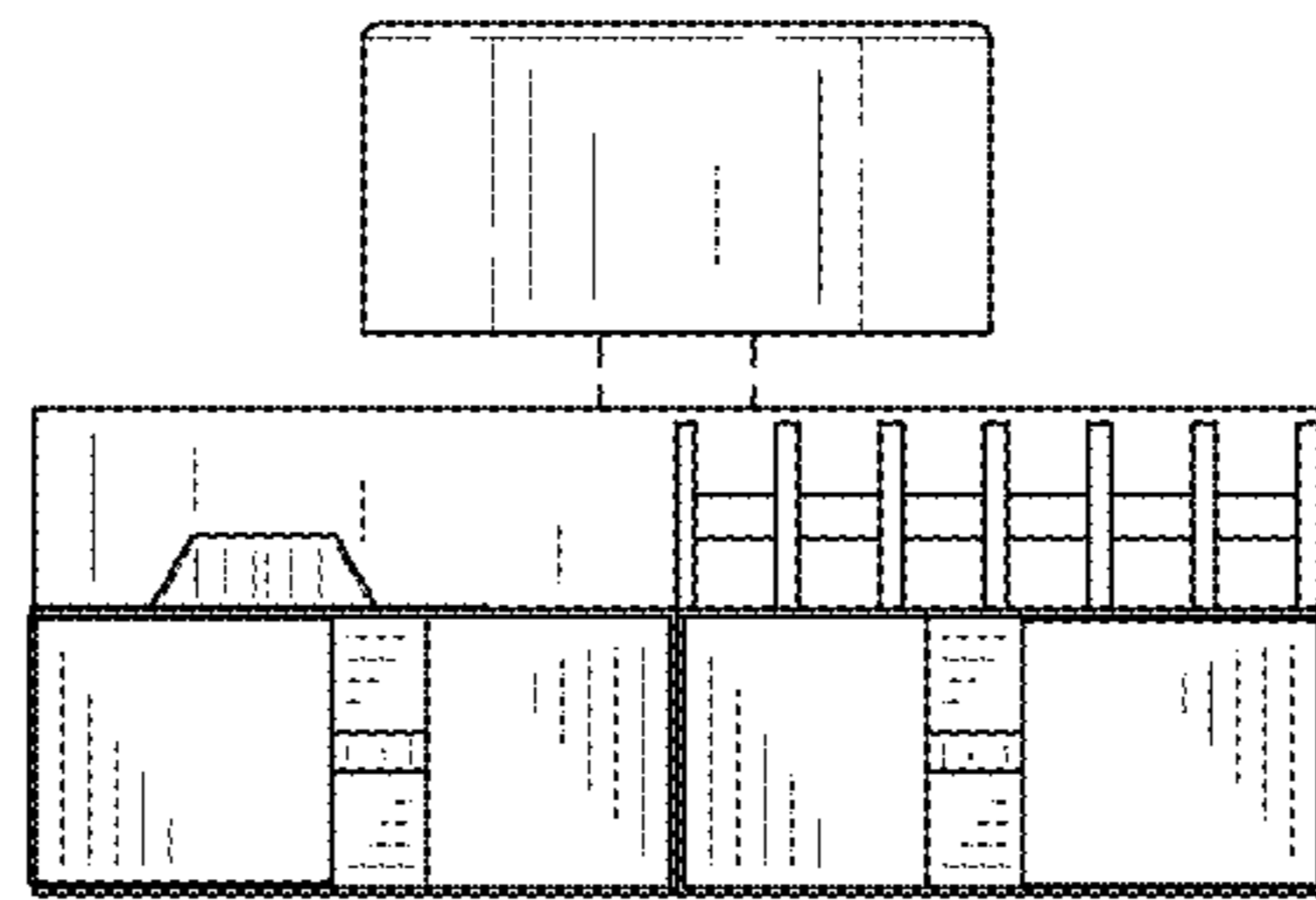


FIG. 8

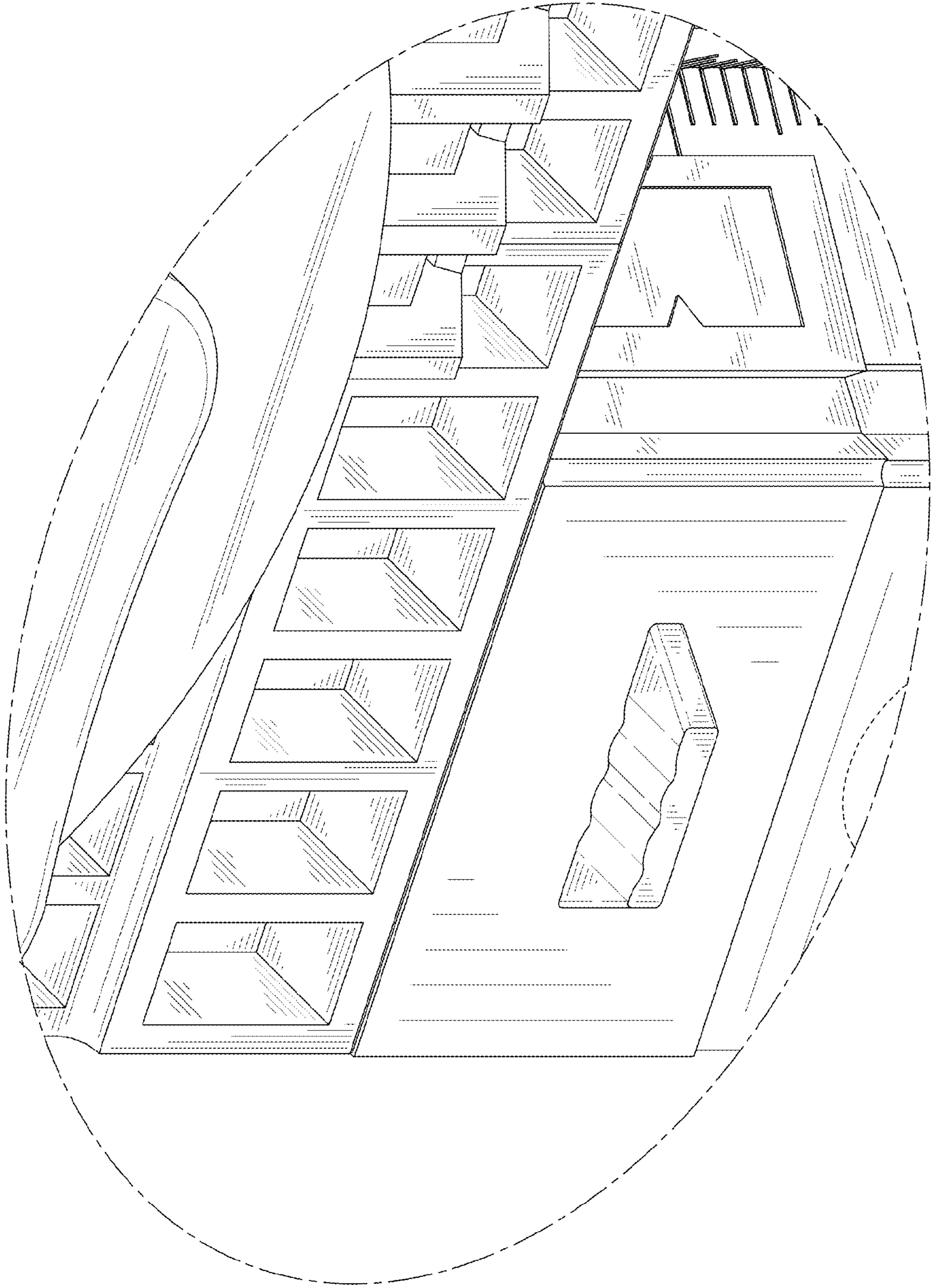


FIG. 9

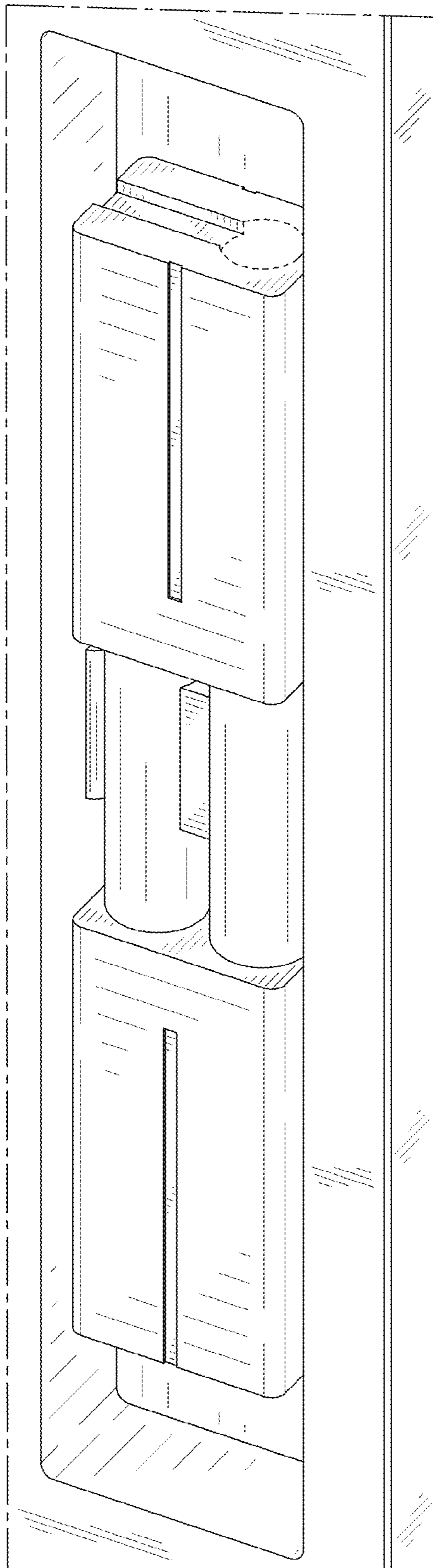


FIG. 10

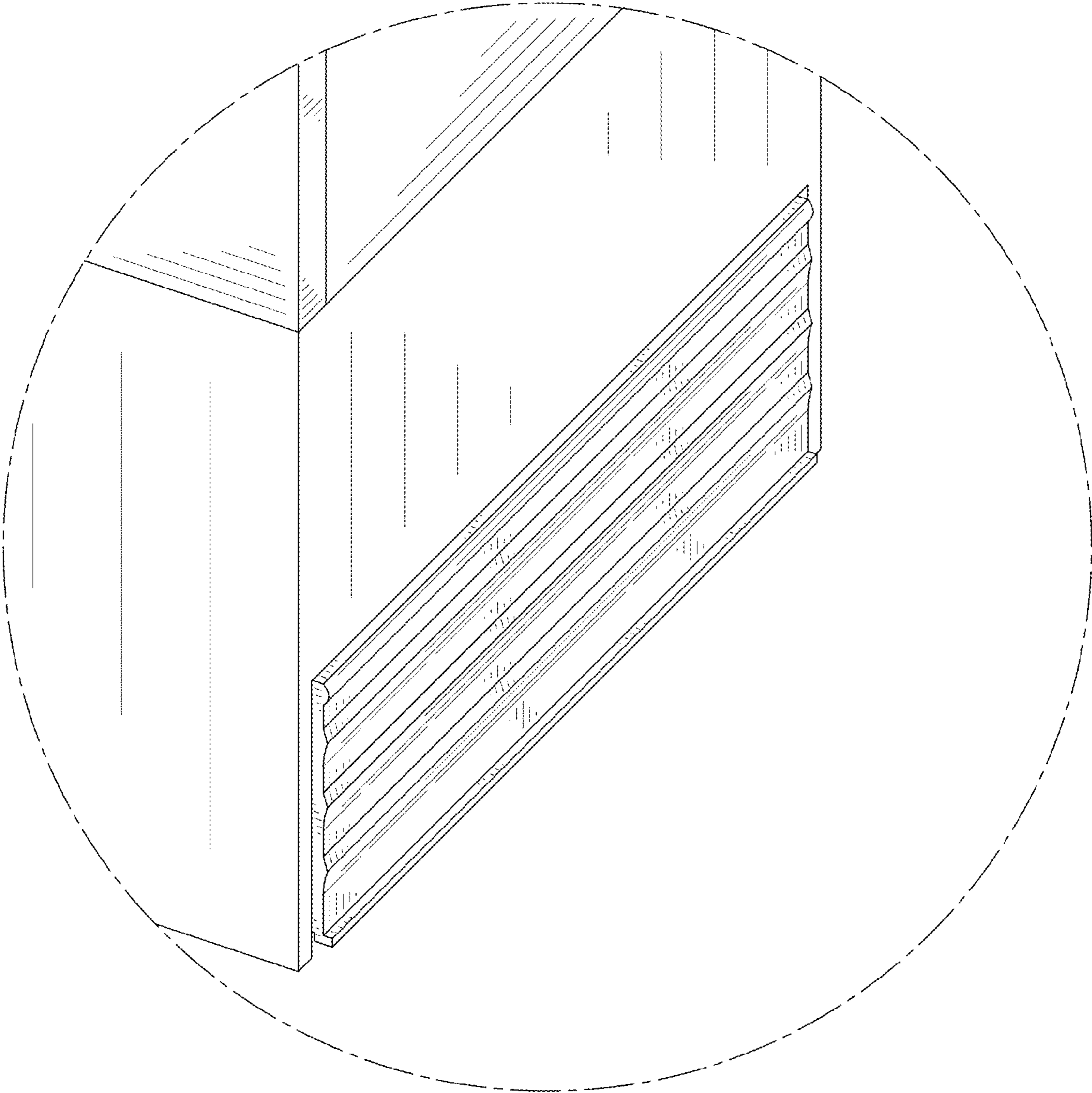


FIG. 11

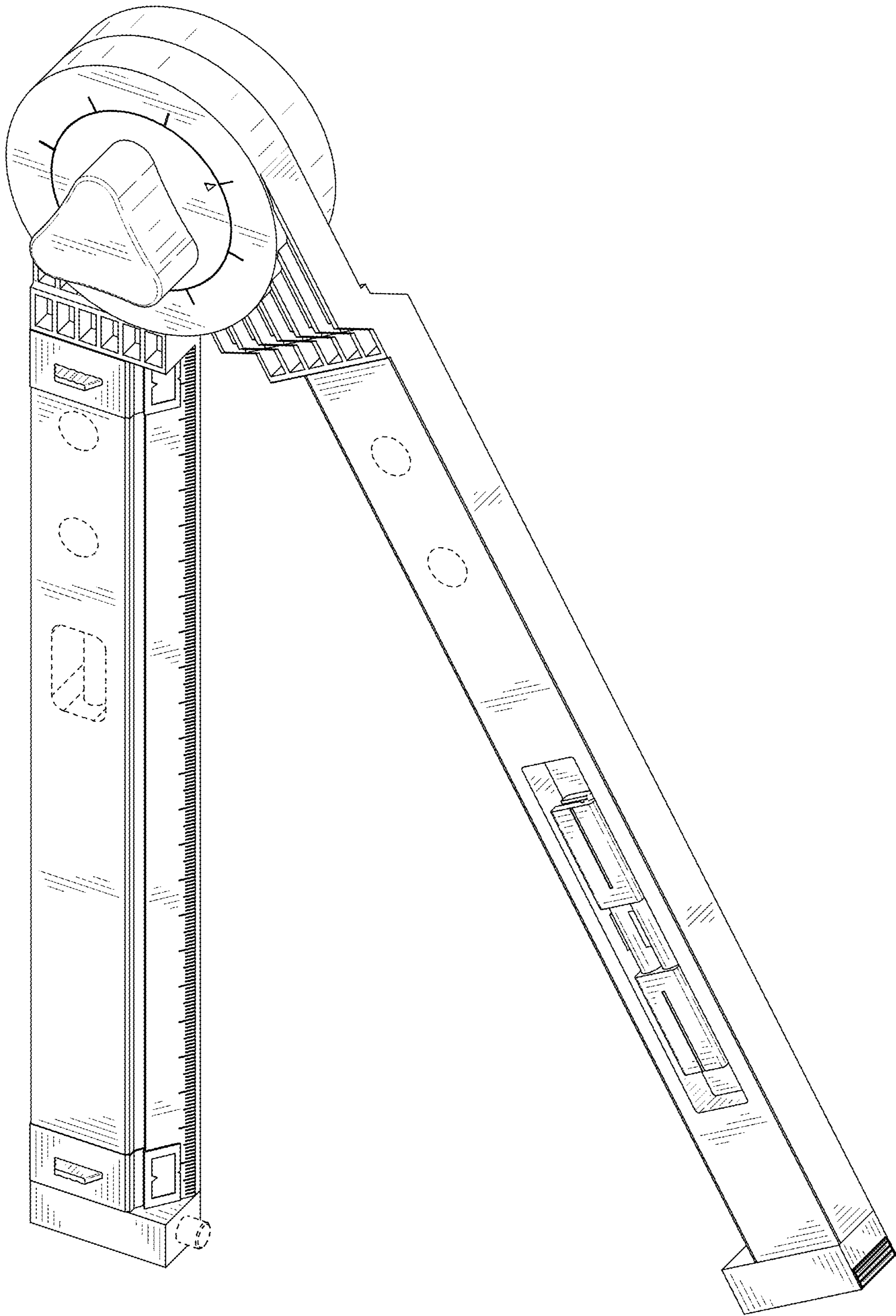


FIG. 12