



US00D966910S

(12) **United States Design Patent**
Peschel

(10) **Patent No.:** **US D966,910 S**

(45) **Date of Patent:** **** Oct. 18, 2022**

(54) **CONTROLLER FOR VALVES**

(71) Applicant: **Festo SE & Co. KG**, Esslingen (DE)

(72) Inventor: **Jörg Peschel**, Esslingen (DE)

(73) Assignee: **Festo SE & Co. KG**, Esslingen (DE)

(**) Term: **15 Years**

(21) Appl. No.: **29/761,979**

(22) Filed: **Dec. 14, 2020**

(30) **Foreign Application Priority Data**

Nov. 18, 2020 (WO) WIPO99573

(51) **LOC (13) Cl.** **10-04**

(52) **U.S. Cl.**
USPC **D10/49; D23/233**

(58) **Field of Classification Search**

USPC D10/49; D23/233–248
CPC F16K 25/00; F16K 25/005; F16K 25/02;
F16K 25/04; F16K 27/00; F16K 27/003;
F16K 27/006; F16K 27/02; F16K
27/0209; F16K 27/0218; F16K 27/0227;
F16K 27/0236; F16K 27/0245; F16K
27/0254; F16K 27/0263; F16K 27/0272;
F16K 27/028; F16L 55/07

See application file for complete search history.

(56) **References Cited**

U.S. PATENT DOCUMENTS

4,479,512 A * 10/1984 Ohrendorf F16K 11/078
137/625.68
D604,396 S * 11/2009 Schmidt D23/233

D607,973 S * 1/2010 Schmidt D23/233
D701,943 S 4/2014 Gaertner
D777,586 S 1/2017 Mangold
D778,179 S 2/2017 Mangold
D778,180 S 2/2017 Mangold
D854,124 S 7/2019 Mangold et al.
D859,595 S 9/2019 Mangold et al.
D861,131 S 9/2019 Mangold et al.

OTHER PUBLICATIONS

Product Information “System 8802 Continuous Classic” of Christian Bürkert GmbH & Co. KG, www.burkert.com, 9 pages.

* cited by examiner

Primary Examiner — Antoine D Davis

(74) *Attorney, Agent, or Firm* — Hoffmann & Baron, LLP

(57) **CLAIM**

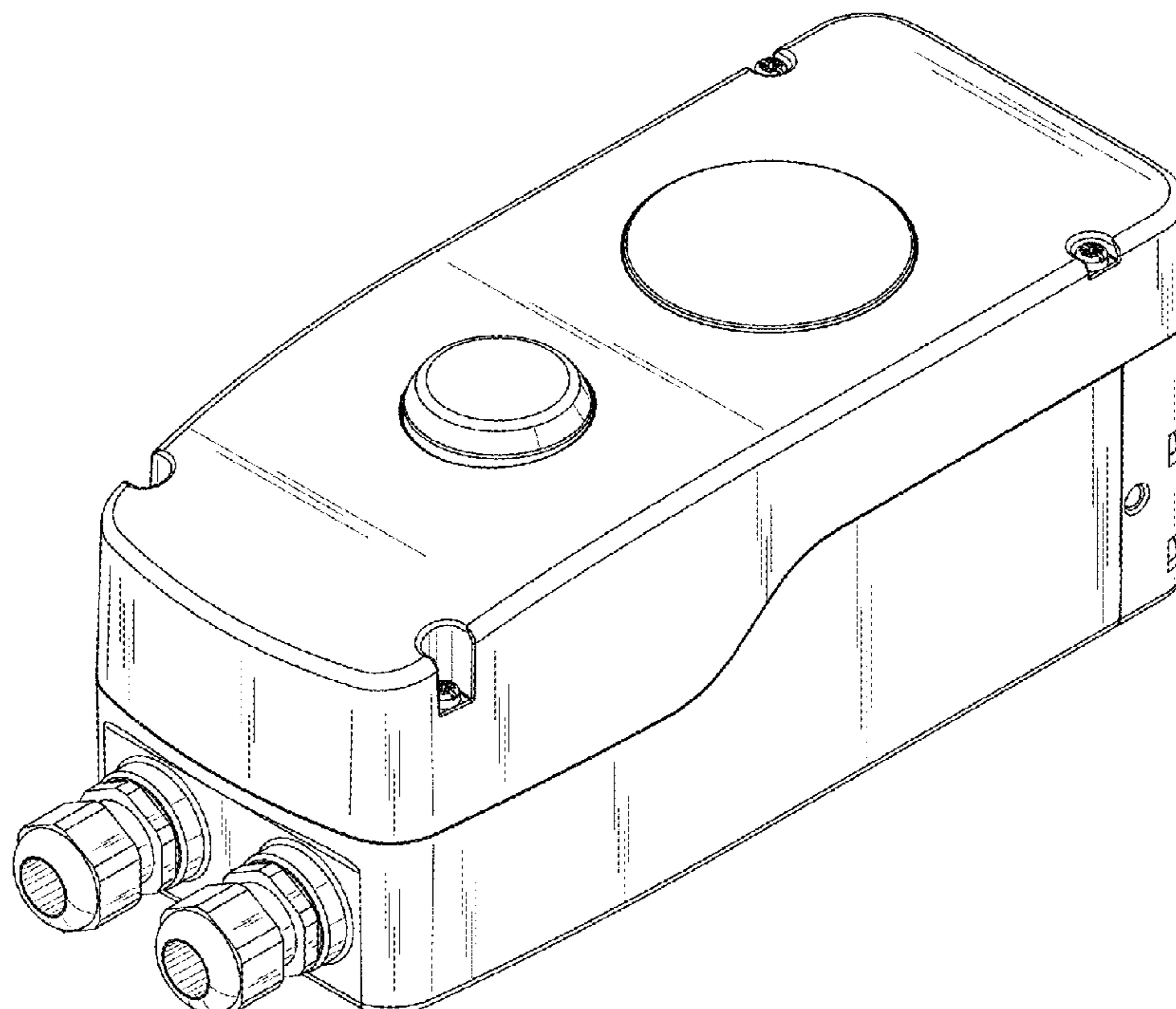
The ornamental design for a controller for valves, as shown and described.

DESCRIPTION

FIG. 1 is a top front perspective view of a controller for valves showing my new design;
FIG. 2 is a front view thereof;
FIG. 3 is a rear view thereof;
FIG. 4 is a right side view thereof;
FIG. 5 is a left side view thereof;
FIG. 6 is a top view thereof; and,
FIG. 7 is a bottom view thereof.

The broken lines are included for illustrating portions of the controller for valves and form no part of the claimed design.

1 Claim, 7 Drawing Sheets



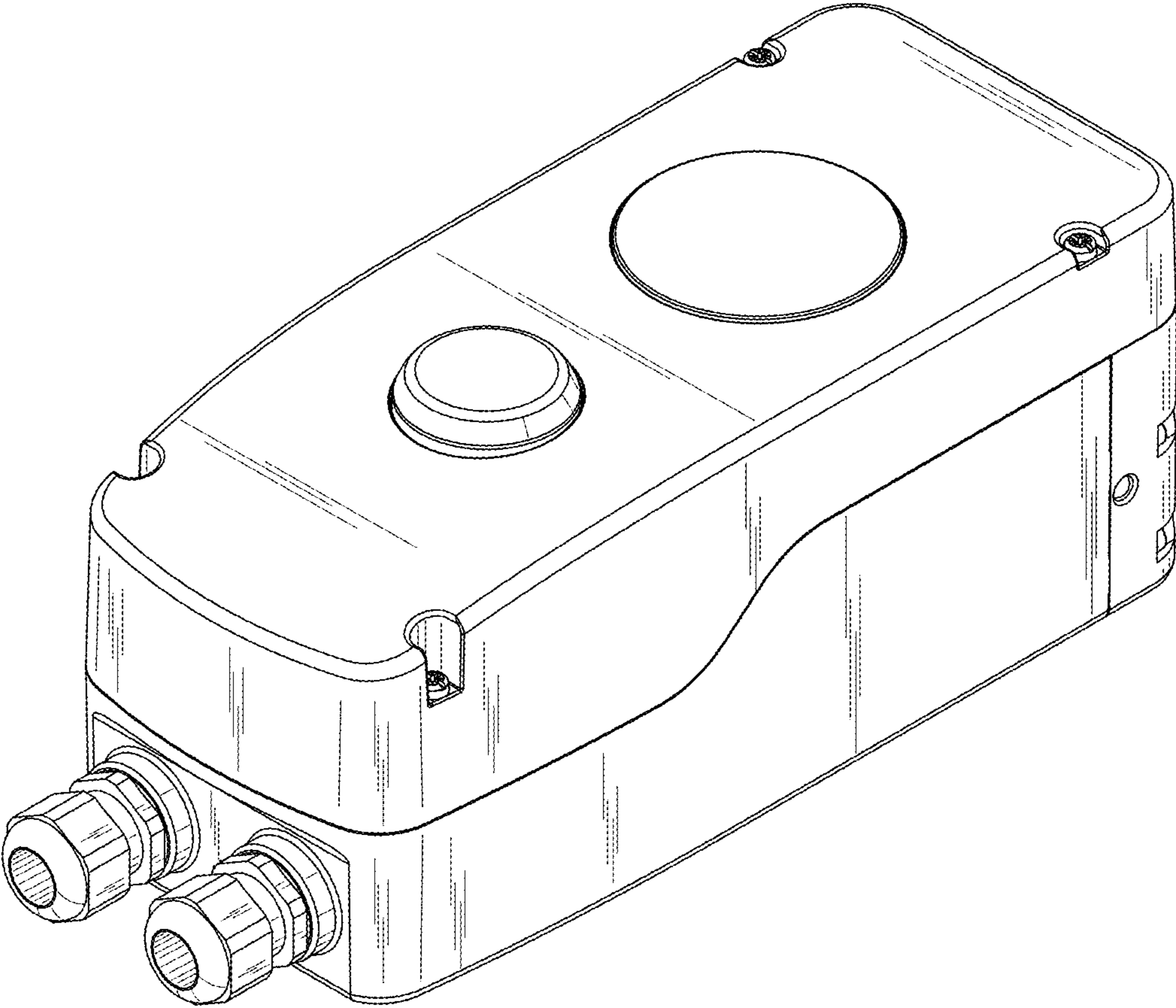


Fig. 1

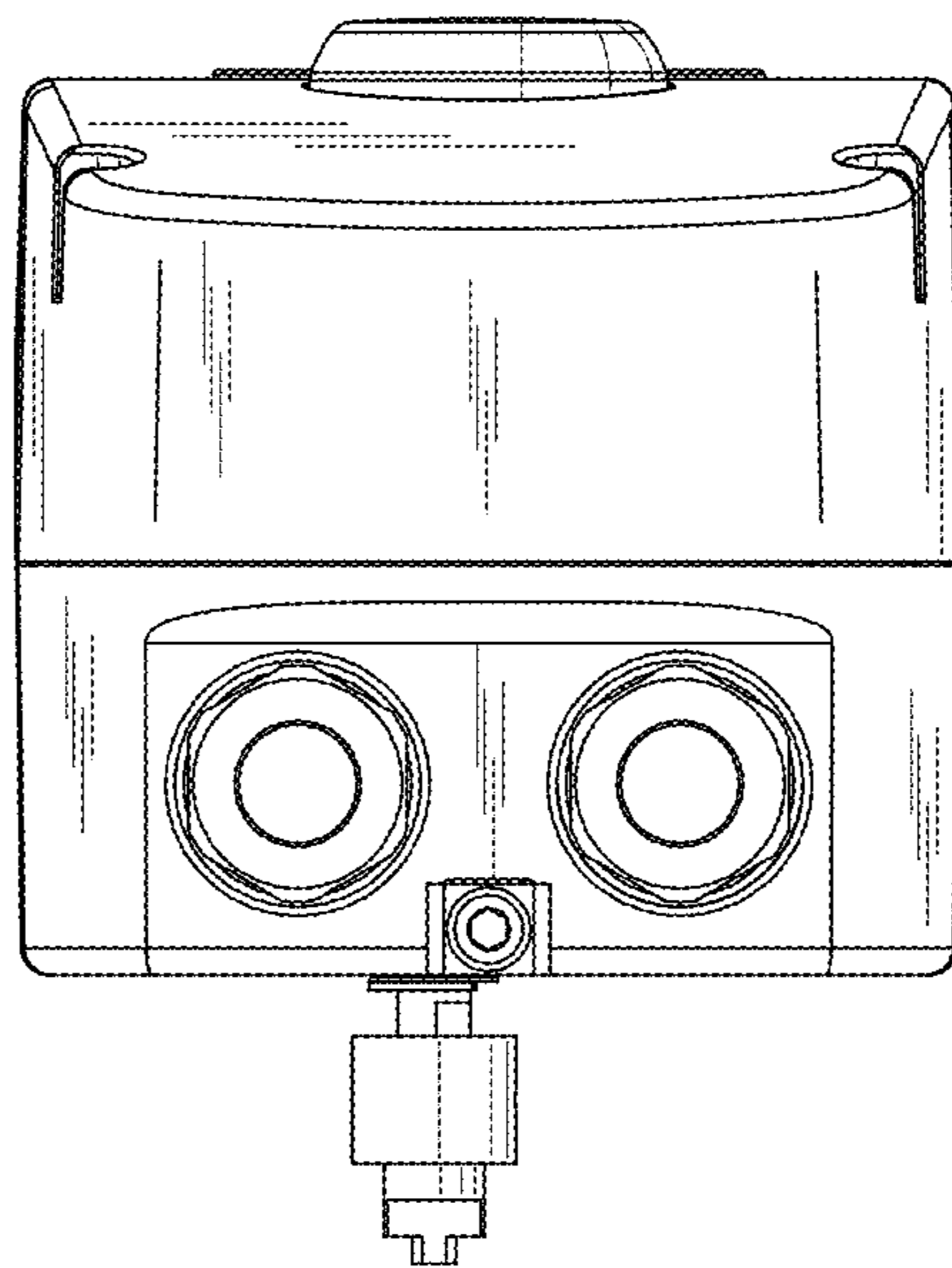


Fig. 2

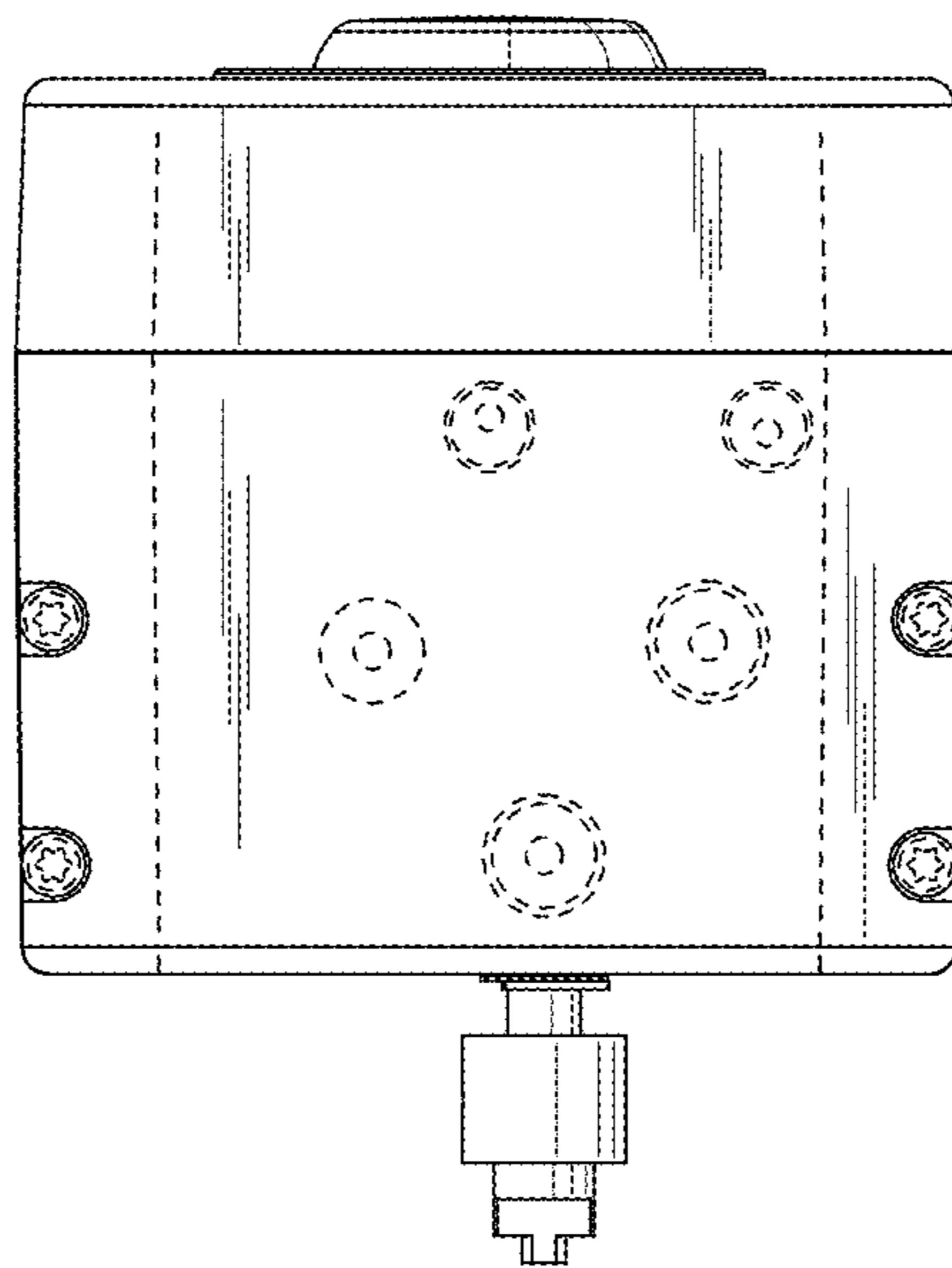


Fig. 3

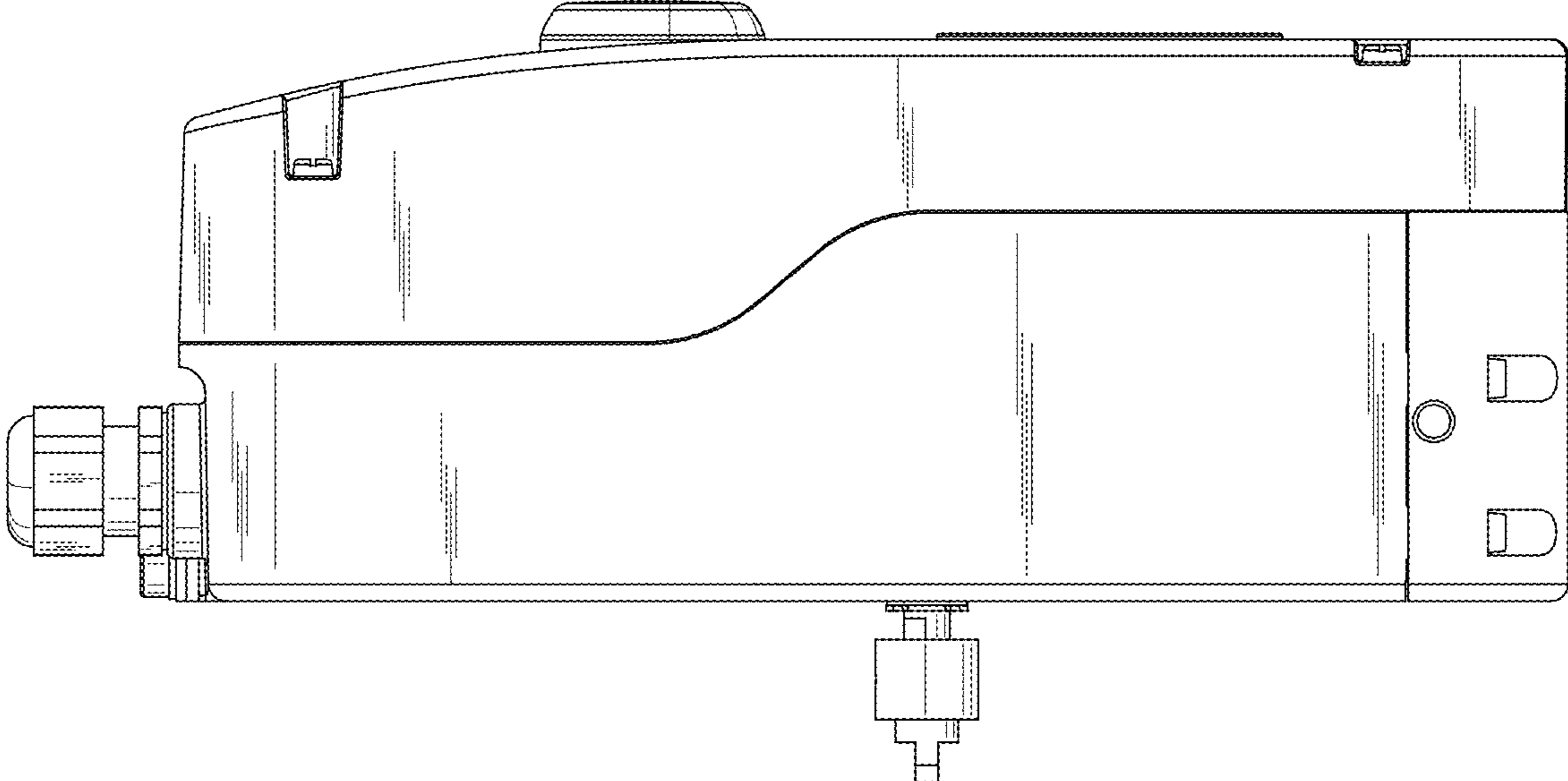


Fig. 4

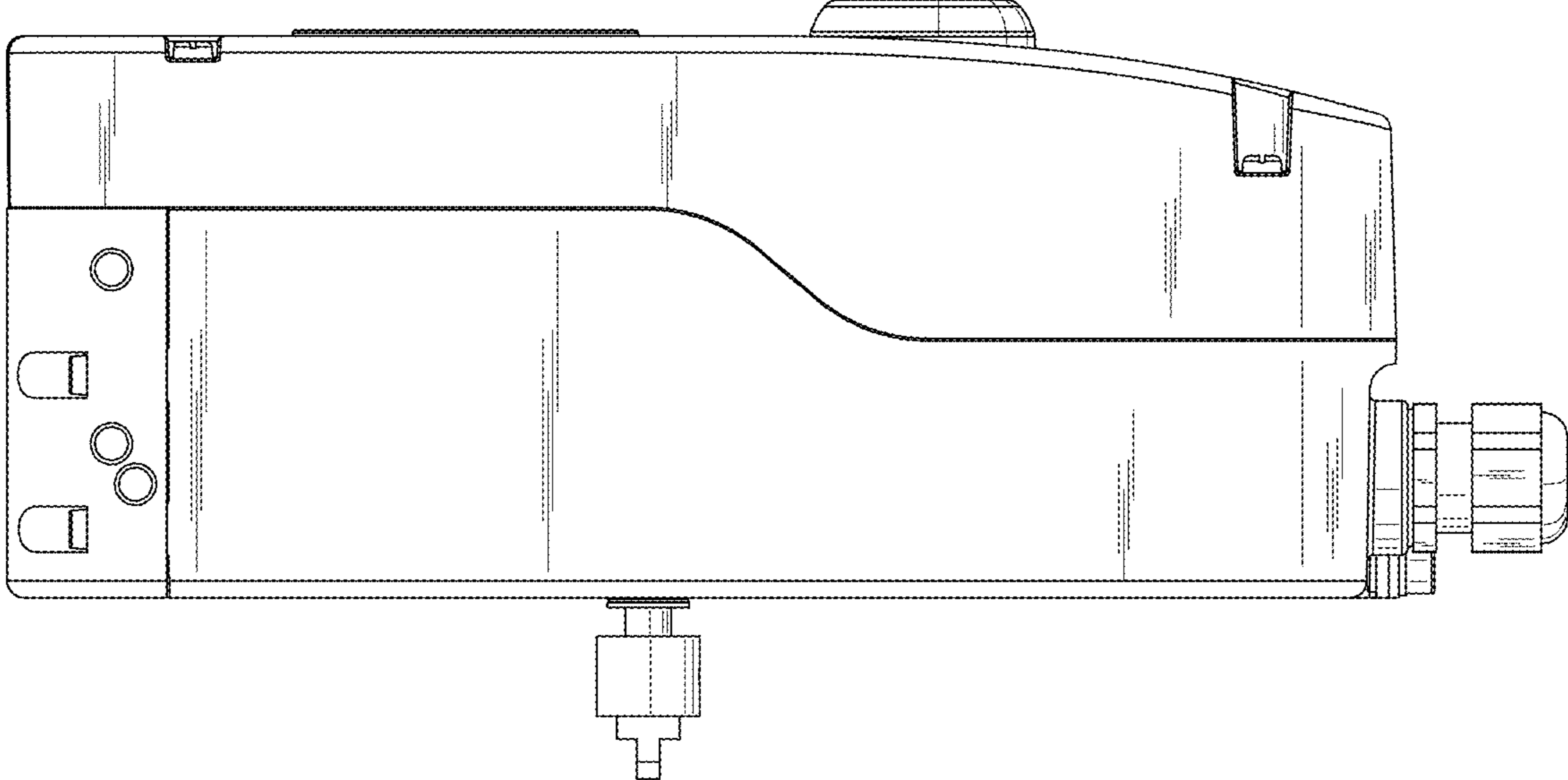


Fig. 5

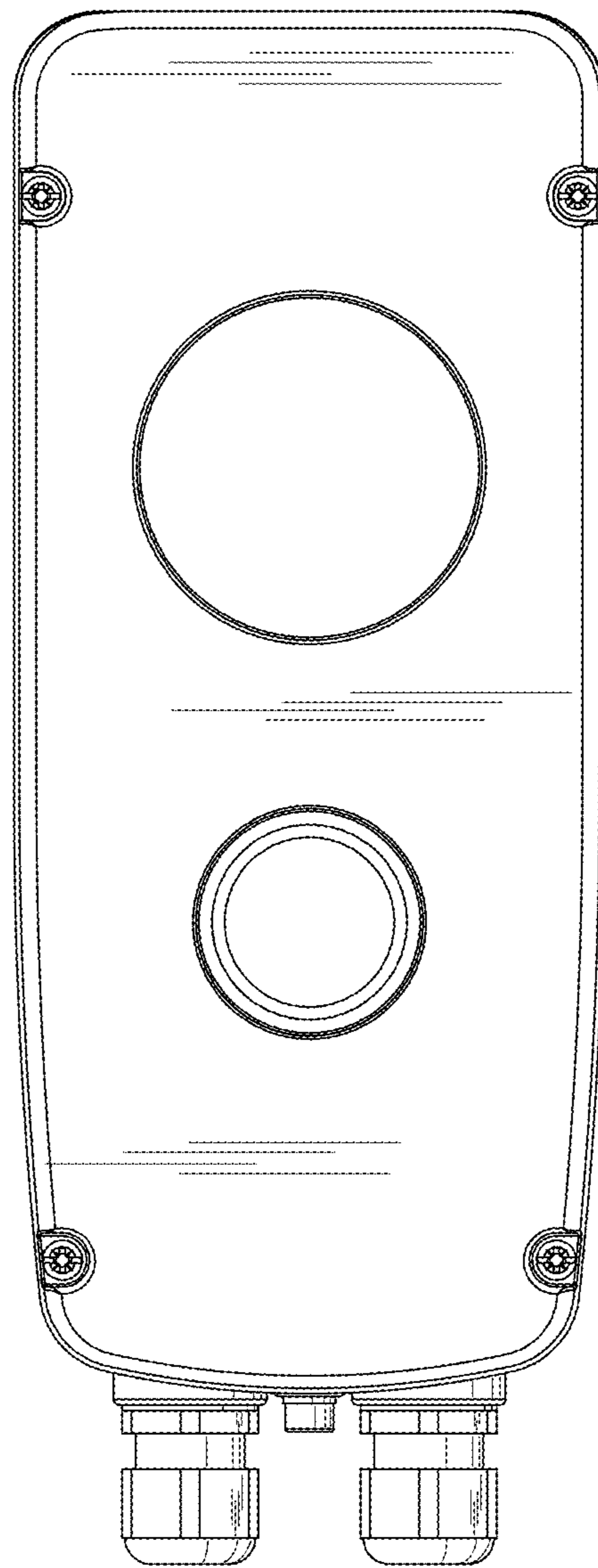


Fig. 6

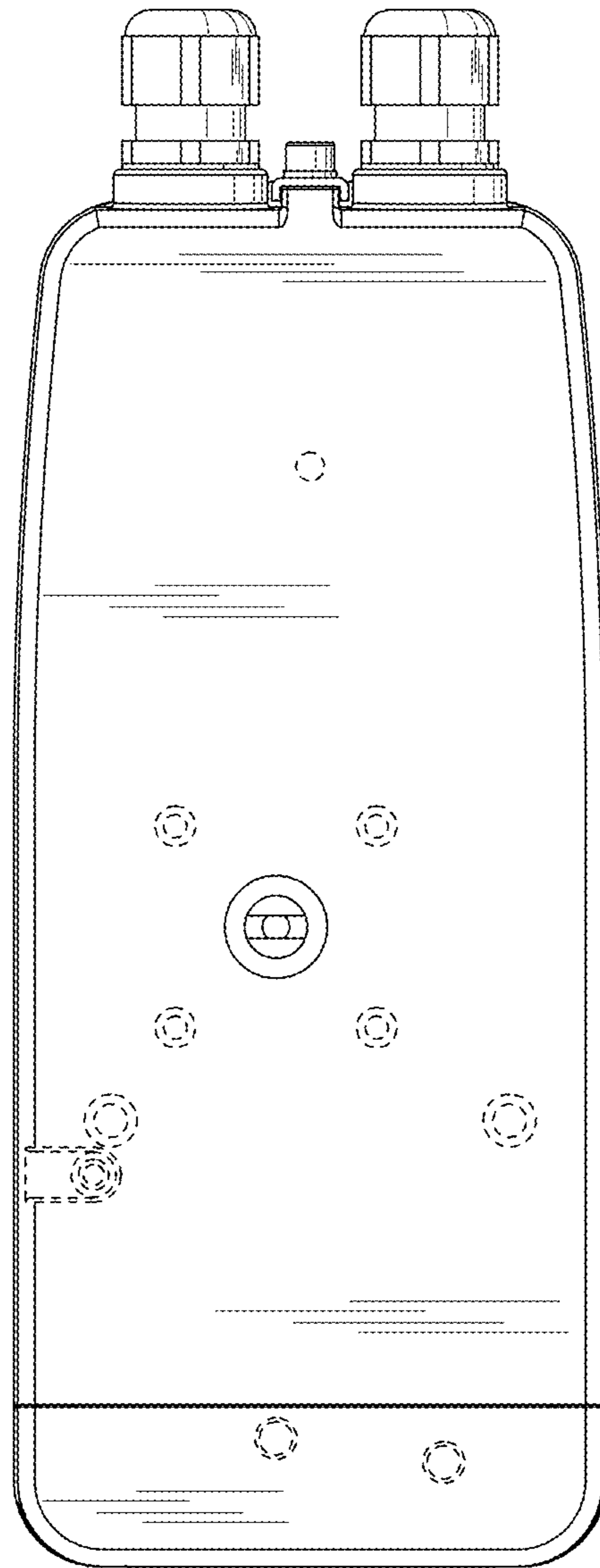


Fig. 7