



US00D966909S

(12) **United States Design Patent** (10) **Patent No.:** **US D966,909 S**
Crawford et al. (45) **Date of Patent:** **** *Oct. 18, 2022**

(54) **DEVICE FOR USE IN AN IRRIGATION SYSTEM**

D705,744 S * 5/2014 Porter D13/177
D857,538 S * 8/2019 Rodriguez D13/173
D858,332 S * 9/2019 Rodriguez D13/173
D858,334 S 9/2019 Stuart
D935,904 S * 11/2021 Johnson D10/49
2014/0081469 A1* 3/2014 Kah, Jr. A01G 25/16
700/284

(71) Applicant: **Husqvarna AB**, Huskvarna (SE)

(72) Inventors: **Bryce Taylor Crawford**, Syracuse, UT (US); **Cari Lynn Driscoll**, Magna, UT (US); **Stuart J. Eyring**, Bountiful, UT (US); **Timothy Michael Johnson**, Woods Cross, UT (US); **Ronald Matthew Stuart**, Clinton, UT (US); **Robert Aaron Macdonald**, Farmington, UT (US); **Quinton John Watson**, Salt Lake City, UT (US)

(73) Assignee: **Husqvarna AB**, Huskvarna (SE)

(*) Notice: This patent is subject to a terminal disclaimer.

(**) Term: **15 Years**

(21) Appl. No.: **29/734,134**

(22) Filed: **May 8, 2020**

(51) **LOC (13) Cl.** **10-04**

(52) **U.S. Cl.**
USPC **D10/49**

(58) **Field of Classification Search**
USPC D10/40, 49, 50, 102, 103; D13/162, D13/162.1, 164, 168, 173, 177, 184; D23/246

CPC B05B 12/02; G01F 11/30; G05D 11/00; F16K 31/02; A01G 25/16; A01G 25/162; A01G 25/165; A01G 27/003; A01G 27/008

See application file for complete search history.

(56) **References Cited**

U.S. PATENT DOCUMENTS

D444,087 S * 6/2001 Johannsen D10/101
D623,969 S * 9/2010 Neitzel D10/101

OTHER PUBLICATIONS

Bhyve XR spec sheet <https://images.thdstatic.com/catalog/pdfImages/0f/0f82cfab-7493-4ff2-a786-b6c560315e5b.pdf> Nov. 20, 2020 (Year: 2020).*

(Continued)

Primary Examiner — Leanne Was-Englehart

(74) *Attorney, Agent, or Firm* — Austin Rapp

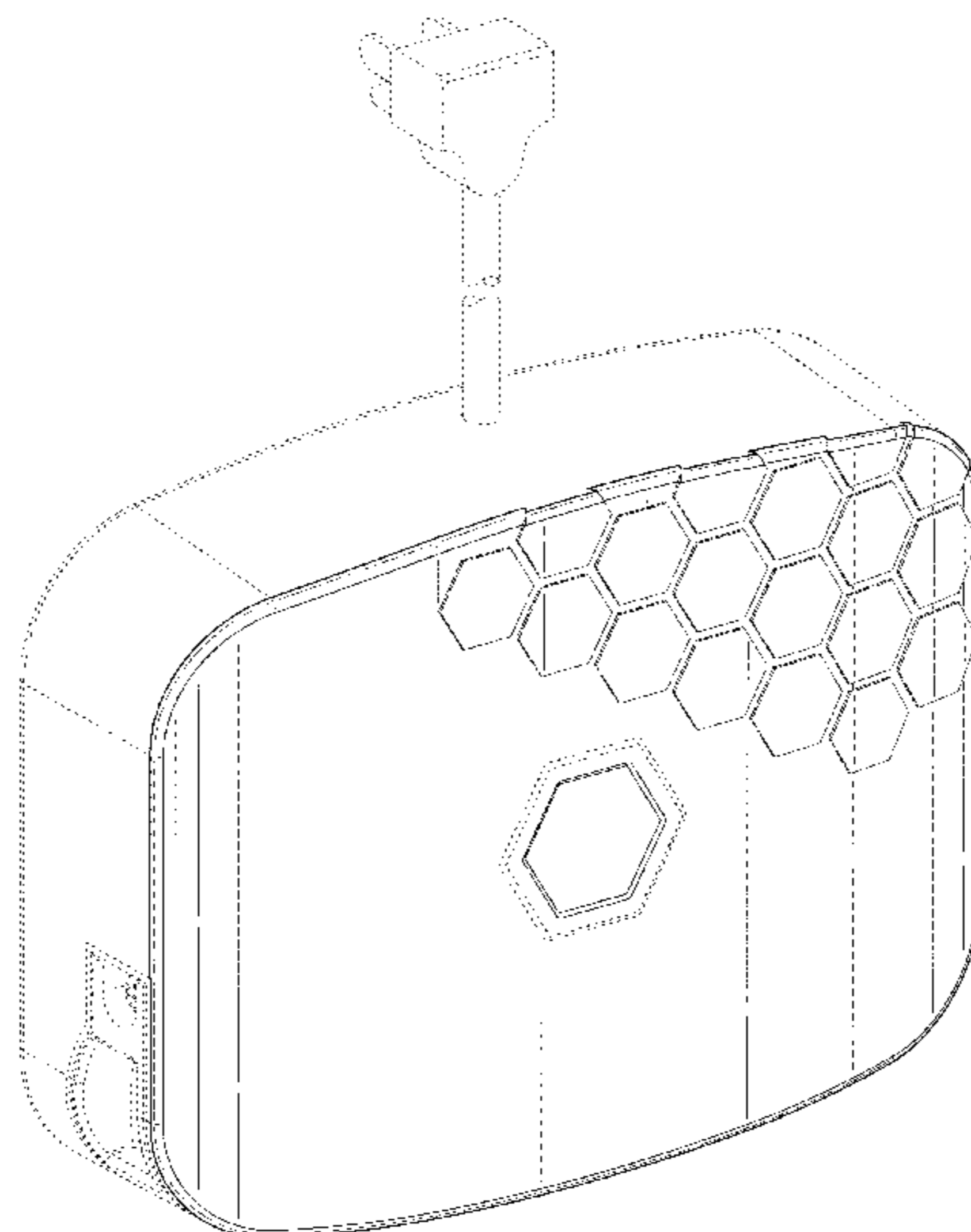
(57) **CLAIM**

The ornamental design for a device for use in an irrigation system, as shown and described.

DESCRIPTION

FIG. 1 is a first top perspective view of a device for use in an irrigation system according to our new design; FIG. 2 is a second top perspective view of the device; FIG. 3 is a first bottom perspective view of the device; FIG. 4 is a second bottom perspective view of the device; FIG. 5 is a front side elevational view of the portion of the device; FIG. 6 is a top side view of the device; FIG. 7 is a bottom side view of the device; FIG. 8 is a right side elevational view of the device; and, FIG. 9 is a left side elevational view of the device. The broken lines in the figures are included for the purpose of illustrating unclaimed portions of the device and form no part of the claimed design. The rear side view of the device is not included as no portion of the rear side of the device is claimed.

1 Claim, 9 Drawing Sheets



(56)

References Cited

OTHER PUBLICATIONS

Orbit 57985 B-hyve XR Smart 8-Zone Indoor_Outdoor Sprinkler Controller, Amazon.ca <https://www.amazon.ca/Orbit-57985-Sprinkler-Controller-Charcoal/dp/B08J2BJSCB?th=1> Sep. 17, 2020 (Year: 2020).*

Orbit B-hyve XR sprinkler timer review_ A great irrigation system _ TechHive <https://www.techhive.com/article/578838/orbit-b-hyve-xr-review.html> Sep. 18, 2020 (Year: 2020).*

Amazon, Rachio Smart Sprinkler Controller, WiFi, 8 Zone 2nd Generation, Works with Alexa, online catalog [online] [retrieved Apr. 18, 2018], apparently published on or before Apr. 29, 2016, Retrieved from the Internet: <URL: <https://www.amazon.com/Rachio-Sprinkler-Controller-Generation-Amazon/dp/B01D1NMLJU>> (shown in attachment 1).

U.S. Appl. No. 29/717,293, filed Dec. 16, 2019, Johnson.

Amazon, Spruce Irrigation 16 Zone Smart Wifi Controller (Gen 2), Compatible with Alexa, online catalog [online] [retrieved Apr. 18, 2018], apparently published on or before Jan. 5, 2018, Retrieved from the Internet: <URL: https://www.amazon.com/dp/B075B3GZLX/ref=sspa_dk_detail_2?psc=1&pd_rd_i=B075B3GZLX&pd_rd_wg=fvXen&pd_rd_r=Z7CTPHV7ZQS4G54DCDAC&pd_rd_w=uNUOm> (shown in attachment 2).

Amazon, Netro Smart Sprinkler Controller, WiFi, Weather aware, Remote access, 6 Zone, Compatible with Alexa, online catalog [online] [retrieved Apr. 18, 2018], apparently published on or before Dec. 12, 2017, Retrieved from the Internet: <URL: https://www.amazon.com/dp/B076CZ6DHR/ref=sspa_dk_detail_1?psc=1&pd_rd_i=B076CZ6DHR&pd_rd_wg=fvXen&pd_rd_r=Z7CTPHV7ZQS4G54DCDAC&pd_rd_w=uNUOm> (shown in attachment 3).

Amazon, RainMachine Mini-8, Cloud Independent, The Forecast Sprinkler, Wi-Fi Irrigation Controller, online catalog [online] [retrieved Apr. 18, 2018], apparently published on or before Dec. 27, 2015, Retrieved from the Internet: <URL: https://www.amazon.com/RainMachine-Mini-8-Independent-Irrigation-Controller/dp/B00WQI65V2/ref=pd_day0_86_4encoding=UTF8&pd_rd_i=B00WQI65V2&pd_rd_r=Z7CTPHV7ZQS4G54DCDAC&pd_rd_w=3Fmig&pd_rd_wg=fvXen&psc=1&refRID=Z7CTPHV7ZQS4G54DCDAC> (shown in attachment 4).

Amazon, Lono Connected Smart Home Irrigation System with up to 20 Zones, online catalog [online] [retrieved Apr. 18, 2018], apparently published on or before Oct. 23, 2015, Retrieved from the Internet: <URL: <https://www.amazon.com/Lono-Connected-Smart-Irrigation-System/dp/B00UNELCXM>> (shown in attachment 5).

Amazon, Blossom 12 Zone Smart Watering Controller with WiFi + Powerline—Self-Scheduling Sprinkler Irrigation System, online catalog [online] [retrieved Apr. 18, 2018], apparently published on or before Apr. 30, 2015, Retrieved from the Internet: <URL: <https://www.amazon.com/Blossom-Smart-Watering-Controller-Powerline/dp/B00UHCT7KU>> (shown in attachment 6).

Amazon, Rachio 3 Smart Sprinkler Controller, Works with Alexa, 8 Zone, online catalog [online] [retrieved Feb. 13, 2020], apparently published on or before Jul. 11, 2018, Retrieved from the Internet: <<https://www.amazon.com/Rachio-Smart-Sprinkler-Controller-8-Zone/dp/B07CZ864Y9>> (shown in attachment 7).

Rachio, Inc., Rachio 3 Smart Sprinkler Controller, Product No. 8ZULW-C (shown in attachment 8) was sold or offered for sale at least by May 4, 2018.

Preliminary Amendment, U.S. Appl. No. 29/717,293, filed Apr. 10, 2020 (shown in attachment 9).

Skydrop, Skydrop™ Arc Sprinkler Controller, Product No. SDARC1.0, web page [online] [retrieved Aug. 13, 2020], apparently published on or before Mar. 3, 2019, Retrieved from the Internet: <URL: <https://web.archive.org/web/20190303155754/https://www.skydrop.com/#>> (shown in attachment 10).

Skydrop, Skydrop™ Arc Sprinkler Controller, Product No. SDARC1.0, web page [online] [retrieved Aug. 12, 2020], apparently published on or before Aug. 12, 2020, Retrieved from the Internet: <URL: <https://www.skydrop.com/product/skydrop-arc/>> (shown in attachment 11).

Restriction Requirement, U.S. Appl. No. 29/717,293, dated May 11, 2021, pp. 1-6 (shown in attachment 12).

Restriction requirement response, U.S. Appl. No. 29/717,293, dated Jul. 8, 2021, pp. 1-41 (shown in attachment 13).

Notice of Allowance and Fee(s) Due (including a Notice of Allowability For A Design Application section, an Examiner's Comment / Amendment section, a Drawings section, a Specification section and a Conclusion section), U.S. Appl. No. 29/717,293, dated Jul. 30, 2021, pp. 1-7 (shown in attachment 14).

Notice of Allowance and Fee(s) Due (including a Notice of Allowability For A Design Application section), U.S. Appl. No. 29/815,017, dated Jun. 8, 2022, pp. 1-5 (included as attachment 15).

* cited by examiner

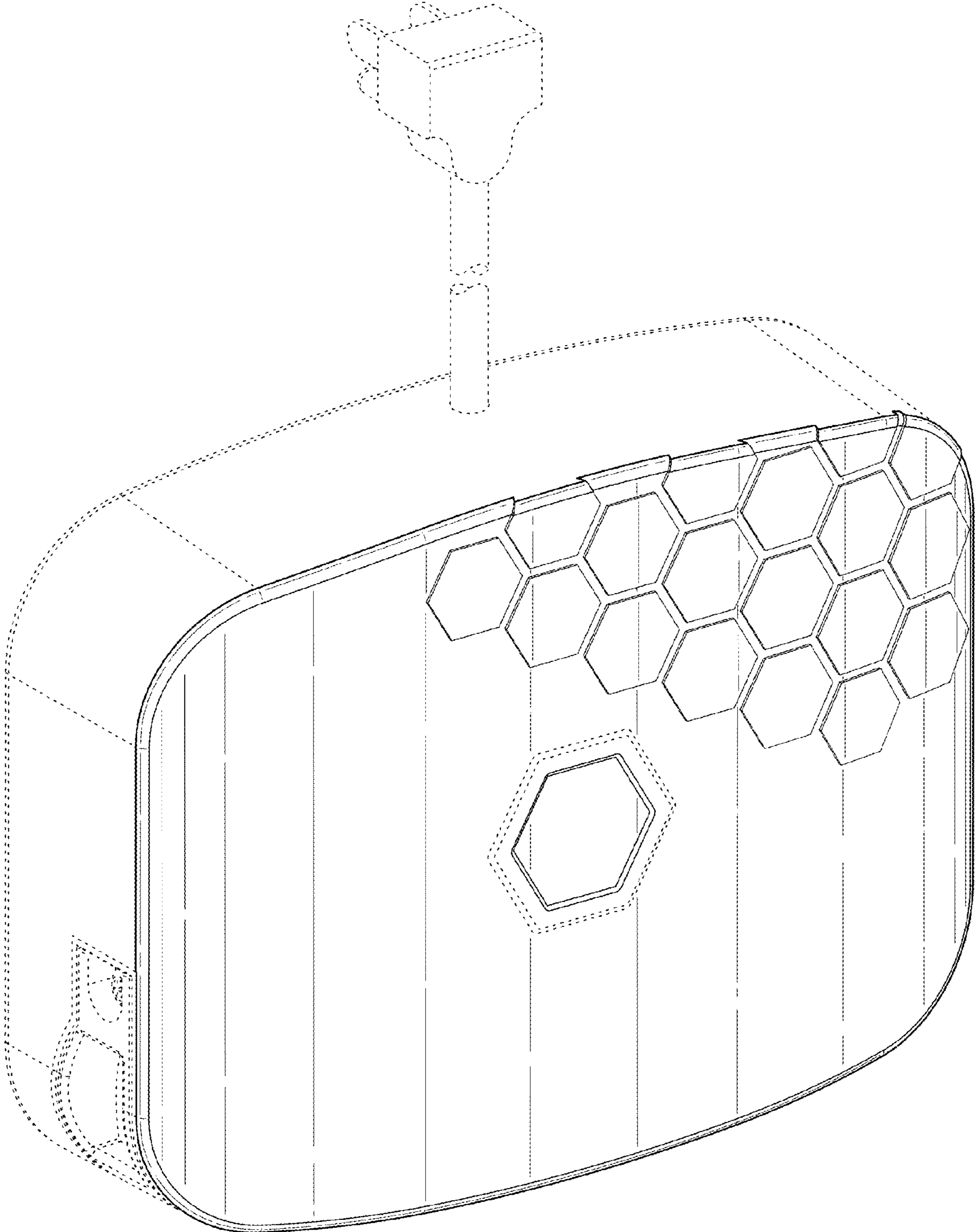


FIG. 1

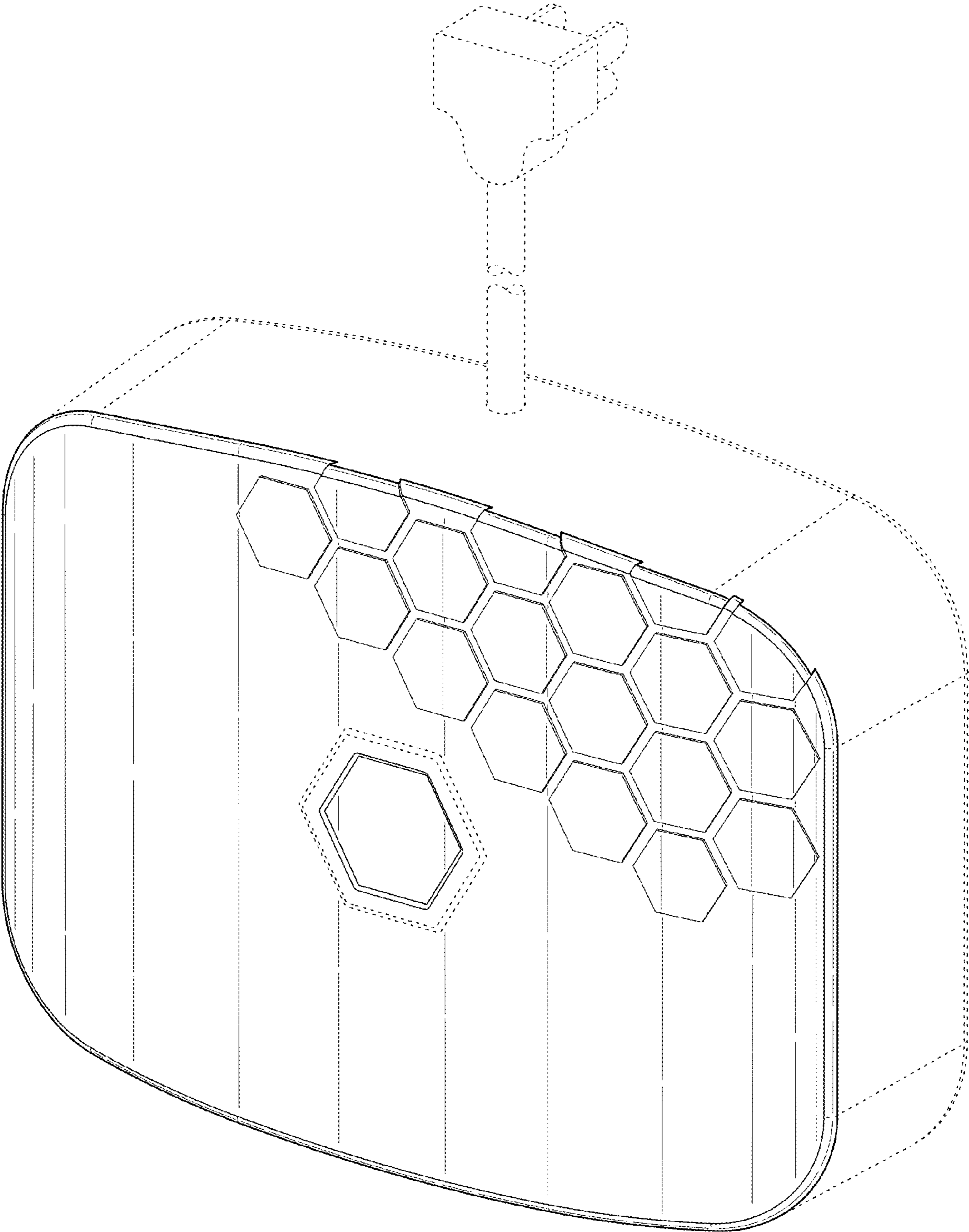


FIG. 2

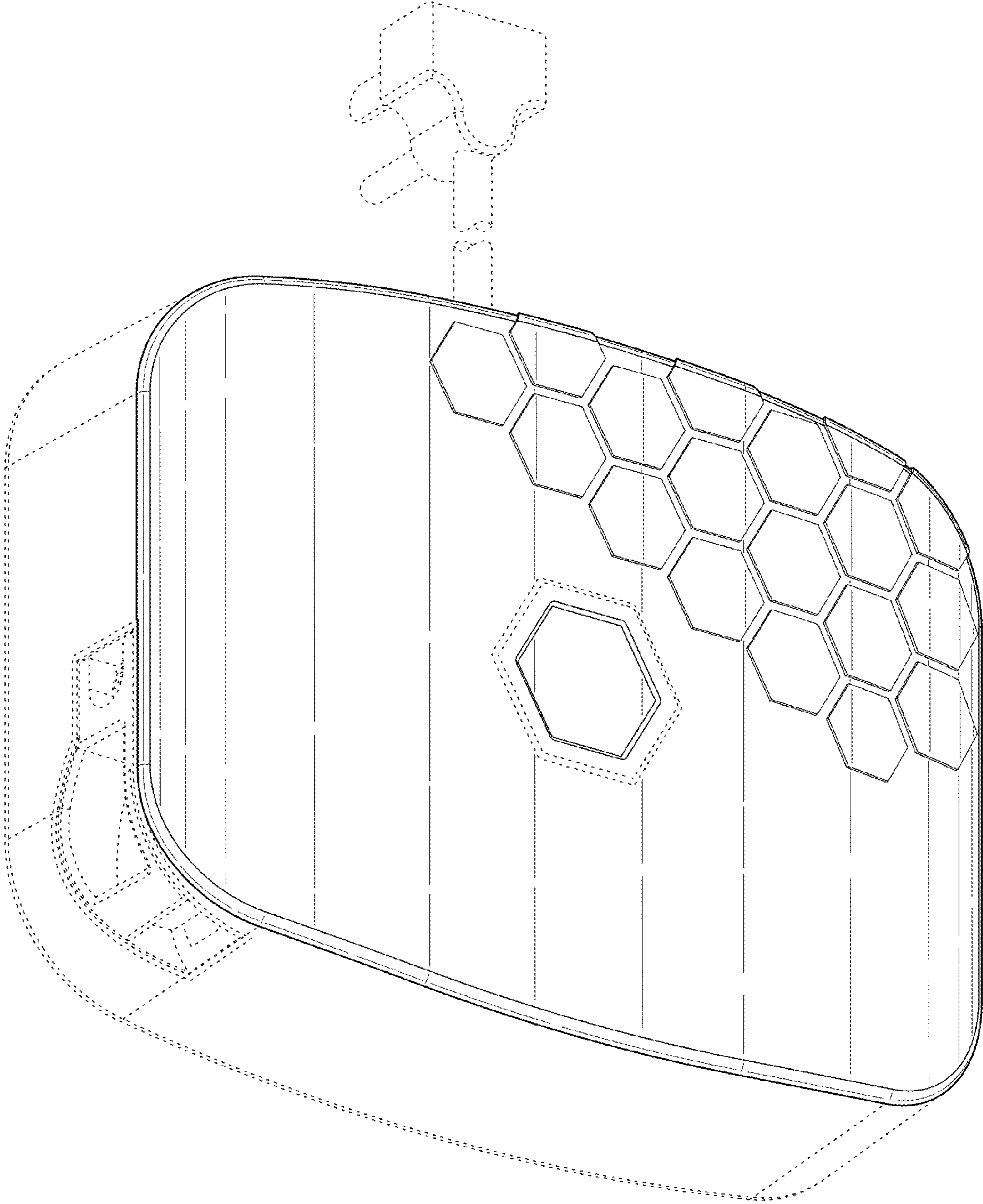


FIG. 3

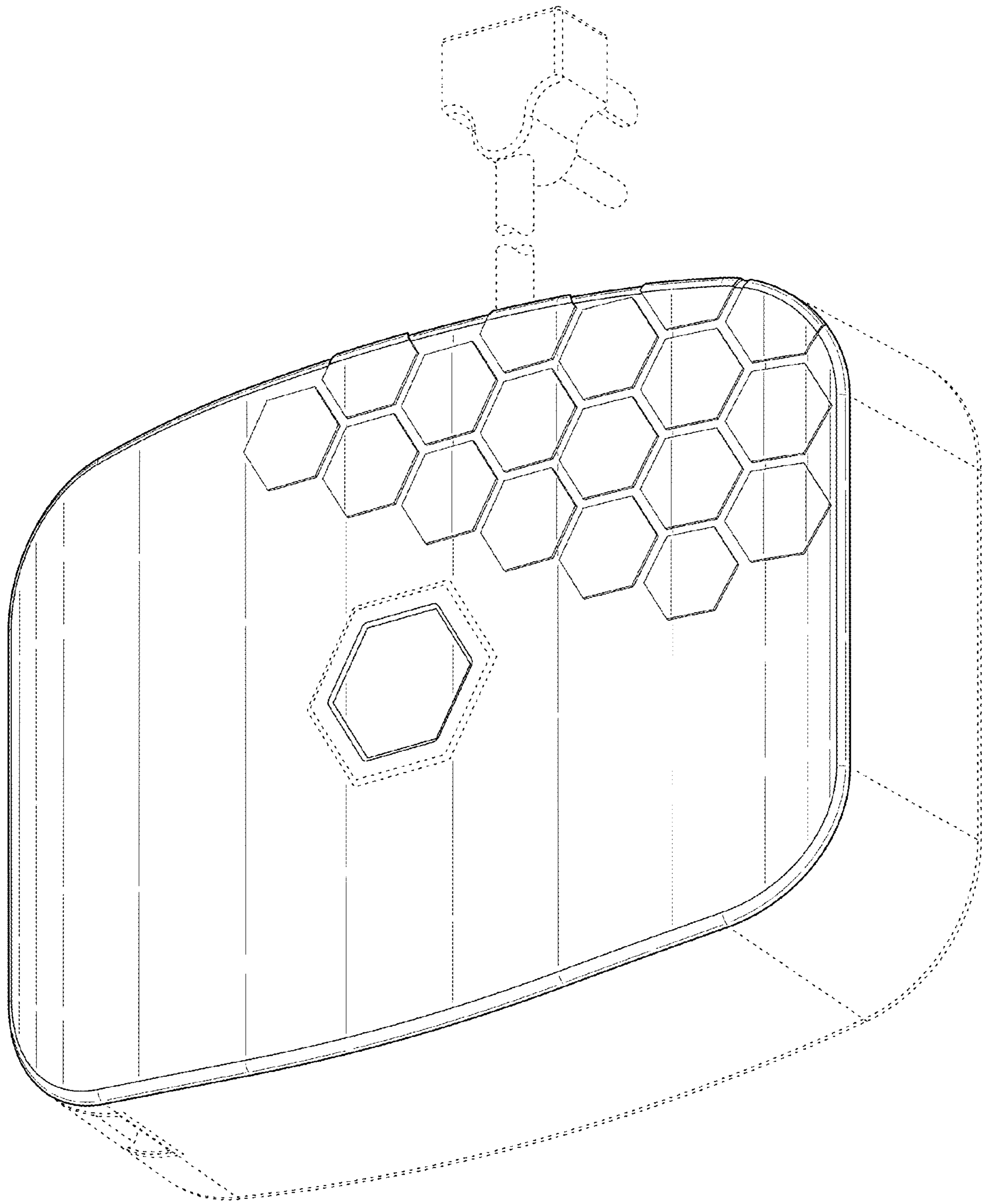


FIG. 4

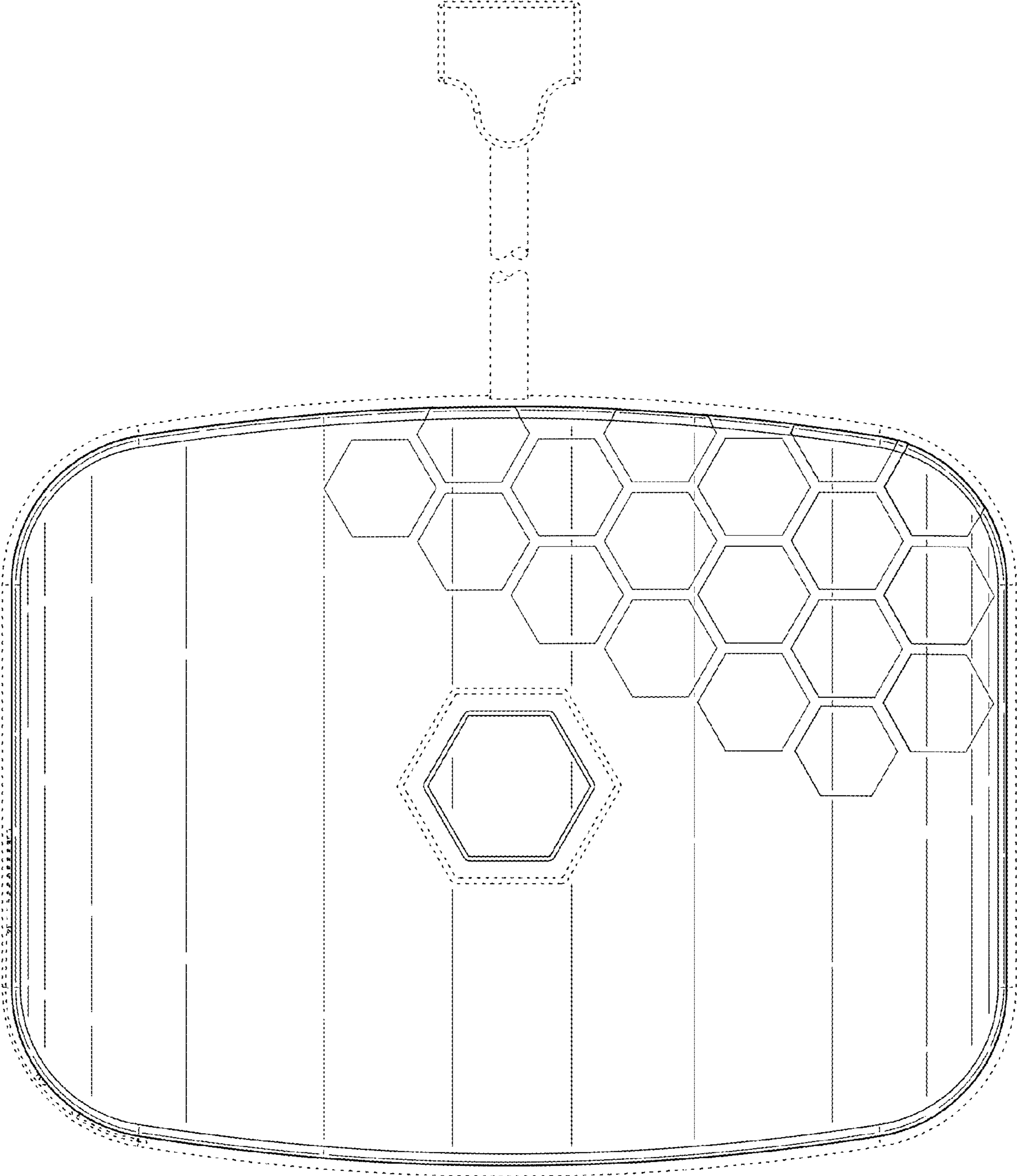


FIG. 5

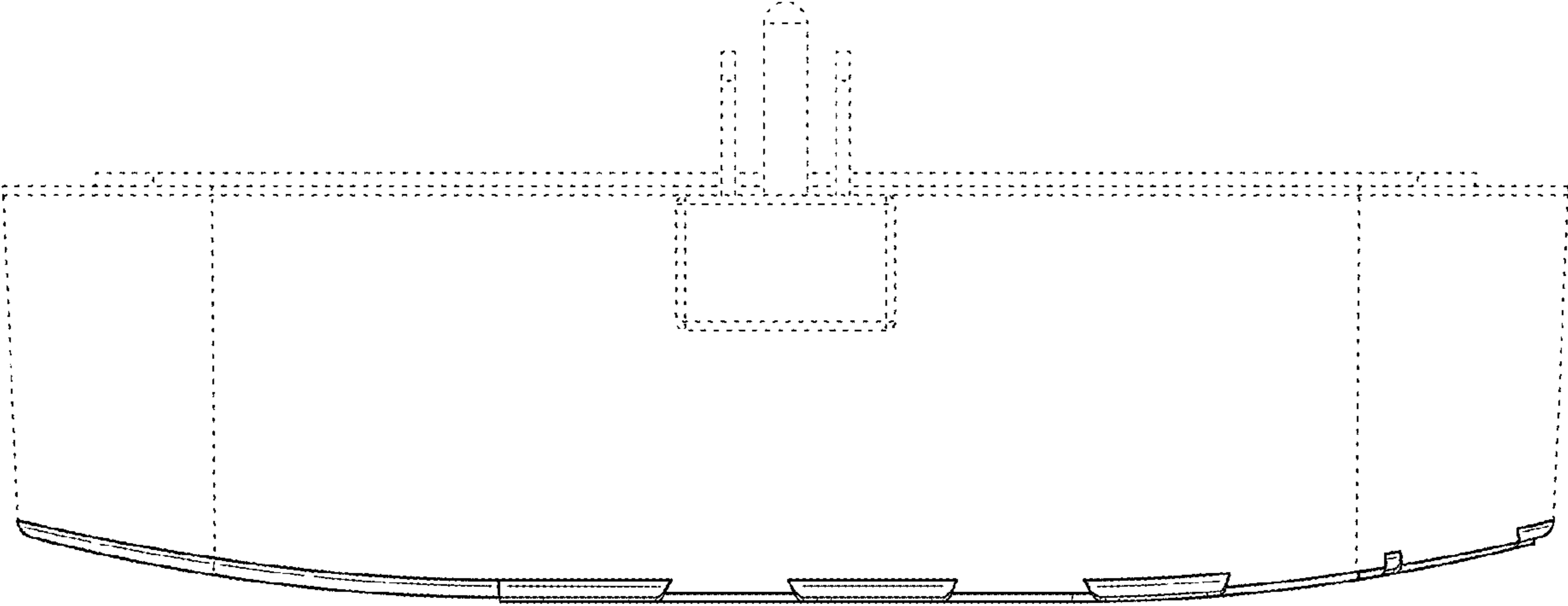


FIG. 6

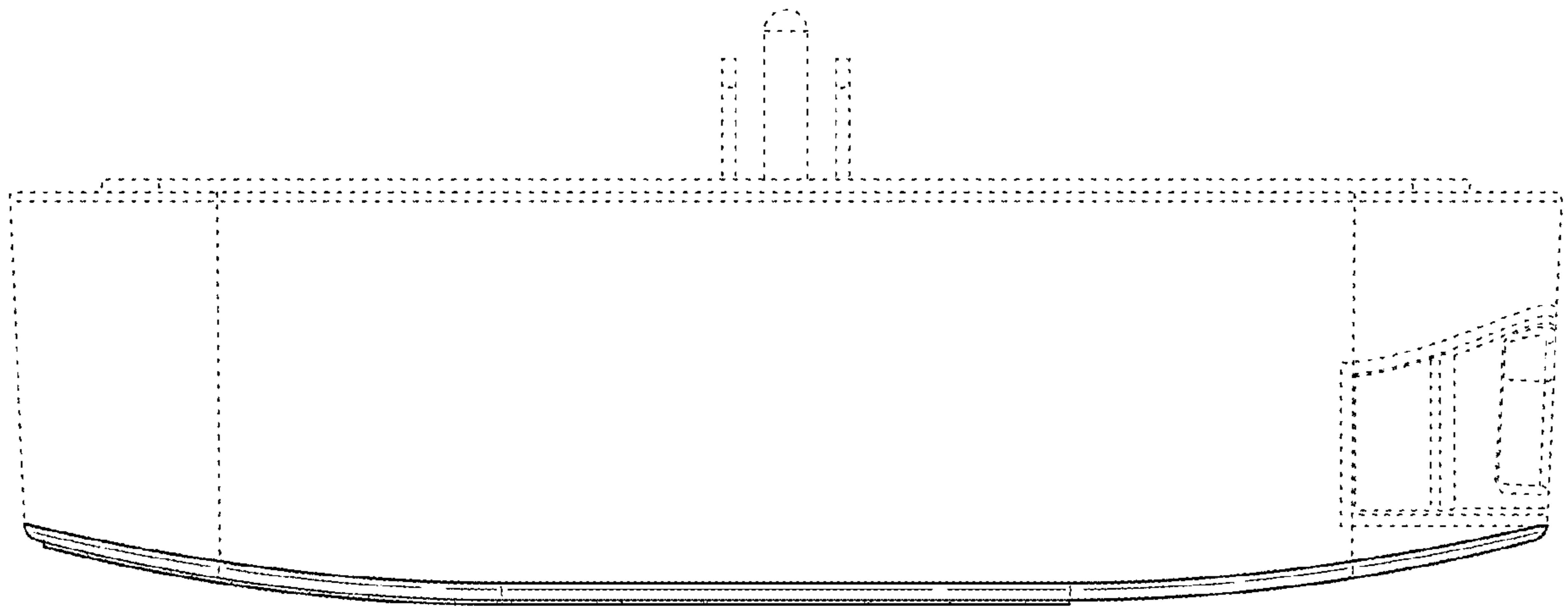


FIG. 7

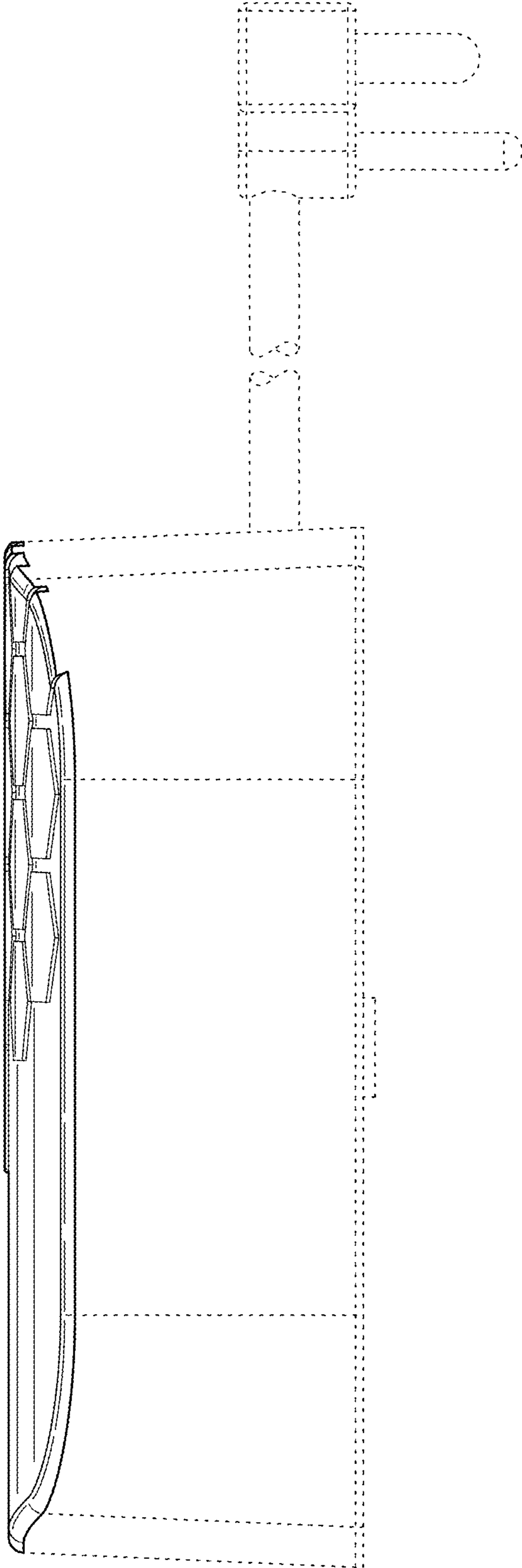


FIG. 8

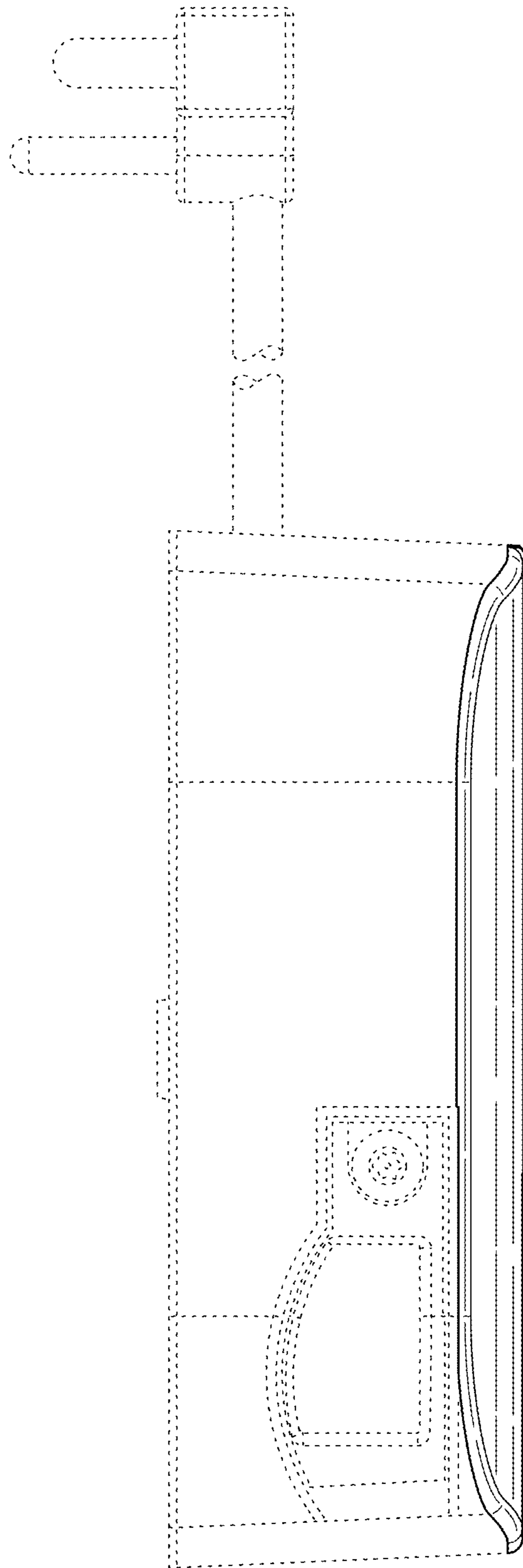


FIG. 9

UNITED STATES PATENT AND TRADEMARK OFFICE
CERTIFICATE OF CORRECTION

PATENT NO. : D966,909 S
APPLICATION NO. : 29/734134
DATED : October 18, 2022
INVENTOR(S) : Bryce Taylor Crawford et al.

Page 1 of 1

It is certified that error appears in the above-identified patent and that said Letters Patent is hereby corrected as shown below:

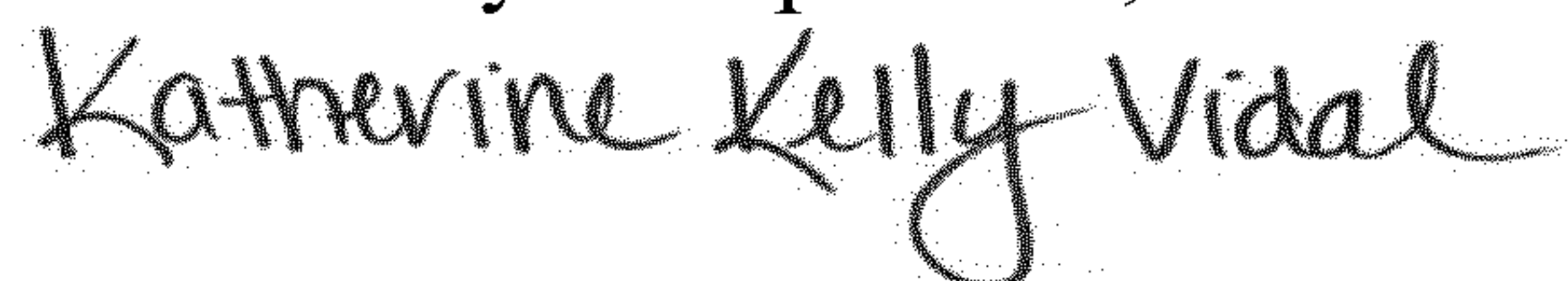
On the Title Page

In the Description

Replace "FIG. 5 is a front side elevational view of the portion of the device;" with --FIG. 5 is a front side elevational view of the device;--

Replace "FIG. 8 is a right side elevational view of the device; and," with --FIG. 8 is a right side elevational view of the device; and--

Signed and Sealed this
Fifth Day of September, 2023



Katherine Kelly Vidal
Director of the United States Patent and Trademark Office