



US00D966907S

(12) **United States Design Patent**
Ouyang

(10) **Patent No.:** **US D966,907 S**

(45) **Date of Patent:** **** Oct. 18, 2022**

(54) **WATCH**

(71) Applicant: **Helen Ouyang**, Guangdong (CN)

(72) Inventor: **Helen Ouyang**, Guangdong (CN)

(**) Term: **15 Years**

(21) Appl. No.: **29/806,427**

(22) Filed: **Sep. 2, 2021**

(51) **LOC (13) Cl.** **10-02**

(52) **U.S. Cl.**

USPC **D10/32**; D14/344

(58) **Field of Classification Search**

USPC D10/30-39, 122, 128-132; D11/3;
D14/344, 440; D24/167, 186

CPC A61B 5/681; A61B 5/6831; A44C 5/0007;
A44C 5/147; G04B 37/005; G04B
37/0058; G04B 37/1446; G04G 17/00;
G04G 17/08; G04G 17/083; G04G
99/006

See application file for complete search history.

(56) **References Cited**

U.S. PATENT DOCUMENTS

D720,249 S	12/2014	Park et al.	
D729,658 S	5/2015	Behar	
D744,109 S *	11/2015	Yoneta	D24/186
D759,516 S	6/2016	Ling et al.	
D759,826 S	6/2016	Martinez et al.	
D770,321 S *	11/2016	Murphy	D14/344
D800,313 S *	10/2017	Chang	D24/167
D808,962 S	1/2018	Wu	
D860,818 S	9/2019	Viry	
D879,094 S *	3/2020	Choplin	D11/3
D887,287 S	6/2020	Kong	
D891,286 S	7/2020	Worth et al.	

D902,203 S *	11/2020	Choplin	D14/344
D927,999 S *	8/2021	Paschke	D10/70
D928,781 S	8/2021	Kozlovskaya et al.	
D931,853 S *	9/2021	Xu	D14/344
D933,651 S *	10/2021	Cheng	D14/344
D937,418 S *	11/2021	Byler	D24/167
D938,414 S *	12/2021	Giusti	D14/344
D938,416 S *	12/2021	King	D14/344
D945,992 S *	3/2022	Zhu	D14/344
D950,549 S *	5/2022	King	D14/344
D954,702 S *	6/2022	Park	D14/344
D958,139 S *	7/2022	Cheng	D14/344

FOREIGN PATENT DOCUMENTS

EP 2770379 A1 * 8/2014 G04B 39/00

* cited by examiner

Primary Examiner — Katherine Glennon

(57) **CLAIM**

The ornamental design for a watch, as shown and described.

DESCRIPTION

FIG. 1 is a front perspective view of a watch design showing my new design.

FIG. 2 is a front view of a watch.

FIG. 3 is a rear view of a watch.

FIG. 4 is a left side view of a watch.

FIG. 5 is a right side view of a watch.

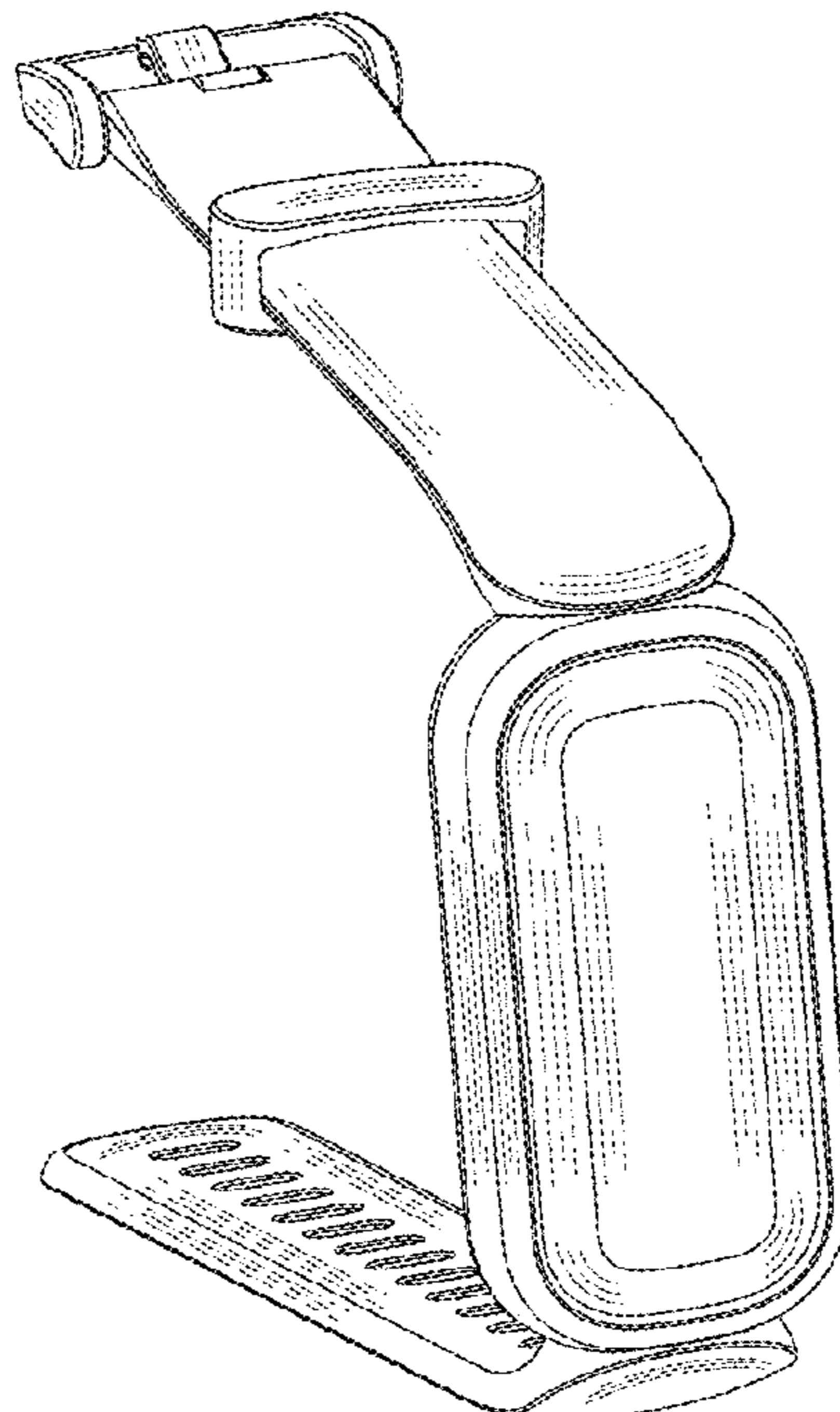
FIG. 6 is a top view of a watch.

FIG. 7 is a bottom view of a watch; and,

FIG. 8 is a rear perspective view of a watch.

Any shading and cross-hatching are not features of the design but are utilized to illustrate the surface contours of the watch design in the drawings.

1 Claim, 8 Drawing Sheets



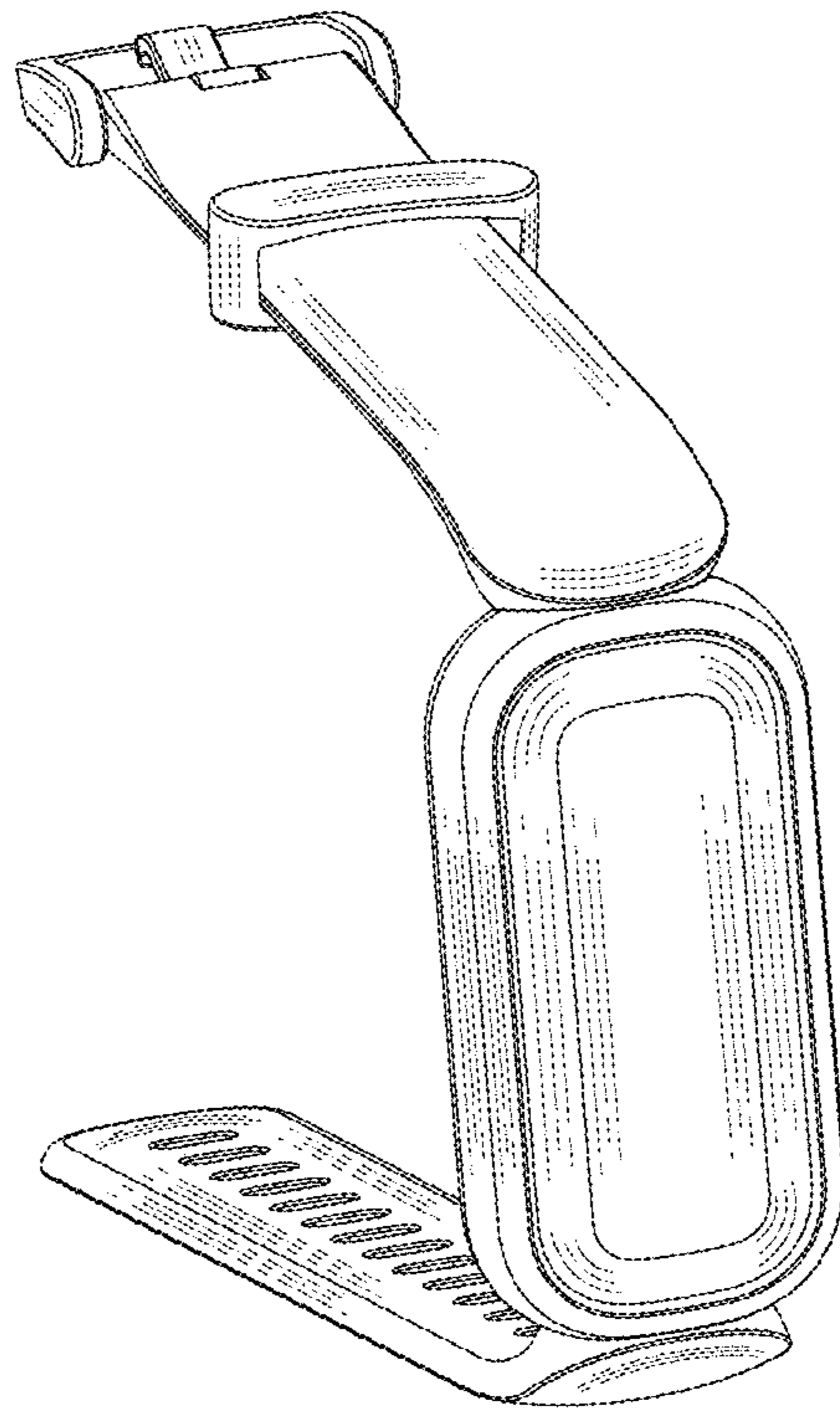


FIG. 1

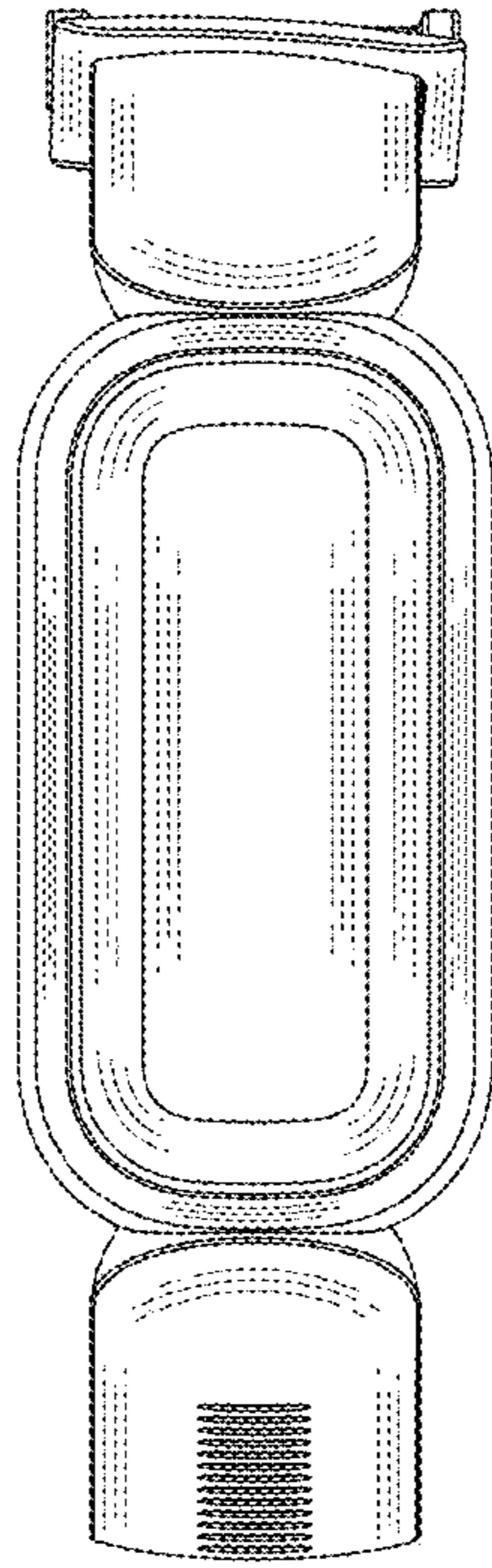


FIG. 2

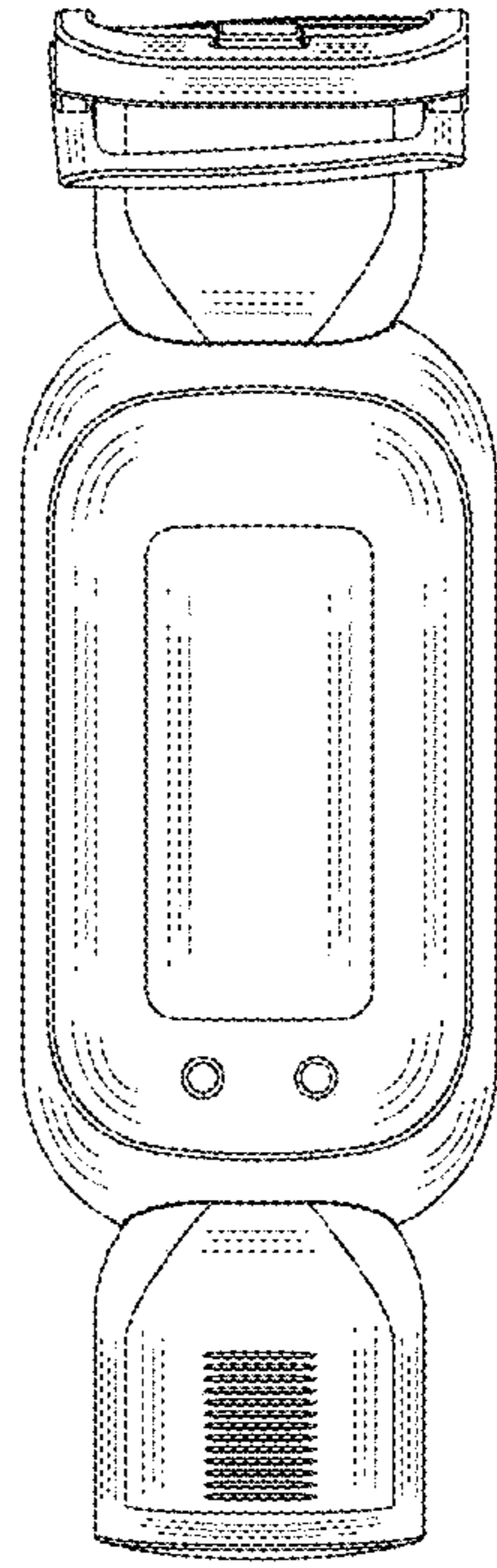


FIG. 3

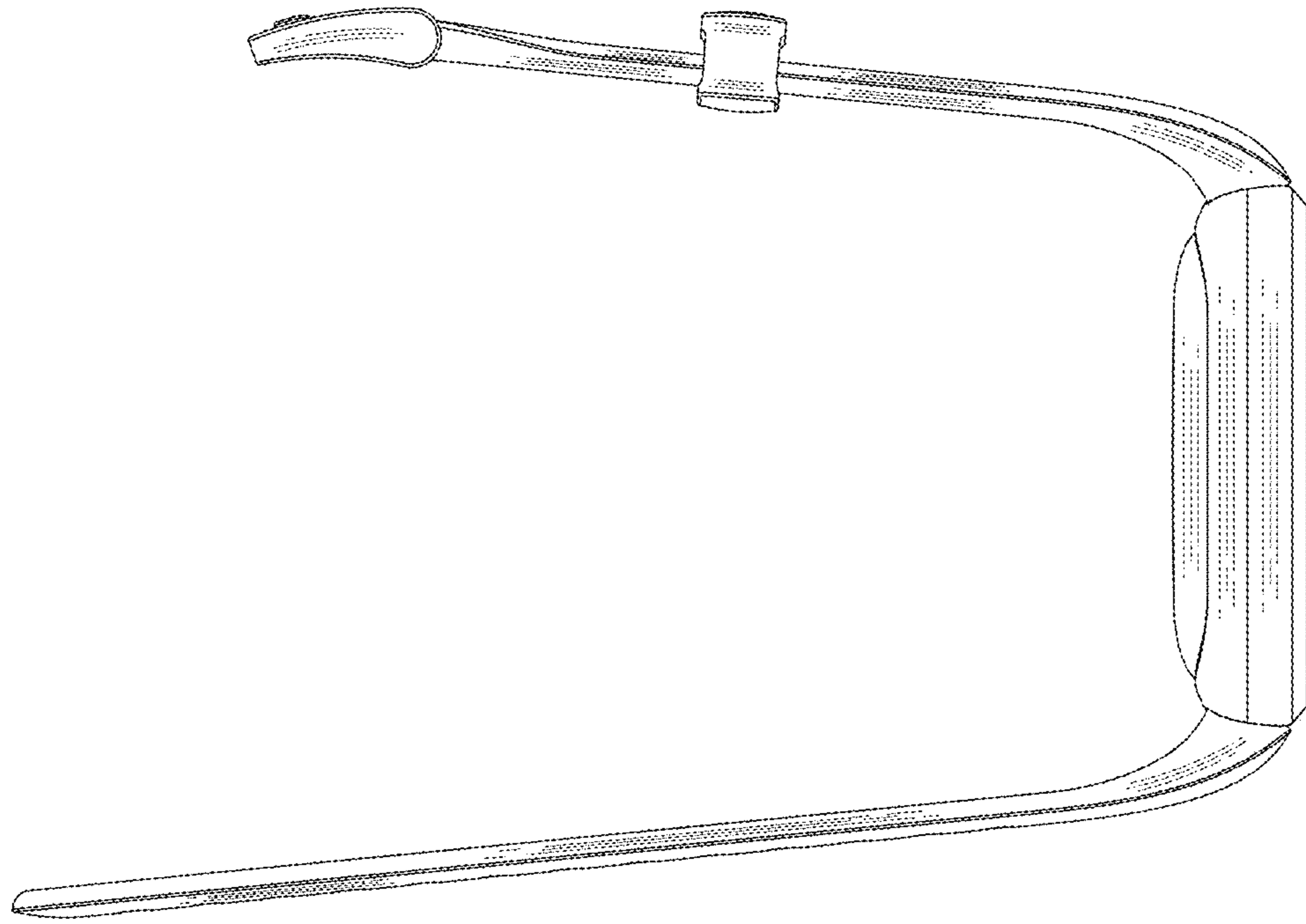


FIG. 4

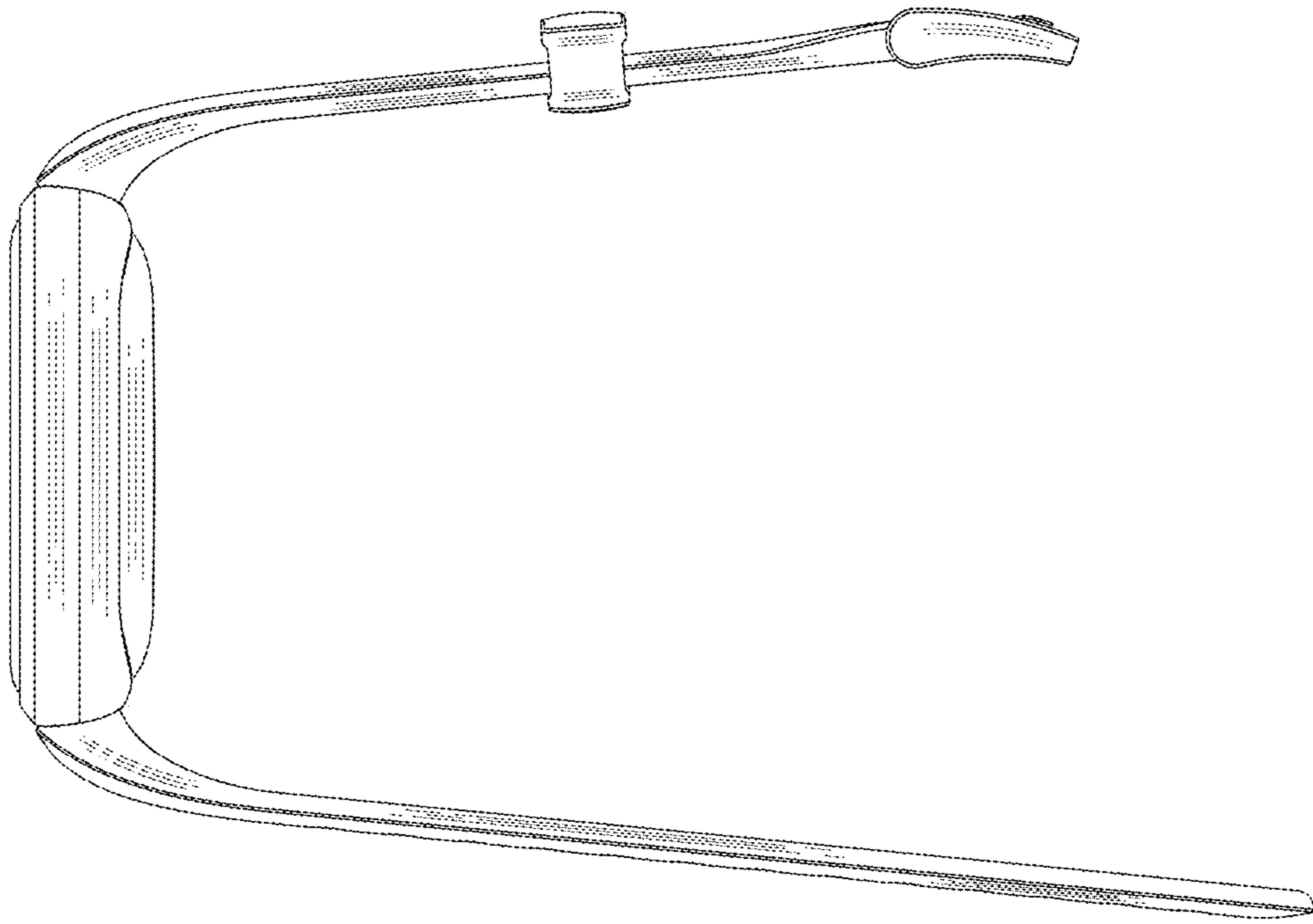


FIG. 5

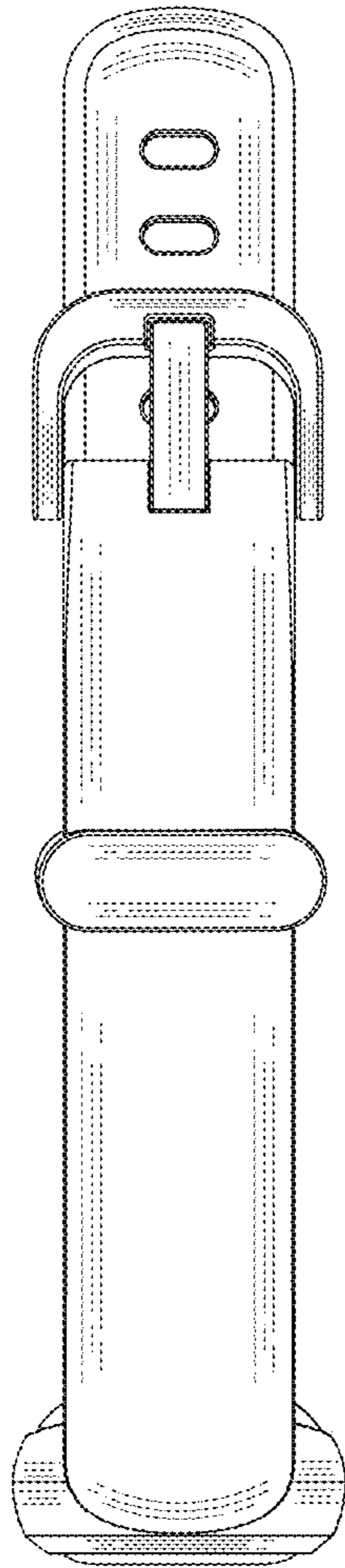


FIG. 6

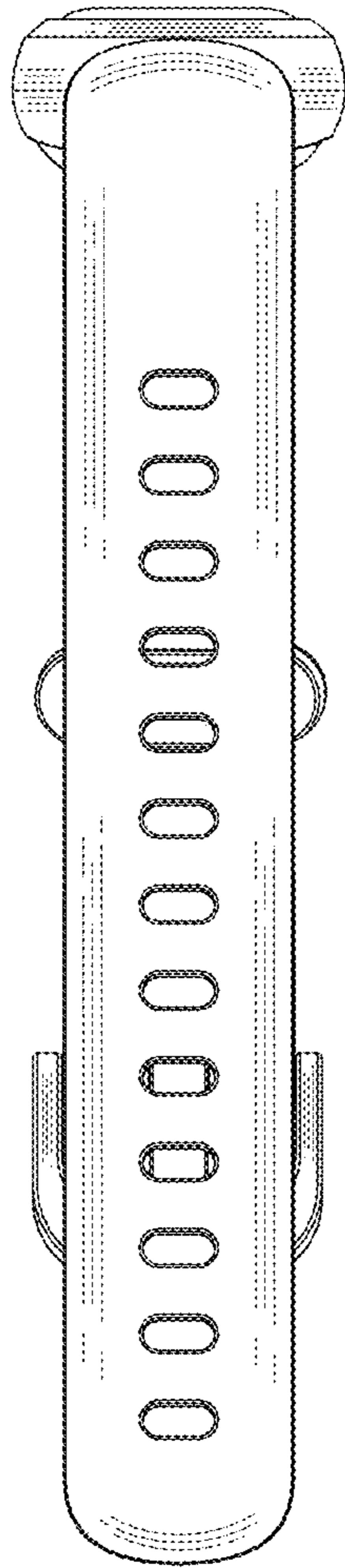


FIG. 7

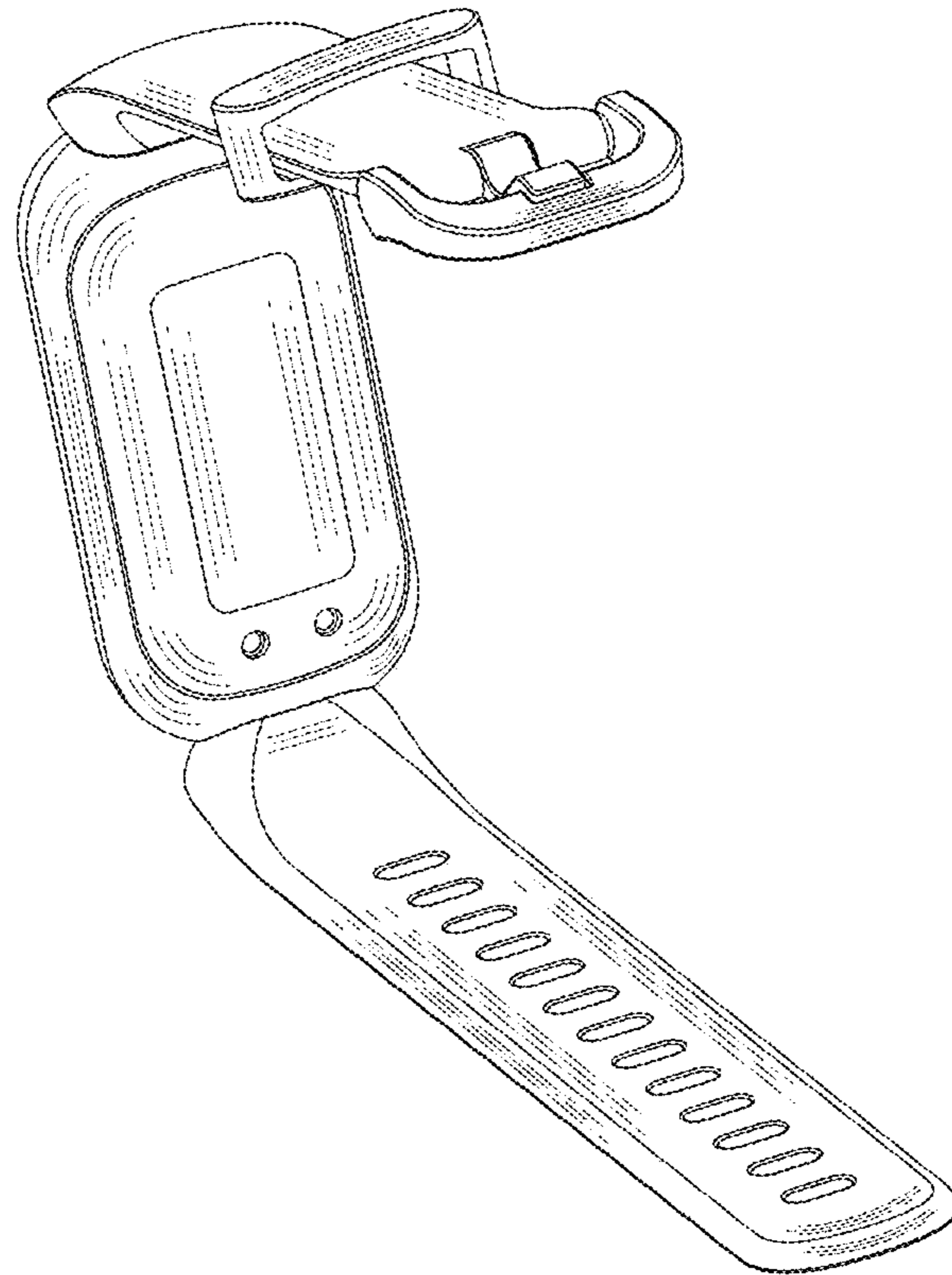


FIG. 8