



US00D966906S

(12) **United States Design Patent**
Qiu

(10) **Patent No.:** **US D966,906 S**

(45) **Date of Patent:** **** Oct. 18, 2022**

(54) **ELECTRONIC CLOCK**

D909,891 S * 2/2021 Gibbens, Jr. D10/15
D914,519 S * 3/2021 Yu D10/15
D927,322 S * 8/2021 Zou D10/15

(71) Applicant: **Yuxin Qiu**, Guangxi (CN)

(72) Inventor: **Yuxin Qiu**, Guangxi (CN)

(*) Notice: Patent file contains an affidavit/declaration under 37 CFR 1.130(b).

(**) Term: **15 Years**

(21) Appl. No.: **29/756,058**

(22) Filed: **Oct. 26, 2020**

(51) **LOC (13) Cl.** **10-01**

(52) **U.S. Cl.**
USPC **D10/15**

(58) **Field of Classification Search**
USPC D10/1-5, 15, 22-27, 52-53;
D14/170-172, 188; D26/52, 54
CPC G04G 17/00; G04G 17/005; G04G 17/08;
G04G 17/083; G04G 21/02; G04G
21/025

See application file for complete search history.

(56) **References Cited**

U.S. PATENT DOCUMENTS

D239,464 S * 4/1976 Imai D10/15
D320,353 S * 10/1991 Ilaria D10/26
D475,635 S * 6/2003 Kiu D10/15
D476,579 S * 7/2003 Harris D10/18
D481,641 S * 11/2003 Kibiloski D10/15
D481,958 S * 11/2003 Kibiloski D10/15
D531,520 S * 11/2006 Joachim D10/2
D552,075 S * 10/2007 Zeitman D10/2
D590,273 S * 4/2009 Petersen D10/15
D710,715 S * 8/2014 Bianco D10/41
D885,203 S * 5/2020 Chen D10/15

OTHER PUBLICATIONS

ZeitHalter Small LED Digital Alarm Clock with Nightlight | amazon.com; date first available Aug. 27, 2019 [online]. © 1996-2022, Amazon.com, Inc [retrieved Feb. 11, 2022] from Internet: <https://www.amazon.com/Senicare-Nightlight-Brightness-Charging-Bedrooms/dp/B07X2SF4BM>S (Year: 2019).*

RCA Alarm Clock Red Display | amazon.com.au; date first available Feb. 2017 [online]. © 1996-2022, Amazon.com, Inc [retrieved Feb. 10, 2022] from Internet: <https://www.amazon.com.au/Alarm-Clock-0-4m-Red-Display/dp/B007TOW5CA> (Year: 2017).*

* cited by examiner

Primary Examiner — Katherine Glennon

(57) **CLAIM**

The ornamental design for an electronic clock, as shown and described.

DESCRIPTION

FIG. 1 is a perspective view of an electronic clock showing my new design;

FIG. 2 is a front elevational view thereof;

FIG. 3 is a rear elevational view thereof;

FIG. 4 is a left side elevational view thereof;

FIG. 5 is a right side elevational view thereof;

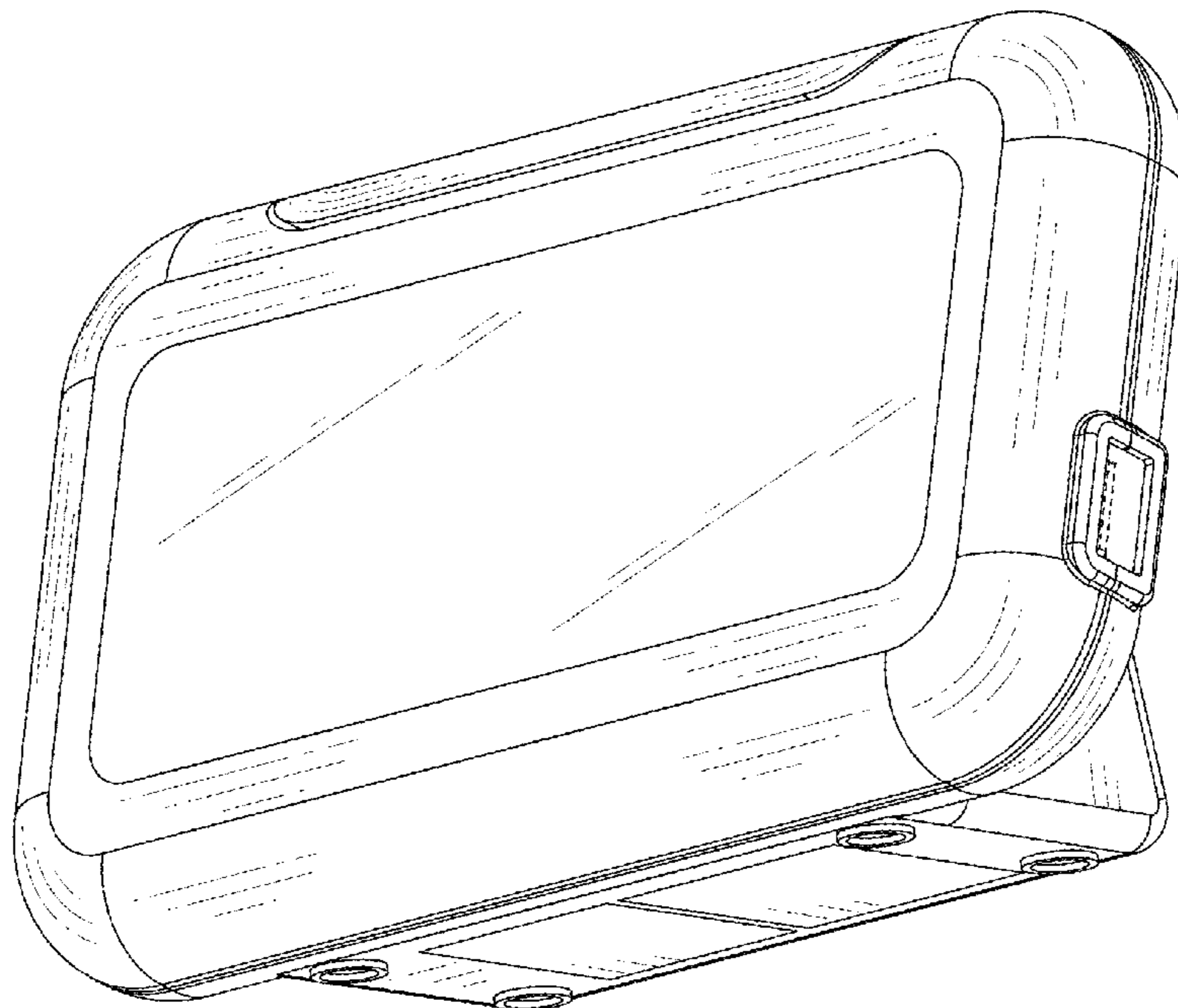
FIG. 6 is a top plan view thereof;

FIG. 7 is a bottom plan view thereof; and,

FIG. 8 is another perspective view thereof.

The broken lines throughout the drawing figures depict portions of the electronic clock that form no part of the claimed design.

1 Claim, 8 Drawing Sheets



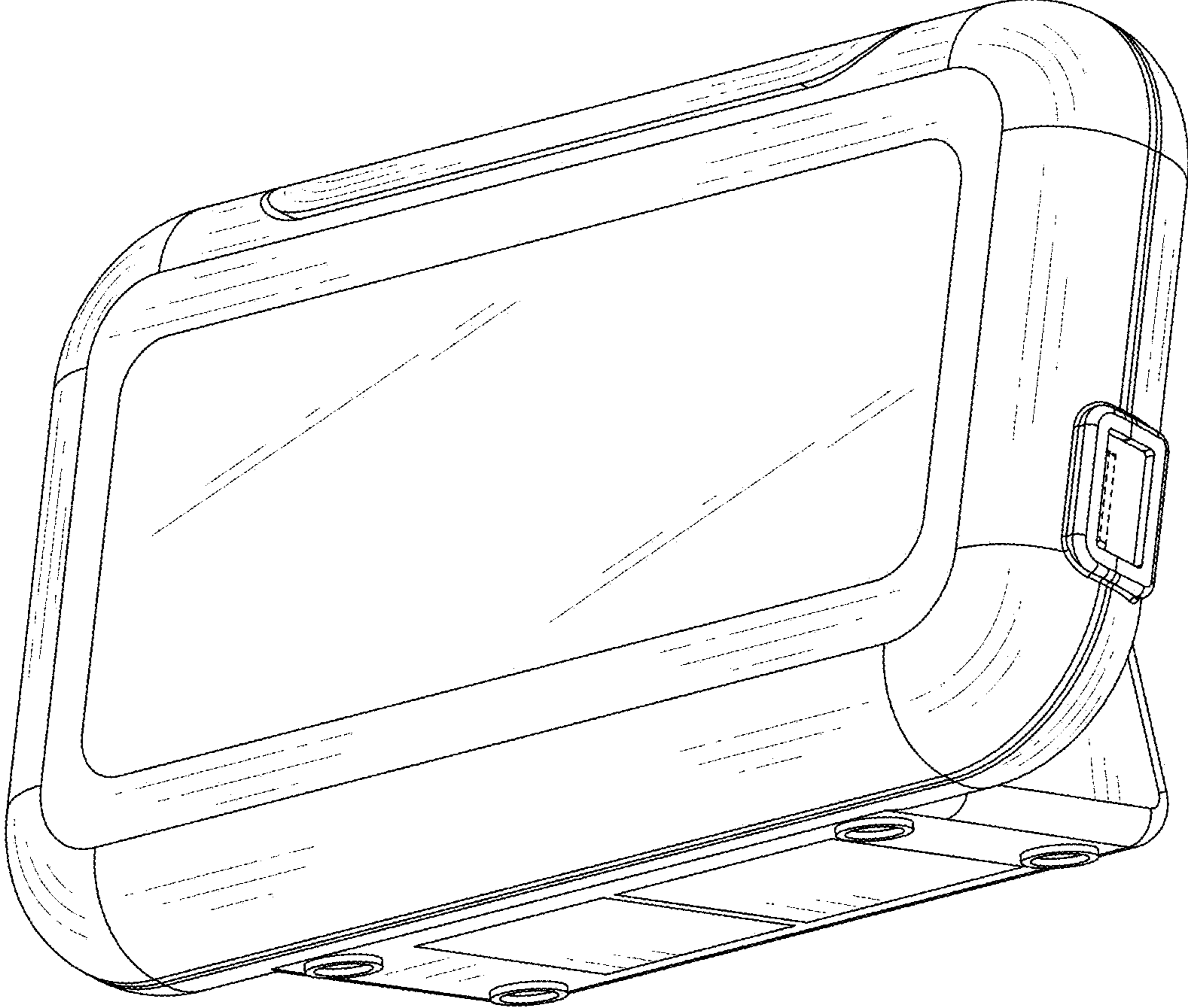


FIG.1

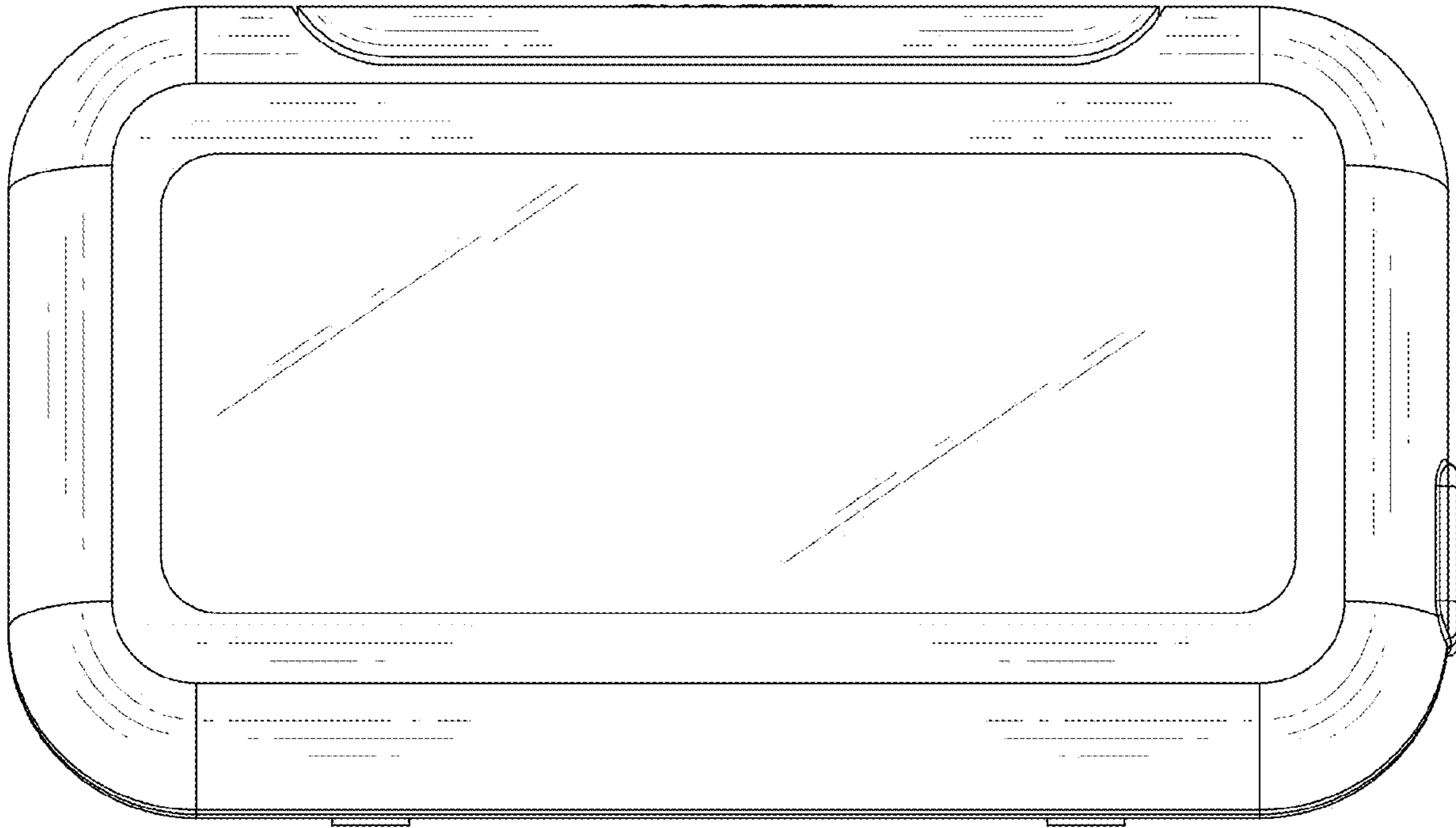


FIG.2

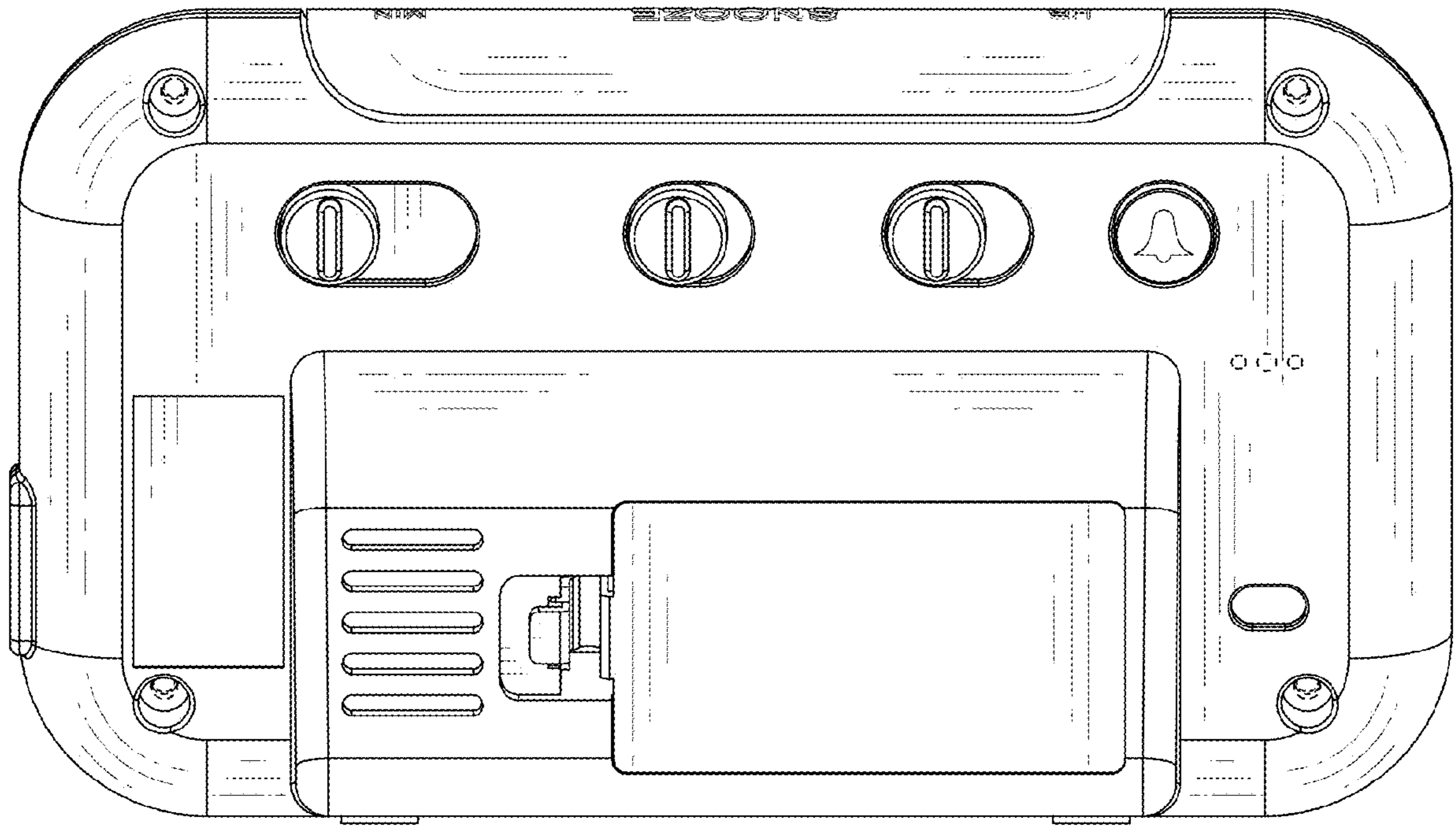


FIG.3

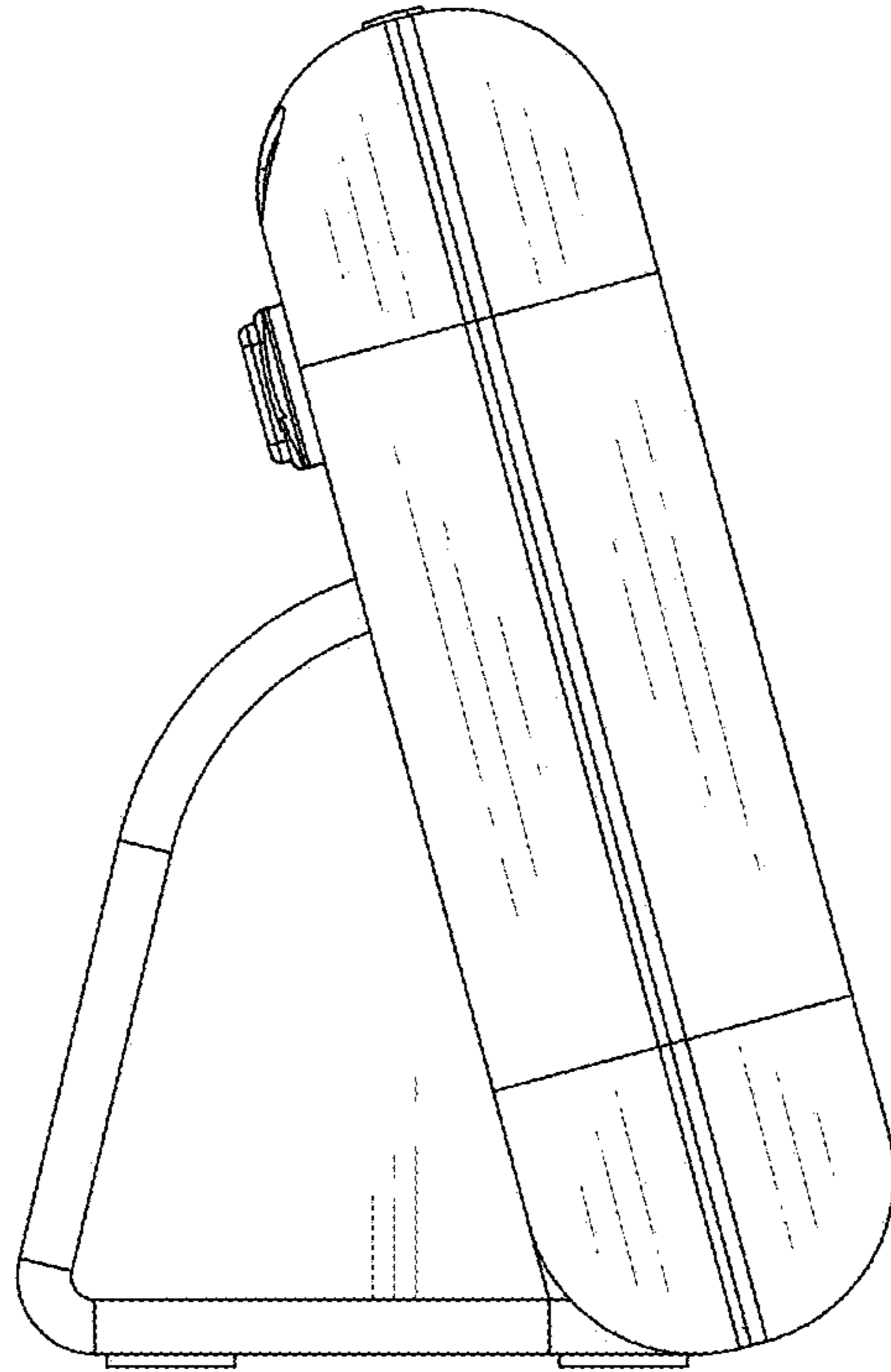


FIG.4

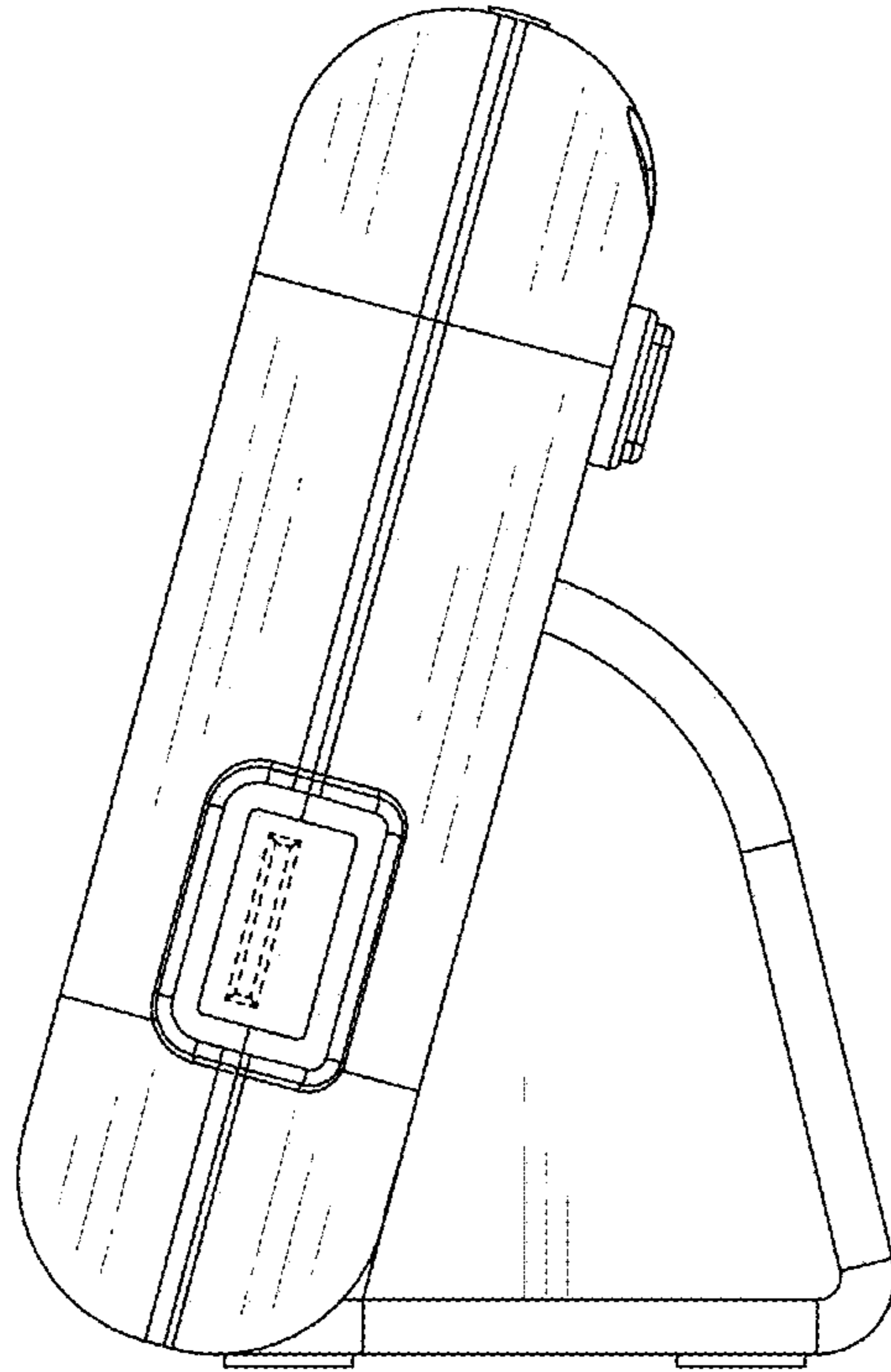


FIG.5

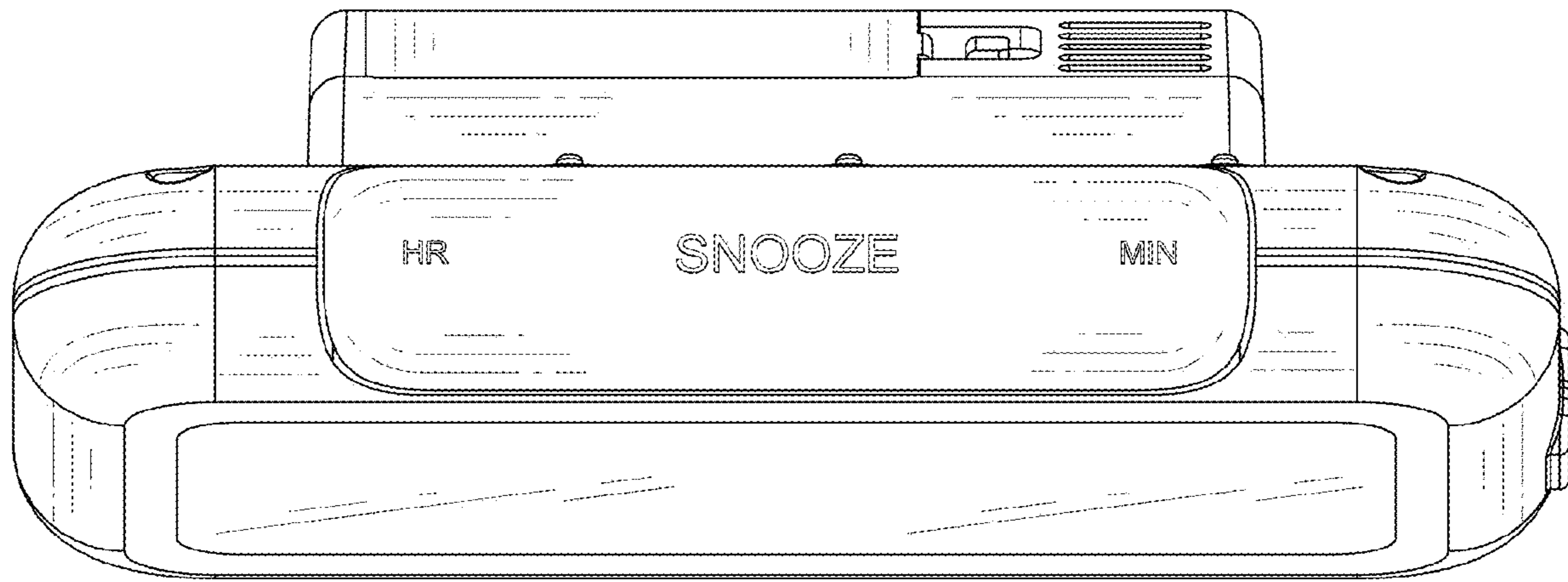


FIG.6

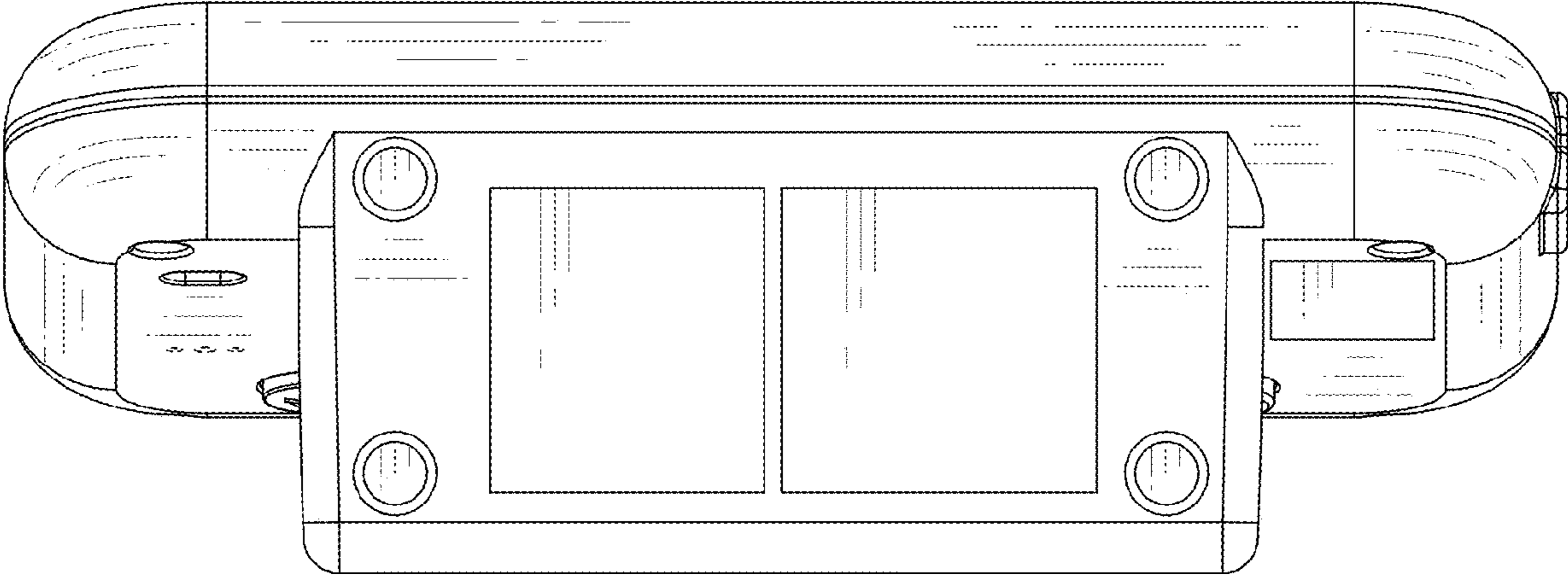


FIG.7

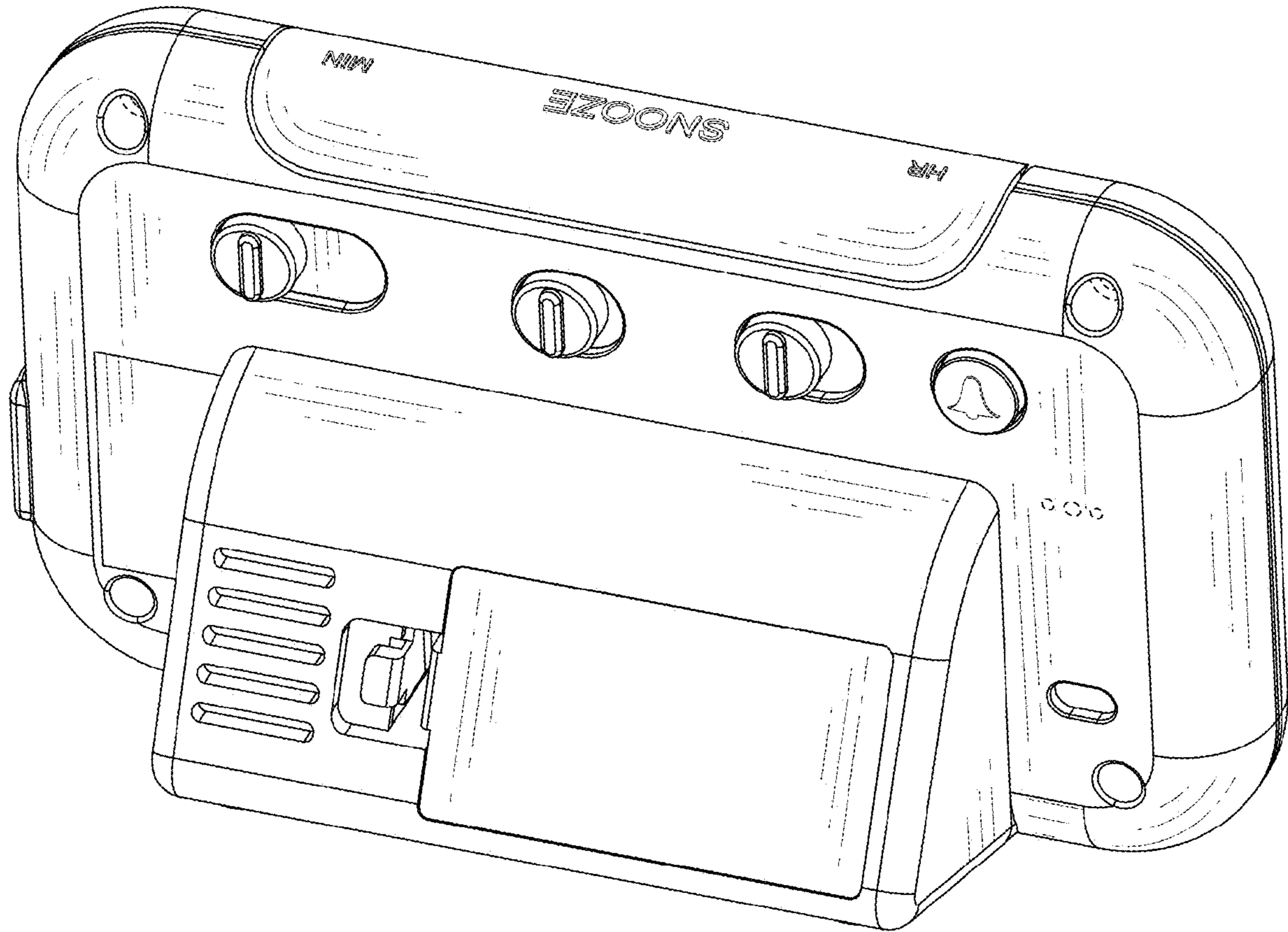


FIG.8