

US00D966905S

(12) **United States Design Patent** (10) **Patent No.:** **US D966,905 S**
Xie (45) **Date of Patent:** **** Oct. 18, 2022**

(54) **ELECTRONIC CLOCK**
(71) Applicant: **Hongrong Xie**, Guangxi (CN)
(72) Inventor: **Hongrong Xie**, Guangxi (CN)
(*) Notice: Patent file contains an affidavit/declaration under 37 CFR 1.130(b).
(**) Term: **15 Years**
(21) Appl. No.: **29/755,834**
(22) Filed: **Oct. 23, 2020**
(51) **LOC (13) Cl.** **10-01**
(52) **U.S. Cl.**
USPC **D10/15; D10/5; D14/171**
(58) **Field of Classification Search**
USPC D10/1-5, 15, 22-23, 28-29;
D14/170-172, 188; D26/52-53;
D24/210
CPC G04G 17/00; G04G 17/005; G04G 17/08;
G04G 17/083; G04G 21/02; G04G
21/025
See application file for complete search history.

D939,749 S * 12/2021 Zhao D24/210
2010/0232261 A1* 9/2010 Suen G04G 11/00
368/256
2021/0304744 A1* 9/2021 Pawar H04R 1/028

FOREIGN PATENT DOCUMENTS

CN 305660139 * 3/2020

OTHER PUBLICATIONS

ZeitHalter Kids Digital Alarm Clock | amazon.com; date first available Aug. 24, 2020 [online]. © 1996-2022, Amazon.com, Inc [retrieved Feb. 11, 2022] from Internet: <https://www.amazon.com/ZEITHALTER-Digital-Ringing-Bedroom-Electric/dp/B08GKLMJQH?ref_ast_sto_dp> (Year: 2020).*

* cited by examiner

Primary Examiner — Katherine Glennon

(57) **CLAIM**

The ornamental design for an electronic clock, as shown and described.

DESCRIPTION

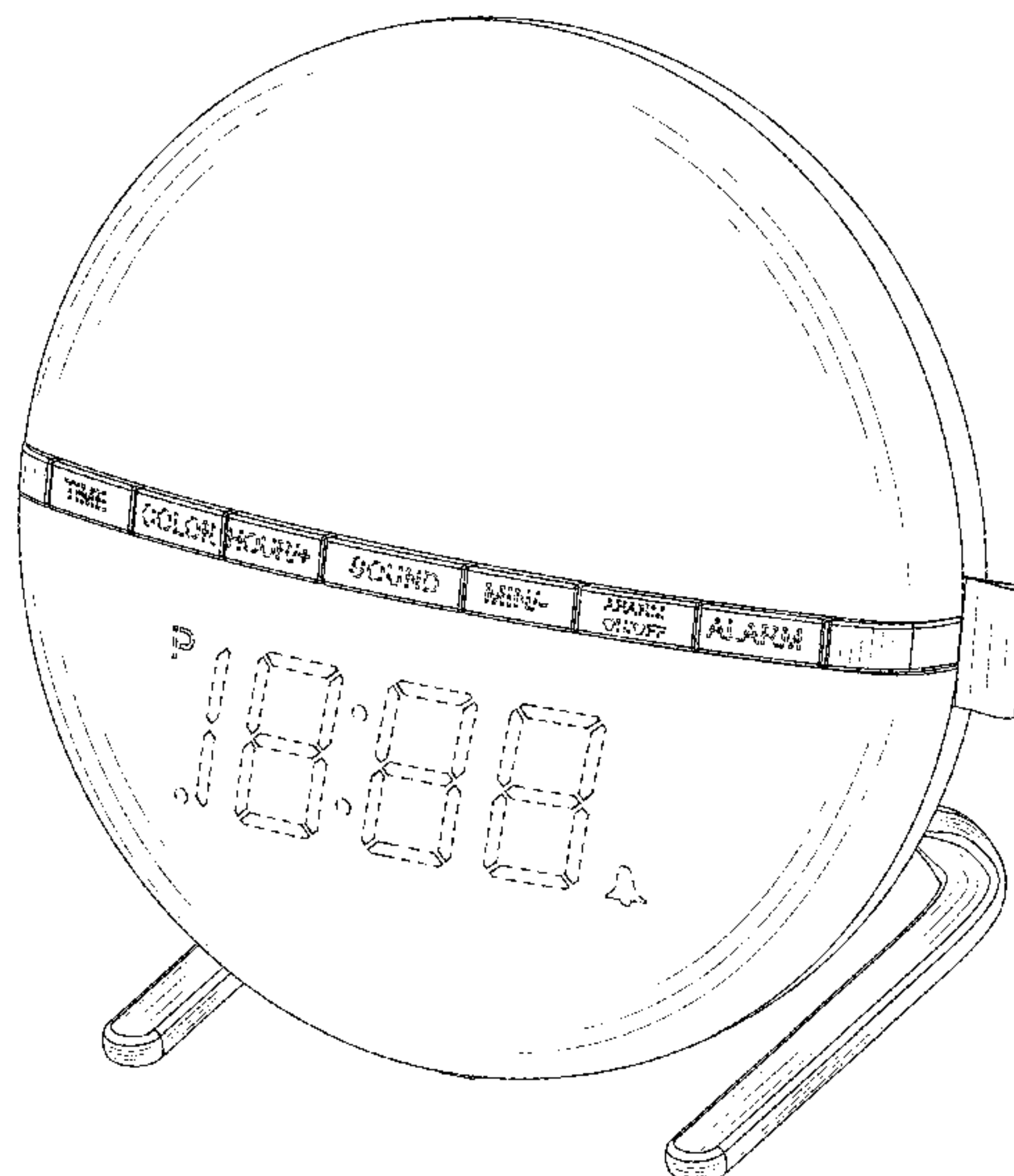
FIG. 1 is a perspective view of an electronic clock showing my new design;
FIG. 2 is a front elevational view thereof;
FIG. 3 is a rear elevational view thereof;
FIG. 4 is a left side elevational view thereof;
FIG. 5 is a right side elevational view thereof;
FIG. 6 is a top plan view thereof;
FIG. 7 is a bottom plan view thereof; and,
FIG. 8 is another perspective view thereof.
The broken lines throughout the drawing figures depict portions of the electronic clock that form no part of the claimed design.

1 Claim, 8 Drawing Sheets

(56) **References Cited**

U.S. PATENT DOCUMENTS

D478,890 S * 8/2003 Ng D14/170
D585,766 S * 2/2009 Fernie D10/15
D596,506 S * 7/2009 Fernie D10/23
D613,952 S * 4/2010 Yang D6/309
D690,455 S * 9/2013 Hagenauer D26/93
D739,592 S * 9/2015 Hagenauer D26/106
D756,326 S * 5/2016 Holzer D14/171
D821,890 S * 7/2018 Jin D10/2
D844,457 S * 4/2019 Zhong D10/23
D859,679 S * 9/2019 Xu D24/210
D868,985 S * 12/2019 Xu D24/210
D878,323 S * 3/2020 Guo D10/15
D908,510 S * 1/2021 Wu D10/22
D911,539 S * 2/2021 Li D24/210
D933,040 S * 10/2021 Lin D14/204



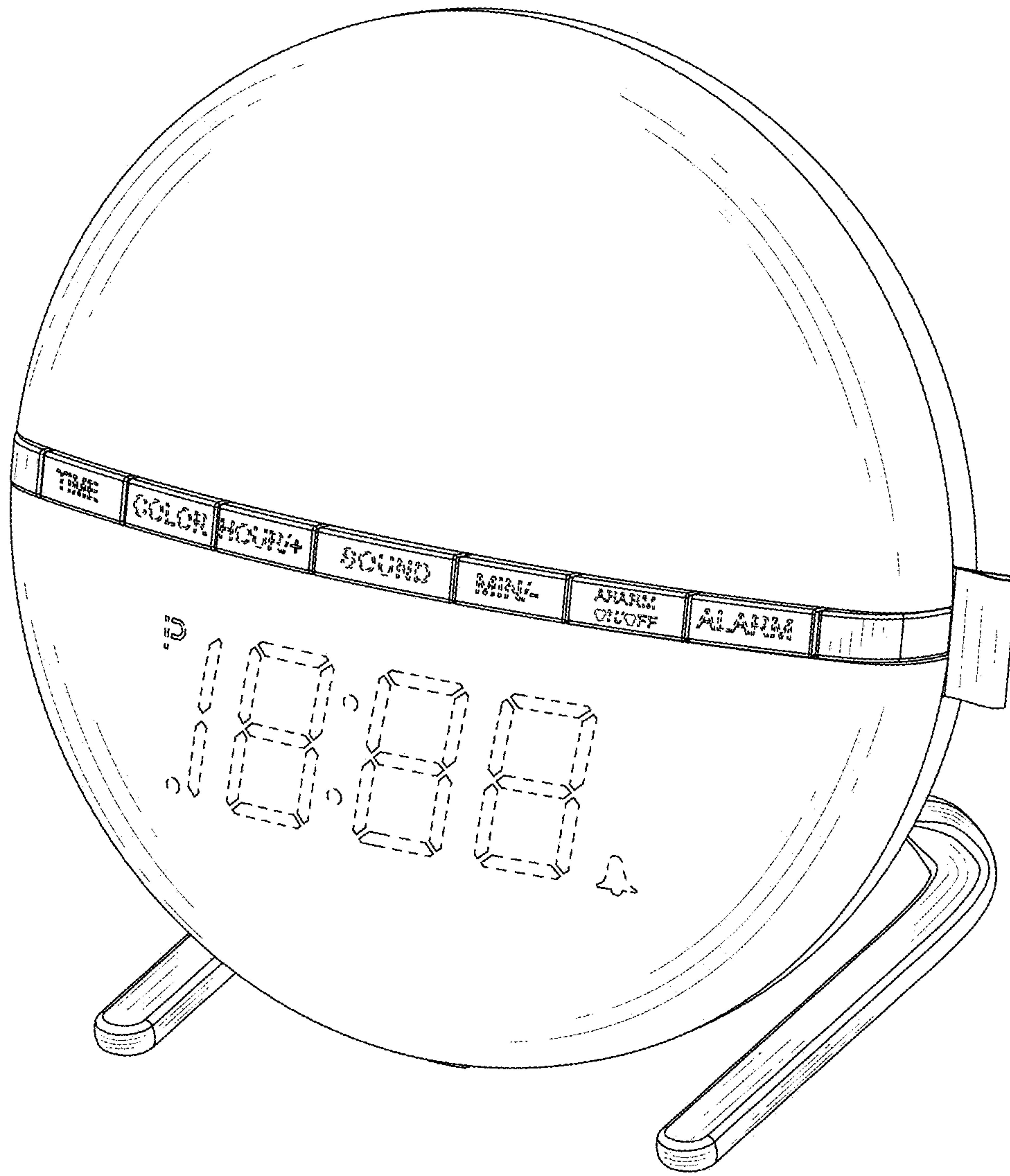


FIG.1

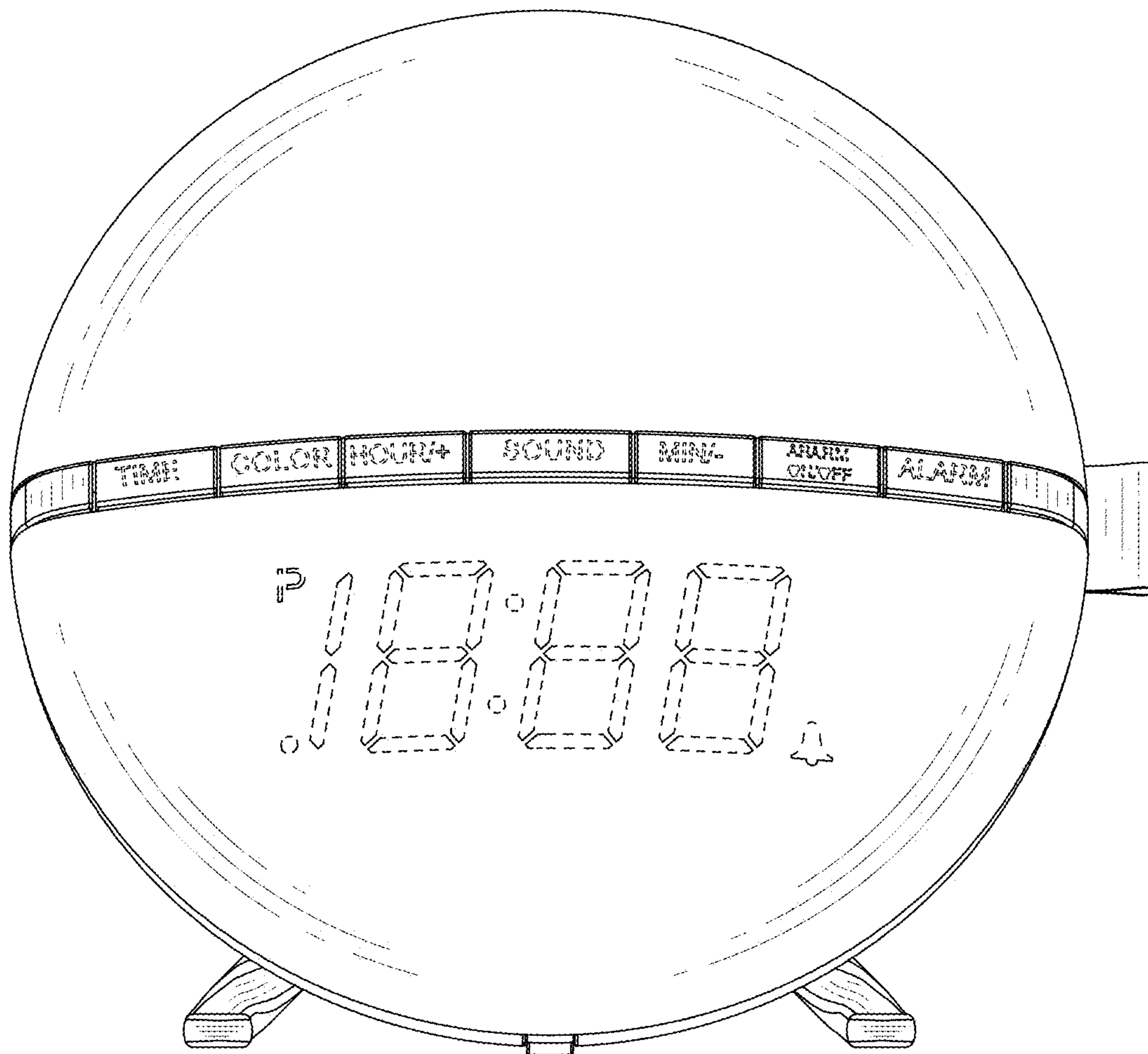


FIG.2

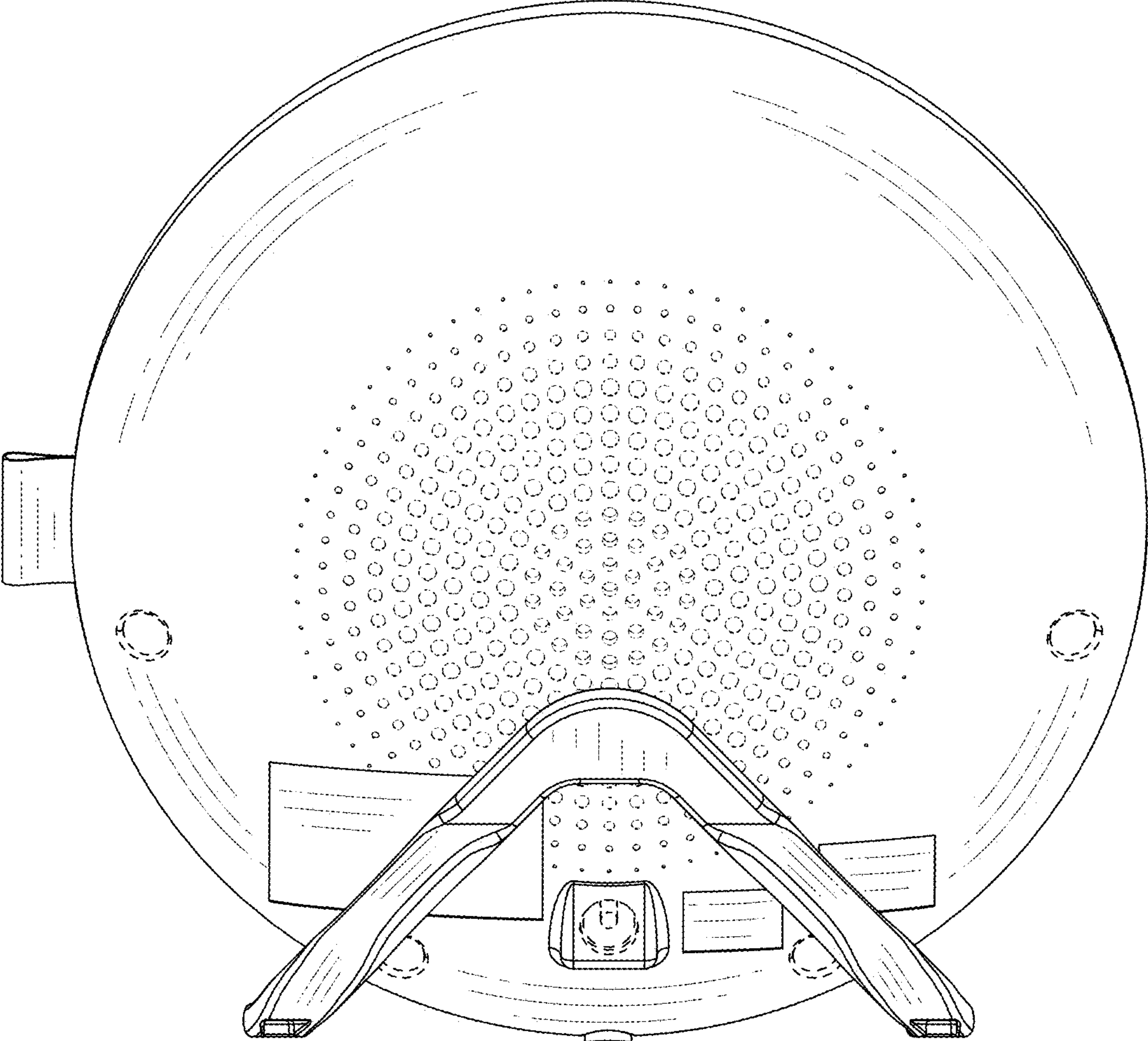


FIG.3

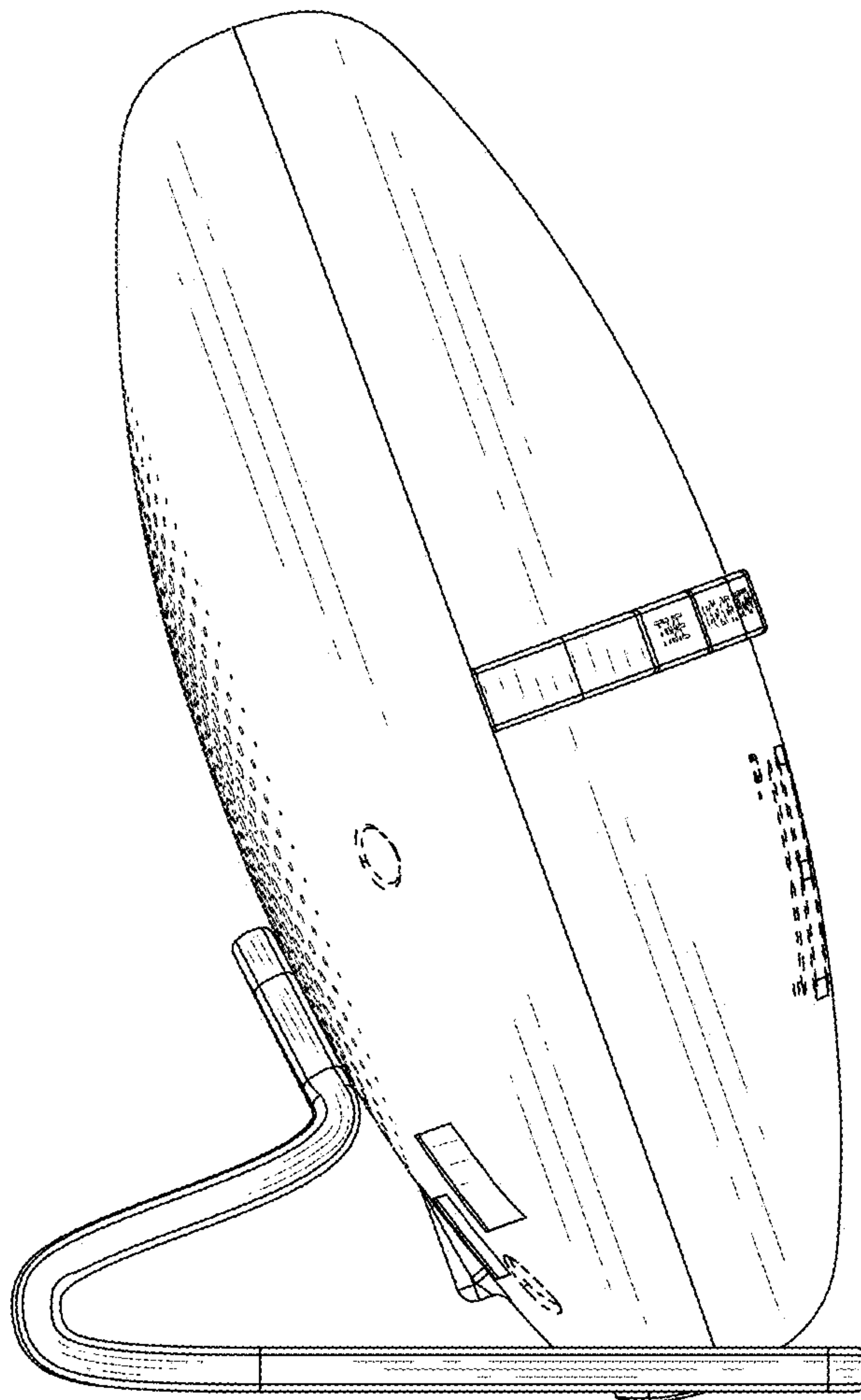


FIG.4

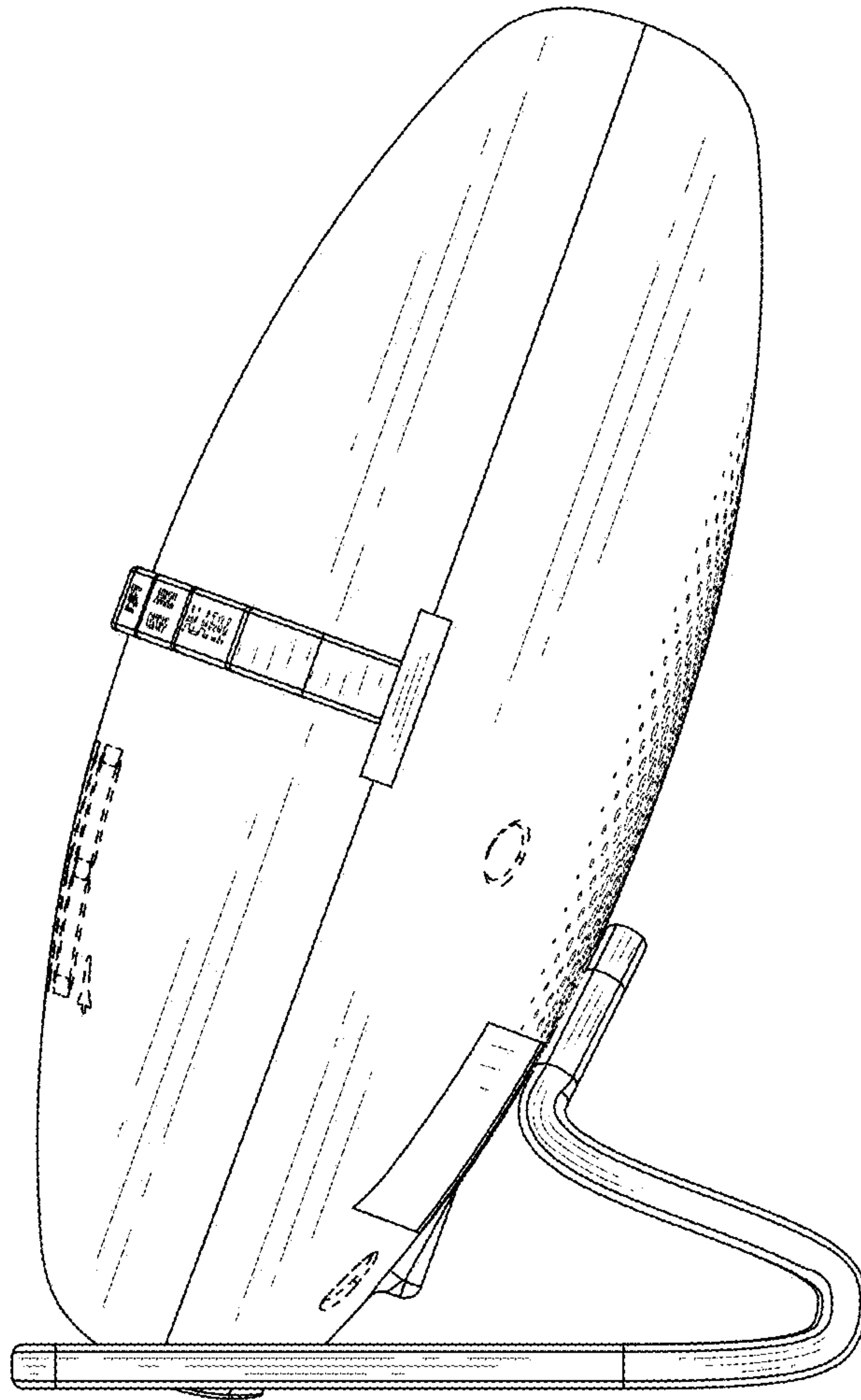


FIG.5

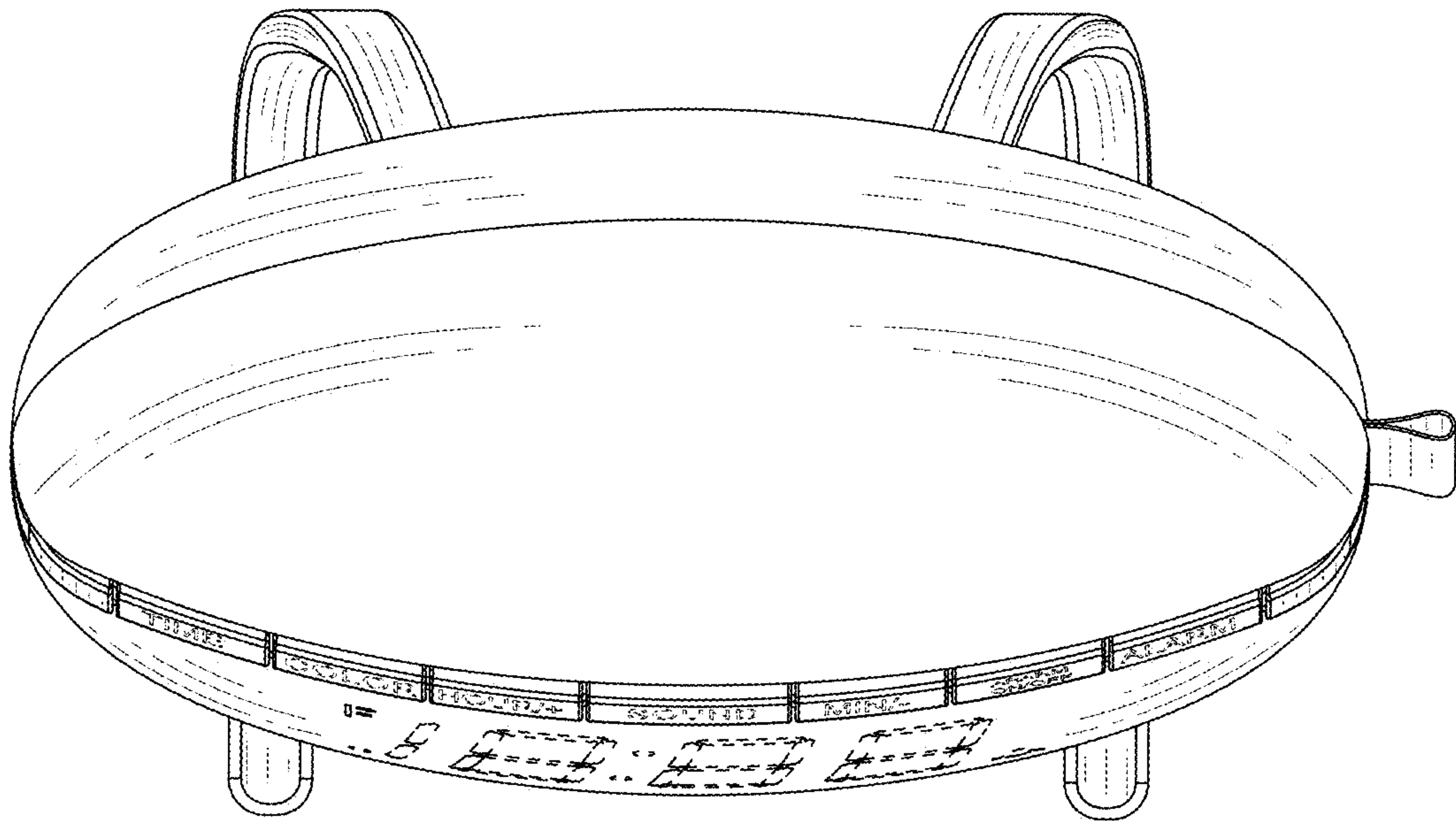


FIG.6

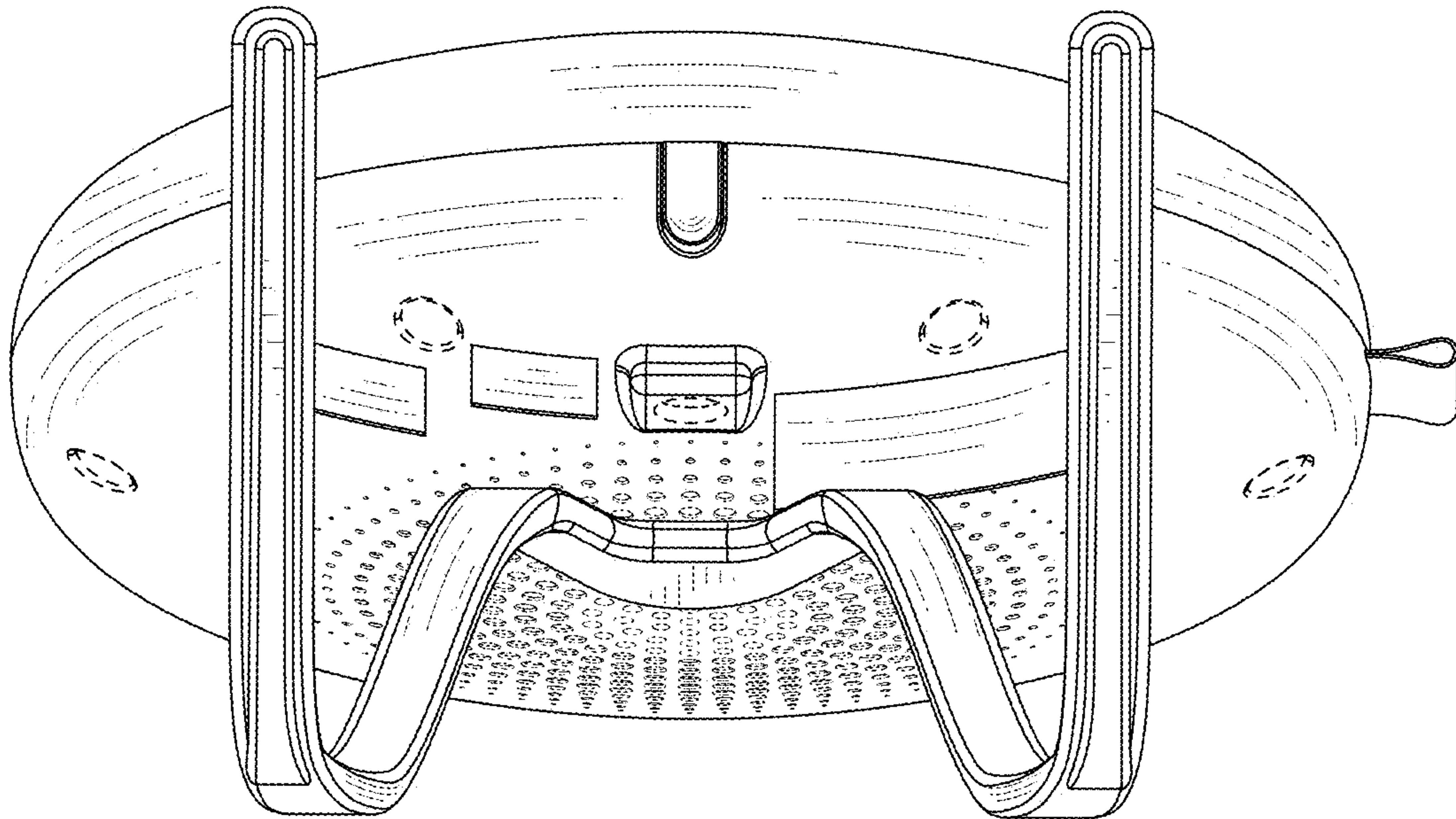


FIG.7

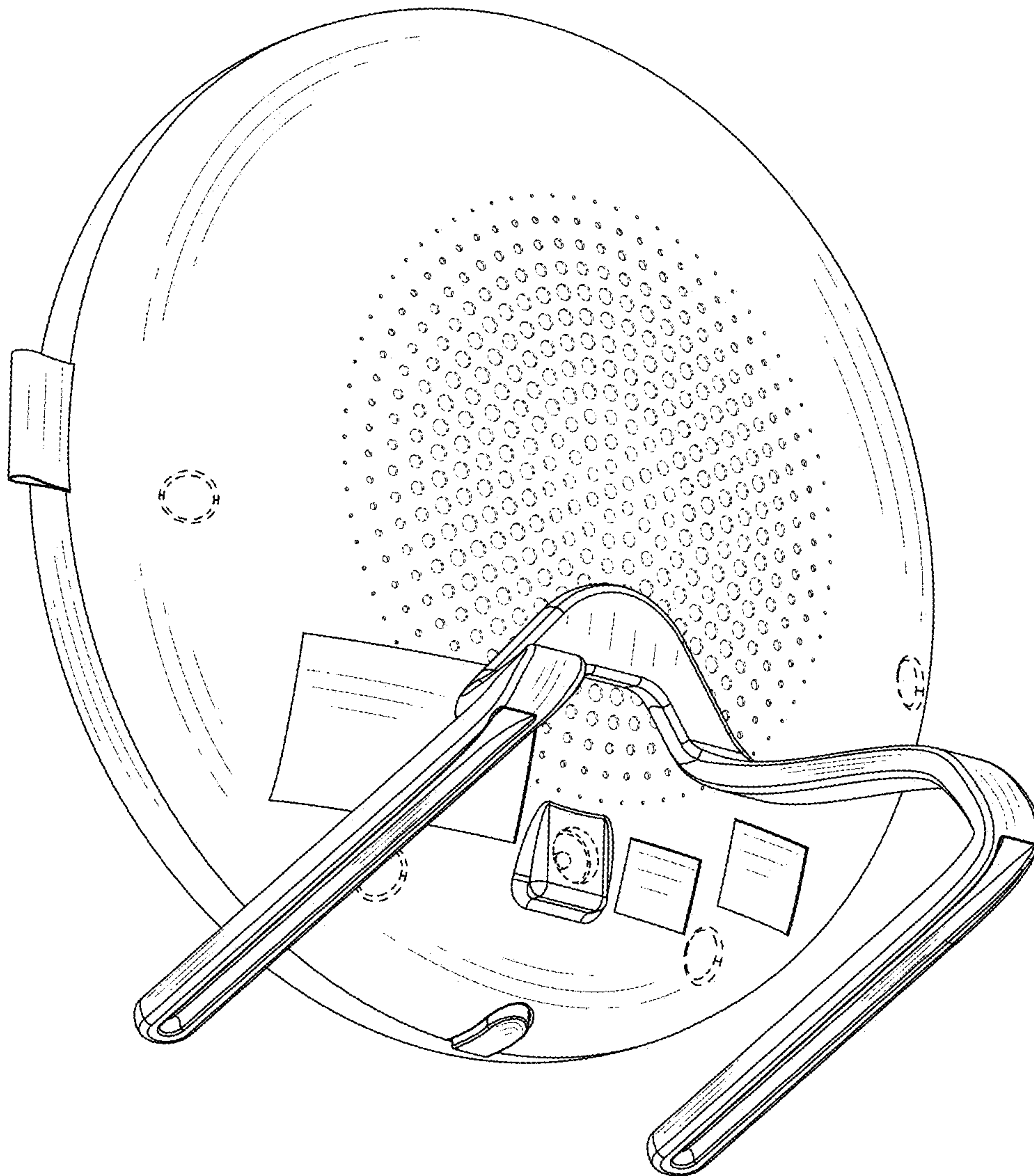


FIG.8