



US00D966904S

(12) **United States Design Patent**  
**Bergeron et al.**

(10) **Patent No.:** **US D966,904 S**  
(45) **Date of Patent:** **\*\* Oct. 18, 2022**

(54) **EGG CARTON WITH BUBBLE CELL  
POCKETS**

(71) Applicant: **Tekni-Plex, Inc.**, Wayne, PA (US)

(72) Inventors: **Mark A Bergeron**, Monroe, GA (US);  
**Babu Kuruvilla**, Griffin, GA (US);  
**Roger Lichtle**, Decatur, IN (US)

(73) Assignee: **Tekni-Plex, Inc.**, Wayne, PA (US)

(\*\*) Term: **15 Years**

(21) Appl. No.: **29/661,070**

(22) Filed: **Aug. 24, 2018**

(51) **LOC (13) Cl.** ..... **09-03**

(52) **U.S. Cl.**  
USPC ..... **D9/757**; D9/762

(58) **Field of Classification Search**  
USPC ..... D9/762, 757, 737, 761, 420-426, 432,  
D9/418, 415, 501, 72, 739, 742, 753, 756,  
D9/741, 721; D7/611, 550.1, 605, 701,  
D7/553.1, 553.2, 614; D3/313, 304, 311,  
D3/314, 315; D11/143, 155, 156;  
D24/227

CPC ..... B65D 5/5495; B65D 85/1072; B65D  
5/5253; B65D 85/1063; B65D 5/0085;  
B65D 21/0204; B65D 5/427; B65D  
21/0201; B65D 5/009; B65D 77/006;  
B65D 85/324; B65D 85/32; B65D 71/70;  
B65D 85/322; B65D 25/04

See application file for complete search history.

(56) **References Cited**

**U.S. PATENT DOCUMENTS**

2,662,659 A 12/1953 Dudley Putnam  
2,939,602 A 6/1960 Grant  
2,974,842 A \* 3/1961 Reifers ..... B65D 85/324  
206/521.1

3,028,065 A \* 4/1962 Reifers ..... B65D 85/324  
206/521.1  
3,034,693 A \* 5/1962 Cox ..... B65D 85/324  
206/521.8  
3,123,519 A 3/1964 Reifers  
3,207,409 A 9/1965 Reifers  
3,223,306 A 12/1965 Alsmann  
3,234,077 A \* 2/1966 Reifers ..... D21J 5/00  
162/223  
3,326,443 A 6/1967 Burkett  
3,362,605 A \* 1/1968 Bixler ..... B65D 85/324  
206/521.1  
3,567,107 A 3/1971 Artz  
3,643,855 A 2/1972 Donaldson  
3,688,971 A \* 9/1972 Phillips ..... B65D 85/324  
206/521.2

(Continued)

**OTHER PUBLICATIONS**

Notice of Allowance and Fee(s) Due in U.S. Appl. No. 29/661,072  
dated Jun. 12, 2020.

(Continued)

*Primary Examiner* — W. A. Teddy Falloway  
(74) *Attorney, Agent, or Firm* — Polsinelli, P.C.

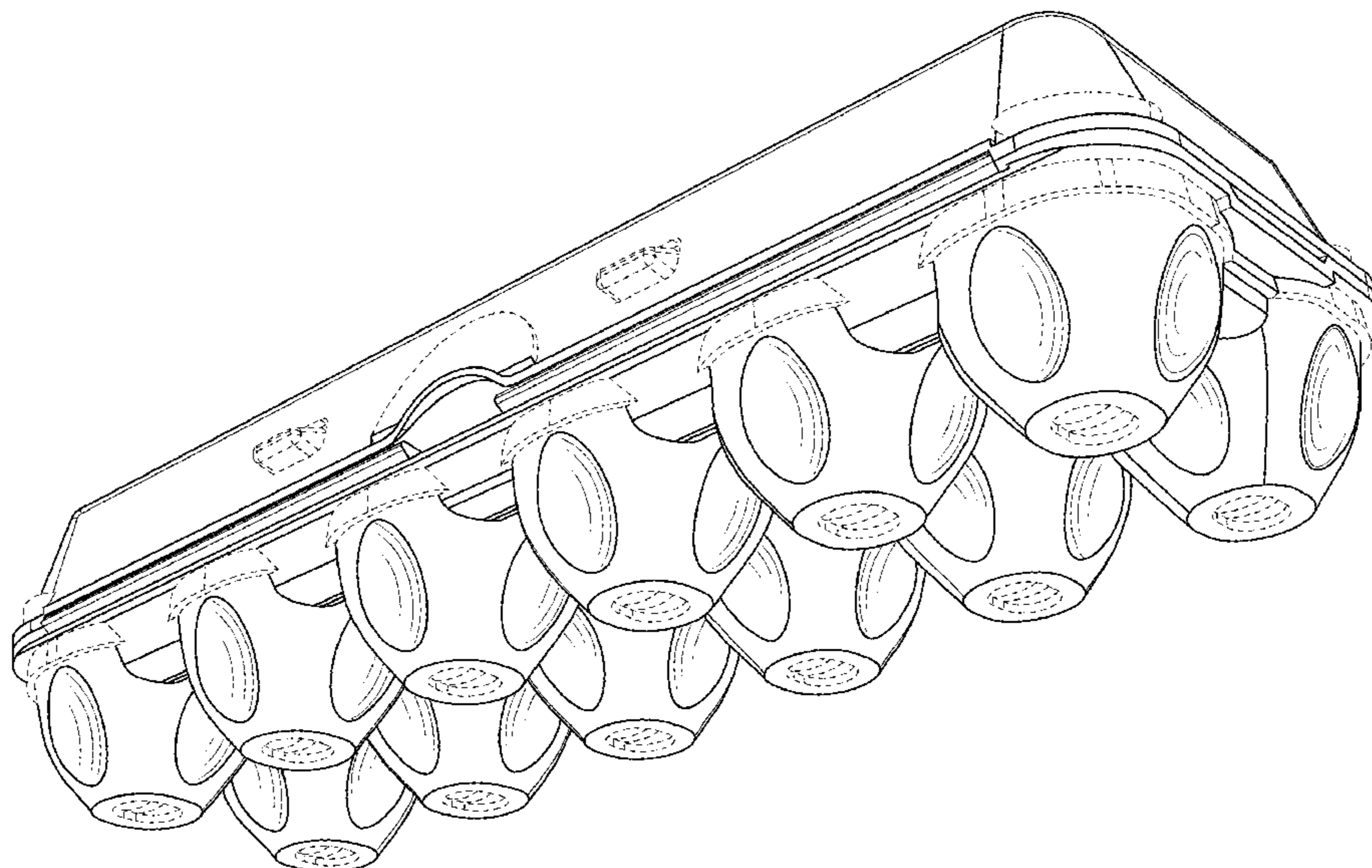
(57) **CLAIM**

The ornamental design for an egg carton with bubble cell  
pockets, as shown and described.

**DESCRIPTION**

FIG. 1 is a bottom perspective view of an egg carton with  
bubble cell pockets;  
FIG. 2 is a front elevational view thereof;  
FIG. 3 is a rear elevational view thereof;  
FIG. 4 is a right side elevational view thereof, the left side  
elevational view being a mirror image thereof; and,  
FIG. 5 is a bottom plan view thereof.  
The broken lines illustrate portions of the egg carton with  
bubble cell pockets and form no part of the claimed design.

**1 Claim, 3 Drawing Sheets**



(56)

**References Cited**

U.S. PATENT DOCUMENTS

3,741,461	A *	6/1973	Hassing-Hansen .....	
				B65D 85/324
				206/521.1
3,767,103	A *	10/1973	Reifers .....	B65D 85/324
				206/521.1
3,817,441	A *	6/1974	Jackson .....	B65D 85/324
				206/521.8
3,865,299	A *	2/1975	Crabtree .....	B65D 85/324
				206/521.1
4,025,038	A	5/1977	Reifers et al.	
4,059,219	A *	11/1977	Reifers .....	B65D 85/324
				206/521.1
4,355,731	A	10/1982	Carroll	
4,394,214	A	7/1983	Bixler	
D273,844	S	5/1984	Bixler	
D274,790	S	7/1984	Bixler	
4,465,225	A	8/1984	Bixler	
4,492,331	A	1/1985	Bixler	
4,795,080	A	1/1989	McIntyre	
6,012,583	A	1/2000	Ramirez	
D447,684	S *	9/2001	Hogman .....	D9/757

D484,796	S *	1/2004	Buckley .....	D9/757
D632,974	S	2/2011	Dijkstra	
D656,843	S *	4/2012	Schleining .....	D9/757
8,999,415	B2	4/2015	Ramirez et al.	
9,340,349	B2	5/2016	Ramirez et al.	
D804,965	S *	12/2017	Schleining .....	D9/762
10,099,846	B2	10/2018	Ramirez et al.	
D894,758	S *	9/2020	Bergeron .....	D9/762
2005/0145529	A1	7/2005	Andrews	
2010/0072095	A1 *	3/2010	Salovaara .....	B65D 1/02
				206/427
2013/0048527	A1	2/2013	Ramirez	
2013/0048528	A1	2/2013	Ramirez	
2018/0273284	A1	9/2018	Bergeron et al.	
2019/0329968	A1	10/2019	Trent	
2020/0062494	A1	2/2020	Bergeron	
2021/0163198	A1 *	6/2021	Kuiper .....	B65D 65/42

OTHER PUBLICATIONS

Ex Parte Quayle Office Action in U.S. Appl. No. 29/661,072 dated Apr. 2, 2020.

\* cited by examiner

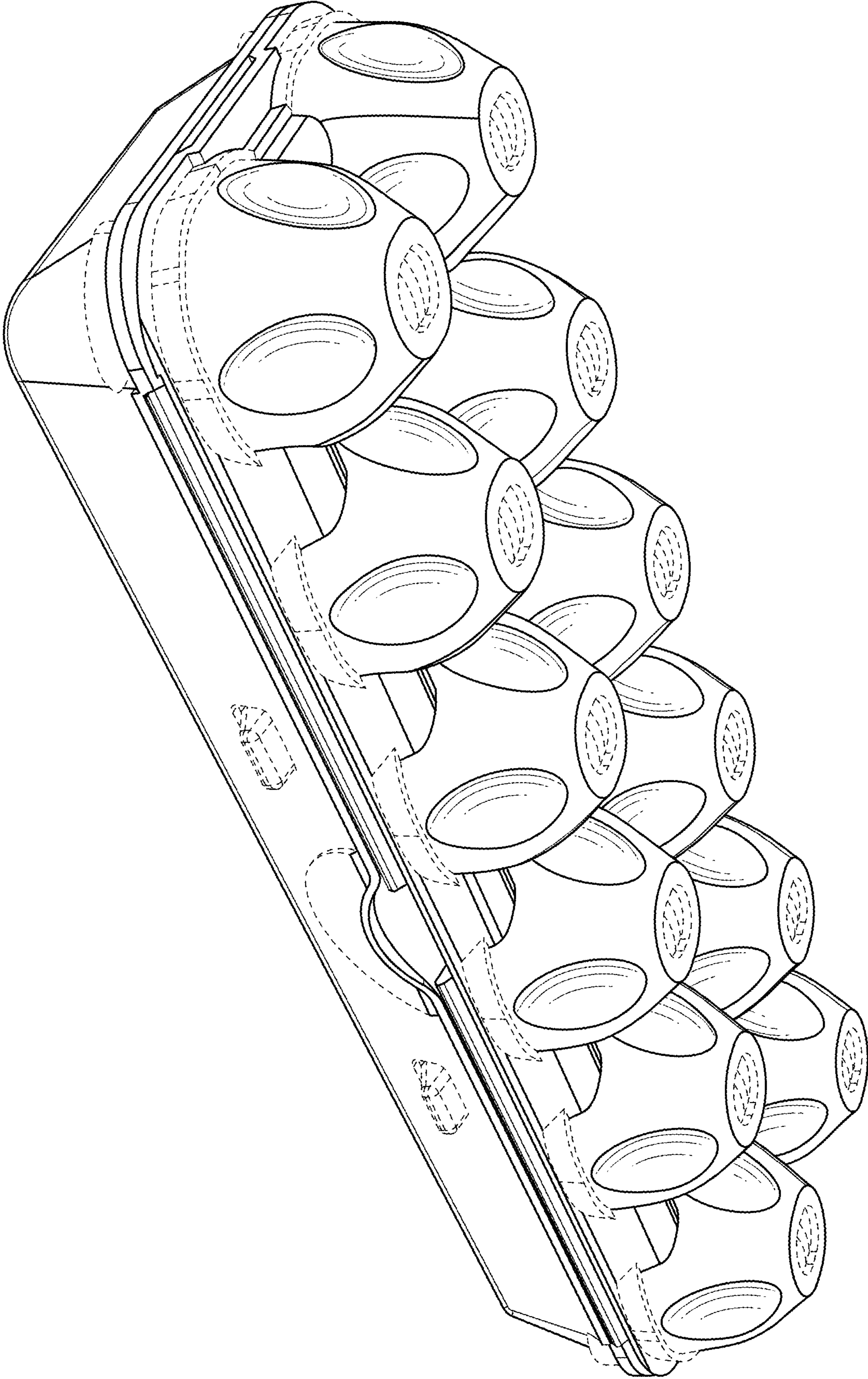


FIG. 1

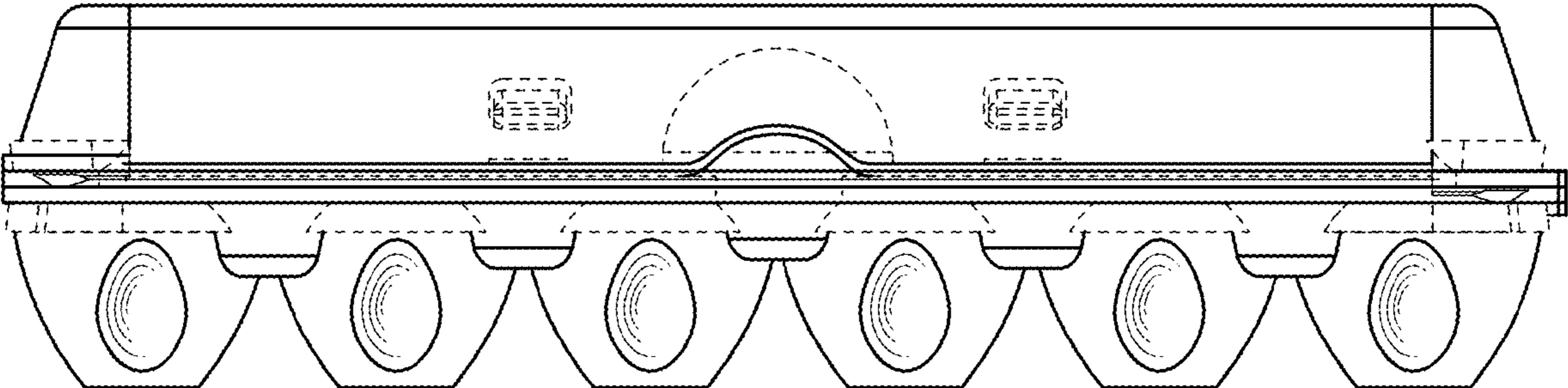


FIG. 2

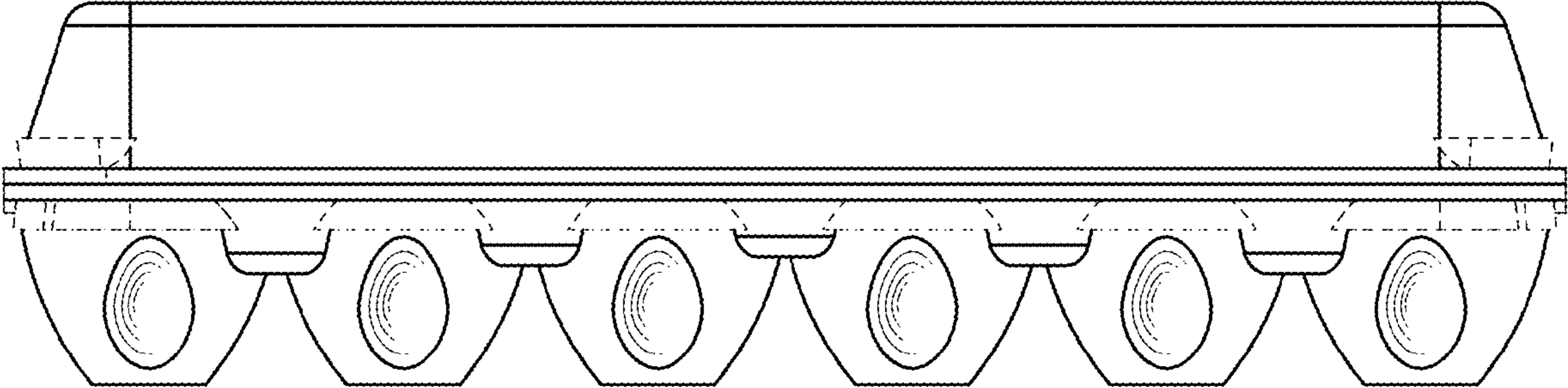


FIG. 3

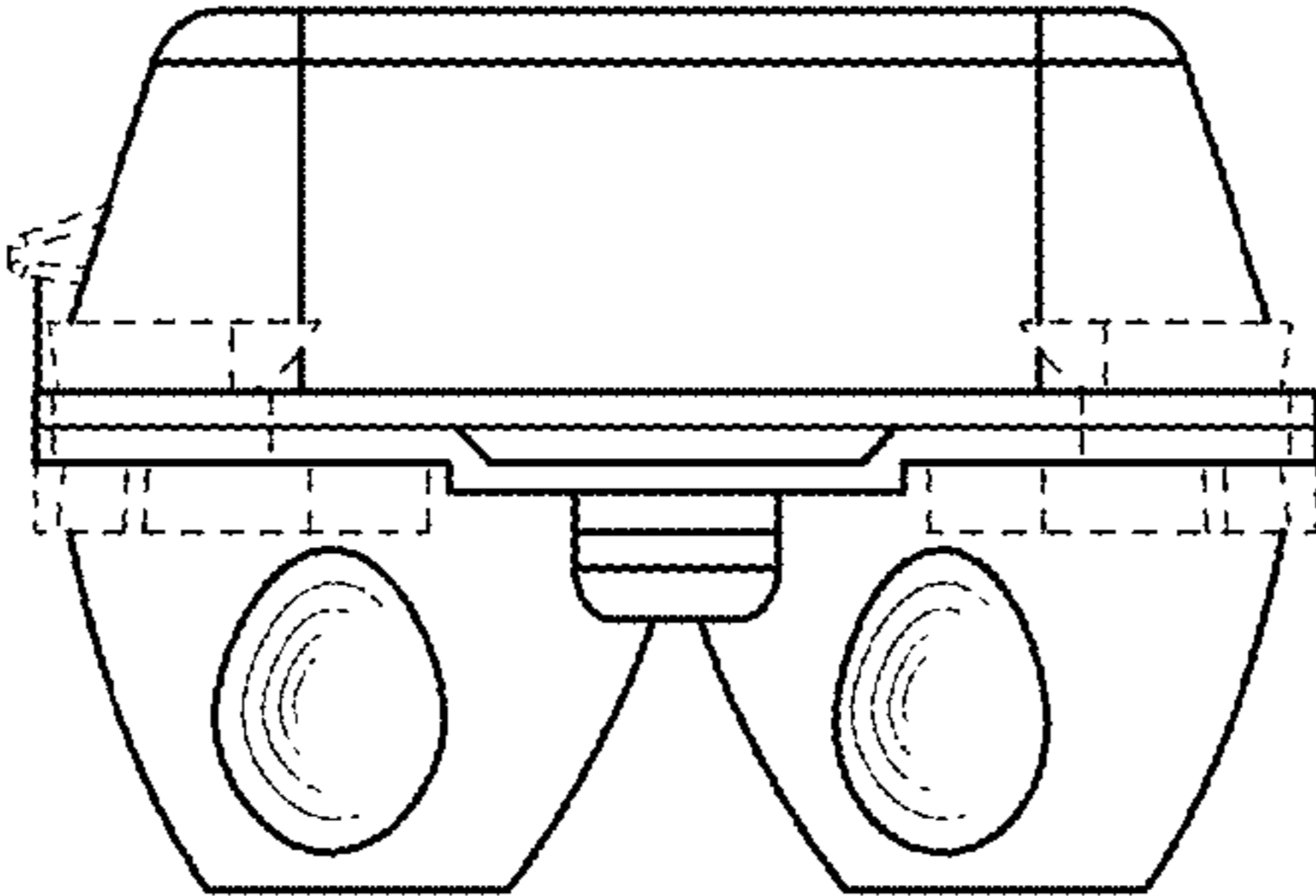


FIG. 4

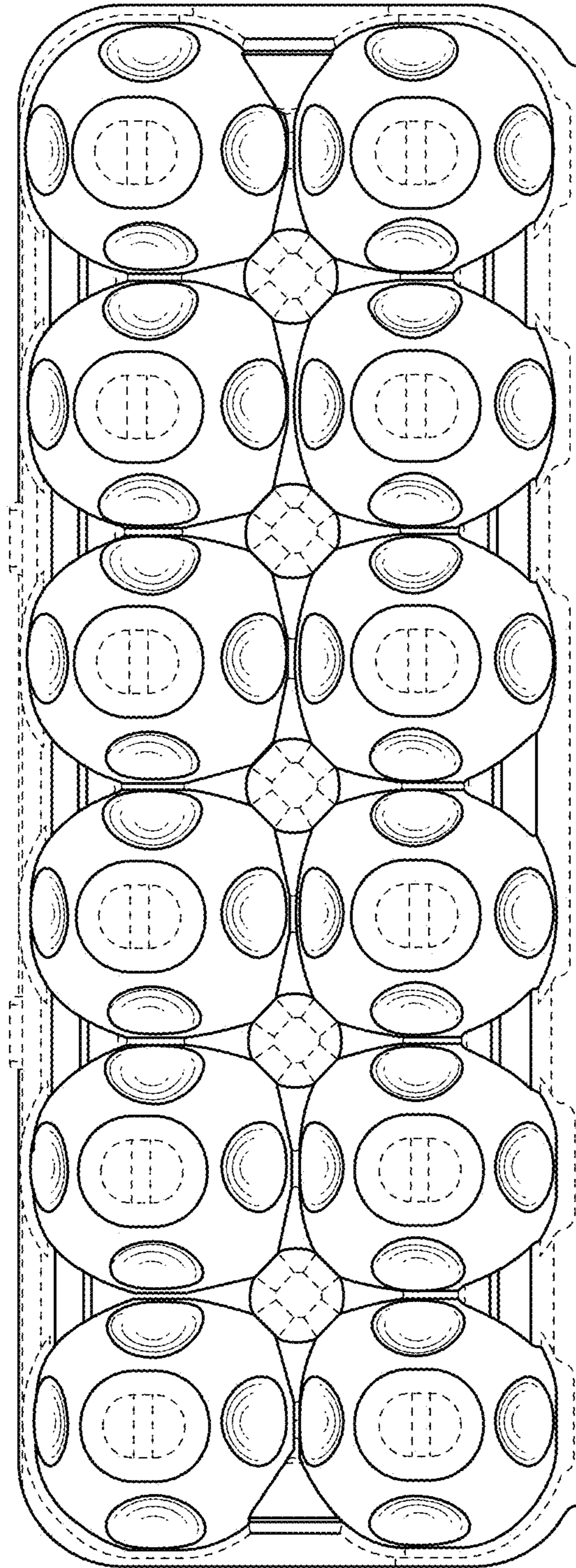


FIG. 5