



US00D966903S

(12) **United States Design Patent**
Block et al.

(10) **Patent No.:** **US D966,903 S**
(45) **Date of Patent:** **** Oct. 18, 2022**

(54) **RETAIL PACKAGING FOR CONSUMABLE PRODUCTS**

B65D 81/368; B65D 2203/00; B65D 2203/02; B65D 67/00; A45C 3/04; A45C 3/10; A63H 81/16

(71) Applicant: **Leftcoast Innovations LLC**, Joliet, IL (US)

See application file for complete search history.

(72) Inventors: **Joseph Block**, Marina Del Rey, CA (US); **Austin Rovetti**, Venice, CA (US)

(56) **References Cited**

(73) Assignee: **Leftcoast Innovations LLC**, Joliet, IL (US)

U.S. PATENT DOCUMENTS

(**) Term: **15 Years**

D790,986 S *	7/2017	Babcock	D9/707
D823,695 S *	7/2018	Totani	D9/707
D852,060 S *	6/2019	Safdie	D9/705
D876,239 S *	2/2020	Yu	D9/709

(21) Appl. No.: **29/761,578**

* cited by examiner

(22) Filed: **Dec. 10, 2020**

Primary Examiner — Abraham Bahta

(51) **LOC (13) Cl.** **09-05**

(74) *Attorney, Agent, or Firm* — Nicholas Pfeifer; Smith & Hopen, P.A.

(52) **U.S. Cl.**
USPC **D9/707**

(57) **CLAIM**

The ornamental design for a retail packaging for consumable products, as shown and described.

(58) **Field of Classification Search**

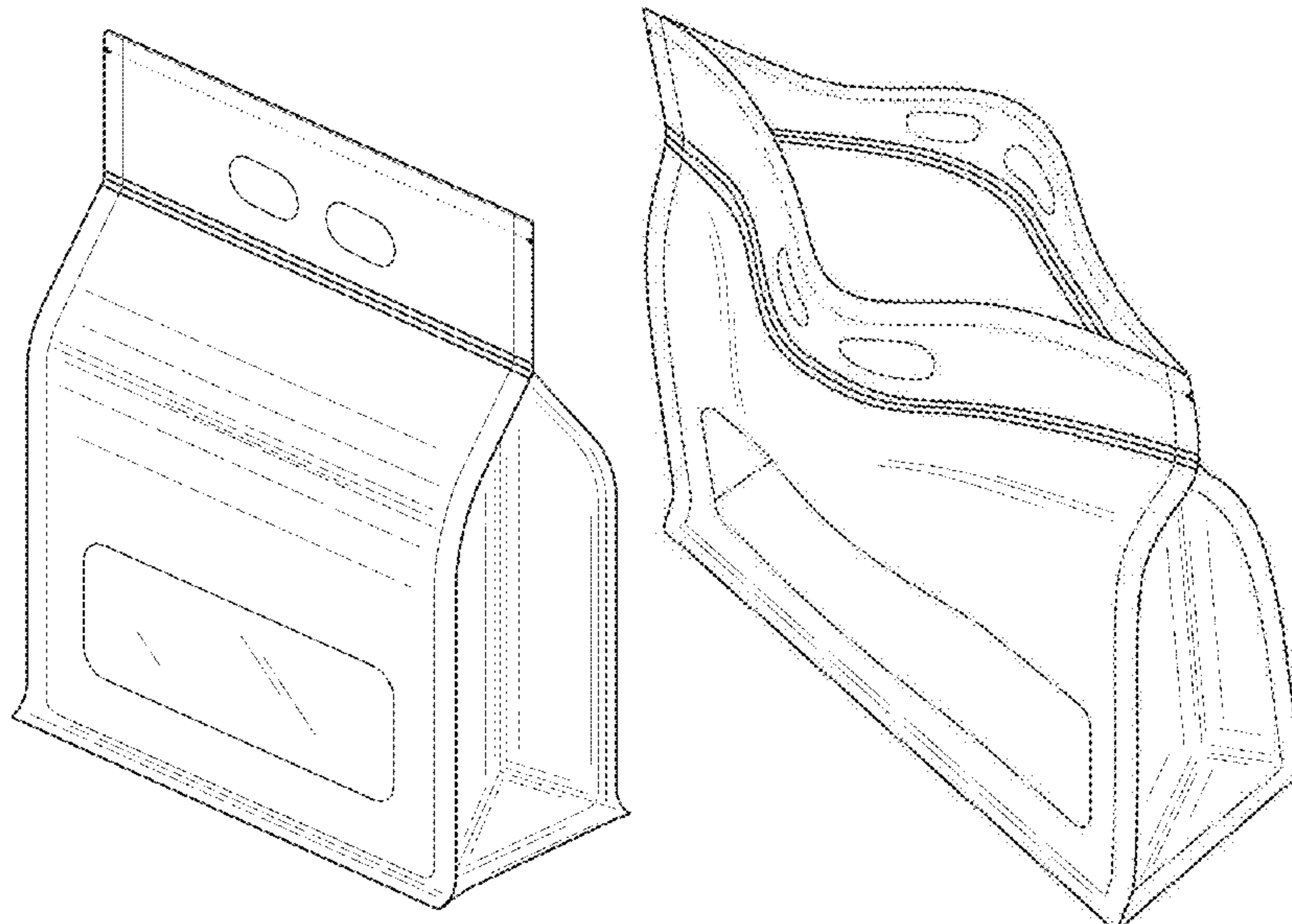
DESCRIPTION

USPC D9/702–714, 719, 738–740, 517–518, D9/522, 416, 435, 444, 460, 455, 414, D9/499, 431–432, 600, 643–647; D7/560–562; 206/434, 426–427, 206/429–430, 485, 485.1, 499, 508, 431, 206/418–422, 588–594, 457, 459.5, 527; 229/117.3, 185, 121, 122, 200, 207, 236, 229/87.01, 116.1; 220/23.83; 150/100–118; 294/137, 152; 383/6, 10, 383/14, 20, 40, 33, 104–105, 117, 108, 383/120, 93, 121.1, 127, 66, 88; 428/34.3; D3/270, 271.1–271.4; 215/381–385, 400

CPC B65D 33/00; B65D 33/06; B65D 33/065; B65D 33/14; B65D 33/1683; B65D 33/12; B65D 33/04; B65D 33/02; B65D 31/00; B65D 31/04; B65D 31/10; B65D 5/42; B65D 5/4208; B65D 5/75; B65D 81/30; B65D 81/365; B65D 81/366;

FIG. 1 is a perspective view of the retail packaging for consumable products showing our new design;
 FIG. 2 is a front view thereof;
 FIG. 3 is a rear view thereof;
 FIG. 4 is a side view thereof;
 FIG. 5 is another side view thereof;
 FIG. 6 is a top perspective view in an opened configuration thereof;
 FIG. 7 is a bottom view thereof;
 FIG. 8 is a top, front and side perspective view in an open configuration thereof; and,
 FIG. 9 is a perspective view thereof wherein consumable products are shown through the window of the packaging. The broken line showing or portions of the claimed design is included for the purpose of illustrating environmental structure and forms no part of the claimed design.

1 Claim, 9 Drawing Sheets



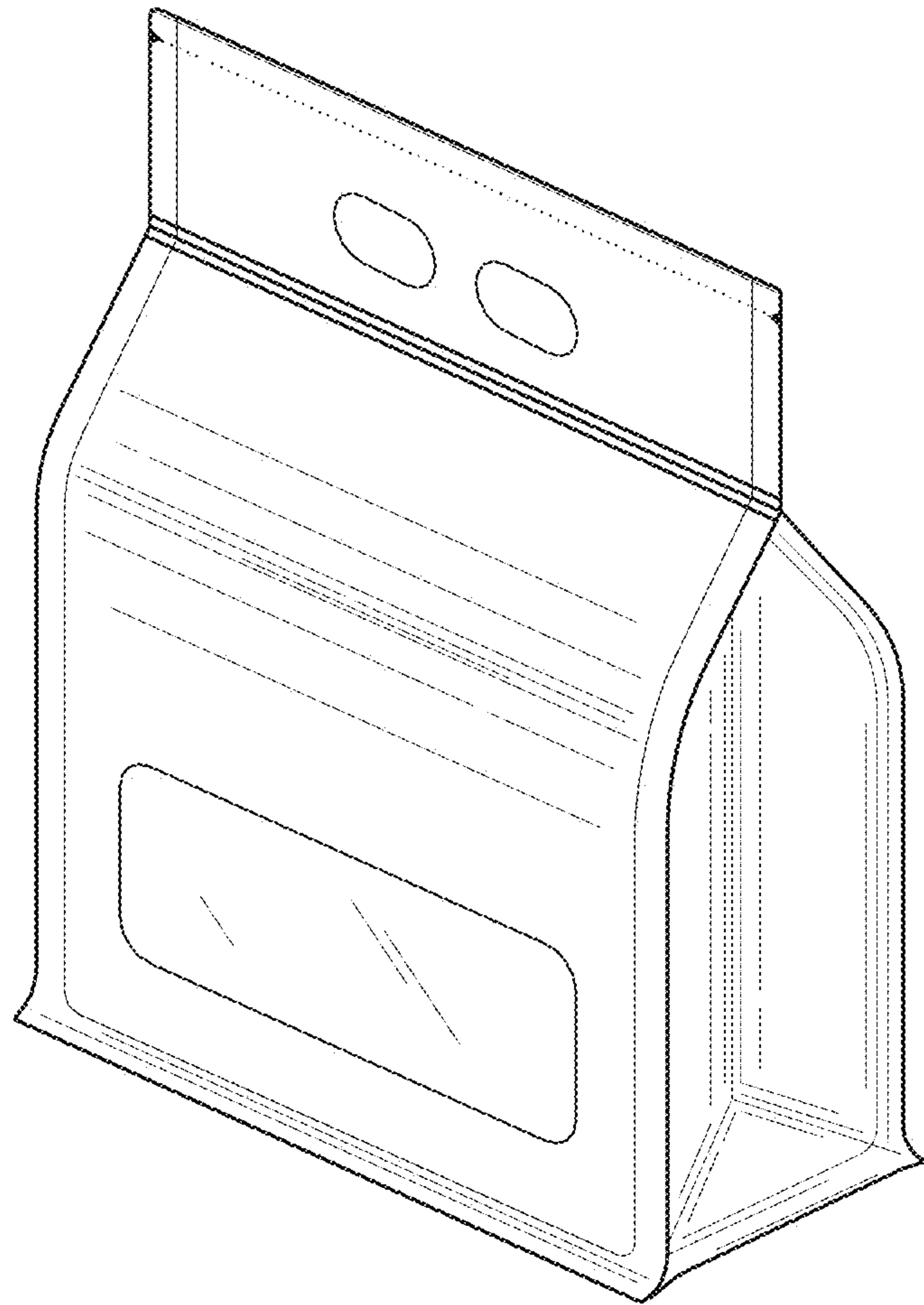


Fig. 1

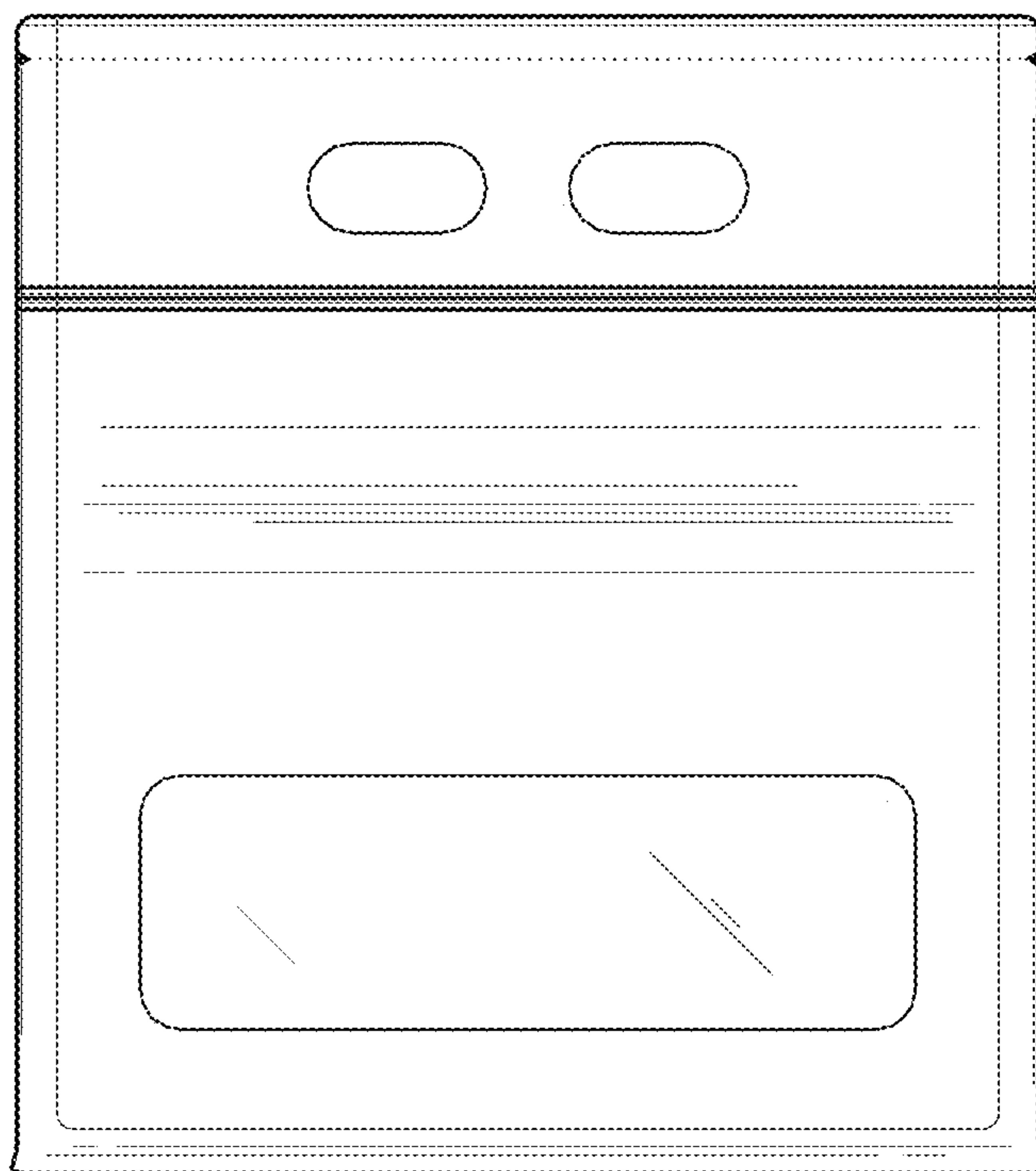


Fig. 2

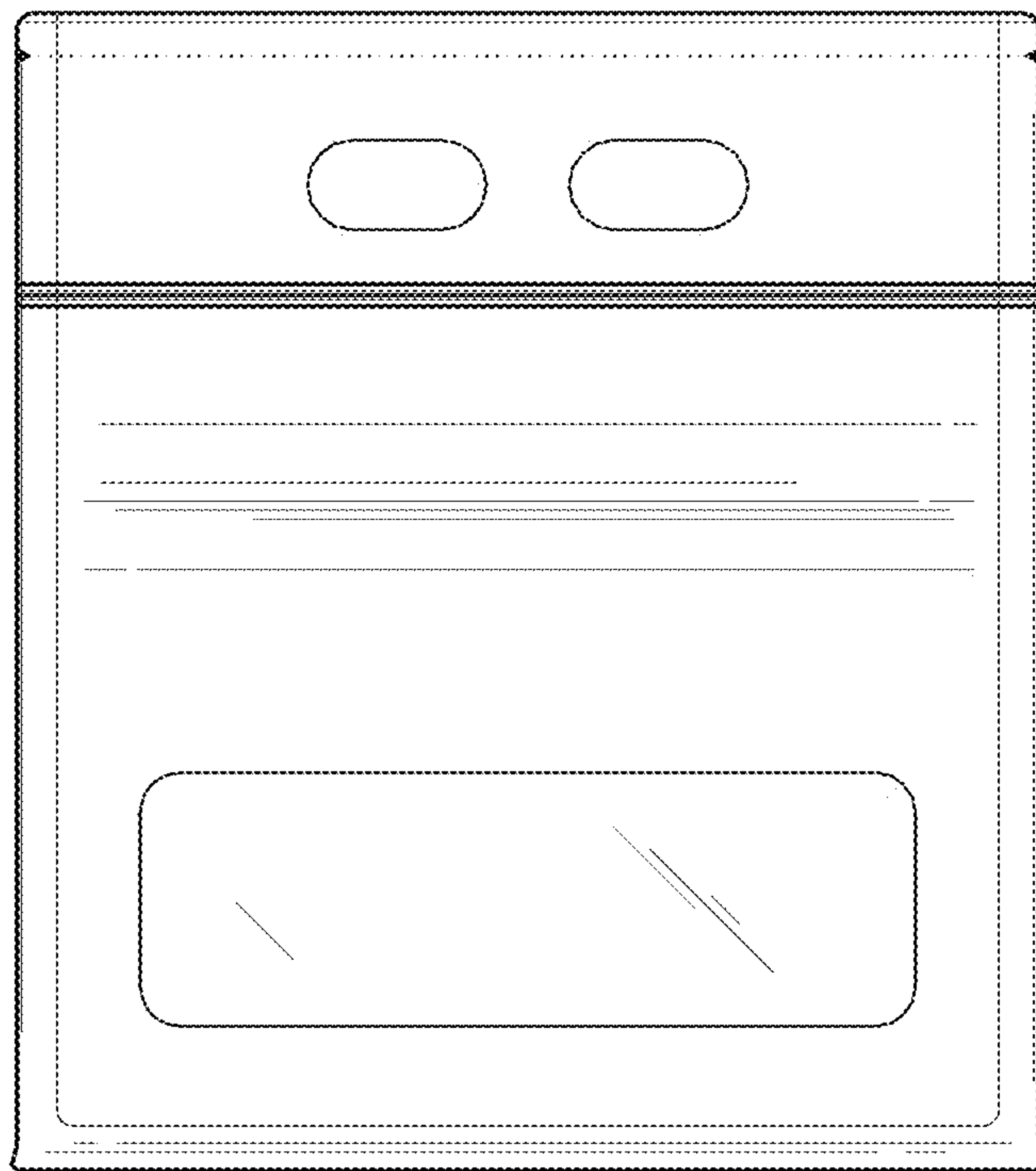


Fig. 3

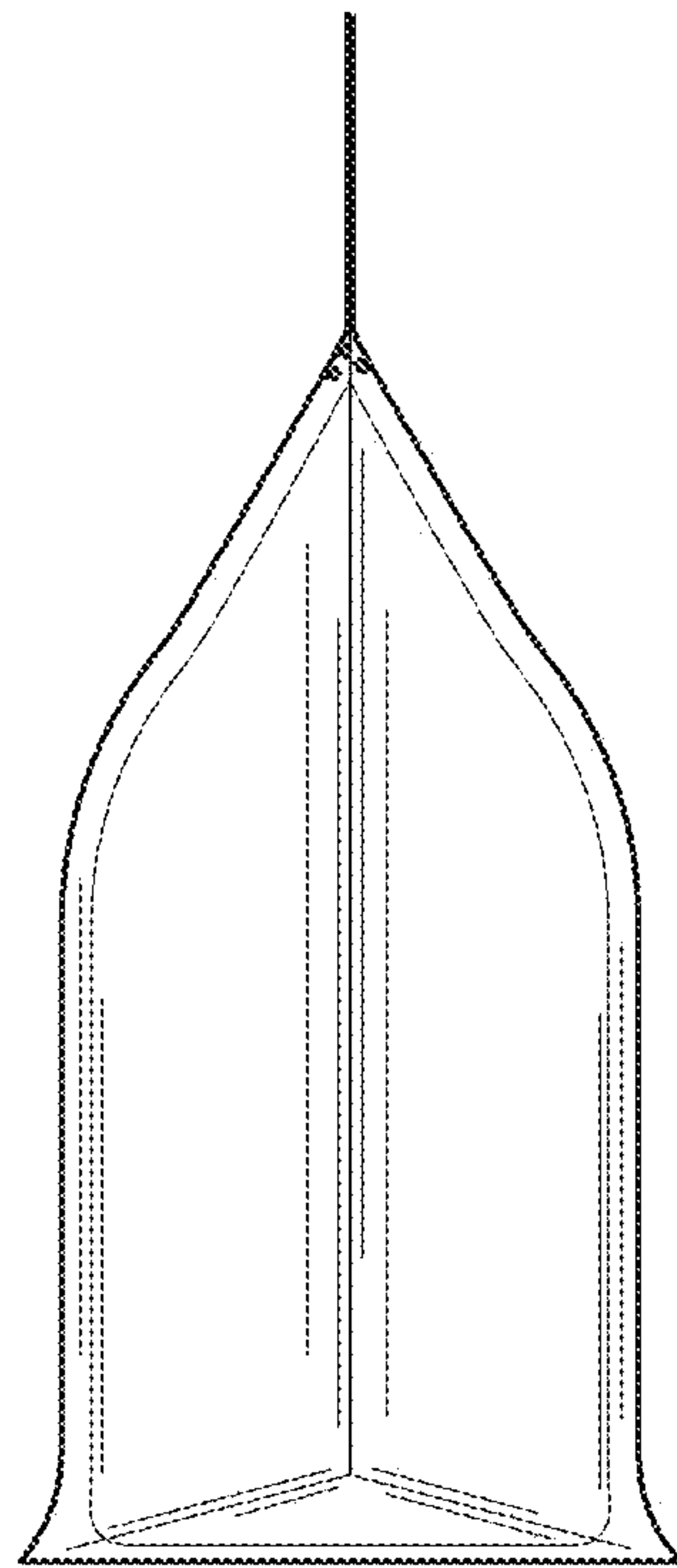


Fig. 4

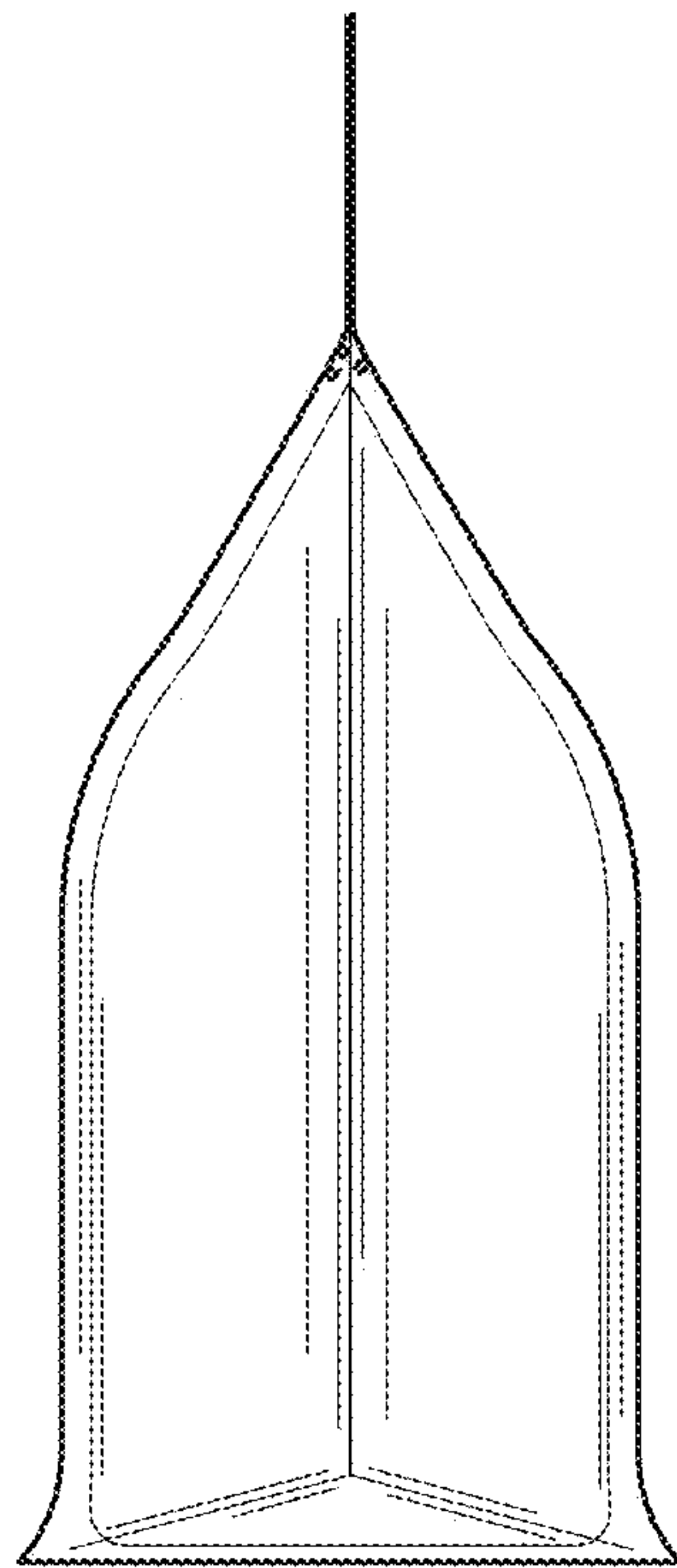


Fig. 5

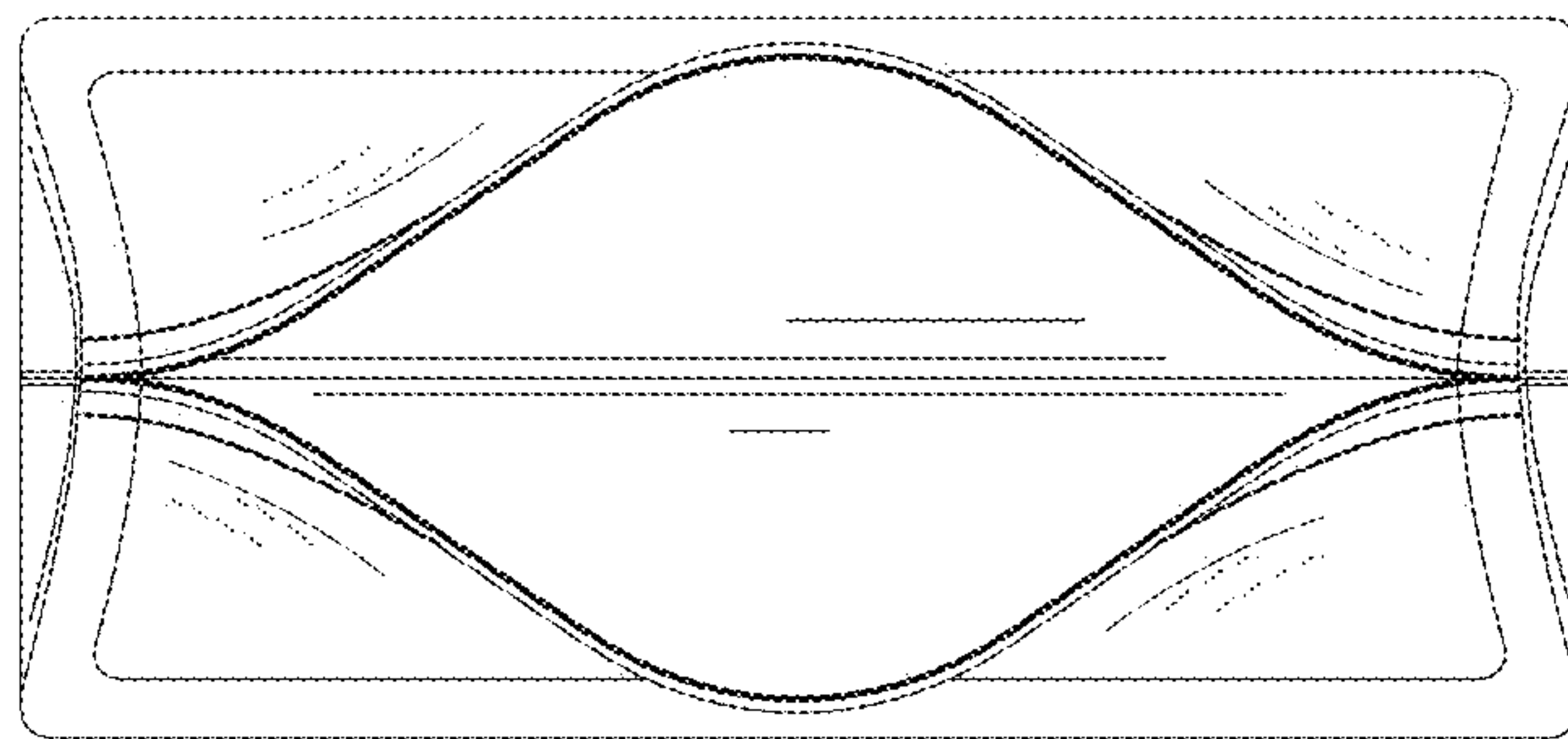


Fig. 6

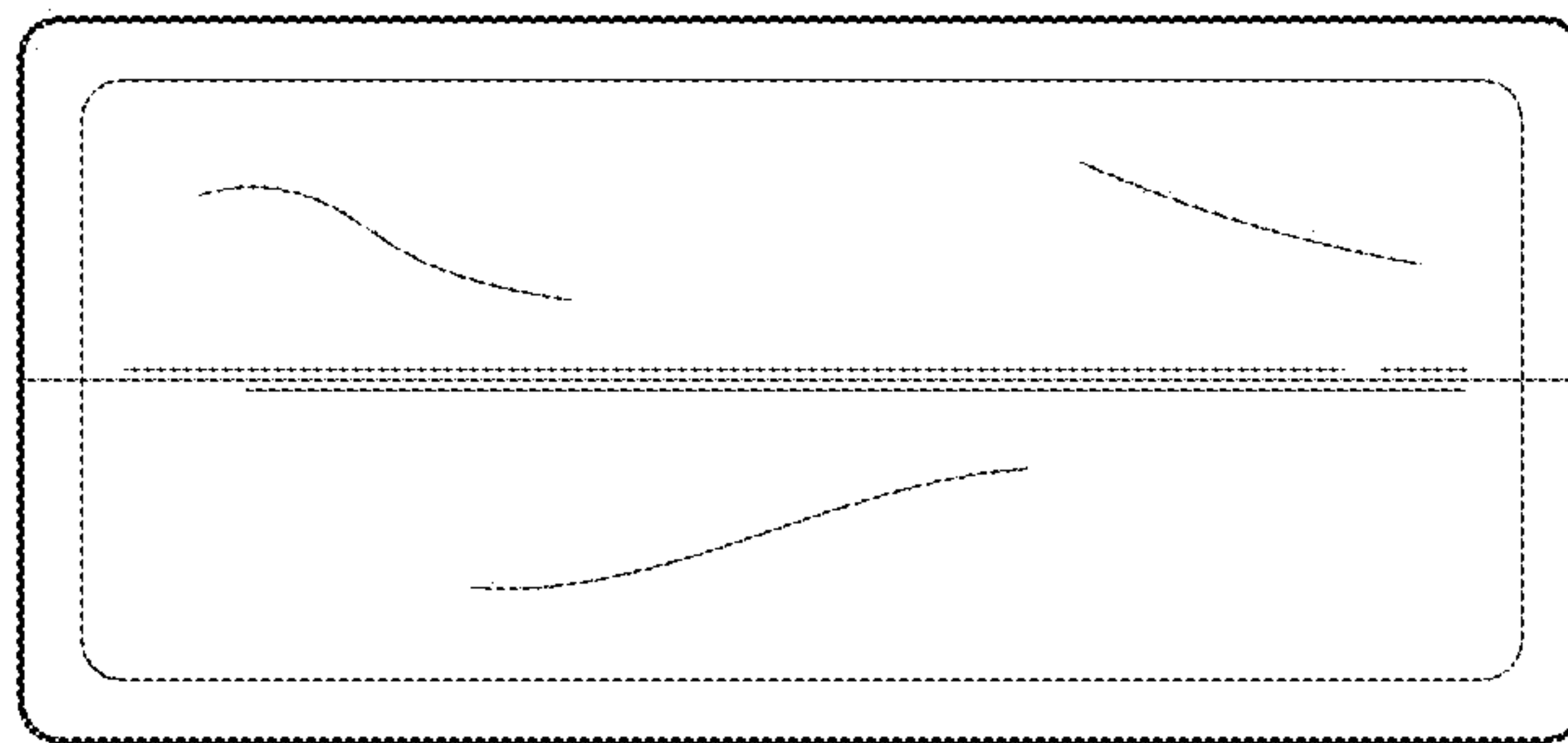


Fig. 7

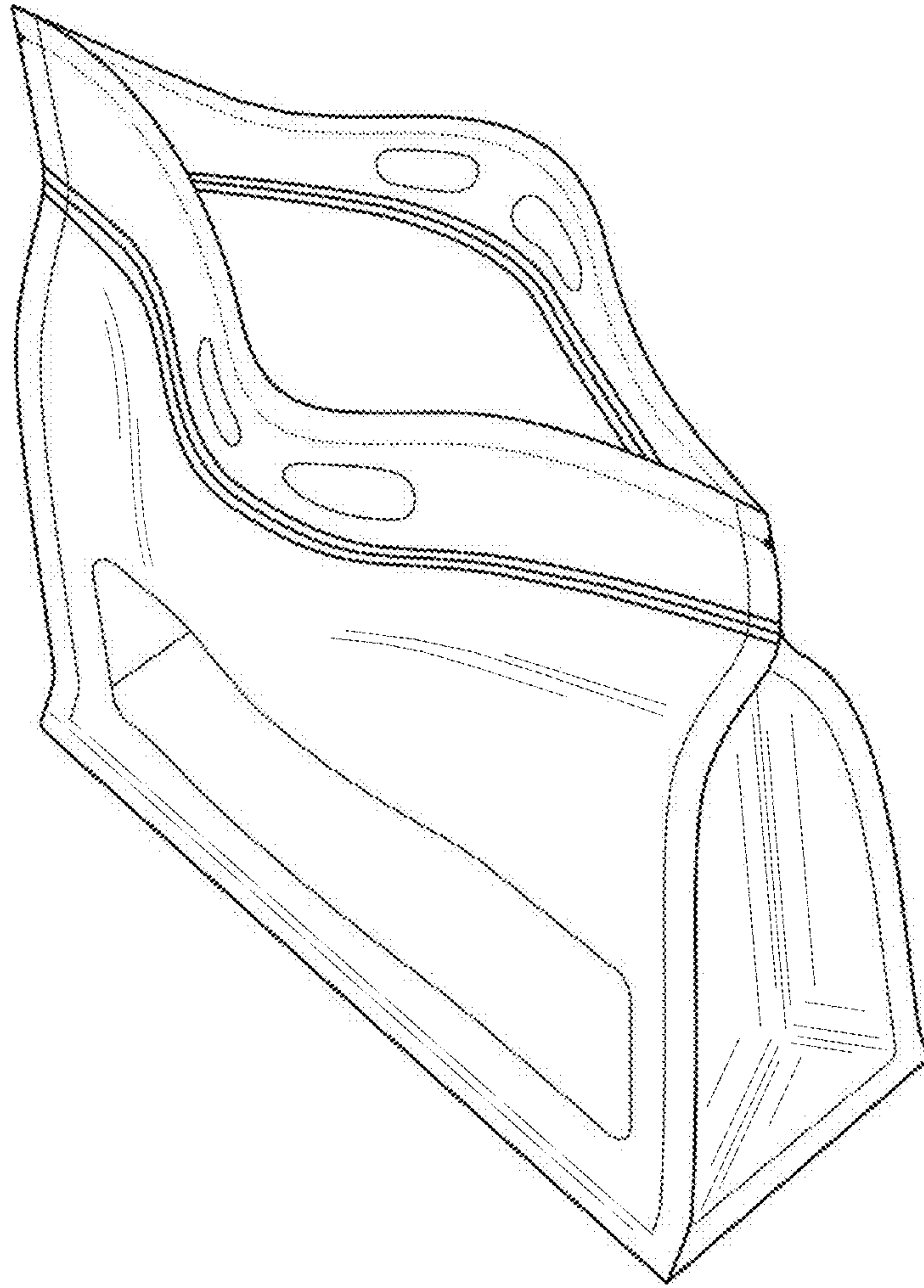


Fig. 8

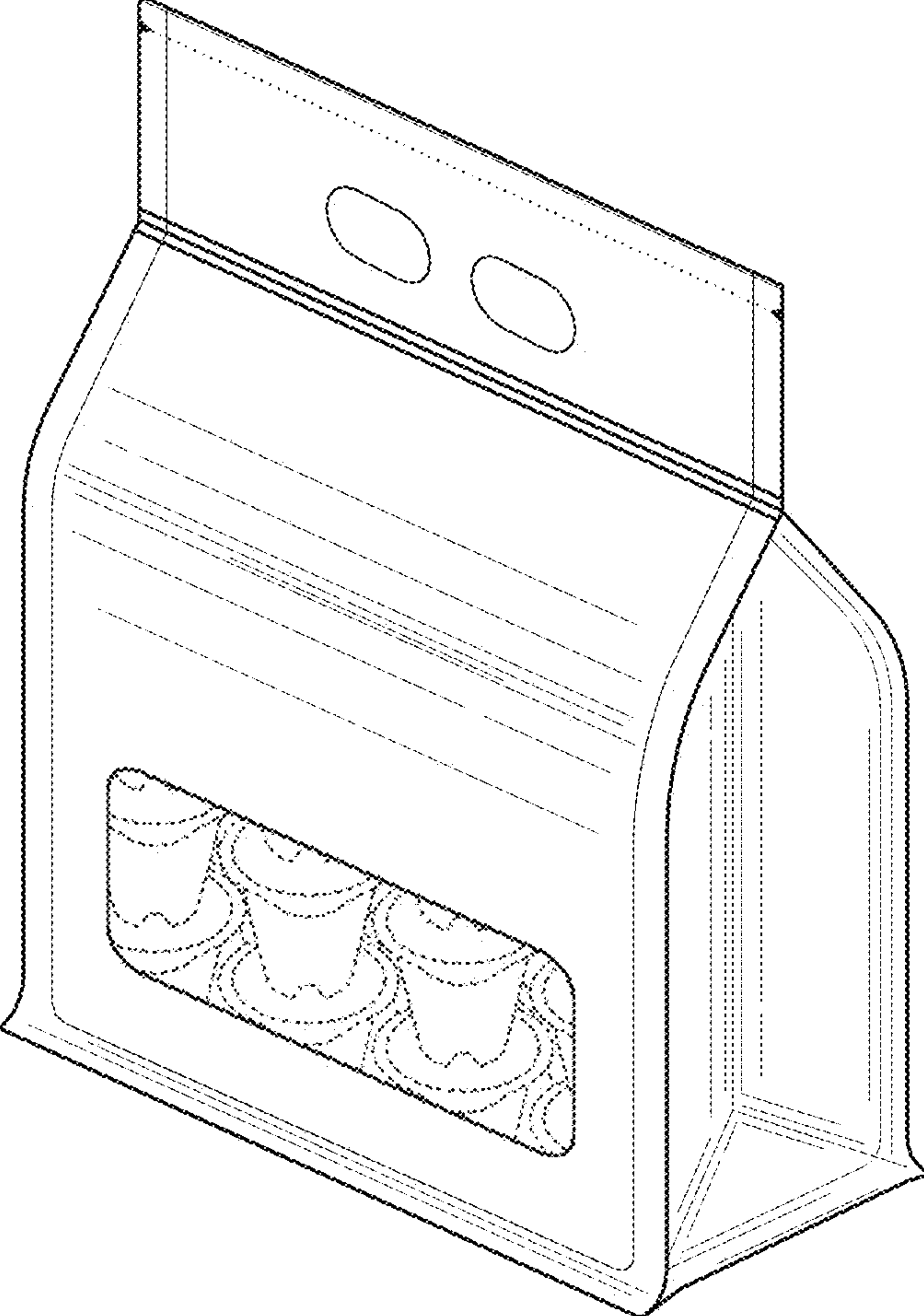


Fig. 9