



US00D966898S

(12) **United States Design Patent**  
**Sha et al.**

(10) **Patent No.:** **US D966,898 S**  
(45) **Date of Patent:** **\*\* Oct. 18, 2022**

- (54) **COSMETIC PRODUCT PACKAGE**
- (71) Applicant: **Aramara Beauty LLC**, New York, NY (US)
- (72) Inventors: **Sarah Sha**, New York, NY (US); **Mee Chang**, New York, NY (US)
- (73) Assignee: **Aramara Beauty LLC**, New York, NY (US)
- (\*\*) Term: **15 Years**

D707,133 S *	6/2014	In	.....	D9/503
D770,284 S *	11/2016	Luu	.....	D9/503
D770,285 S *	11/2016	Luu	.....	D9/503
D833,874 S *	11/2018	Harrison	.....	D9/503
D833,875 S *	11/2018	Harrison	.....	D9/503
D836,444 S *	12/2018	Tan	.....	D9/500
D844,444 S *	4/2019	Otani	.....	D9/558
D850,264 S *	6/2019	Luu	.....	D9/503
D862,237 S *	10/2019	Sanghavi	.....	D9/552
D867,883 S *	11/2019	Luu	.....	D9/454
D922,875 S *	6/2021	Gautier	.....	D9/542
D947,029 S *	3/2022	Brandenburg	.....	D9/503
D949,019 S *	4/2022	Luu	.....	D9/503
D953,164 S *	5/2022	Luo	.....	D9/503

- (21) Appl. No.: **29/772,726**
- (22) Filed: **Mar. 3, 2021**
- (51) **LOC (13) Cl.** ..... **09-01**
- (52) **U.S. Cl.**  
USPC ..... **D9/554**
- (58) **Field of Classification Search**  
USPC ..... D9/434-435, 439, 447, 449, 450,  
D9/452-454, 516, 523, 524, 528-531,  
D9/541-544, 549-551, 556, 558-560,  
D9/563, 565, 566, 571-575, 682, 686,  
D9/687, 693, 694, 715, 719, 554;  
D23/211, 225; D7/300, 300.1, 316, 317,  
D7/598; D28/76-78  
CPC ..... B65D 45/28; B65D 2501/0081; B65D  
21/0237; B65D 2501/0009; B65D 1/00;  
B65D 1/02; B65D 1/12; B65D 1/18;  
B65D 1/20; B65D 1/0223  
See application file for complete search history.

**FOREIGN PATENT DOCUMENTS**

CN 201630571243 \* 5/2017

\* cited by examiner

*Primary Examiner* — Omeed Agilee

(74) *Attorney, Agent, or Firm* — Lowenstein Sandler LLP

(57) **CLAIM**

The ornamental design for a cosmetic product package, as shown and described.

**DESCRIPTION**

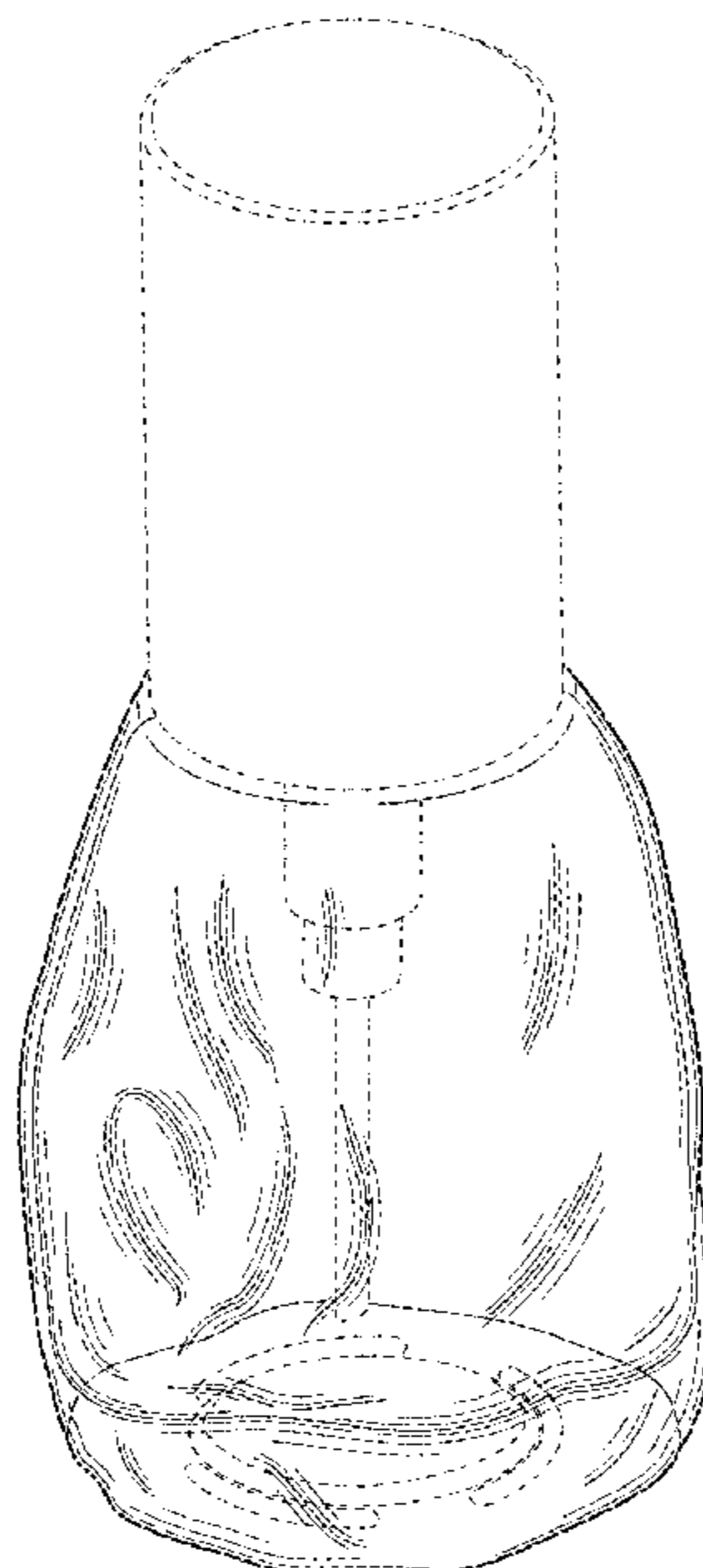
FIG. 1 is a front perspective view of a cosmetic product package embodying the present design;  
 FIG. 2 is a front view thereof;  
 FIG. 3 is a back view thereof;  
 FIG. 4 is a left side view thereof;  
 FIG. 5 is a right side view thereof;  
 FIG. 6 is a top view thereof; and,  
 FIG. 7 is a bottom view thereof.

The broken lines are provided for the purposes of illustrating an environment related to the cosmetic product package that form no part of the claimed design.

(56) **References Cited**  
**U.S. PATENT DOCUMENTS**

D469,356 S *	1/2003	Vo	.....	D9/554
D604,167 S *	11/2009	Tran	.....	D9/453
D701,124 S *	3/2014	O'Hara	.....	D9/624

**1 Claim, 4 Drawing Sheets**



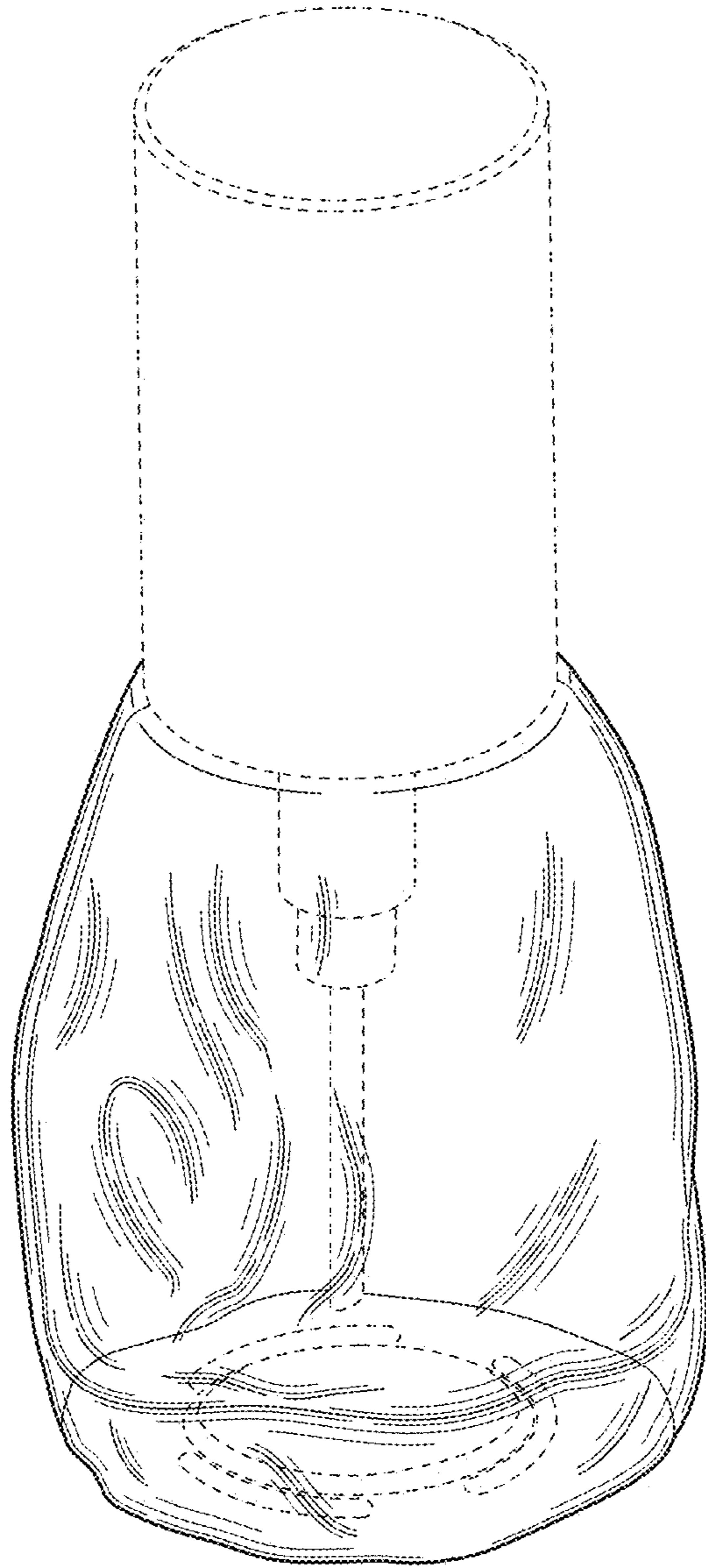


FIG. 1

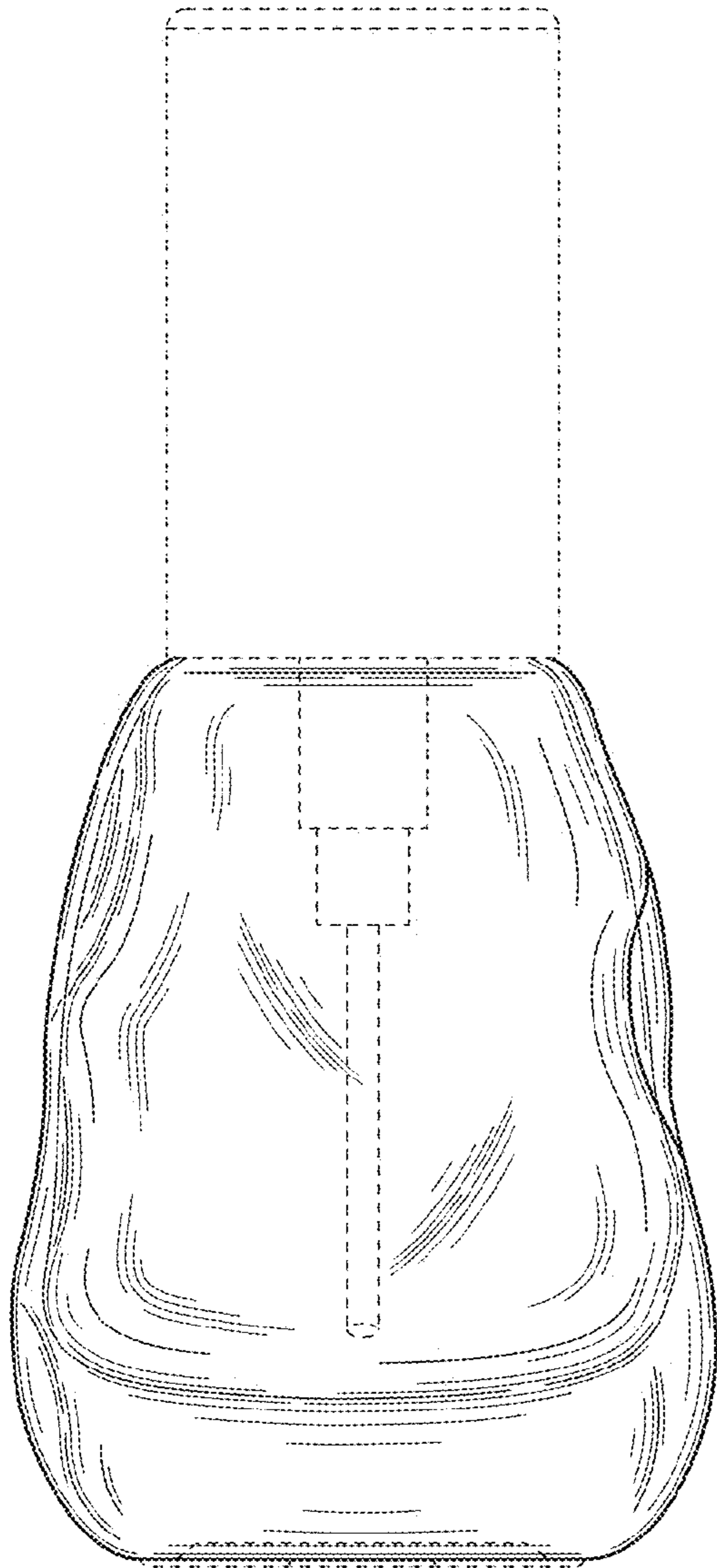


FIG. 2

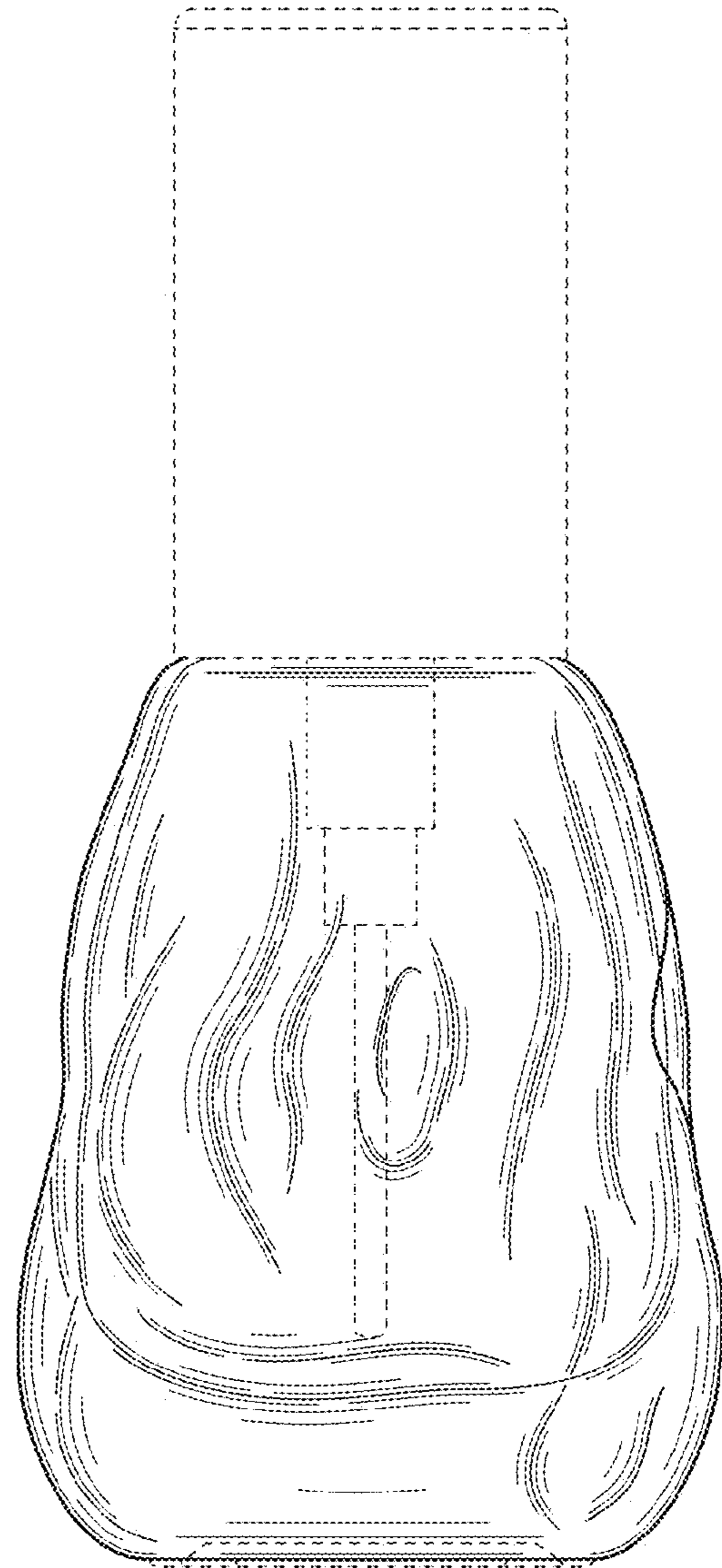


FIG. 3

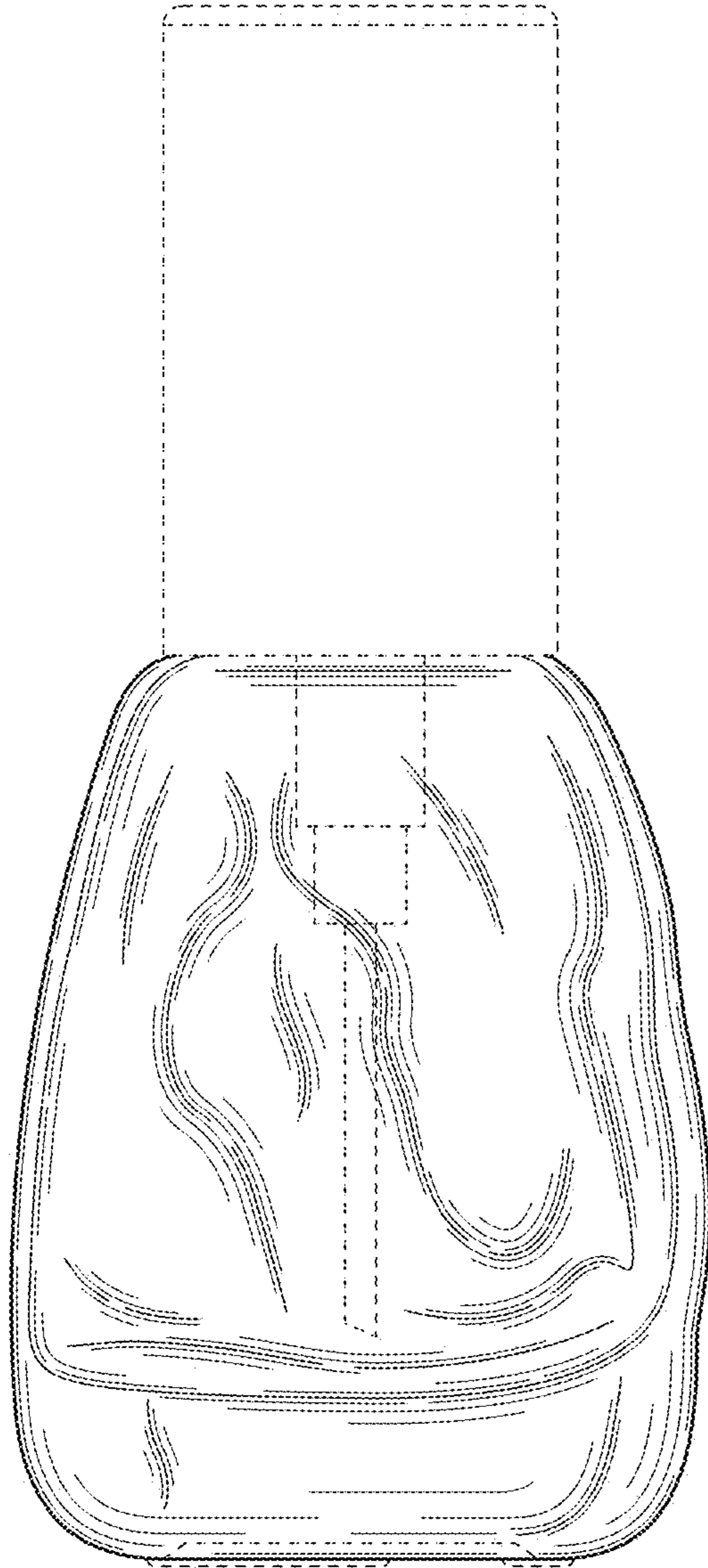


FIG. 4

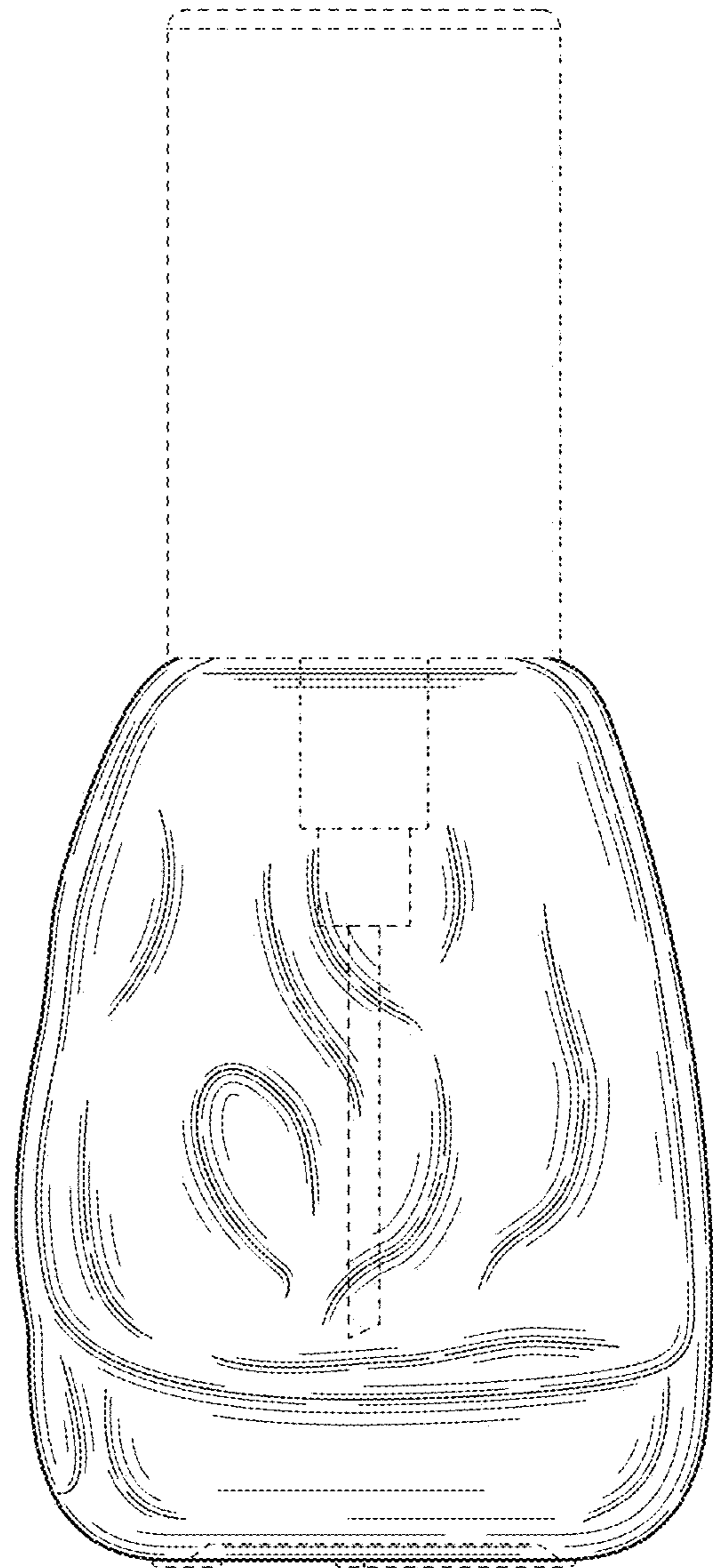


FIG. 5

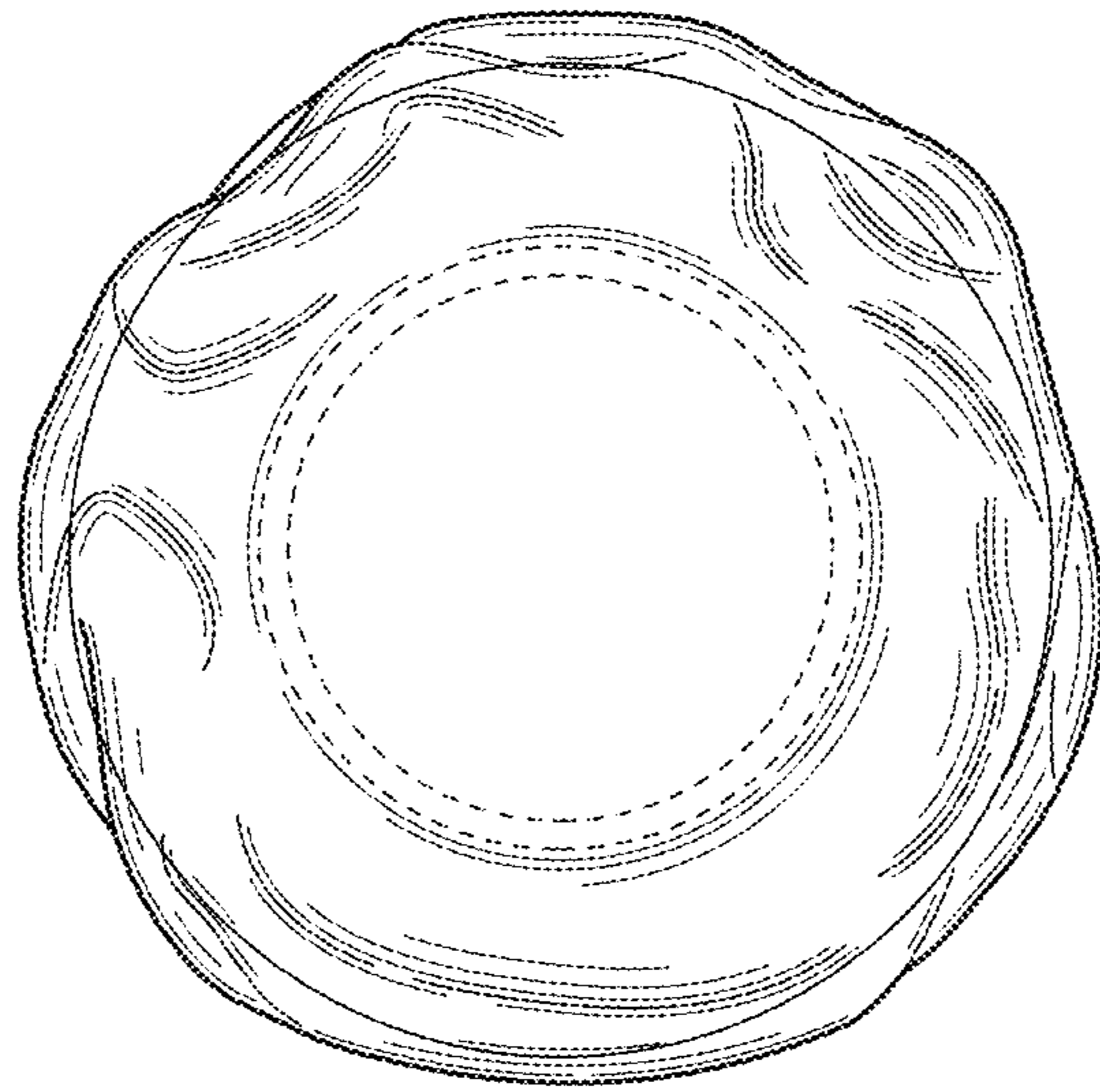


FIG. 6

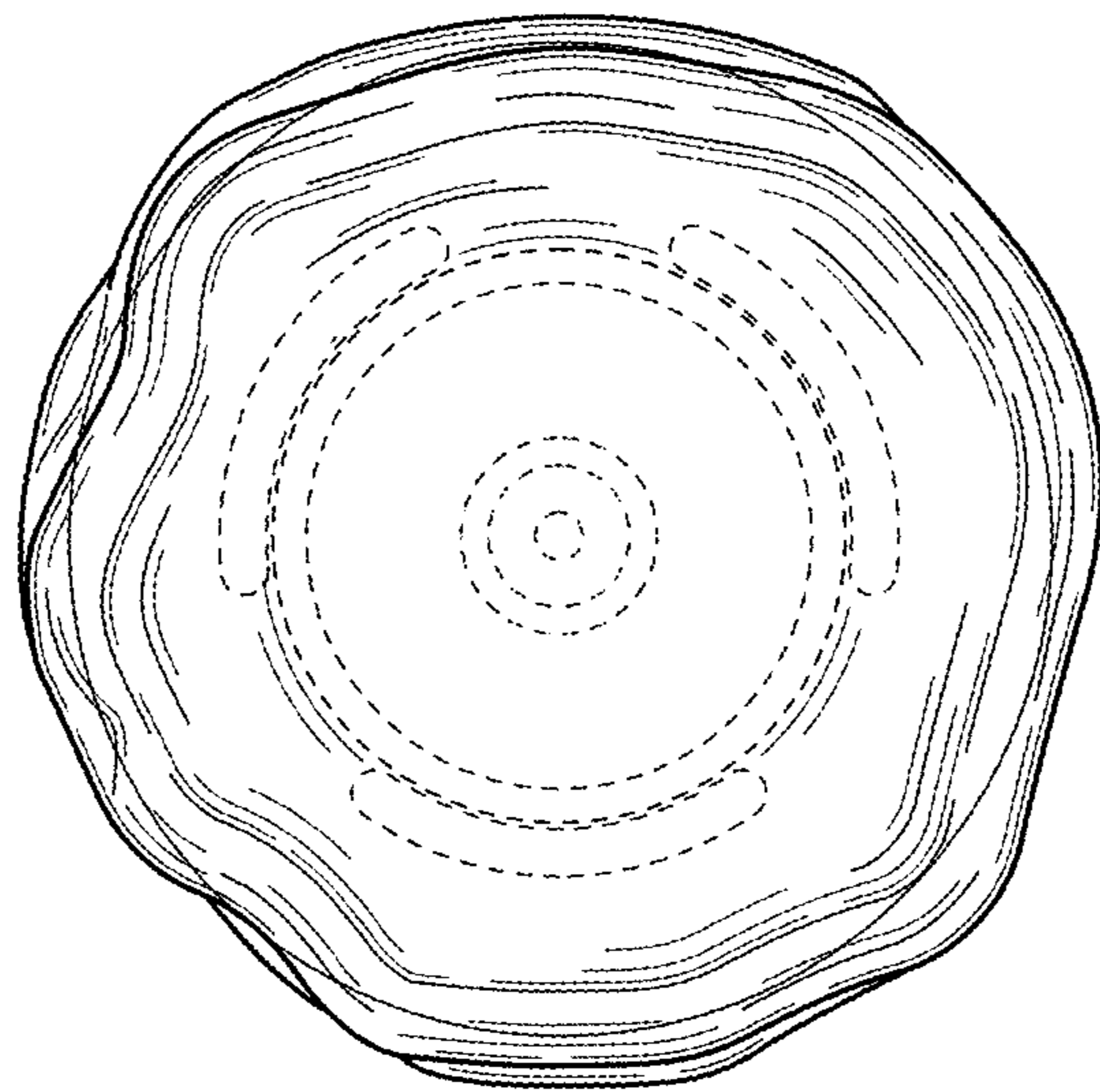


FIG. 7