

US00D966895S

(12) **United States Design Patent**  
**Mellen**

(10) **Patent No.: US D966,895 S**

(45) **Date of Patent: \*\* \*Oct. 18, 2022**

- (54) **PRE-FORM WITH HANDLE**
- (71) Applicant: **Integrated Plastics Pty Limited,**  
Villawood (AU)
- (72) Inventor: **Nick Mellen,** Villawood (AU)
- (73) Assignee: **INTEGRATED PLASTICS PTY LTD,** Villawood (AU)
- (\*) Notice: This patent is subject to a terminal disclaimer.
- (\*\*) Term: **15 Years**
- (21) Appl. No.: **29/694,788**
- (22) Filed: **Jun. 13, 2019**
- (30) **Foreign Application Priority Data**
  - Dec. 13, 2018 (AU) ..... 201817500
  - Dec. 13, 2018 (AU) ..... 201817509
- (51) **LOC (13) Cl. .... 09-01**
- (52) **U.S. Cl.**  
USPC ..... **D9/531**
- (58) **Field of Classification Search**  
USPC ..... D9/516, 519, 520, 530, 537, 538, 540,  
D9/545, 550, 549, 574, 575, 715, 719,  
D9/531; D24/224; D27/183, 186, 189  
CPC ..... B65D 1/0223; B65D 2501/0036; B65D  
1/023; B65D 1/40; B65D 23/102  
See application file for complete search history.

- (56) **References Cited**  
U.S. PATENT DOCUMENTS
  - D342,028 S \* 12/1993 Stenger ..... D24/224
  - D432,245 S \* 10/2000 Stevens ..... D24/216
  - 6,789,689 B1 \* 9/2004 Beale ..... B29B 11/08  
215/398
  - D587,118 S \* 2/2009 Sadiq ..... D9/516

- D607,731 S \* 1/2010 Soliman ..... D9/500
- D633,392 S \* 3/2011 Northrop ..... D9/499
- D644,536 S \* 9/2011 Witz ..... D9/499
- D664,165 S \* 7/2012 Witz ..... D15/136
- D694,111 S \* 11/2013 Porter ..... G01F 11/286  
D9/499
- D698,651 S \* 2/2014 Sommer ..... D9/453
- D702,743 S \* 4/2014 Witz ..... D15/136
- 8,857,637 B2 \* 10/2014 Darr ..... B29B 11/08  
215/44
- D739,953 S \* 9/2015 Curry ..... D24/224
- D746,142 S \* 12/2015 Thibodeau ..... D9/499
- D769,720 S \* 10/2016 Porter ..... D9/499
- D777,341 S \* 1/2017 Oguro ..... D24/224
- D801,580 S \* 10/2017 Barrantes ..... D27/189
- D817,173 S \* 5/2018 Suga ..... D9/500
- 10,189,200 B2 \* 1/2019 Brunson ..... B29C 49/12
- 10,335,993 B2 \* 7/2019 Thibodeau ..... B29C 49/482
- 2005/0158495 A1 \* 7/2005 Nahill ..... B29C 49/02  
428/35.7
- 2013/0330490 A1 \* 12/2013 Calello ..... B29B 11/14  
428/36.5
- 2016/0250795 A1 \* 9/2016 Knight ..... B29C 49/0073  
215/44

(Continued)

*Primary Examiner* — Catherine S Posthauer  
(74) *Attorney, Agent, or Firm* — Ladas & Parry LLP

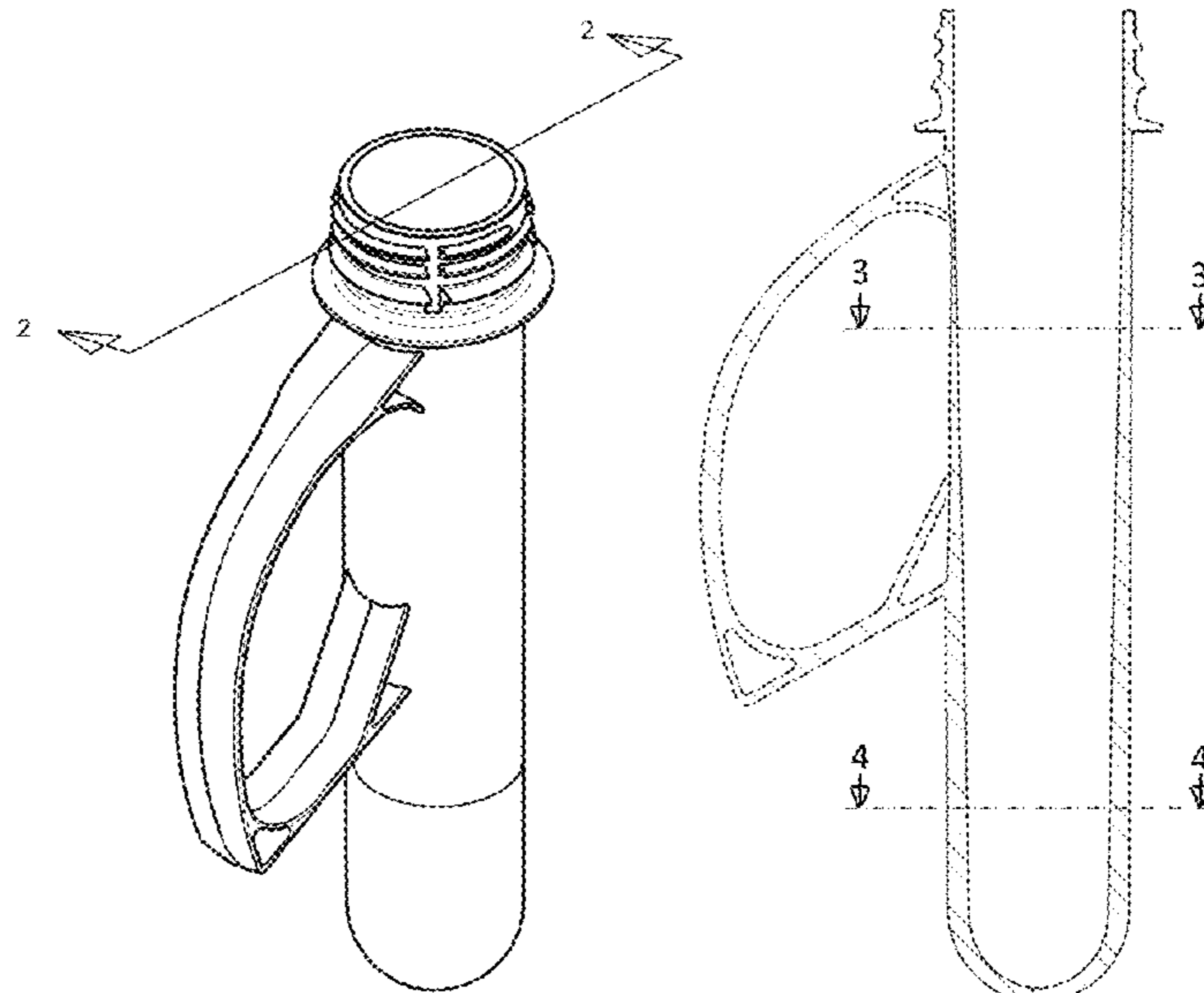
(57) **CLAIM**

I claim the ornamental design for a pre-form with handle, as shown and described.

**DESCRIPTION**

FIG. 1 is a front-left perspective view of the pre-form with handle showing my new design;  
FIG. 2 is a cross sectional view in the direction of line 2-2 of FIG. 1 thereof;  
FIG. 3 is a cross sectional view in the direction of line 3-3 of FIG. 2 thereof; and,  
FIG. 4 is a cross sectional view in the direction of line 4-4 of FIG. 2 thereof.

**1 Claim, 2 Drawing Sheets**



(56)

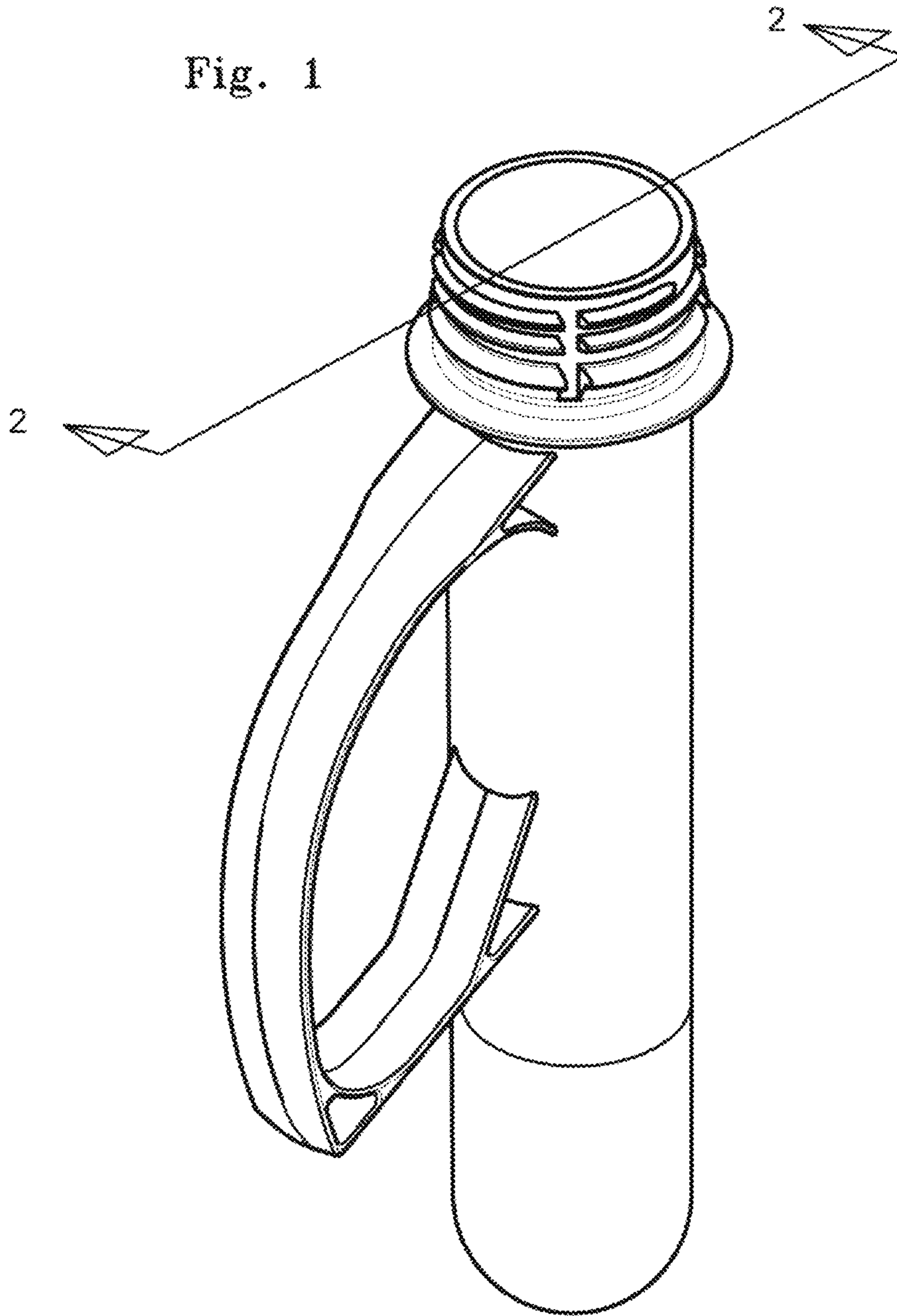
**References Cited**

U.S. PATENT DOCUMENTS

2017/0326779 A1\* 11/2017 Toyoda ..... B65D 1/00  
2018/0194059 A1\* 7/2018 Hirayama ..... B29C 49/221

\* cited by examiner

Fig. 1



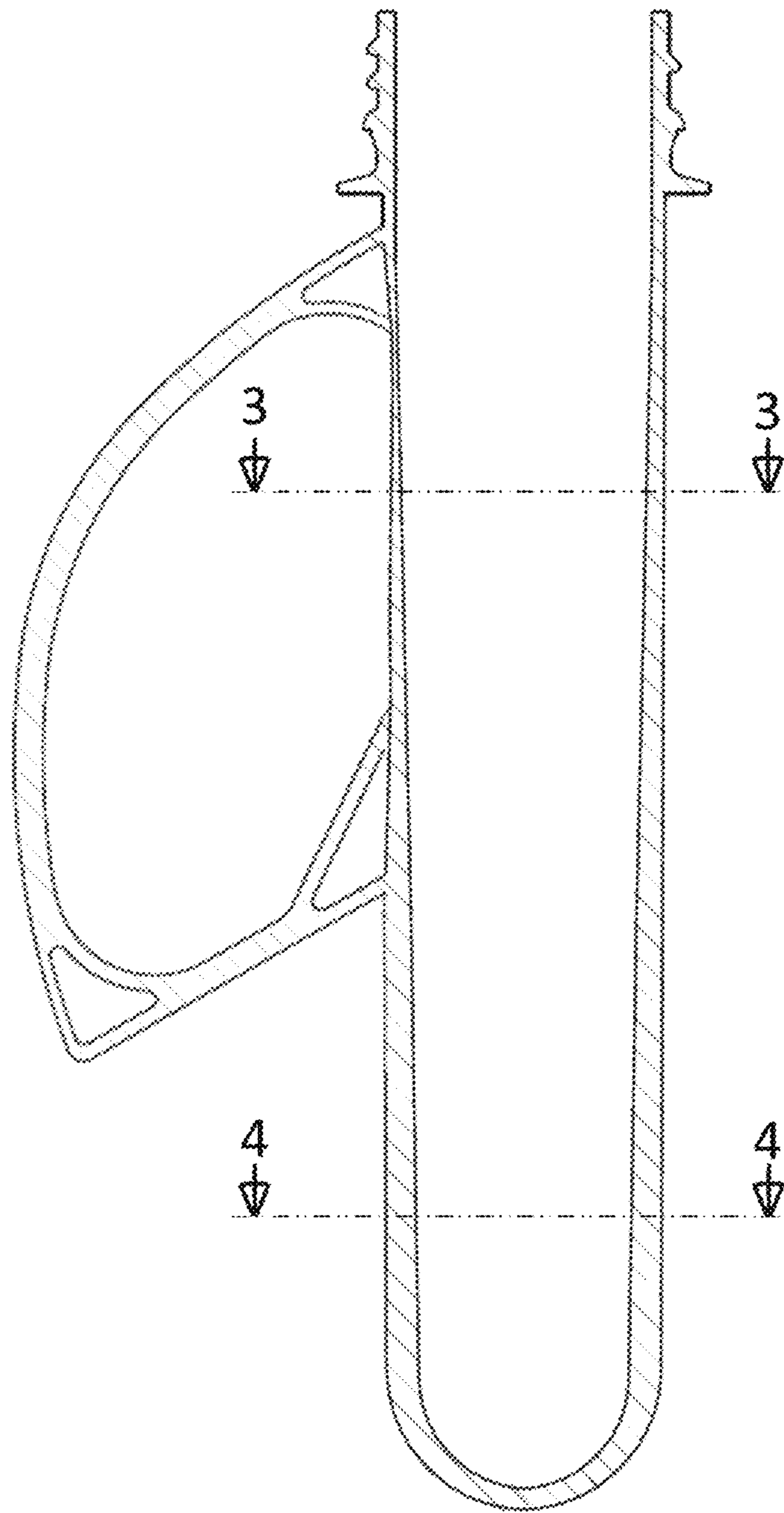


Fig. 2

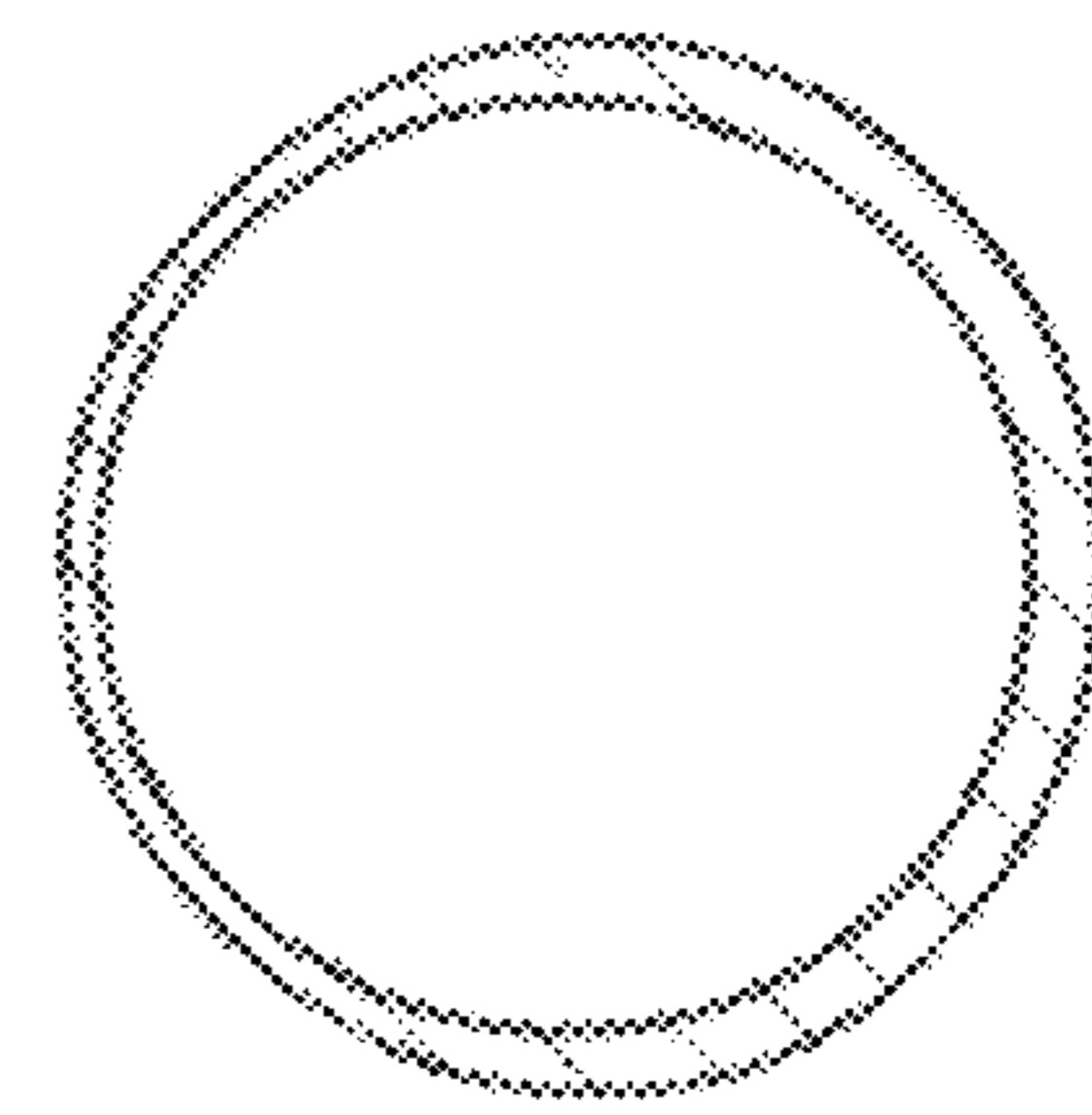


Fig. 3

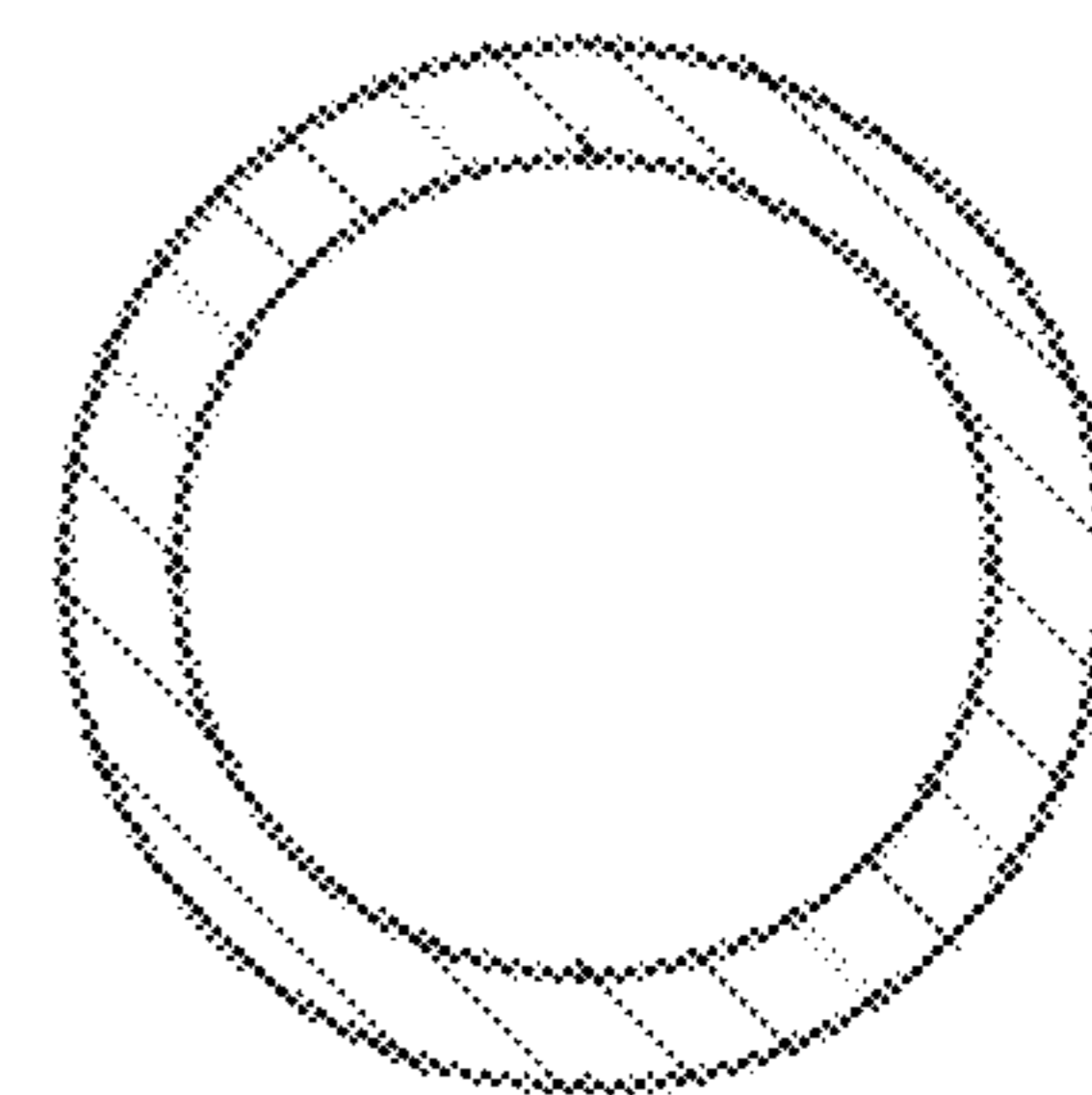


Fig. 4