



US00D966893S

(12) **United States Design Patent**
Sweeney et al.

(10) **Patent No.:** **US D966,893 S**

(45) **Date of Patent:** **** Oct. 18, 2022**

- (54) **JAR**
- (71) Applicant: **Kao USA**, Cincinnati, OH (US)
- (72) Inventors: **Brian Sweeney**, Cincinnati, OH (US);
David Mefford, Union Township, OH (US); **Chris King**, Monroe, OH (US)
- (73) Assignee: **Kao USA, Inc.**, Cincinnati, OH (US)
- (**) Term: **15 Years**
- (21) Appl. No.: **29/713,169**
- (22) Filed: **Nov. 14, 2019**
- (51) **LOC (13) Cl.** **09-01**
- (52) **U.S. Cl.**
USPC **D9/526**; D7/612; D9/522
- (58) **Field of Classification Search**
USPC D9/522, 523, 530, 541-543, 563, 575,
D9/655, 574, 526; D28/76, 78, 82;
D26/22; D7/612
CPC . B65D 1/0223; B65D 2501/0081; B65D 1/02
See application file for complete search history.

- D406,988 S * 3/1999 Tisdale D7/612
- D500,640 S * 1/2005 Lawson D7/612
- D576,883 S * 9/2008 Carapelli D9/575
- D633,804 S * 3/2011 Podewski D9/522
- D743,797 S * 11/2015 Delagrange D9/522
- D756,228 S * 5/2016 Premkumar D9/575
- D787,335 S * 5/2017 Pires D9/522
- D796,329 S * 9/2017 Burditt, Jr. D9/575

* cited by examiner

Primary Examiner — Brett Miller

Assistant Examiner — Rani J Abdallah

(74) *Attorney, Agent, or Firm* — Frost Brown Todd LLC

(57) **CLAIM**

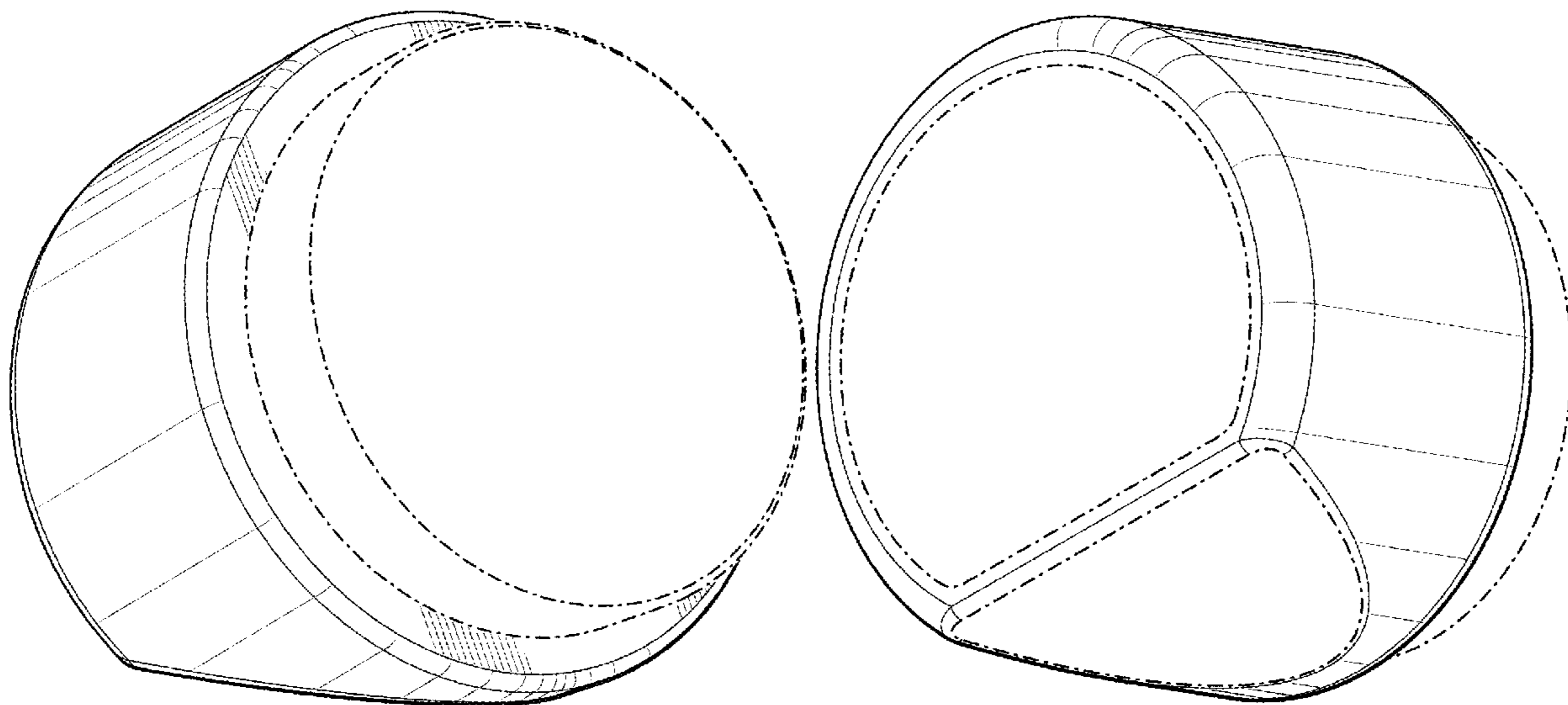
The ornamental design for a jar, as shown and described.

DESCRIPTION

FIG. 1 is a top front perspective view of a jar, showing our new design;
 FIG. 2 is a bottom rear perspective view thereof;
 FIG. 3 is a front elevation view thereof;
 FIG. 4 is a rear elevation view thereof;
 FIG. 5 is a left elevation view thereof;
 FIG. 6 is a right elevation view thereof;
 FIG. 7 is a top plan view thereof; and,
 FIG. 8 is a bottom plan view thereof.
 The broken lines in FIGS. 1-3 and 5-8 are included for purposes of illustrating a lid portion of the jar that form no part of the claimed design.

1 Claim, 5 Drawing Sheets

- (56) **References Cited**
U.S. PATENT DOCUMENTS
D86,712 S * 4/1932 Fuerst D9/523
D87,255 S * 6/1932 Fuerst D9/522
D99,012 S * 3/1936 Garwood D9/526
D134,307 S * 11/1942 Loewy D9/522



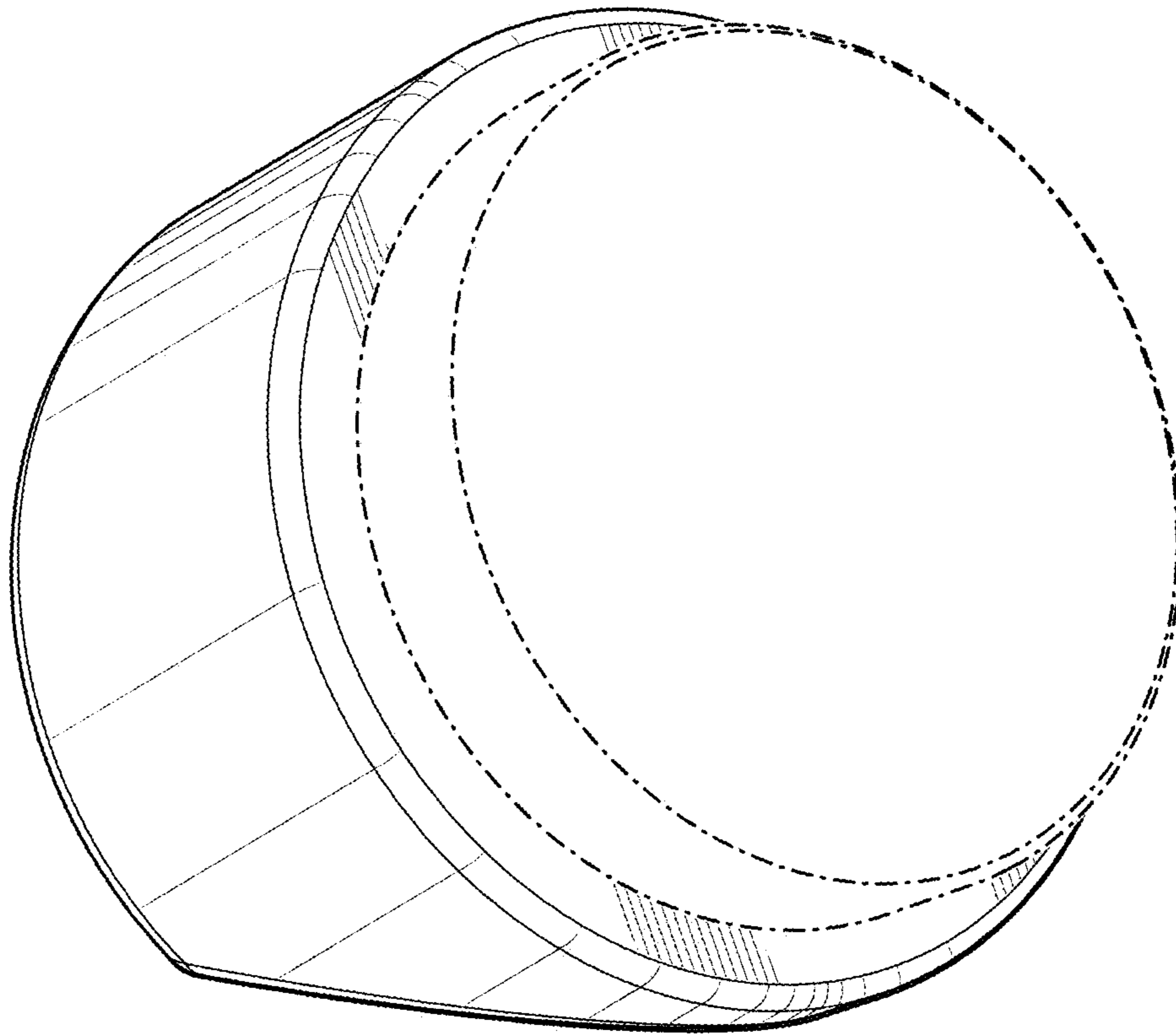


FIG. 1

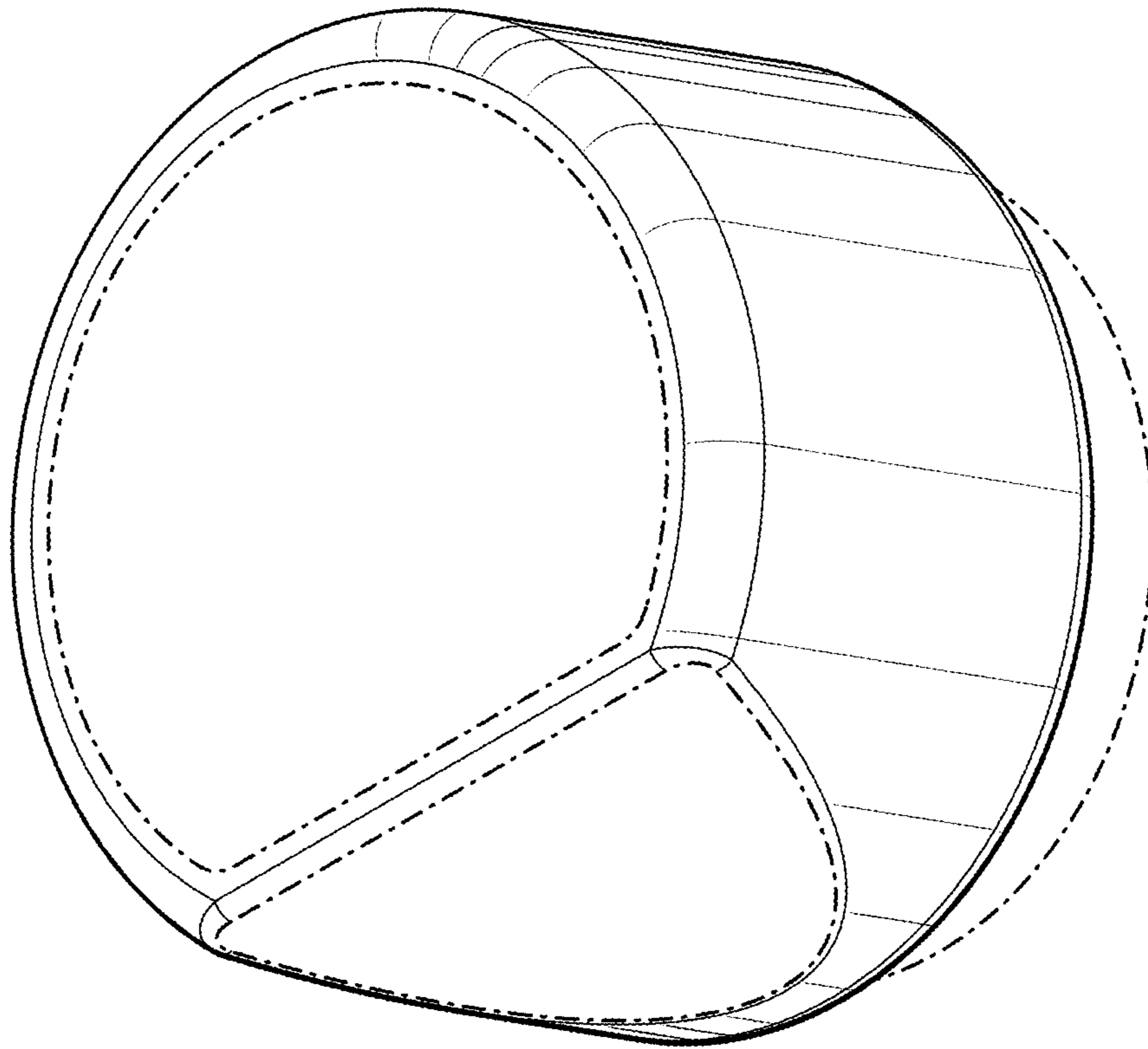


FIG. 2

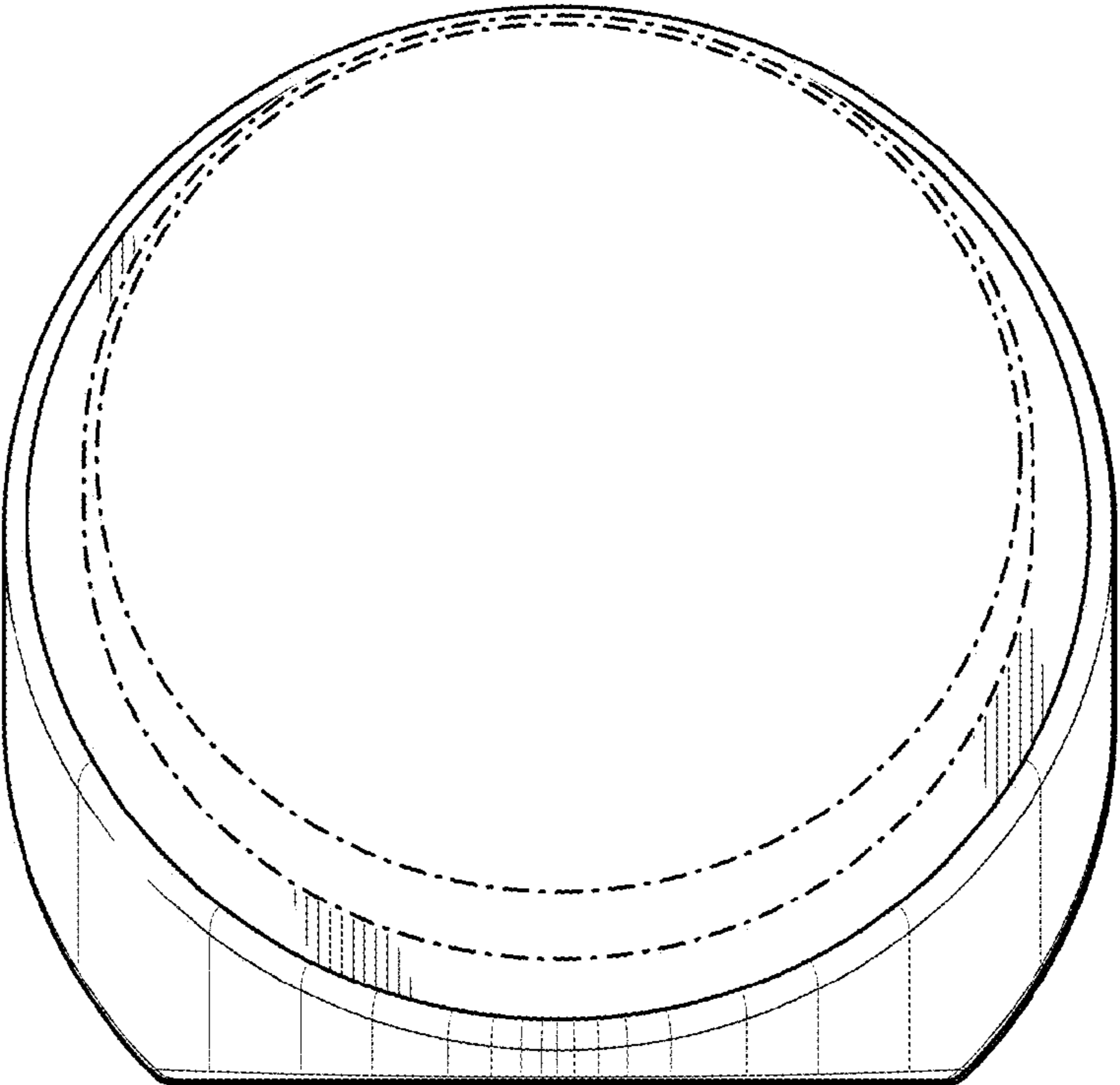


FIG. 3

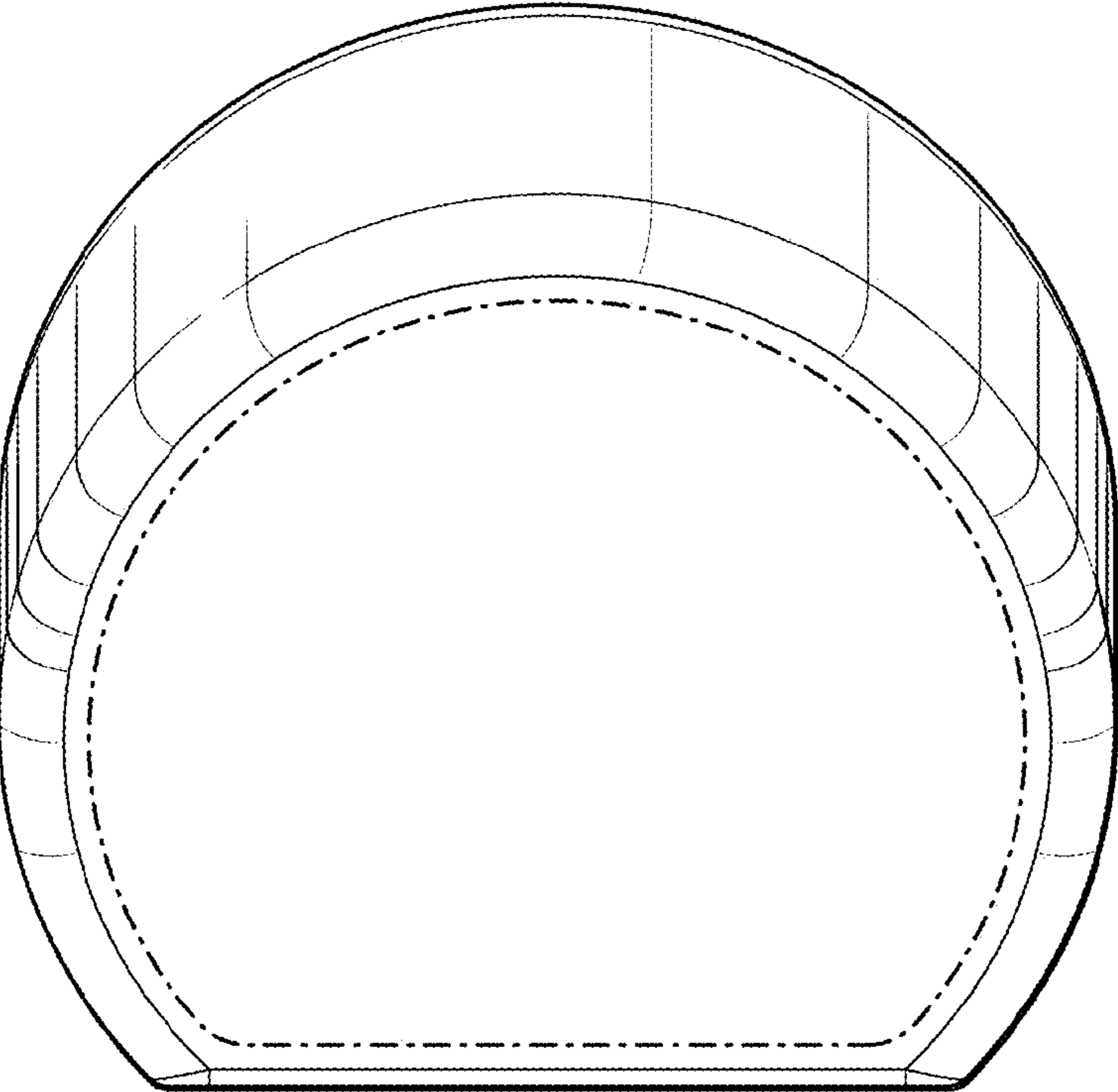


FIG. 4

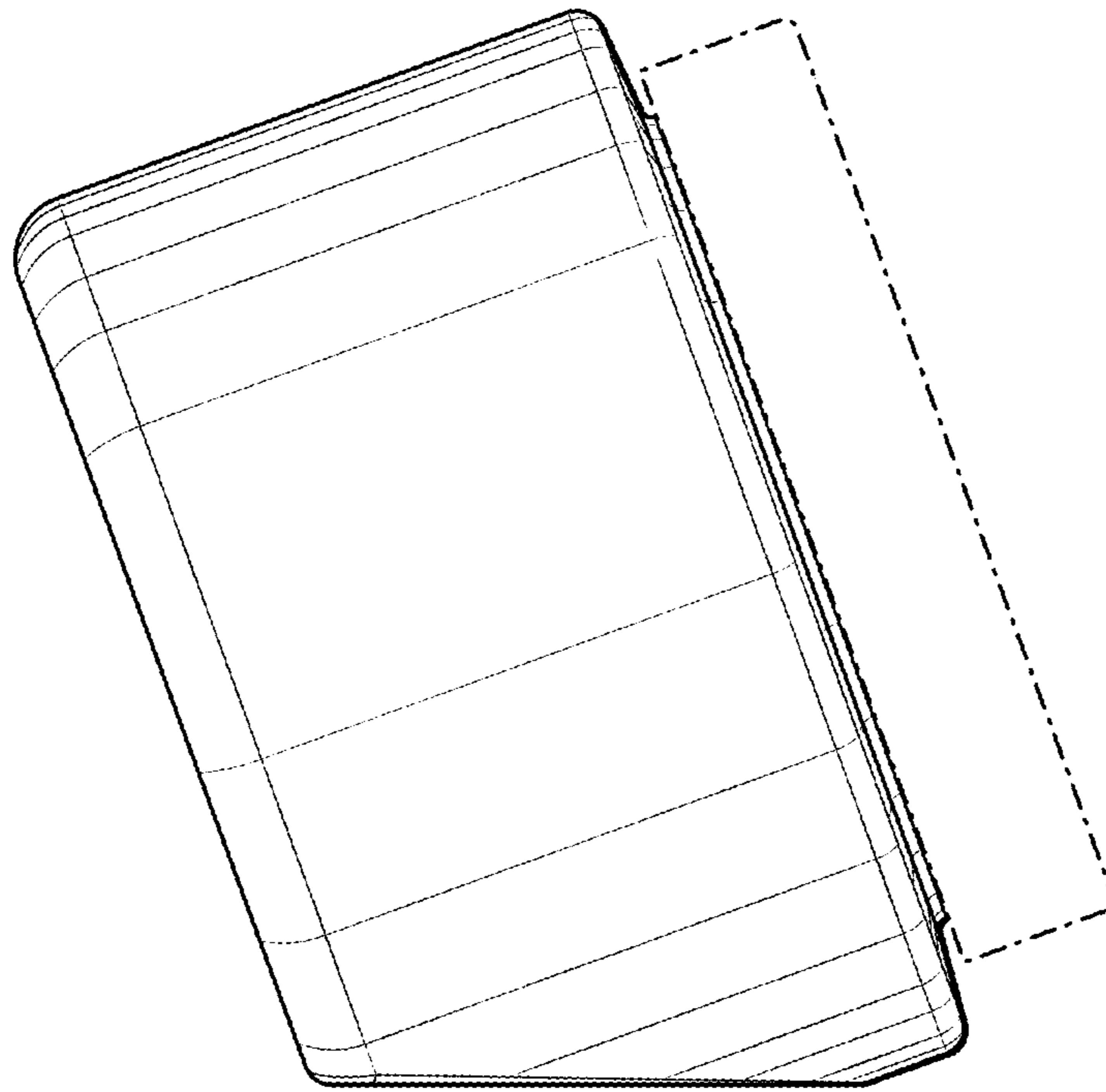


FIG. 5

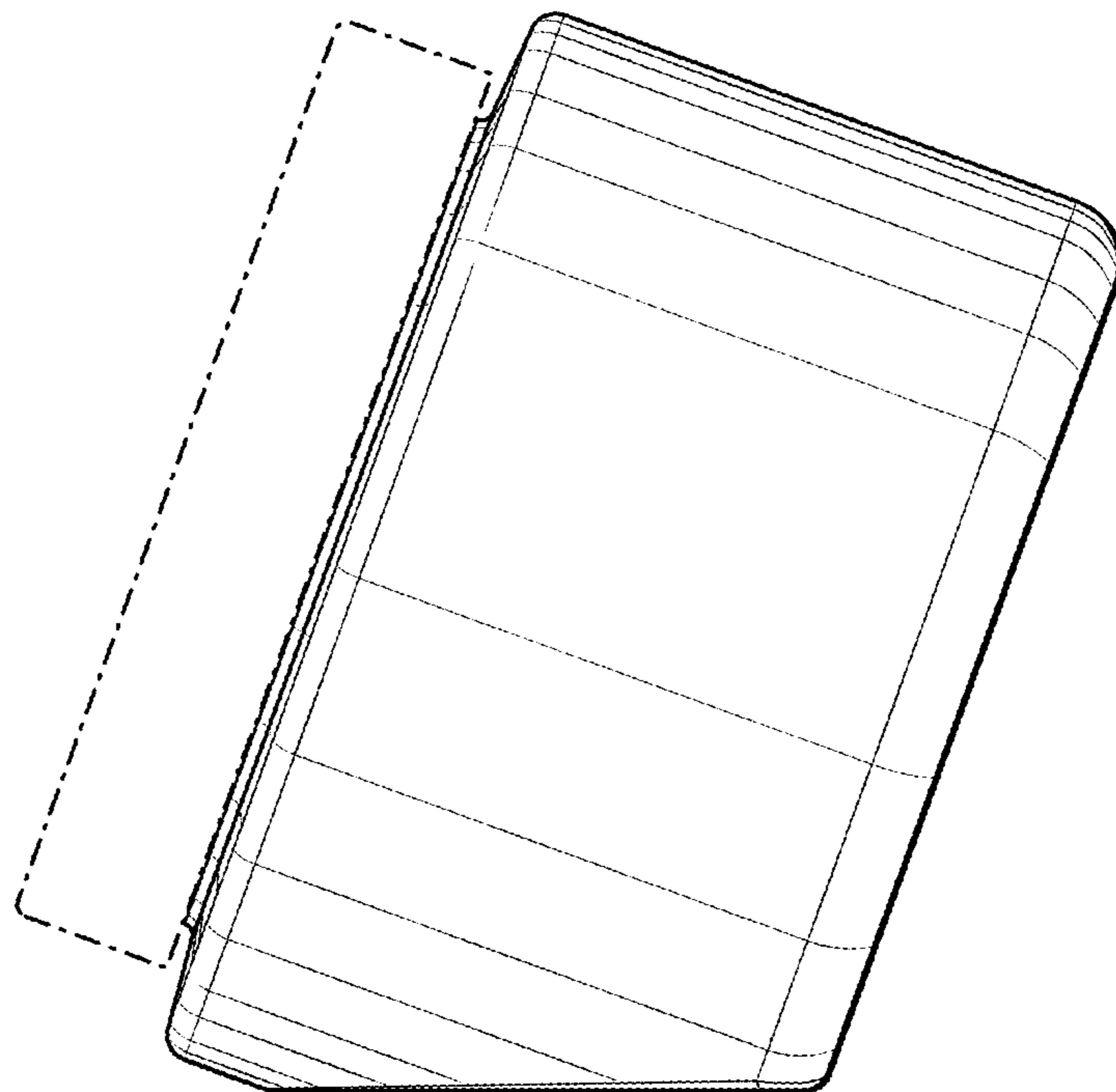


FIG. 6

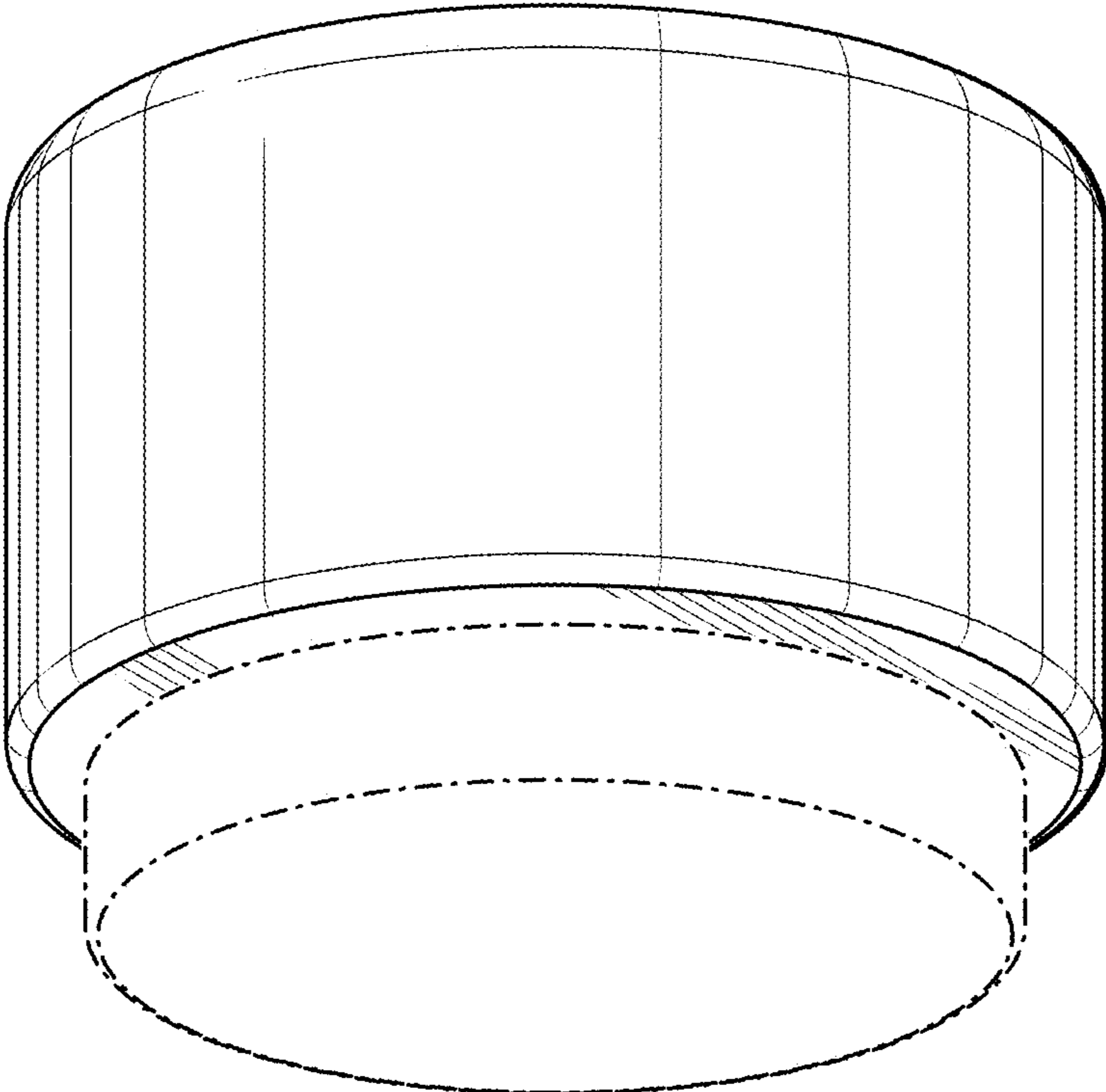


FIG. 7

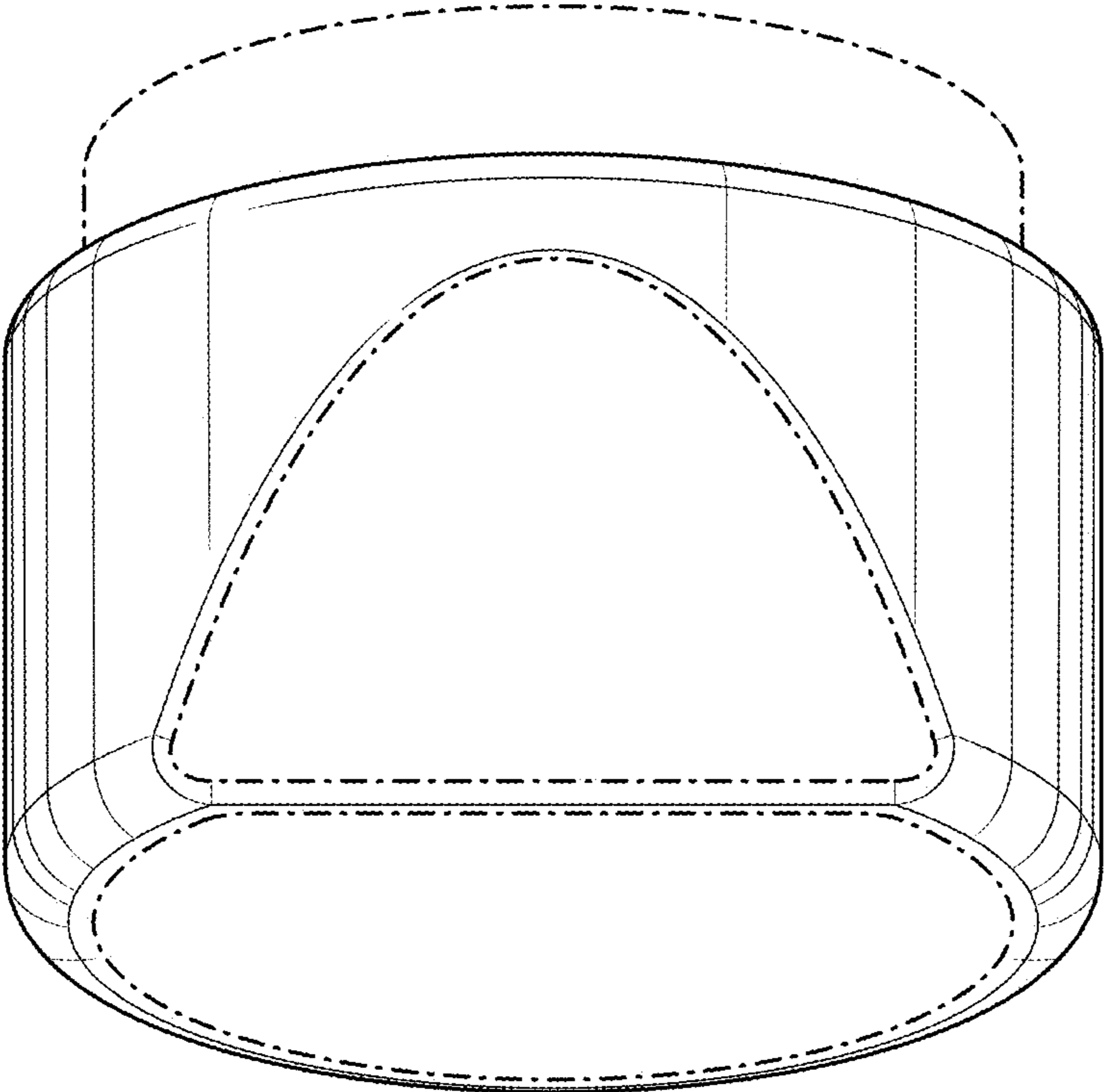


FIG. 8