



US00D966892S

(12) **United States Design Patent** (10) **Patent No.:** **US D966,892 S**  
**Cornehl et al.** (45) **Date of Patent:** **\*\* \*Oct. 18, 2022**

- (54) **BOTTLE**
- (71) Applicant: **By Quest LLC**, Union, NJ (US)
- (72) Inventors: **Ingrid Cornehl**, Morristown, NJ (US);  
**Sallie Reynolds Allen**, Charleston, SC (US)
- (73) Assignee: **By Quest LLC**, Union, NJ (US)
- (\*) Notice: This patent is subject to a terminal disclaimer.
- (\*\*) Term: **15 Years**
- (21) Appl. No.: **29/773,709**
- (22) Filed: **Mar. 11, 2021**

**Related U.S. Application Data**

- (62) Division of application No. 29/716,760, filed on Dec. 11, 2019, now Pat. No. Des. 934,691.
- (51) **LOC (13) Cl.** ..... **09-01**
- (52) **U.S. Cl.**  
USPC ..... **D9/516; D9/500**
- (58) **Field of Classification Search**  
USPC ..... D9/428, 454, 500-505, 516, 529, 537,  
D9/545, 549, 551, 573-575, 688, 738,  
D9/767, 772, 538, 539, 540, 552, 560,  
D9/544, 553, 628; D28/4, 8, 76, 78, 79,  
D28/82, 91; D26/6, 22; D7/316, 598,  
D7/603, 629, 597, 608  
CPC ..... B65D 7/04; B65D 1/165; B65D 45/24;  
B65D 1/0246; B65D 1/0207; Y10S  
220/906; B21D 51/2615; A47G 19/2255  
See application file for complete search history.

(56) **References Cited**

**U.S. PATENT DOCUMENTS**

- D9,417 S 8/1876 Fetters
- D19,726 S 3/1890 Stent

- D21,509 S 4/1892 Oberfelder
  - D24,464 S 7/1895 De Witt
  - D25,048 S 1/1896 Sherwood
  - D25,402 S 4/1896 Nelson
  - D27,320 S 7/1897 Murphy
  - 1,647,175 A 11/1927 Grunberg
  - D76,129 S 8/1928 Edwards
  - D80,709 S 3/1930 Teague
  - D86,629 S 3/1932 Nitardy
- (Continued)

**FOREIGN PATENT DOCUMENTS**

- CN 3512063 3/2006
  - CN 3516409 4/2006
- (Continued)

**OTHER PUBLICATIONS**

Notice of Allowance dated Mar. 18, 2021, issued in connection with U.S. Appl. No. 29/716,760 (5 pages).  
(Continued)

*Primary Examiner* — Brett Miller  
*Assistant Examiner* — Rani J Abdallah  
(74) *Attorney, Agent, or Firm* — McCarter & English, LLP

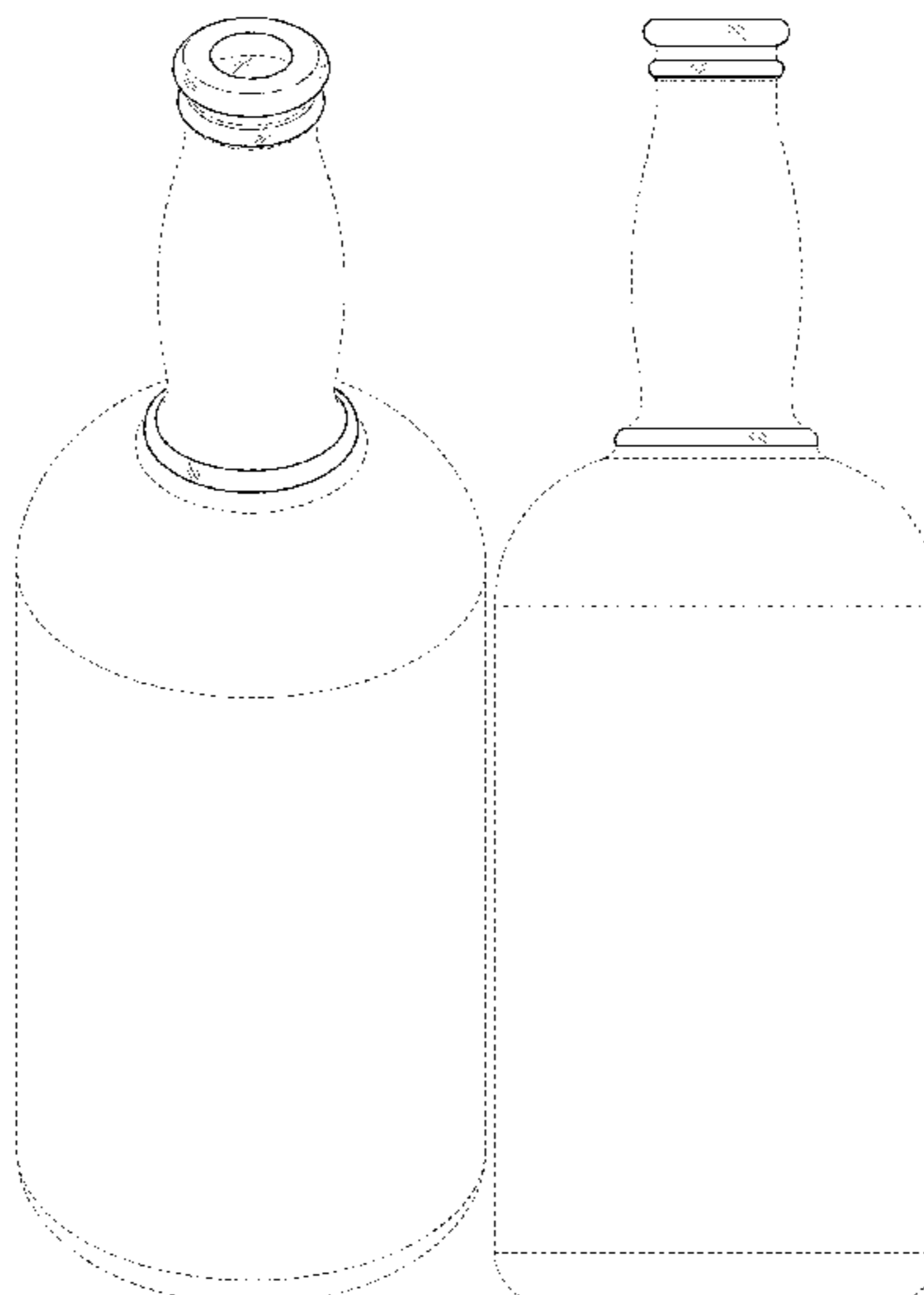
(57) **CLAIM**

The ornamental design for a bottle, as shown and described.

**DESCRIPTION**

FIG. 1 is a perspective view of a bottle showing our new design;  
FIG. 2 is a front view thereof, the rear, right side and left side views being substantially identical;  
FIG. 3 is a top view thereof; and,  
FIG. 4 is a bottom view thereof.  
The broken lines in FIGS. 1-4 are included for the purpose of illustrating environment and form no part of the claimed design.

**1 Claim, 3 Drawing Sheets**



(56)

## References Cited

## U.S. PATENT DOCUMENTS

D86,680 S	4/1932	Mas	
D95,260 S	4/1935	Key	
D96,267 S	7/1935	Meyer	
D97,178 S	10/1935	Clevenger	
D99,434 S	4/1936	Furest	
D100,230 S	6/1936	Steelman	
D103,911 S	3/1937	Knox	
D105,540 S	8/1937	Smith	
D109,512 S	* 5/1938	Fuerst	D9/545
D158,365 S	5/1950	Fantel	
D172,090 S	5/1954	Du Pree	
D172,691 S	7/1954	Slavin	
D225,973 S	1/1973	Seteraklan	
D229,482 S	12/1973	Suhard	
D233,982 S	12/1974	De Graw	
D234,291 S	2/1975	Broadhead	
D237,778 S	11/1975	Lorgues	
D241,012 S	8/1976	Muller y de Abadal	
D241,916 S	* 10/1976	Barcelo de Terres	D9/544
D249,462 S	9/1978	Schwartz et al.	
D253,038 S	10/1979	Plummer	
D253,454 S	11/1979	Earle	
D257,579 S	12/1980	Hayes	
D260,611 S	9/1981	Balcells	
D264,937 S	6/1982	Groark	
D265,382 S	7/1982	Jonsson	
D279,547 S	7/1985	Tobias	
D326,812 S	6/1992	Noakes et al.	
D330,861 S	11/1992	Lower	
D339,517 S	9/1993	Jobit	
D379,765 S	6/1997	Hencher	
D384,887 S	10/1997	Rafflin	
D414,238 S	* 9/1999	Kupperman	D9/503
D434,661 S	12/2000	Zambrano V.	
D434,662 S	12/2000	Colonna	
D450,597 S	11/2001	Bobchenok et al.	
D452,648 S	1/2002	Jakubiuk	
D456,271 S	4/2002	Maloney	
D476,571 S	7/2003	Lince	
D477,533 S	7/2003	Kornick et al.	
D477,534 S	7/2003	Komick et al.	
D483,264 S	12/2003	Canepa	
D484,415 S	12/2003	Hadtke et al.	
D497,310 S	10/2004	Kratko	
D514,448 S	2/2006	Kuzma et al.	
D526,569 S	8/2006	Wurster et al.	
D530,207 S	10/2006	Brandt et al.	
D546,183 S	7/2007	Clutter	
D584,634 S	1/2009	Perez et al.	
D585,755 S	2/2009	Dodge et al.	
D590,721 S	4/2009	Martinez De San Vicente	
D591,159 S	4/2009	Pagliari	
D595,134 S	6/2009	Rica	
D597,413 S	8/2009	Teuscher	
D606,408 S	* 12/2009	Kulsveen	D9/500
D622,600 S	8/2010	Bradfield et al.	
D623,534 S	* 9/2010	Shearsby	D9/652
D626,419 S	11/2010	Adamson	
D635,857 S	4/2011	Lauret	
D636,677 S	4/2011	Diez et al.	
D652,301 S	1/2012	Pelkey	
D653,117 S	1/2012	Murphy	
D653,551 S	2/2012	Murphy	
D653,558 S	* 2/2012	Kania	D9/652
D654,794 S	2/2012	Morais et al.	
D655,172 S	3/2012	Brooks et al.	
D655,177 S	3/2012	Gonzalez Rodriguez	
D657,245 S	* 4/2012	Delbon	D9/500
D658,995 S	* 5/2012	Potts	D9/500
D658,997 S	5/2012	Potts	
D661,587 S	* 6/2012	Rodriguez	D9/500
D669,355 S	10/2012	Gonzalez Rodriguez	
D669,356 S	* 10/2012	Jacober	D9/500
D673,854 S	* 1/2013	James	D9/500
D678,068 S	3/2013	Huang	
D679,600 S	4/2013	Gonzalez Rodriguez	
D687,312 S	* 8/2013	Biscardo	D9/500
D688,948 S	9/2013	Gonzalez Rodriguez	
D689,332 S	9/2013	Krasner	
D691,475 S	10/2013	Potts	
D696,116 S	12/2013	Jacober et al.	
D696,945 S	1/2014	Newman	
D697,417 S	1/2014	Maczassek	
D697,423 S	1/2014	Infahsaeng	
D698,256 S	* 1/2014	Thompson	D9/574
D698,647 S	2/2014	Maillet et al.	
D698,648 S	2/2014	Letamendi	
D705,073 S	5/2014	Pluta	
D706,634 S	* 6/2014	Herman	D9/500
D707,126 S	6/2014	Pizzolo	
D719,030 S	12/2014	Perez-Cabrera	
D723,923 S	* 3/2015	Smith	D9/500
D723,924 S	* 3/2015	Laib	D9/500
D725,471 S	3/2015	Jacober et al.	
D725,472 S	3/2015	Jacober et al.	
D731,318 S	6/2015	Monaghan et al.	
D732,961 S	6/2015	Neave	
D739,731 S	9/2015	Jones	
D739,732 S	9/2015	Jones	
D741,719 S	10/2015	Reynolds	
D743,259 S	11/2015	Delacourt et al.	
D752,447 S	3/2016	Reynolds	
D761,655 S	7/2016	Chung	
D765,509 S	* 9/2016	Laib	D9/500
D765,510 S	* 9/2016	Laib	D9/500
D766,092 S	9/2016	Maillet et al.	
D782,321 S	3/2017	Ihorovych	
D786,076 S	* 5/2017	Redondo	D9/500
D786,687 S	5/2017	Cooper	
D787,332 S	5/2017	Peneda	
D790,279 S	6/2017	Izen et al.	
D792,231 S	7/2017	Thompson	
D799,323 S	10/2017	Verde	
D799,968 S	10/2017	Harris	
D799,969 S	10/2017	Harris	
D800,559 S	10/2017	Gonzalez Rodriguez	
D804,309 S	12/2017	Hines	
D807,177 S	1/2018	Belinsky et al.	
D813,675 S	* 3/2018	Matauch	D9/500
D813,677 S	* 3/2018	Pelkey	D9/500
D815,527 S	* 4/2018	Harris	D9/500
D815,530 S	* 4/2018	Paredes	D9/500
D815,541 S	4/2018	Harris et al.	
D815,543 S	* 4/2018	Mazzer	D9/537
D815,946 S	4/2018	Thompson et al.	
D824,764 S	* 8/2018	Miller	D9/500
D829,101 S	9/2018	Spivey et al.	
D830,826 S	* 10/2018	Bae	D9/445
D837,657 S	* 1/2019	Jerez Quintana	D9/545
D845,138 S	4/2019	Atkins	
D847,636 S	* 5/2019	Harris	D9/500
D847,646 S	* 5/2019	Harris	D9/516
D847,648 S	* 5/2019	Birkhoff	D9/516
D847,649 S	* 5/2019	Harris	D9/516
D850,266 S	* 6/2019	Harris	D9/516
D873,665 S	1/2020	Yen	
D878,572 S	3/2020	Davis et al.	
D882,406 S	4/2020	Bulfoni	
D883,089 S	5/2020	Welch	
D883,090 S	5/2020	Feletto	
D885,194 S	5/2020	Bottega	
D891,254 S	7/2020	Cornehl et al.	
D892,618 S	8/2020	Feletto	
D893,309 S	8/2020	Van Skaik et al.	
D898,574 S	10/2020	Lauret	
D900,617 S	11/2020	Repellin	
D903,497 S	12/2020	Cornehl et al.	
D906,817 S	1/2021	Abercrombie et al.	
D910,447 S	2/2021	Feletto	
D912,519 S	3/2021	Cornehl et al.	



(56)

**References Cited**

U.S. PATENT DOCUMENTS

D918,051 S      5/2021   Sanghavi  
2016/0214764 A1    7/2016   Cukman et al.

FOREIGN PATENT DOCUMENTS

CN                3590291        12/2006  
CN                302708339      1/2014  
CN                304897463      11/2018

OTHER PUBLICATIONS

Office Action dated Feb. 12, 2021, issued in connection with U.S. Appl. No. 29/716,760 (10 pages).  
Notice of Allowance dated Apr. 9, 2020, issued in connection with U.S. Appl. No. 29/716,759 (11 pages).  
Office Action dated Jul. 9, 2020, issued in connection with U.S. Appl. No. 29/737,750 (6 pages).  
Notice of Allowance dated Jul. 28, 2020, issued in connection with U.S. Appl. No. 29/737,754 (9 pages).

Notice of Allowance dated Nov. 25, 2020, issued in connection with U.S. Appl. No. 29/737,750 (8 pages).  
Office Action dated Feb. 25, 2021, issued in connection with U.S. Appl. No. 29/716,761 (13 pages).  
Notice of Allowance dated Mar. 19, 2021, issued in connection with U.S. Appl. No. 29/716,762 (5 pages).  
Office Action dated Feb. 12, 2021, issued in connection with U.S. Appl. No. 29/716,762 (9 pages).  
Office Action dated Jul. 2, 2021, issued in connection with U.S. Appl. No. 29/773,736 (10 pages).  
Office Action dated Jul. 2, 2021, issued in connection with U.S. Appl. No. 29/773,750 (8 pages).  
Office Action dated Jul. 2, 2021, issued in connection with U.S. Appl. No. 29/773,742 (10 pages).  
Office Action dated Jul. 2, 2021, issued in connection with U.S. Appl. No. 29/773,747 (9 pages).  
Office Action dated Jul. 2, 2021, issued in connection with U.S. Appl. No. 29/773,708 (10 pages).  
Notice of Allowance dated Jul. 9, 2021, issued in connection with U.S. Appl. No. 29/716,762 (5 pages).  
Notice of Allowance dated Jul. 8, 2021, issued in connection with U.S. Appl. No. 29/716,760 (5 pages).

\* cited by examiner

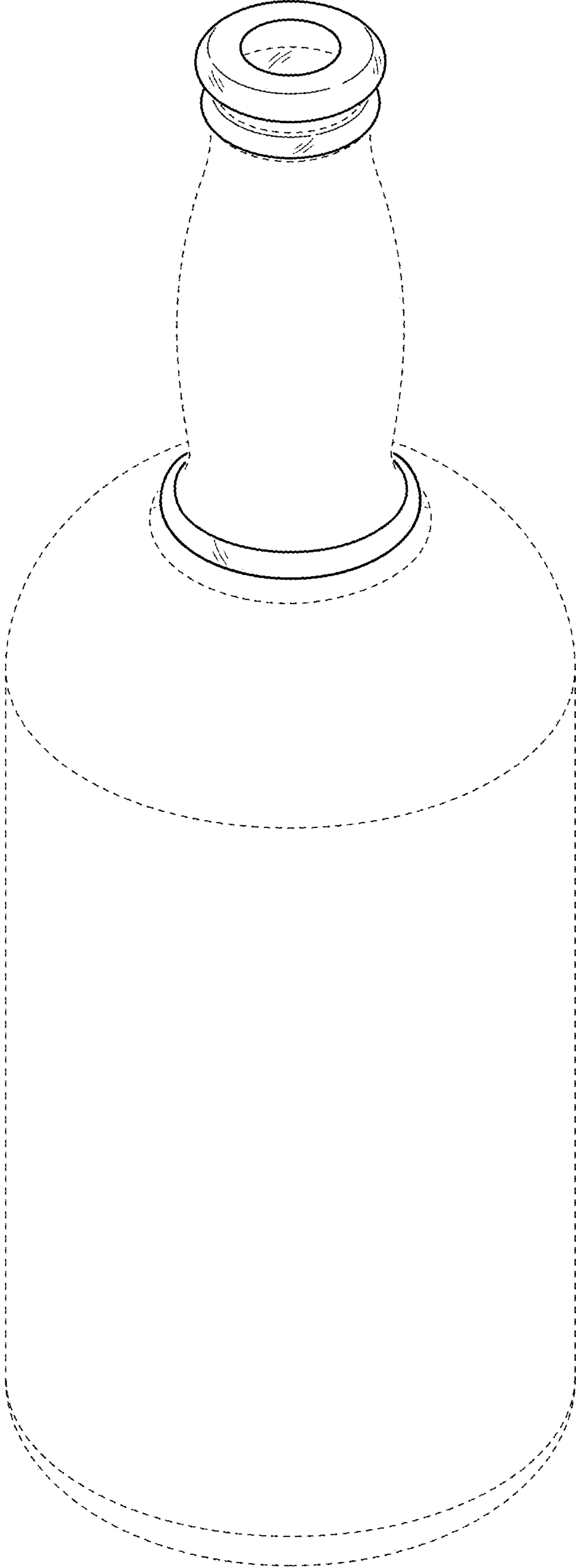


FIG. 1

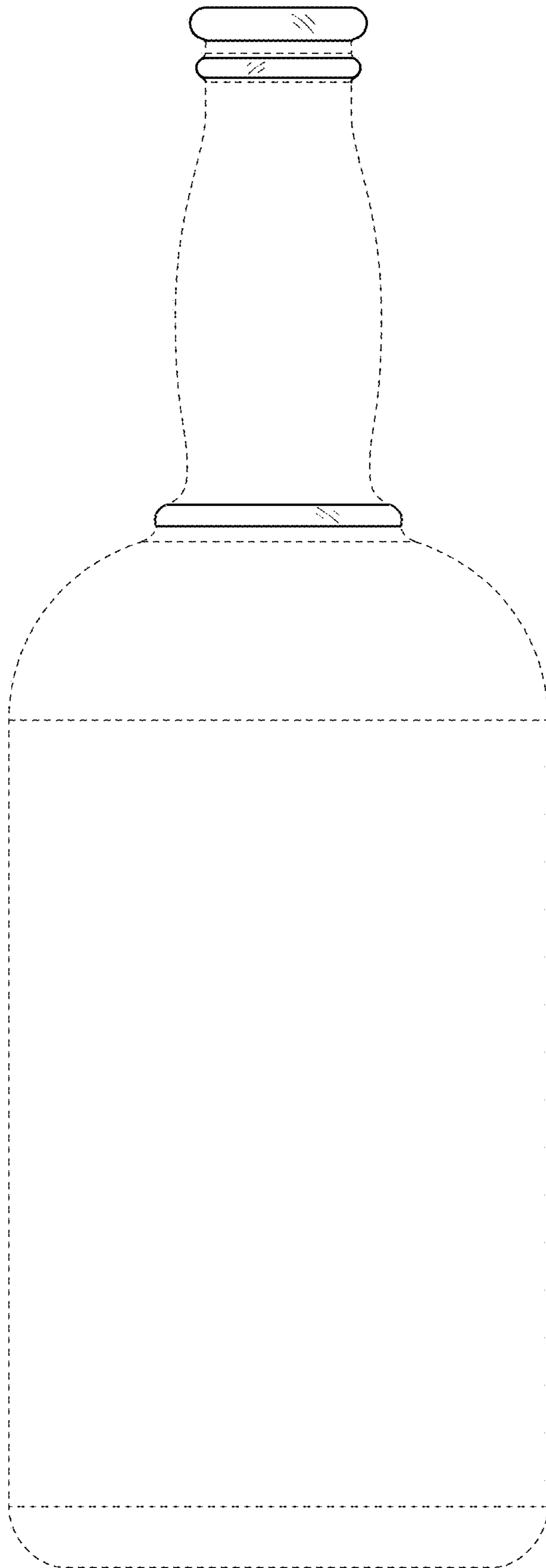
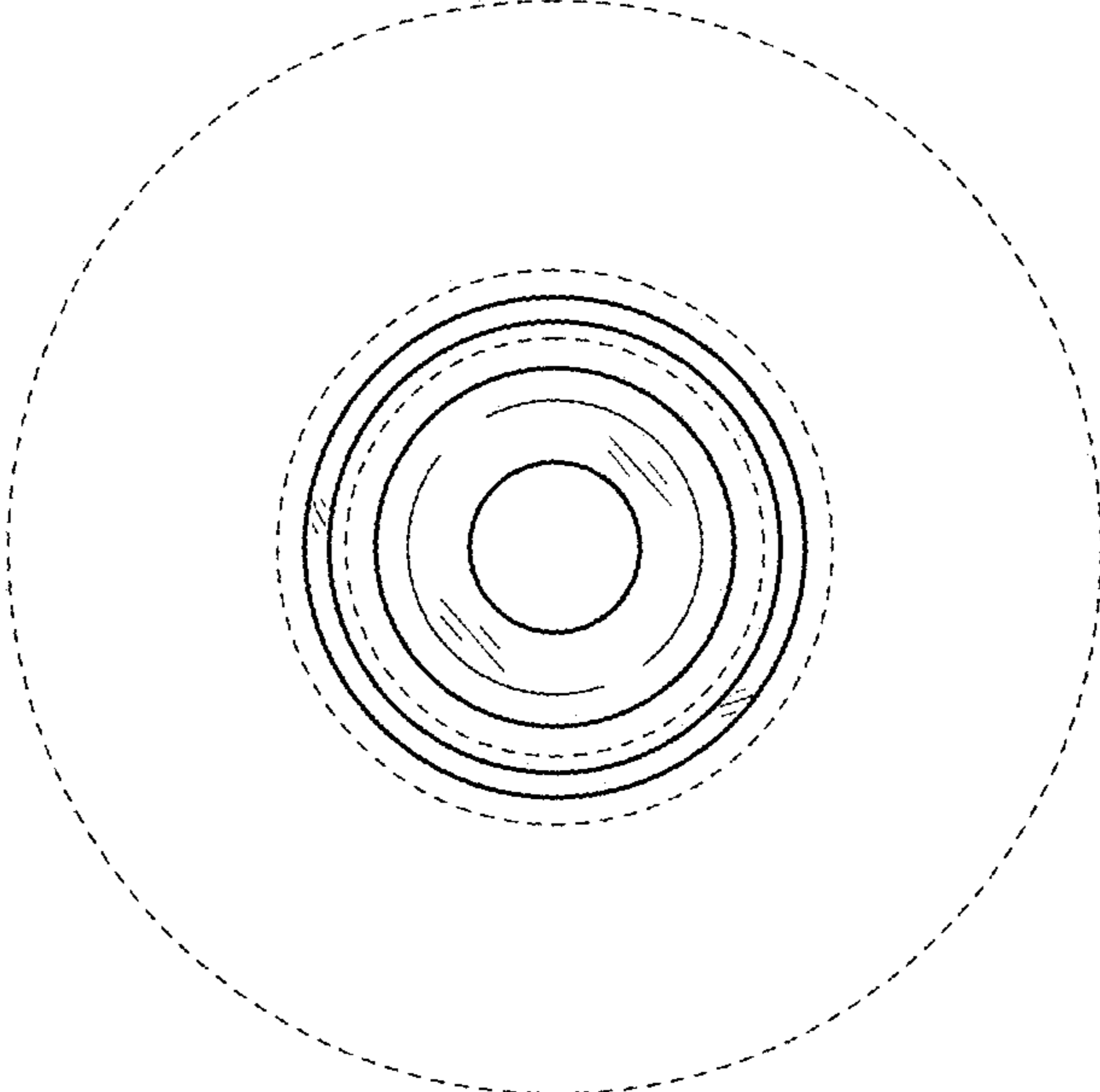
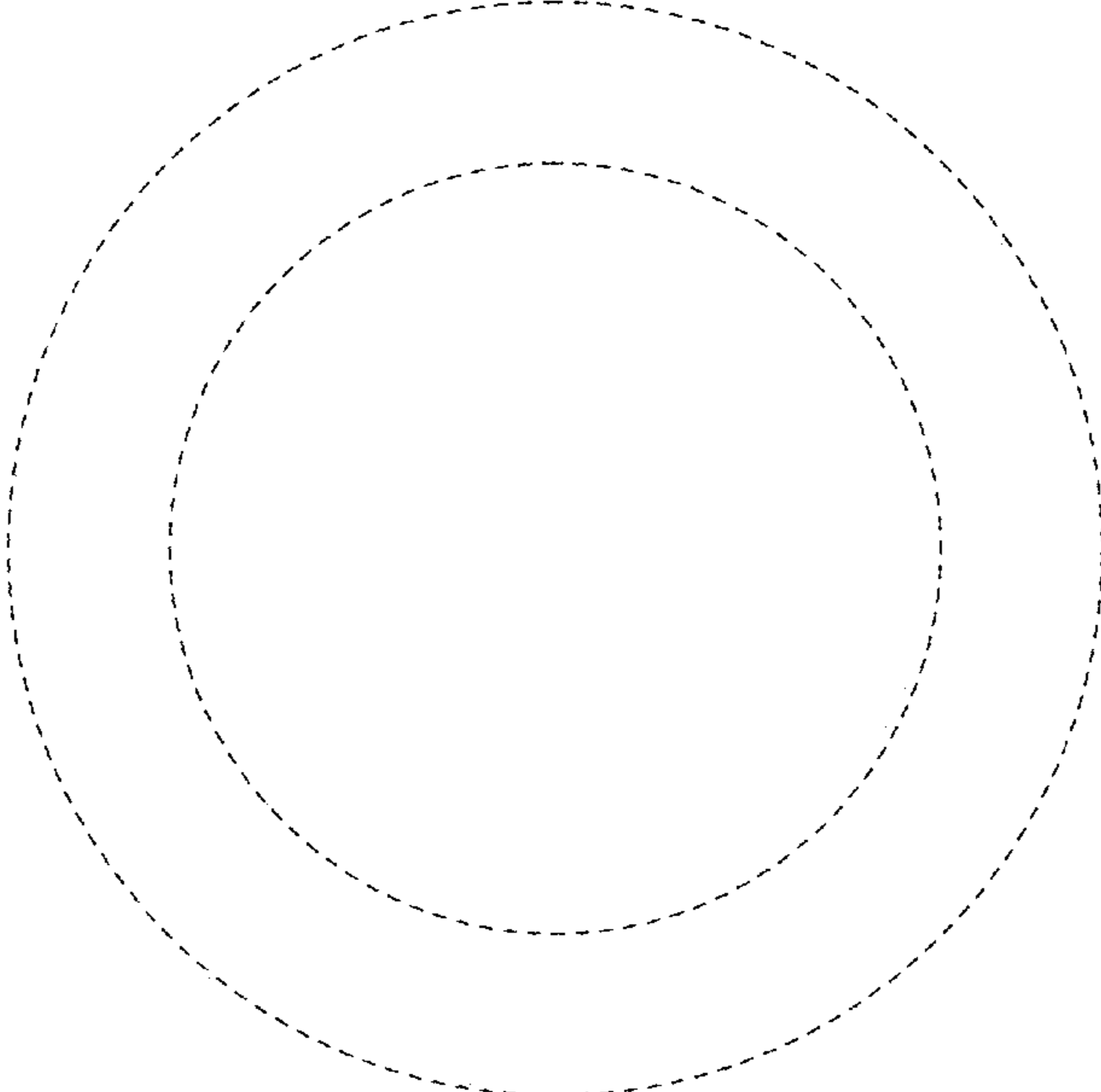


FIG. 2



**FIG. 3**



**FIG. 4**