



US00D966888S

(12) **United States Design Patent** (10) **Patent No.:** **US D966,888 S**
Rolfs et al. (45) **Date of Patent:** **** Oct. 18, 2022**

(54) **LID**
(71) Applicant: **Kimberly-Clark Worldwide, Inc.**,
Neenah, WI (US)
(72) Inventors: **Bryan Eliot Rolfs**, Chicago, IL (US);
Jeremy T. Gauger, Neenah, WI (US);
Maggie VanderHeiden Berger,
Neenah, WI (US); **Amanda Ann**
Thelen, Appleton, WI (US); **Heidi**
Ellen Gehrke, Neenah, WI (US)
(73) Assignee: **Kimberly-Clark Worldwide, Inc.**,
Neenah, WI (US)
(**) Term: **15 Years**
(21) Appl. No.: **29/726,843**
(22) Filed: **Mar. 5, 2020**
(51) **LOC (13) Cl.** **09-07**
(52) **U.S. Cl.**
USPC **D9/434**; D9/435
(58) **Field of Classification Search**
USPC D7/392.1, 396.2; D9/434-436, 440, 443,
D9/445, 447, 449, 454, 499, 414, 420,
D9/430, 432, 731, 734; D3/203.1, 203.2,
D3/203.4; D6/515, 517, 518, 522;
D28/82
CPC A47K 10/42; A47K 2010/3266; B65D
43/169; B65D 43/26; B65D 47/088;
B65D 75/5894; B65D 83/0805
See application file for complete search history.

(56) **References Cited**
U.S. PATENT DOCUMENTS
3,607,442 A * 9/1971 Hall H01M 50/571
204/196.24
4,127,969 A * 12/1978 Hoshi H01L 21/02027
257/E29.022

4,362,351 A * 12/1982 Wible H02K 5/225
439/926
4,721,478 A * 1/1988 Sonobe H01R 13/4367
439/589
D350,697 S * 9/1994 Sidman D9/451
5,727,958 A * 3/1998 Chen H01R 13/447
174/67

(Continued)

FOREIGN PATENT DOCUMENTS

WO 2019045730 A1 3/2019

OTHER PUBLICATIONS

Agency Spy. We Hear: JWT Eliminated From Global Kimberly-Clark Review as Ogilvy Hangs On. Mar. 2, 2018. <https://www.adweek.com/agencyspy/we-hear-jwt-eliminated-from-global-kimberly-clark-review-as-ogilvy-hangs-on/144226/> (Year: 2018).*

(Continued)

Primary Examiner — Darcey E Gottschalk
(74) *Attorney, Agent, or Firm* — Banner & Witcoff, Ltd.

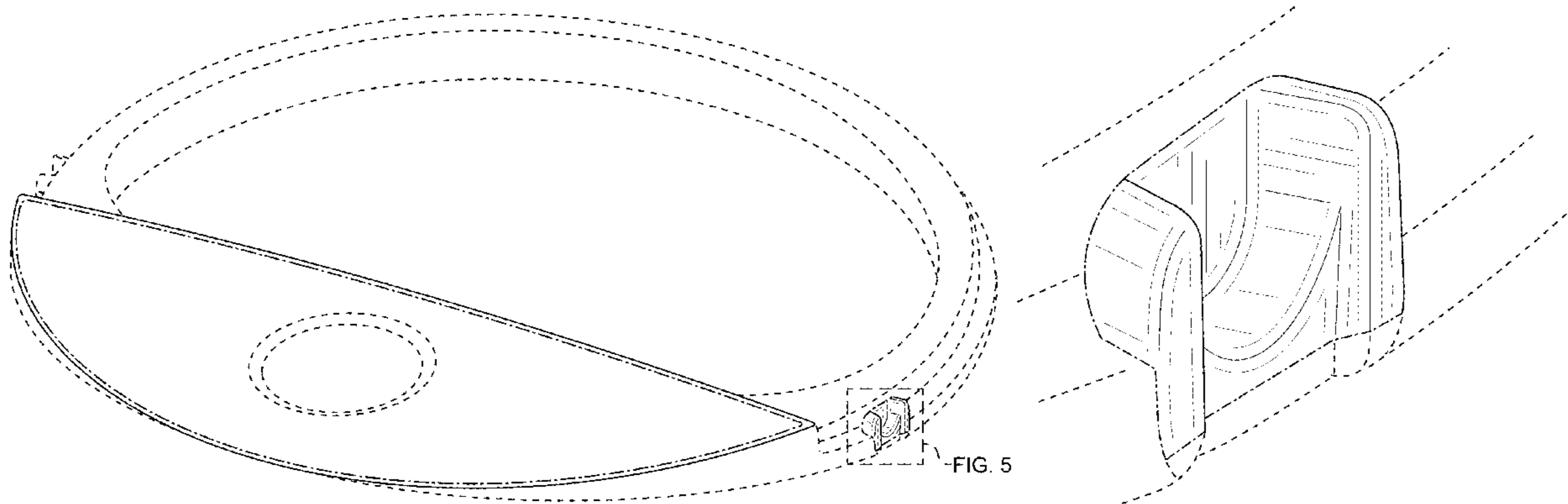
(57) **CLAIM**
The ornamental design for a lid, as shown and described.

DESCRIPTION

FIG. 1 is a top, front, left perspective view of the lid;
FIG. 2 is a top, front, right perspective view thereof, wherein some unclaimed subject matter has been omitted for clarity;
FIG. 3 is a rear view thereof;
FIG. 4 is a top view thereof; and,
FIG. 5 is an enlarged view taken from the broken line section 5 of FIG. 2.

In the drawings, the even-length broken lines depict environment and portions of the lid that form no part of the claim. The uneven-length broken lines immediately adjacent to the shaded surfaces and solid lines represent boundaries of the claimed design and form no part thereof.

1 Claim, 5 Drawing Sheets



(56)

References Cited

U.S. PATENT DOCUMENTS

D402,280 S * 12/1998 Goodman D14/458
 D404,868 S * 1/1999 Conn D34/11
 D427,482 S * 7/2000 Mittmann D7/354
 D431,458 S * 10/2000 Bried D9/414
 D456,713 S * 5/2002 Bried D9/449
 D468,419 S * 1/2003 Vesterlund D24/106
 D537,341 S * 2/2007 Liebe D9/449
 D624,356 S * 9/2010 Davies D7/392.1
 D644,062 S * 8/2011 Lorenz D7/396.2
 D712,751 S 9/2014 Bechyne et al.
 D719,847 S 12/2014 Li et al.
 D726,537 S * 4/2015 Trombetta D9/454
 9,399,540 B2 7/2016 Bushman et al.
 D778,157 S * 2/2017 Trombetta D9/438
 D784,811 S * 4/2017 Scevola D9/434
 D794,456 S * 8/2017 Rockwell D9/434
 D849,533 S * 5/2019 Broyles D9/434
 D851,984 S * 6/2019 Hill D7/392.1
 10,349,790 B2 7/2019 Fulscher et al.
 D881,699 S * 4/2020 Bradbury D9/434
 D884,472 S * 5/2020 Matauch D7/392.1

D896,026 S * 9/2020 Chu D9/439
 D901,237 S * 11/2020 Matauch D7/392.1
 10,894,656 B2 * 1/2021 Lange A47K 10/421
 D911,169 S * 2/2021 Matauch D7/392.1
 D912,514 S * 3/2021 Moon D9/449
 D937,087 S * 11/2021 Gauger D9/434
 D937,675 S * 12/2021 Berger D9/449
 D951,088 S * 5/2022 Wikstrom D9/435
 2020/0221889 A1 * 7/2020 Brenner B65D 51/242
 2020/0260922 A1 * 8/2020 Rolfs A47K 10/42
 2021/0244214 A1 * 8/2021 Springer A47G 19/2272

OTHER PUBLICATIONS

Nonwovens Industry. Kimberly-Clark Partners with Florida Waste-water Facilities. Jun. 4, 2019. https://www.nonwovens-industry.com/contents/view_breaking-news/2019-06-04/kimberly-clark-partners-with-wastewater-facility/ (Year: 2019).*
 WordPress. Wet Wipes Packaging Gets Decorative for the Home. Jul. 10, 2013. <https://perimeterbp.wordpress.com/tag/wet-wipes-packaging/> (Year: 2013).*

* cited by examiner

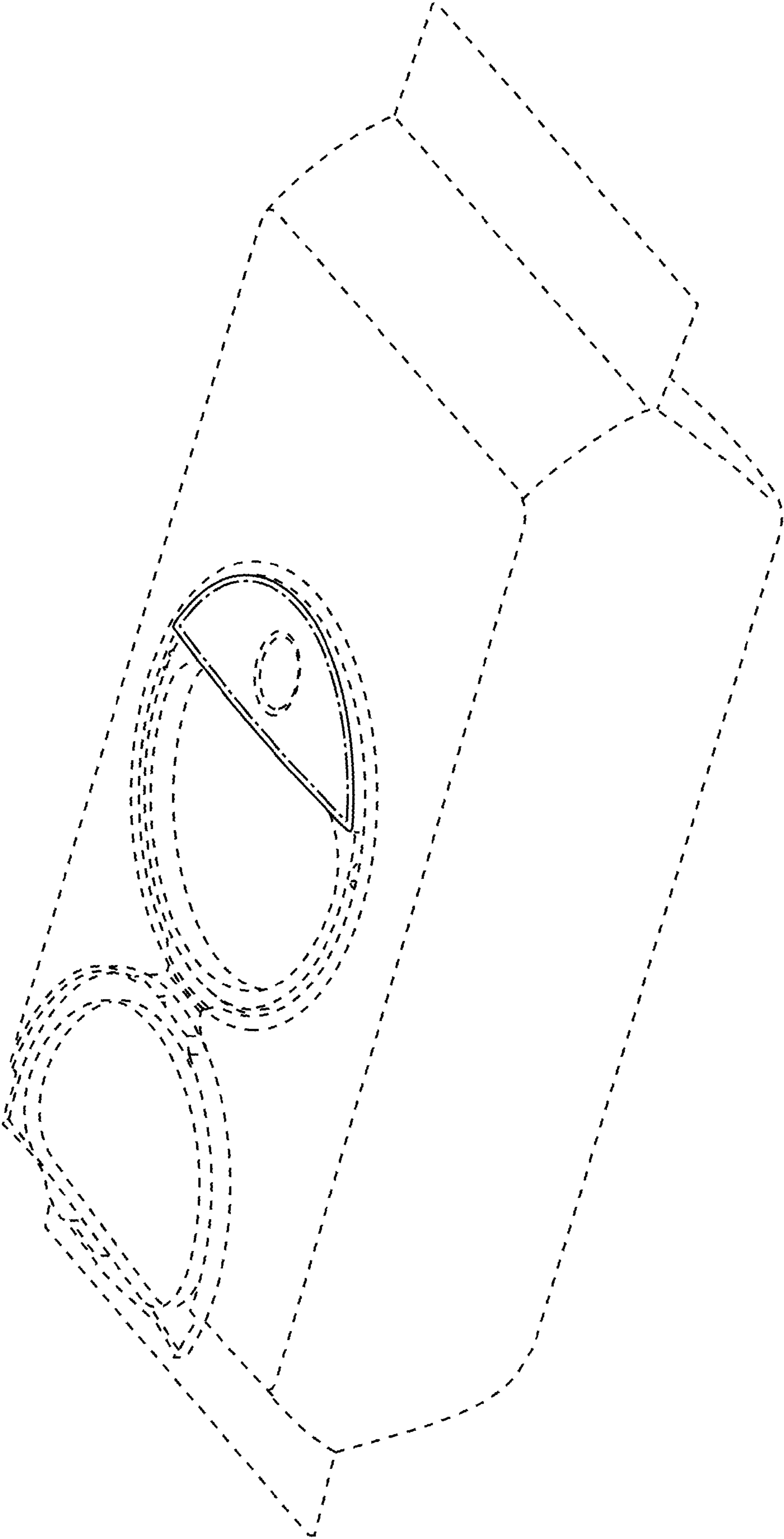


FIG. 1

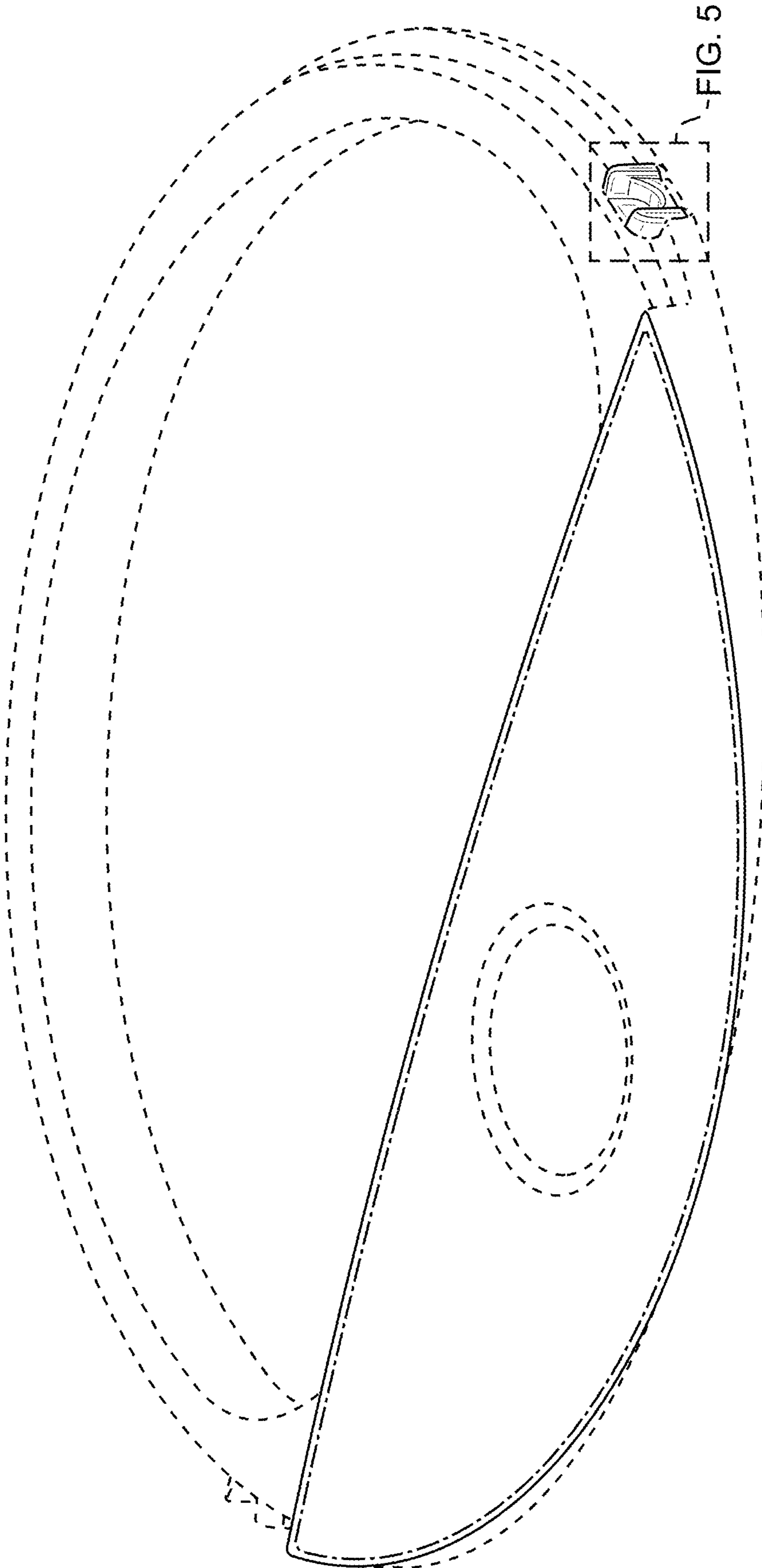


FIG. 2

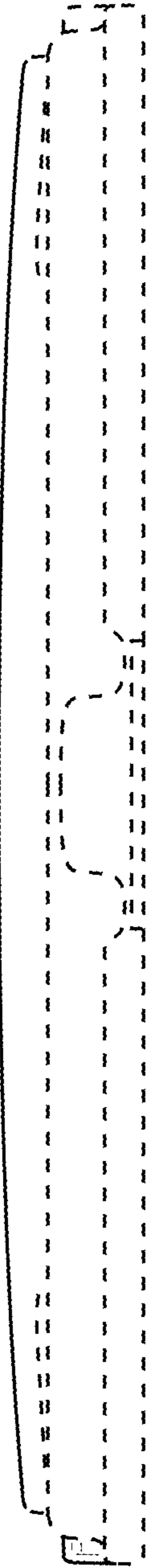


FIG. 3

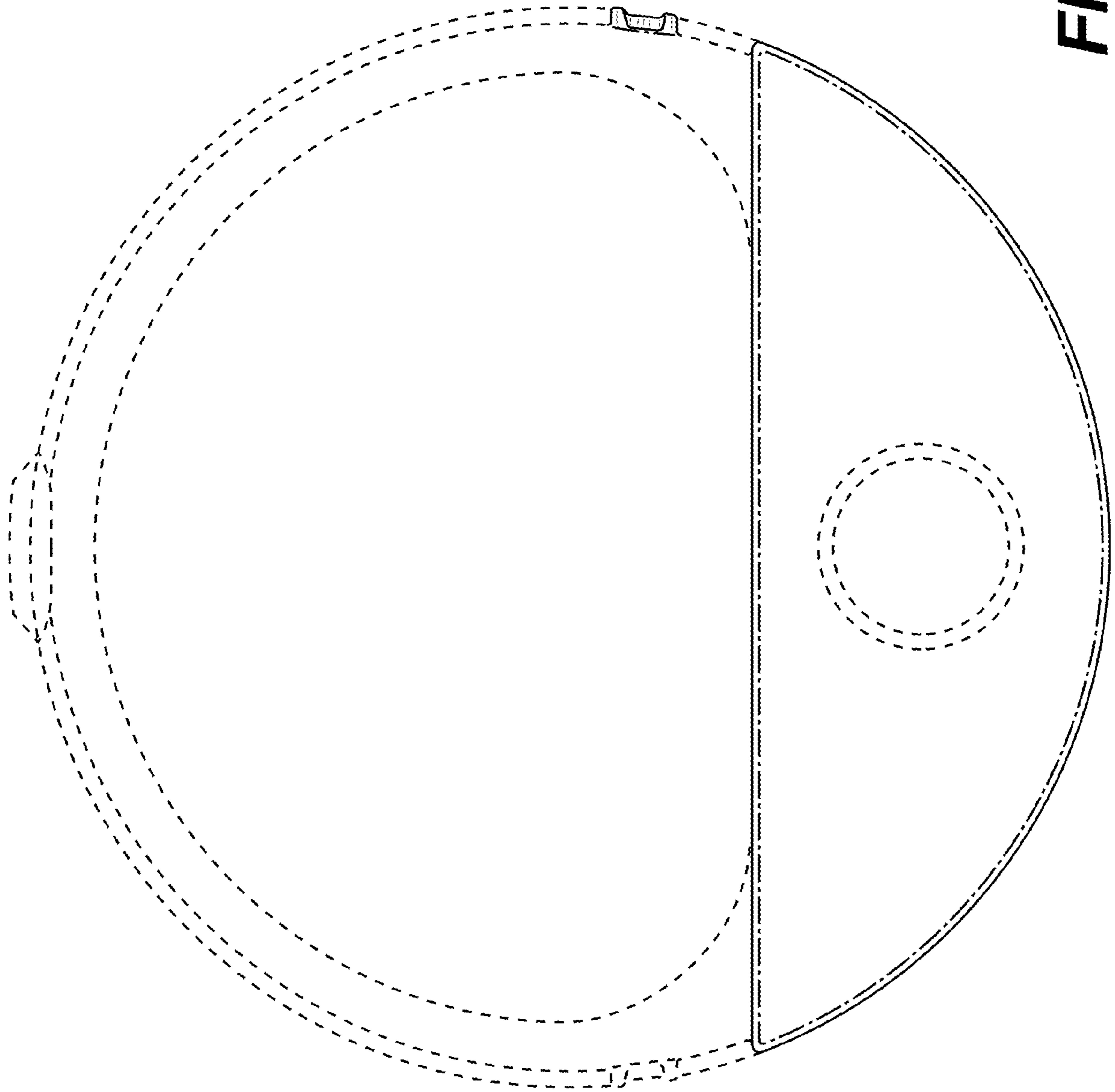


FIG. 4

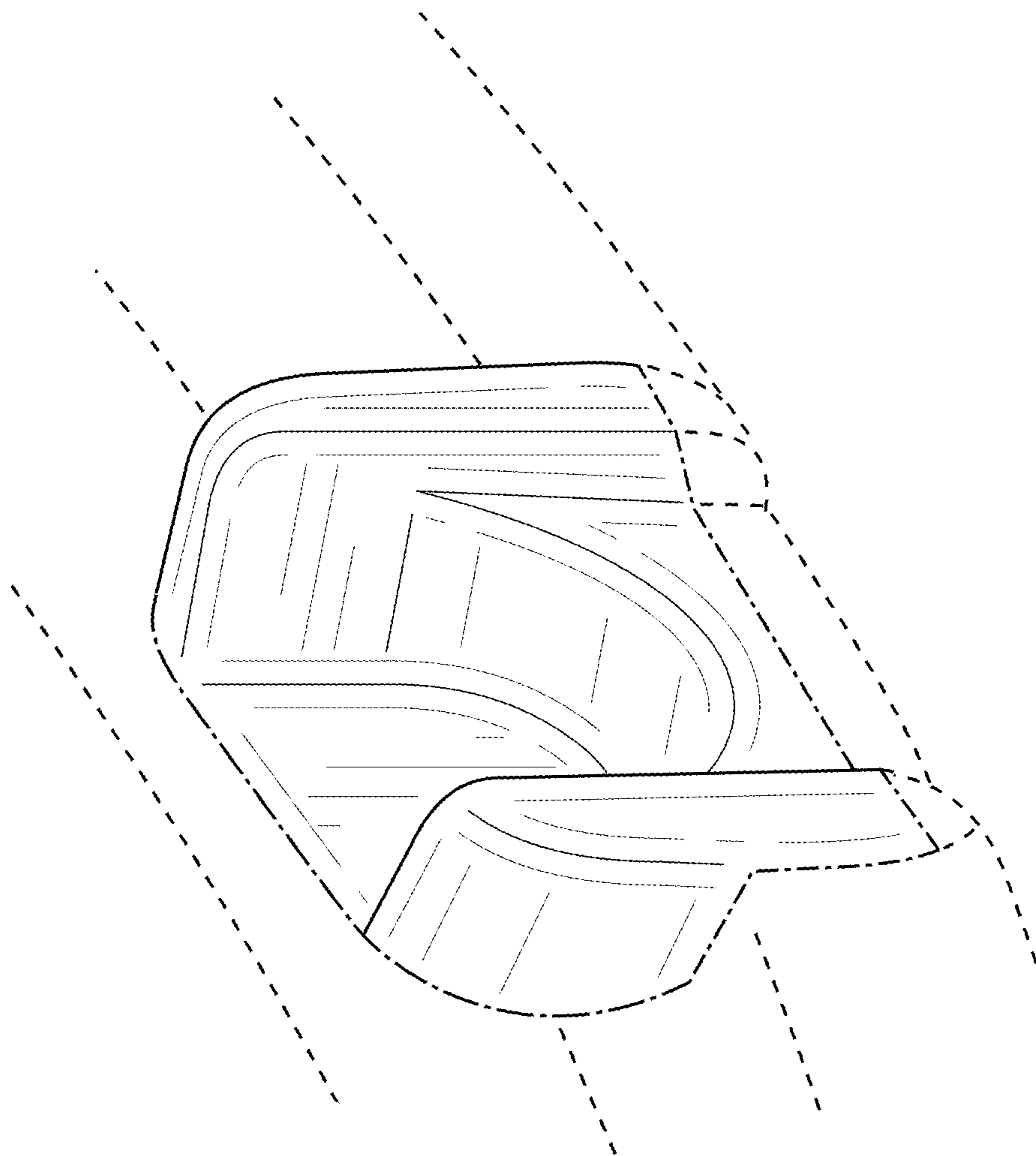


FIG. 5