

US00D966887S

(12) **United States Design Patent**
Matto

(10) **Patent No.:** **US D966,887 S**

(45) **Date of Patent:** **** Oct. 18, 2022**

(54) **FOOD CUP**

(71) Applicant: **PakPot Pty Ltd**, Wingfield (AU)

(72) Inventor: **Joe Matto**, Wingfield (AU)

(73) Assignee: **PAKPOT PTY LTD**

(**) Term: **15 Years**

(21) Appl. No.: **29/735,918**

(22) Filed: **May 26, 2020**

(51) **LOC (13) Cl.** **09-03**

(52) **U.S. Cl.**
USPC **D9/428**

(58) **Field of Classification Search**
USPC D9/500, 503, 504, 414-426, 428-435,
D9/772, 774, 776-779, 499; D7/601,
D7/602, 538, 546, 547, 549, 400, 540,
D7/630, 509-512, 523
CPC B65D 85/8043; B65D 2203/02; B65D
23/0864; B65D 23/08; B67C 11/00
See application file for complete search history.

(56) **References Cited**

U.S. PATENT DOCUMENTS

- 3,128,029 A * 4/1964 Price B65D 1/265
229/400
- 6,790,400 B1 9/2004 Mullter et al.
- D567,021 S * 4/2008 Bach D7/387
- D606,363 S * 12/2009 Aardenburg D7/400
- D684,044 S * 6/2013 Stowe D9/424
- D698,649 S * 2/2014 Quint D9/500
- D715,649 S * 10/2014 O'Brien D9/500
- D733,555 S * 7/2015 Brady D9/428
- D735,574 S * 8/2015 Brady D9/428
- D746,641 S * 1/2016 Panone D7/602
- D751,385 S * 3/2016 Rapparini D9/500
- D756,785 S * 5/2016 Bartoli D9/502
- D797,503 S * 9/2017 Robotti D7/400
- D804,900 S * 12/2017 Choe D7/509
- D805,353 S * 12/2017 Wong D7/523

- D810,571 S * 2/2018 Bartoli D9/502
- D815,925 S * 4/2018 Rapparini D9/500
- D817,757 S * 5/2018 Kim D9/429
- D825,335 S * 8/2018 Buck D9/500
- D850,920 S * 6/2019 Foster D9/516
- D856,750 S * 8/2019 Pucci D9/500
- D858,279 S * 9/2019 Trombetta D9/434
- D869,951 S * 12/2019 Yi D9/500
- D877,618 S * 3/2020 Baker D9/500
- D884,475 S * 5/2020 Rapparini D9/500

(Continued)

FOREIGN PATENT DOCUMENTS

- FR 2598650 5/1981
- JP 2003160140 6/2003

OTHER PUBLICATIONS

Youtube. Chobani Greek Yogurt Strawberry. Posted by FoodFolkz on Jan. 29, 2021. Visited Dec. 13, 2021. <https://www.youtube.com/watch?v=7-5m6wchUJU> (Year: 2021).*

(Continued)

Primary Examiner — Darcey E Gottschalk
Assistant Examiner — Vanessa M. Pursley
(74) *Attorney, Agent, or Firm* — Sand, Sebolt & Wernow Co., LPA

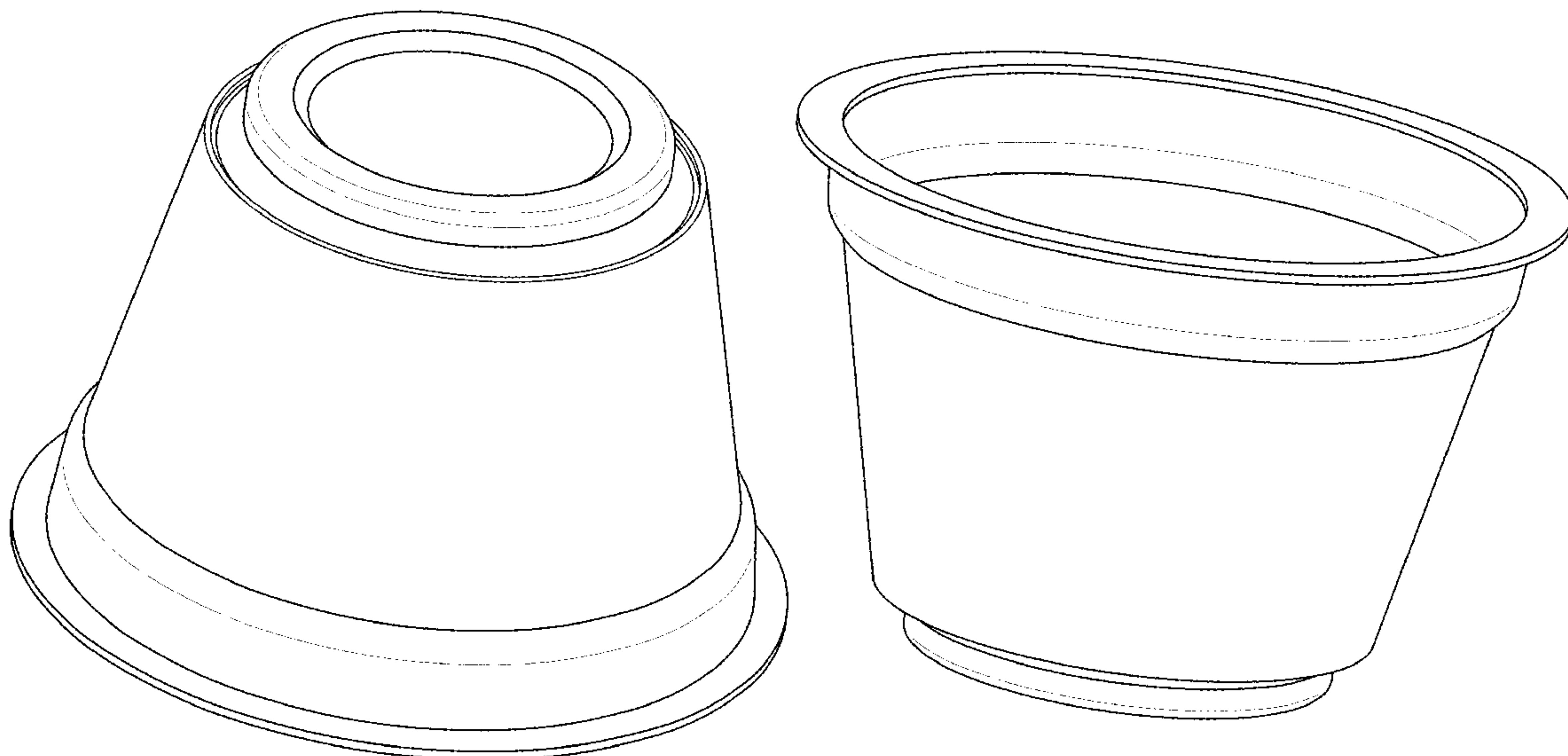
(57) **CLAIM**

The ornamental design for a food cup, as shown and described.

DESCRIPTION

FIG. 1 is a bottom perspective view of a food cup in accordance with my design;
FIG. 2 is a top perspective view thereof;
FIG. 3 is a side elevation view thereof; and,
FIG. 4 is a cross-sectional view of the food cup taken along line 4-4 of FIG. 3.

1 Claim, 4 Drawing Sheets



(56)

References Cited

U.S. PATENT DOCUMENTS

D885,189 S * 5/2020 Rapparini D9/500
 D889,907 S * 7/2020 Braukmann D7/400
 D908,480 S * 1/2021 Held D9/416
 D917,275 S * 4/2021 Gallay D9/416
 D922,194 S * 6/2021 Kazemahvazi D9/428
 D940,548 S * 1/2022 Krüger D9/416
 D942,216 S * 2/2022 Lin D7/509
 D947,667 S * 4/2022 Sanders D9/428
 D949,683 S * 4/2022 Shave D9/425
 D953,108 S * 5/2022 Krüger D7/400
 D955,167 S * 6/2022 Fedorak D7/400
 D955,874 S * 6/2022 Marino D9/425
 2011/0189350 A1 * 8/2011 Van Belleghem .. A47J 31/3628
 426/81
 2012/0139158 A1 6/2012 Mizukoshi
 2019/0193317 A1 6/2019 Hovatter et al.
 2021/0031978 A1 * 2/2021 Matto B29C 45/1418

OTHER PUBLICATIONS

Amazon. 365 by Whole Foods Market, Apple Sauce Unsweetened Organic. Review posted by Danitza Juliet on Sep. 16, 2019. Visited Dec. 13, 2021. [https://www.amazon.com/365-Everyday-Value-](https://www.amazon.com/365-Everyday-Value-Organic-Unsweetened/dp/B00L7F9VIY/ref=sr_1_12_0g_wf?keywords=applesauce&qid=1639413237&s=grocery&sr=1-12)

[Organic-Unsweetened/dp/B00L7F9VIY/ref=sr_1_12_0g_wf?keywords=applesauce&qid=1639413237&s=grocery&sr=1-12](https://www.amazon.com/365-Everyday-Value-Organic-Unsweetened/dp/B00L7F9VIY/ref=sr_1_12_0g_wf?keywords=applesauce&qid=1639413237&s=grocery&sr=1-12) (Year: 2019).*

Consumer Reports. Kid-approved fruit cups just in time for the start of school. Posted by Consumer Reports News on Aug. 16, 2011. Visited Dec. 13, 2021. <https://www.consumerreports.org/cro/news/2011/08/kid-approved-fruit-cups-just-in-time-for-the-start-of-school/index.htm> (Year: 2011).*

Business Insider. The most popular Greek yogurt brands, ranked. Posted by Claire Hayes on May 30, 2017. Visited Dec. 16, 2021. <https://www.businessinsider.com/the-most-popular-greek-yogurt-brands-ranked-2017-5> (Year: 2017).*

Mr. Shon's Spectacular Science. The Engineer Design Process: The Chobani Yogurt Cup. Published Sep. 15, 2014. Visited Jun. 30, 2022. <http://www.shonscience.com/unit-0-scientific-inquiry1/the-engineering-design-process-the-chobani-yogurt-cup> (Year: 2014).*

IStock. Two yogurts isolated on white background. Published Sep. 10, 2018 by George Tsartsiandis. Visited Jun. 30, 2022. <https://www.istockphoto.com/photo/two-yogurts-isolated-on-white-background-3d-illustration-gm1033270770-276714668> (Year: 2018).*

Protopian Pickle Jar. Kitchen Table Cloning. Published Jul. 5, 2015. Visited Jun. 30, 2022. <https://protopianpicklejar.wordpress.com/tag/yogurt-cups/> (Year: 2015).*

* cited by examiner

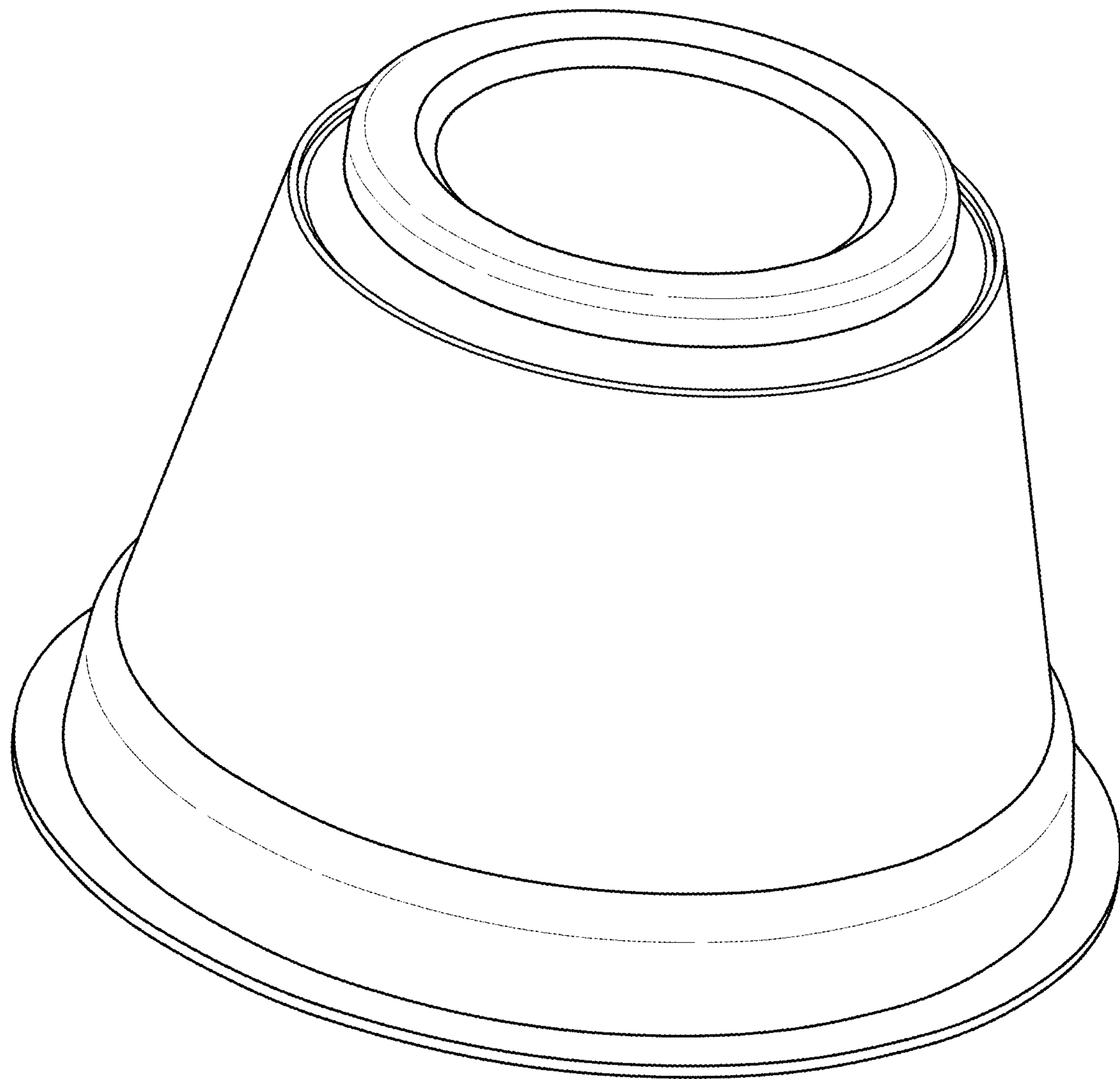


FIG. 1

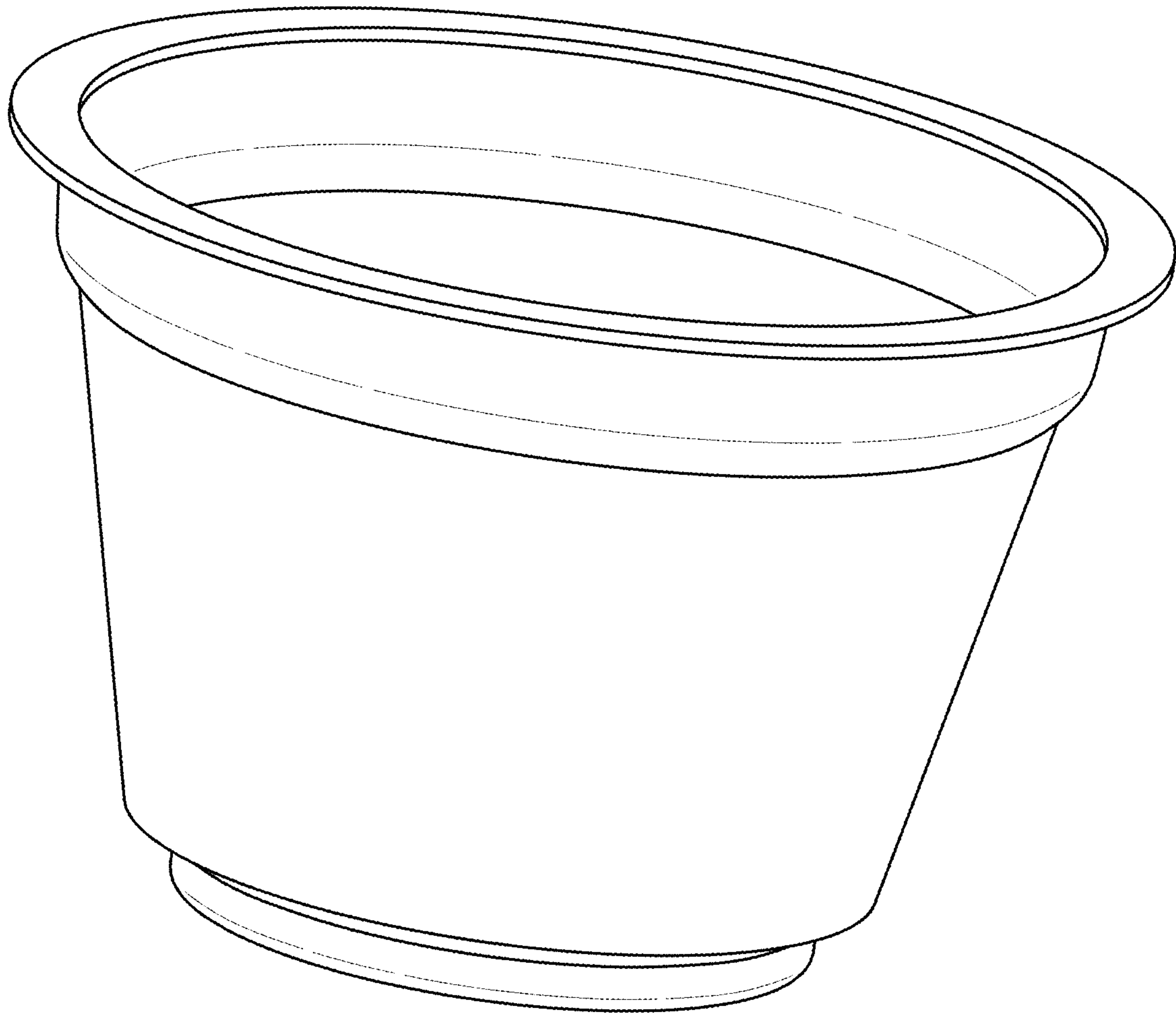


FIG.2

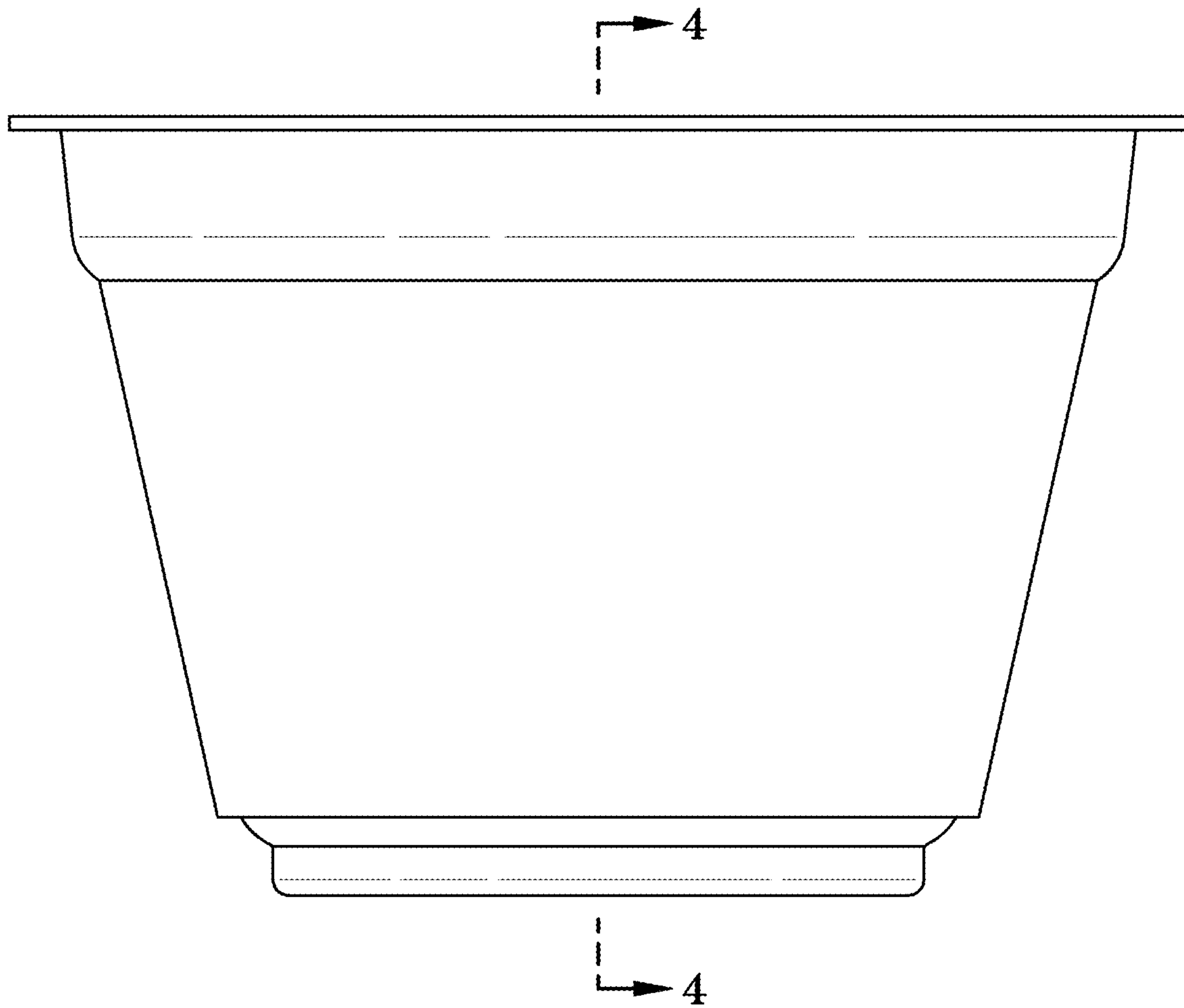


FIG. 3

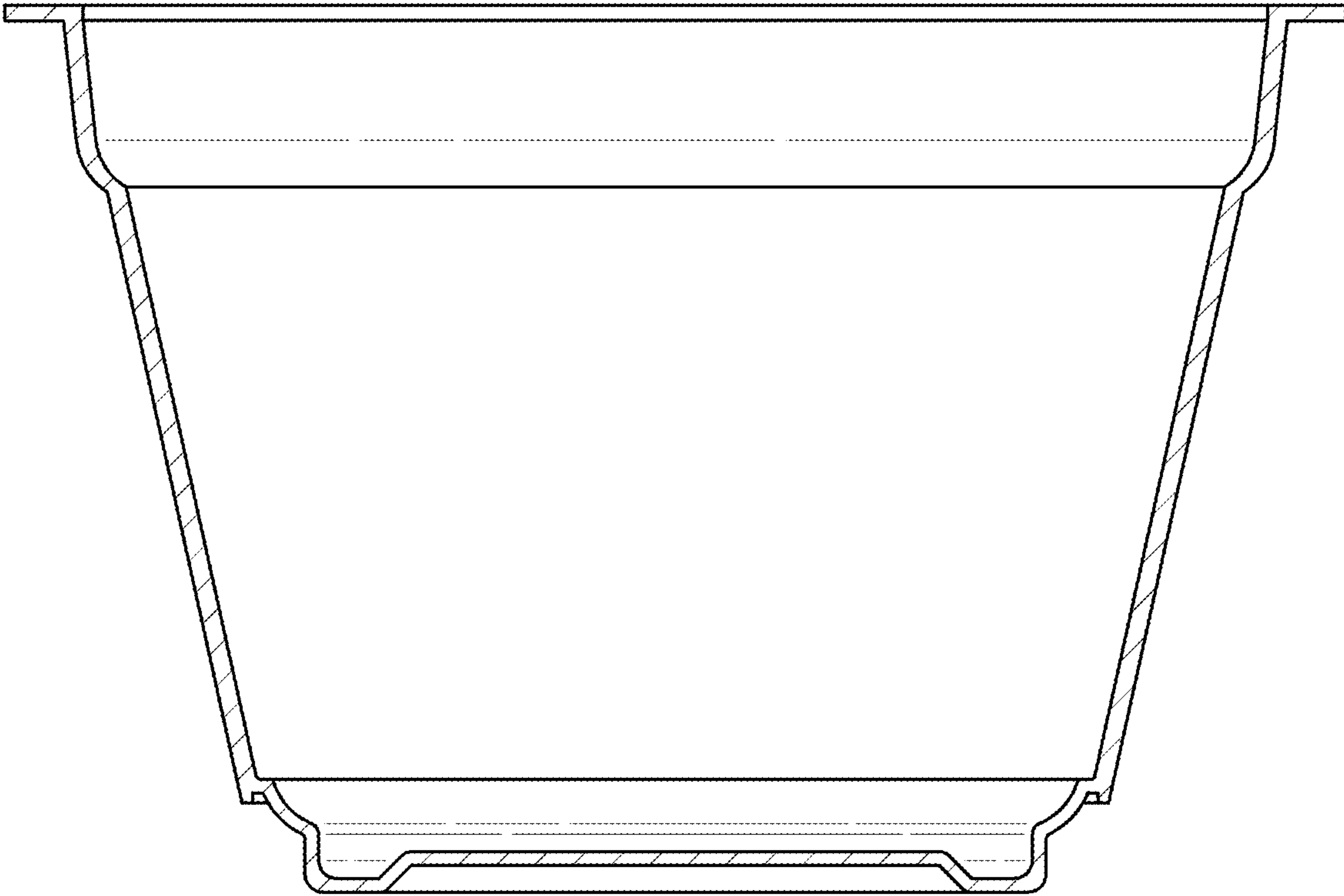


FIG.4