



US00D966886S

(12) **United States Design Patent**
Beeravu

(10) **Patent No.:** **US D966,886 S**
(45) **Date of Patent:** **** Oct. 18, 2022**

(54) **HEAVY DUTY RECTANGULAR CONTAINER**

FOREIGN PATENT DOCUMENTS

- (71) Applicant: **Hotpack Packaging Industries LLC**,
Dubai (AE)
- (72) Inventor: **Anvar Puthiyaveettil Beeravu**, Dubai
(AE)
- (73) Assignee: **Hotpack Packaging Industries LLC**,
Dubai (AE)

CN	302639394	* 11/2013
JP	D1556291	* 8/2016
KR	300935605.0000	* 7/2017

(**) Term: **15 Years**

OTHER PUBLICATIONS

(21) Appl. No.: **29/769,113**

Promoze Plastic Microwavable Food Container, posted at Amazon.com on Apr. 20, 2018, [site visited Jul. 14, 2022]. Available from internet, URL: <<https://www.amazon.com/dp/B07BD2Y2K5/>> (Year: 2018).*

(22) Filed: **Feb. 3, 2021**

(Continued)

(51) **LOC (13) Cl.** **09-03**

Primary Examiner — Andrew Kerr

(52) **U.S. Cl.**

Assistant Examiner — Chariton Alexakis

USPC **D9/425**

(74) *Attorney, Agent, or Firm* — Avek IP, LLC

(58) **Field of Classification Search**

(57) **CLAIM**

USPC D9/414, 424, 425, 426, 428, 432, 456,
D9/503, 504, 703, 716, 719, 737, 738,
D9/739, 740, 744, 745, 756, 759, 760,
D9/761; D7/538, 540, 541, 542, 550.1,
D7/553.1, 553.2, 553.3, 554.1, 554.3,
D7/555, 556, 557, 560, 561, 562, 602,
D7/629, 701, 703, 708; D3/203.3, 273,
D3/283, 294, 295, 310, 313; D24/226,
D24/227, 229

The ornamental design for a heavy duty rectangular container, as shown and described.

CPC ... B65D 1/24; B65D 1/30; B65D 1/34; B65D
1/36; B65D 1/46; B65D 5/46; B65D
5/48; B65D 5/4803; B65D 21/00; B65D
21/02; B65D 21/0233; B65D 25/04;
B65D 2543/00027; B65D 2543/00296;
B65D

DESCRIPTION

FIG. 1 is a perspective view of a heavy duty rectangular container showing the new design.
FIG. 2 is another perspective view of the heavy duty rectangular container of FIG. 1.
FIG. 3 is a front view of the heavy duty rectangular container of FIG. 1.
FIG. 4 is a rear view of the heavy duty rectangular container of FIG. 1.
FIG. 5 is a side view of the heavy duty rectangular container of FIG. 1.
FIG. 6 is an opposite side view the heavy duty rectangular container of FIG. 1.
FIG. 7 is a top view the heavy duty rectangular container of FIG. 1; and,
FIG. 8 is a bottom view the heavy duty rectangular container of FIG. 1.

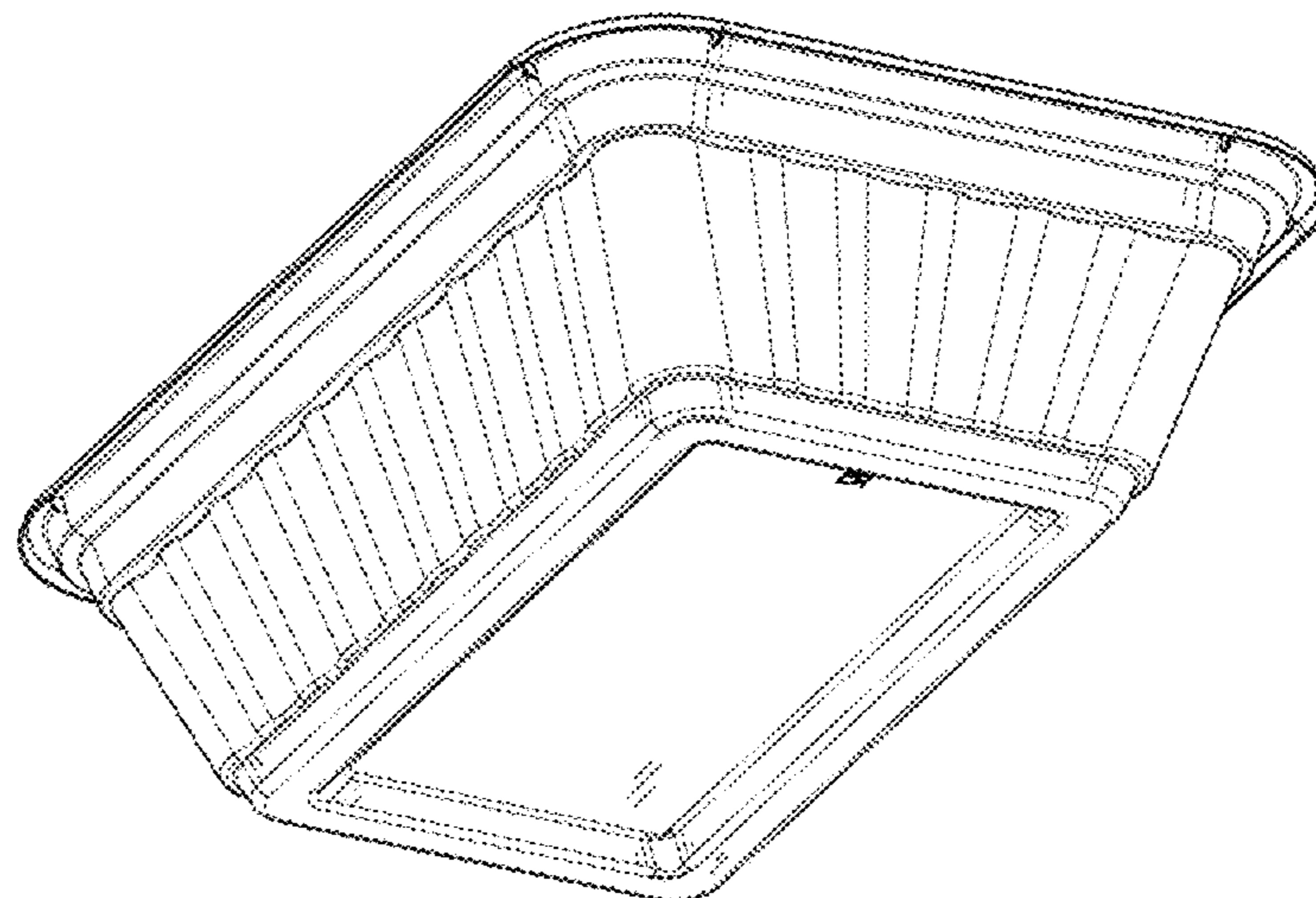
(Continued)

(56) **References Cited**

U.S. PATENT DOCUMENTS

- 3,578,204 A * 5/1971 Bloch B65D 1/42
47/65.5
- D277,993 S * 3/1985 Sinchok D9/425

1 Claim, 8 Drawing Sheets



(58) **Field of Classification Search**
 CPC 77/046; B65D 81/3294; B65D 81/3813;
 B65D 81/3816; B65D 81/3827; B65D
 85/321; B65D 85/322; B65D 85/324;
 B65D 85/325; B65D 85/327; B65D 1/42;
 B65D 2543/00194; B65D 43/0208; B65D
 43/022; Y10S 229/904
 See application file for complete search history.

(56) **References Cited**

U.S. PATENT DOCUMENTS

D374,819	S	*	10/1996	Wells	D9/425
D392,881	S	*	3/1998	Bulcher	D9/425
D409,485	S	*	5/1999	Christy, Jr.	D9/425
6,170,696	B1	*	1/2001	Tucker	B65D 43/0208 206/508
D446,719	S	*	8/2001	Garraway	D9/425
D467,128	S	*	12/2002	Thonis	D7/602
D469,313	S	*	1/2003	Thonis	D7/602
D470,048	S	*	2/2003	Buchalski	D9/425
D502,045	S	*	2/2005	Isler	D7/354
D513,383	S	*	1/2006	Glander	D9/453
D660,091	S	*	5/2012	Chen	D7/629
D675,919	S	*	2/2013	Krueger	D9/432

D679,585	S	*	4/2013	Krueger	D9/425
D679,587	S	*	4/2013	Krueger	D9/432
D681,451	S	*	5/2013	Kui	D9/432
D687,704	S	*	8/2013	Knight	D9/425
D746,675	S	*	1/2016	Astorga	D9/425
D778,154	S	*	2/2017	Strachan	D9/432
D804,239	S	*	12/2017	Sarnoff	D7/354
D807,120	S	*	1/2018	Epstein	D7/554.3
D852,037	S	*	6/2019	Lin	B65D 43/0208 D9/425
D886,589	S	*	6/2020	Takemura	B65D 1/42 D9/425
D906,753	S	*	1/2021	Sarnoff	B65D 43/022 D7/359
2014/0263384	A1	*	9/2014	Irsch	B65D 43/022 220/780

OTHER PUBLICATIONS

Otor Meal Container, posted at Amazon.com on Aug. 21, 2019, [site visited Jul. 14, 2022]. Available from internet, URL: <<https://www.amazon.com/OTOR-Containers-Compartment-Container-Dishwasher/dp/B07WSV4STF/>> (Year: 2019).*

* cited by examiner

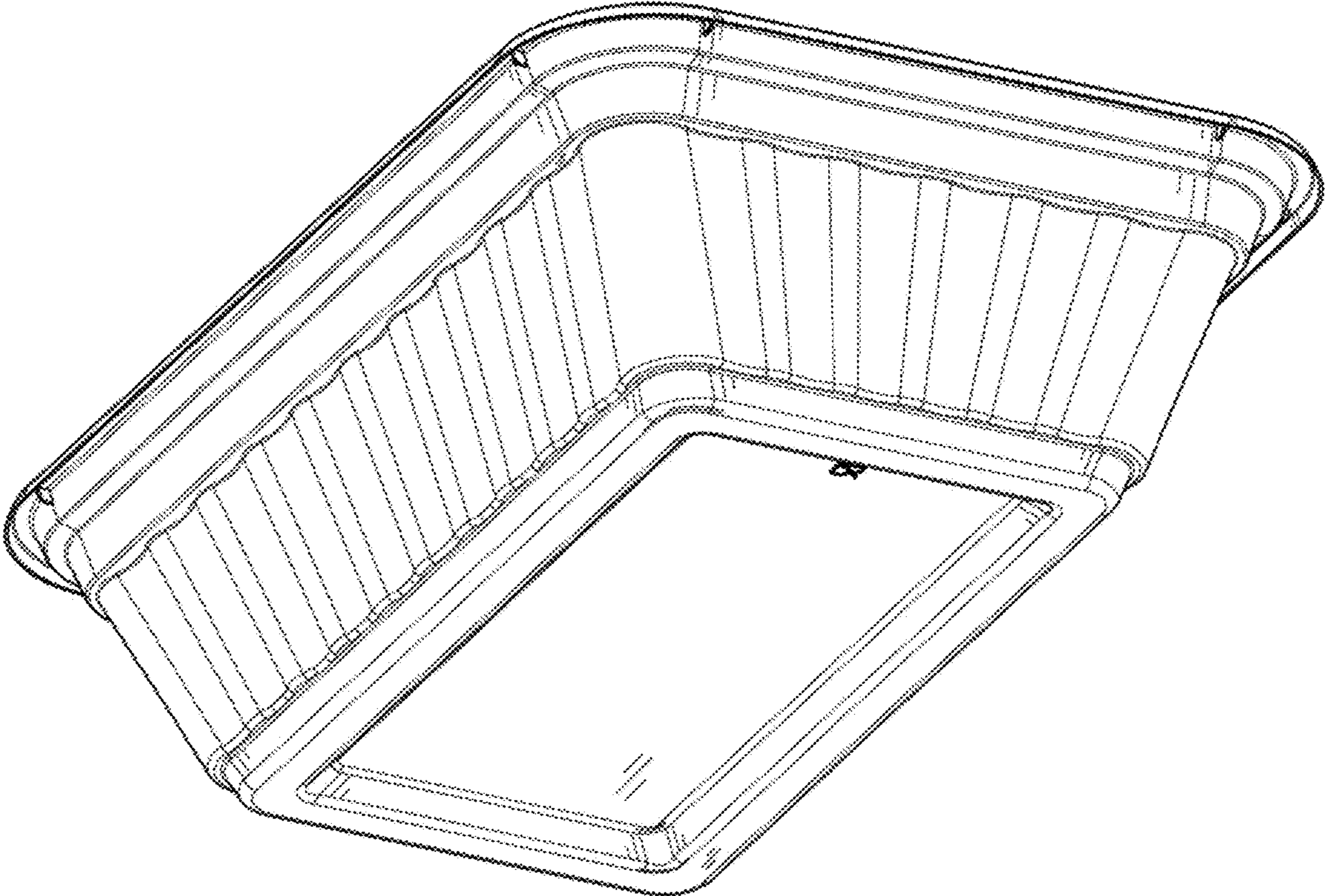


FIG. 1

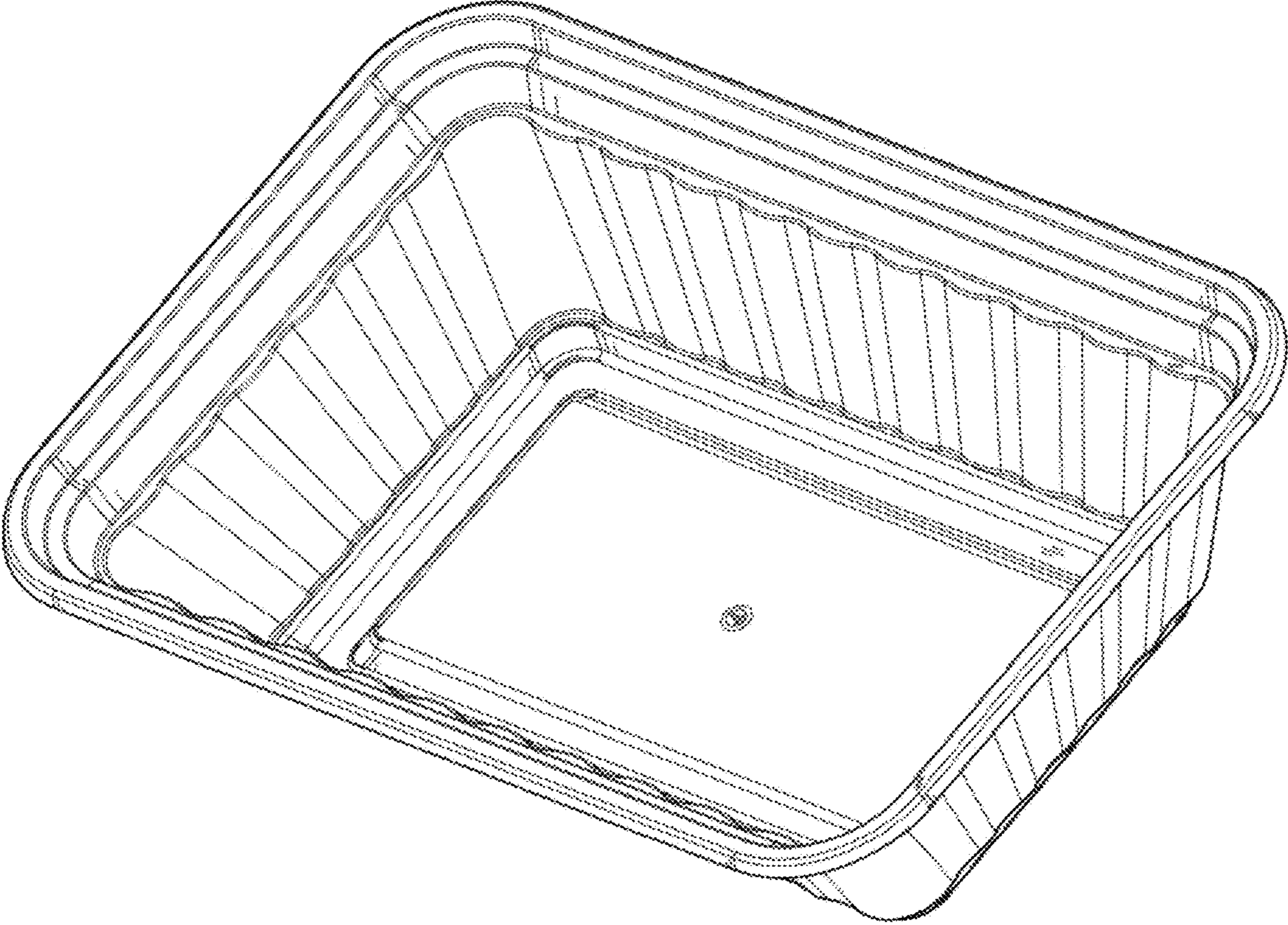


FIG. 2

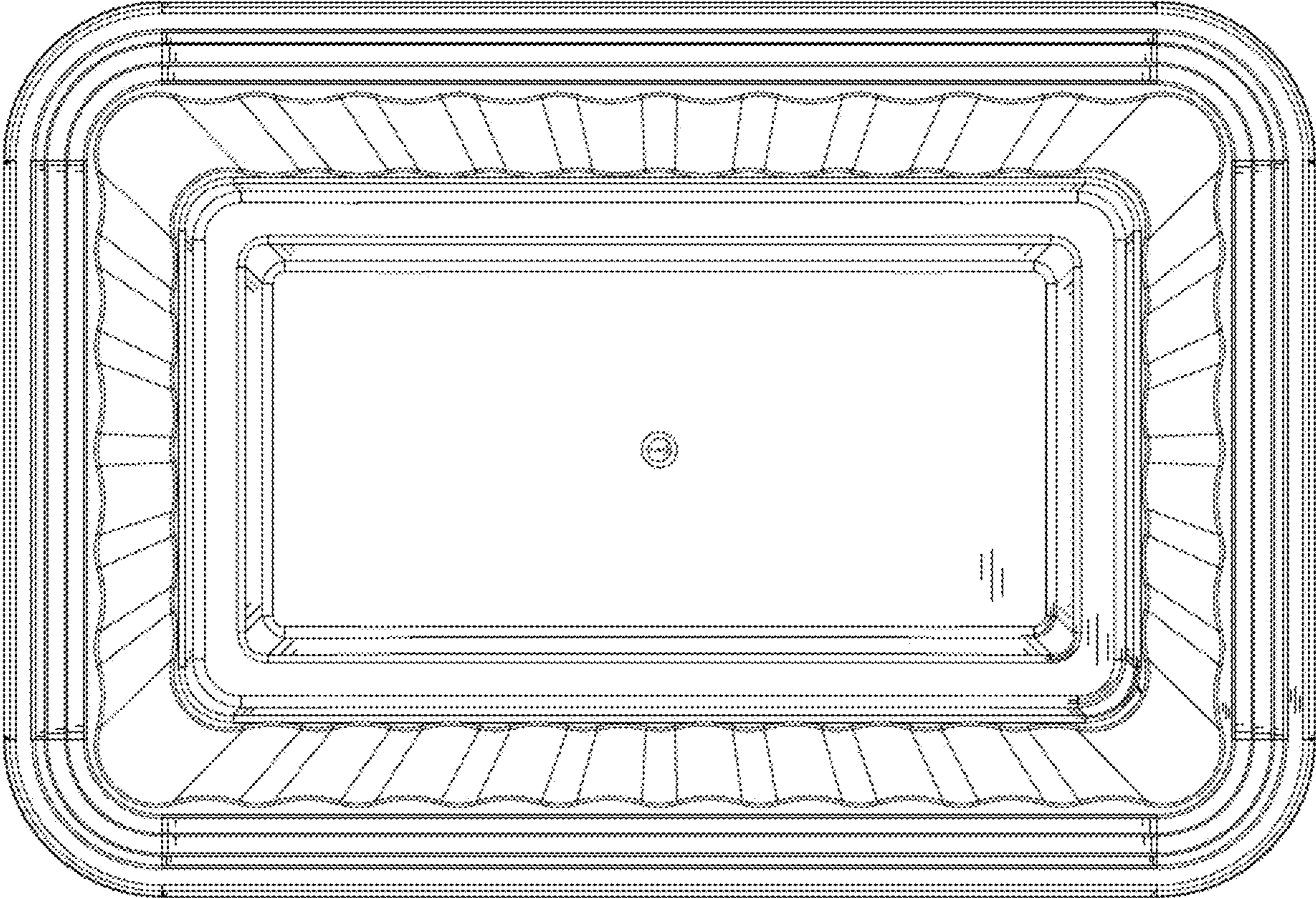


FIG. 3

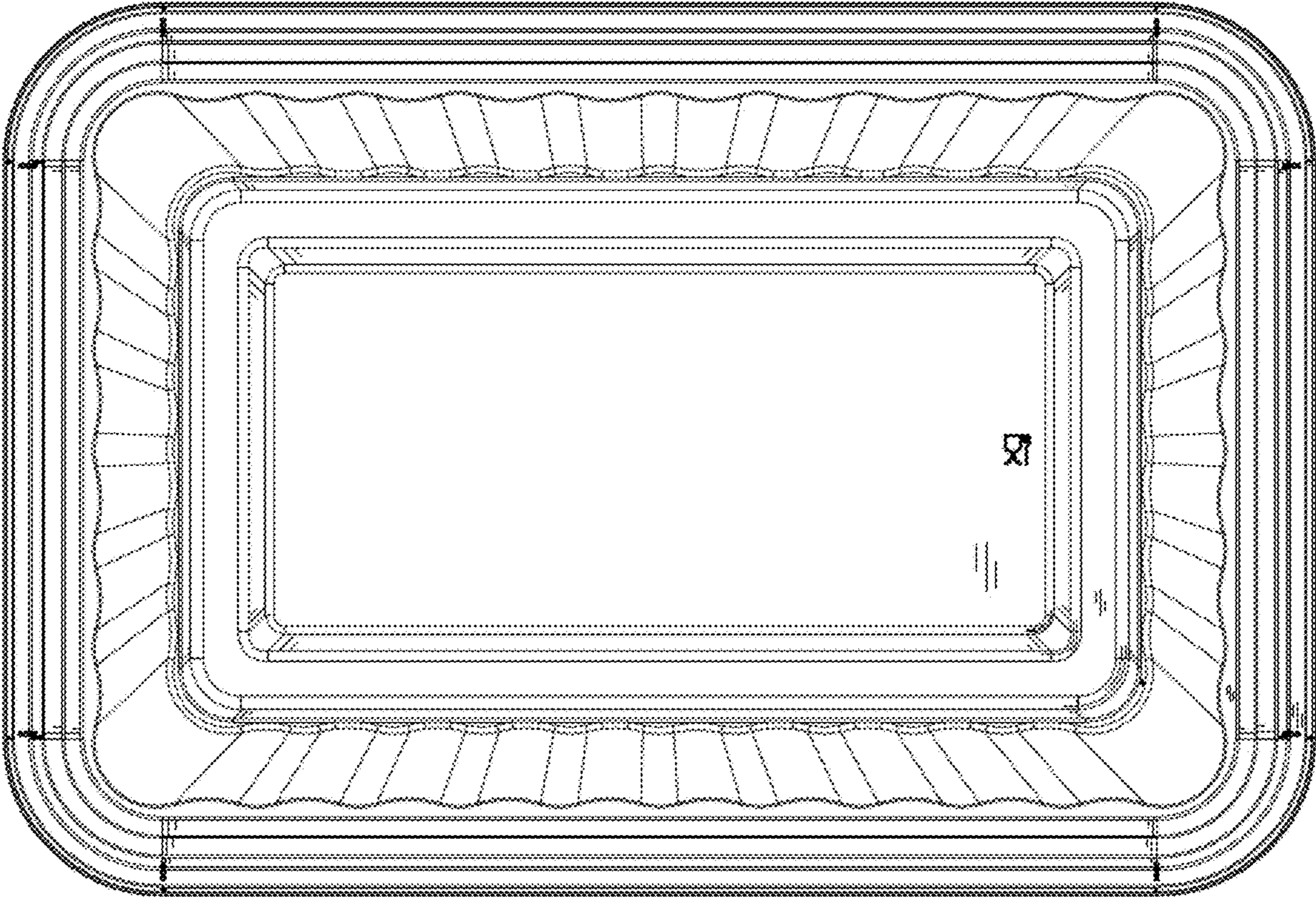


FIG. 4

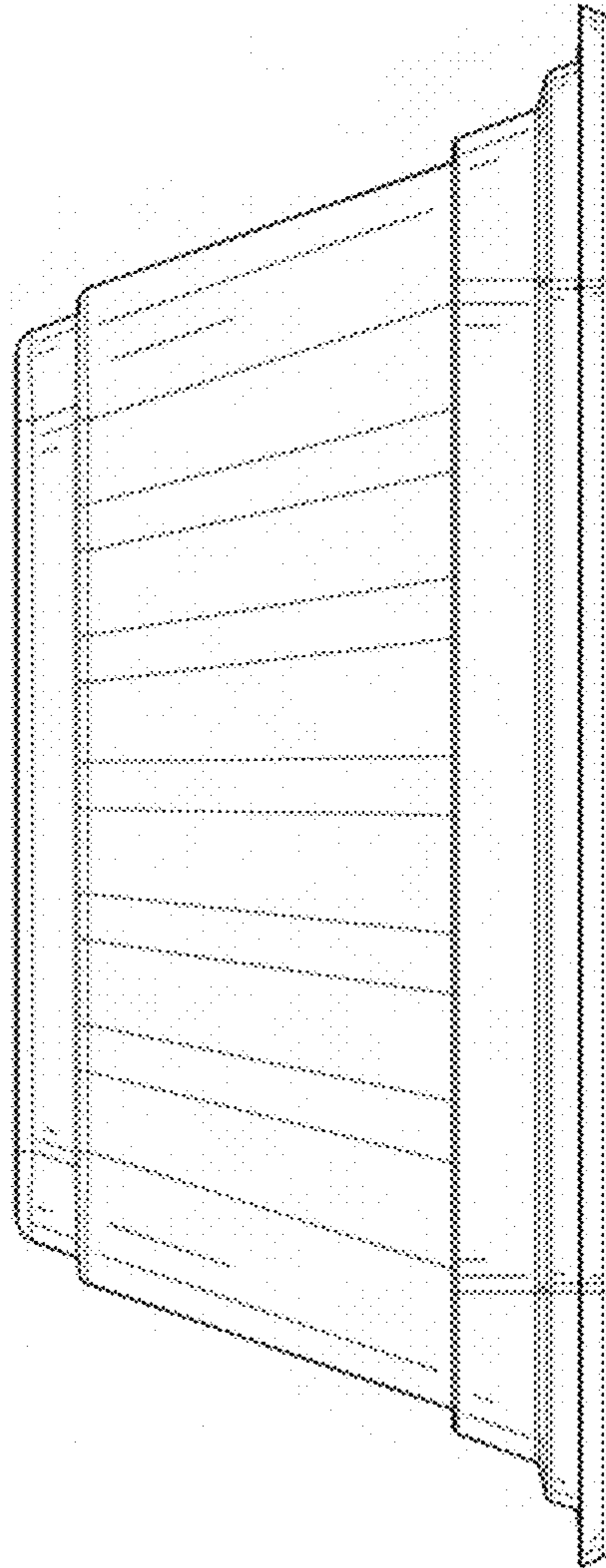


FIG. 5

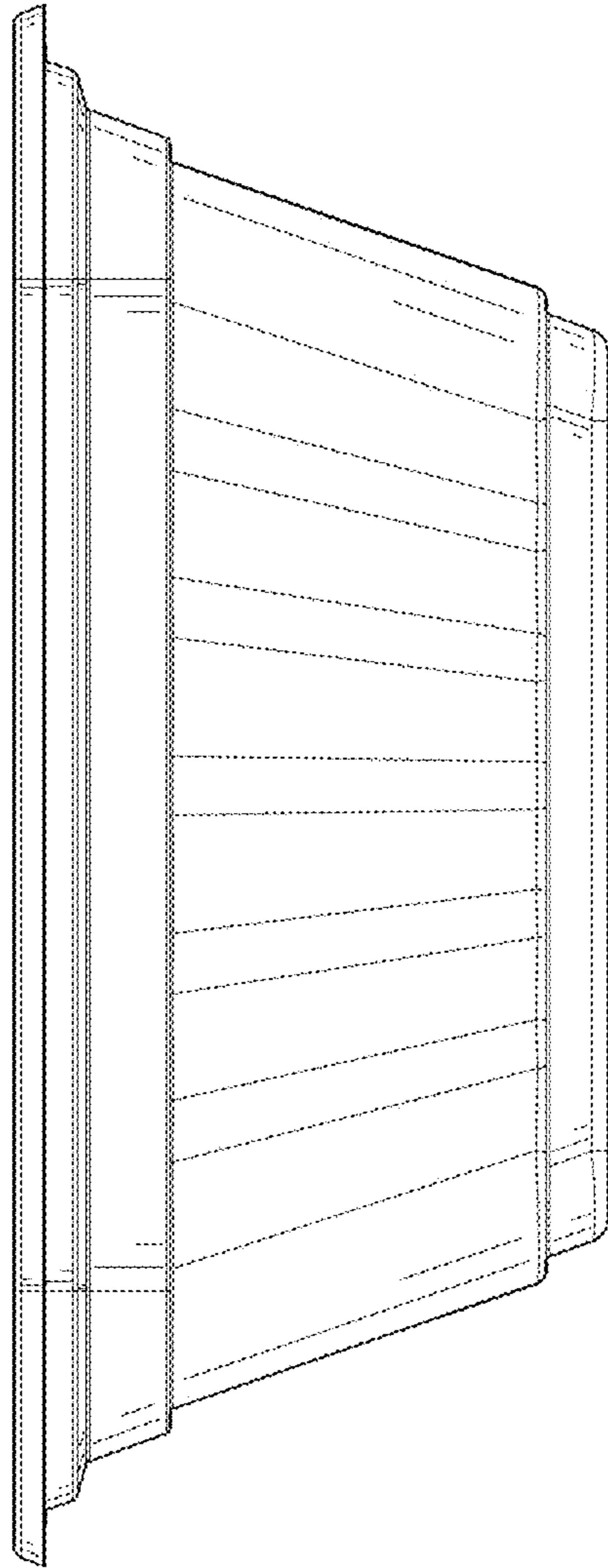


FIG. 6

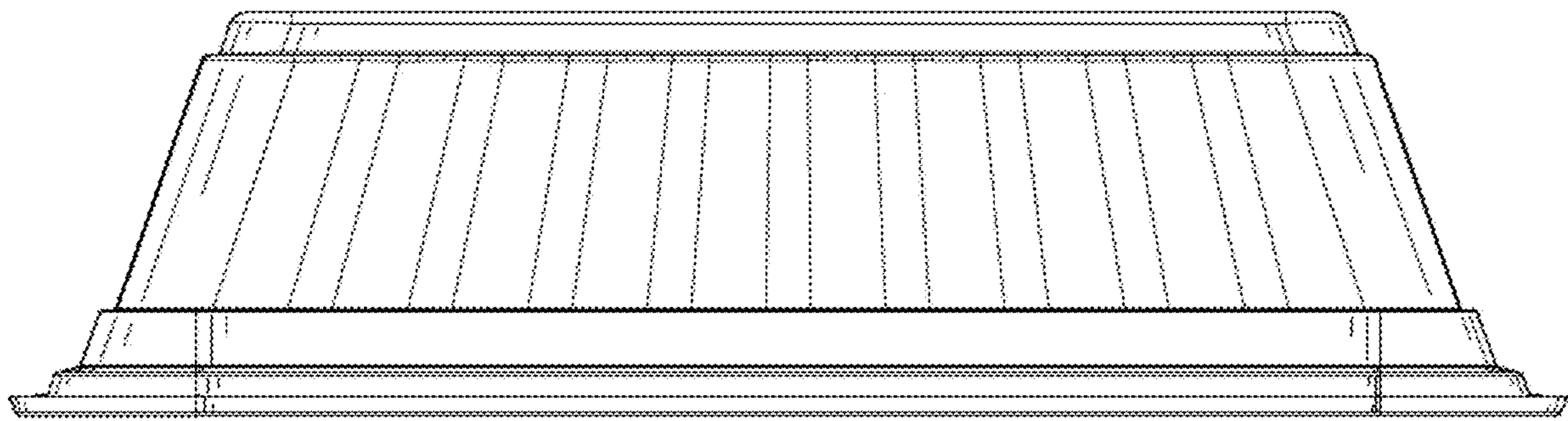


FIG. 7

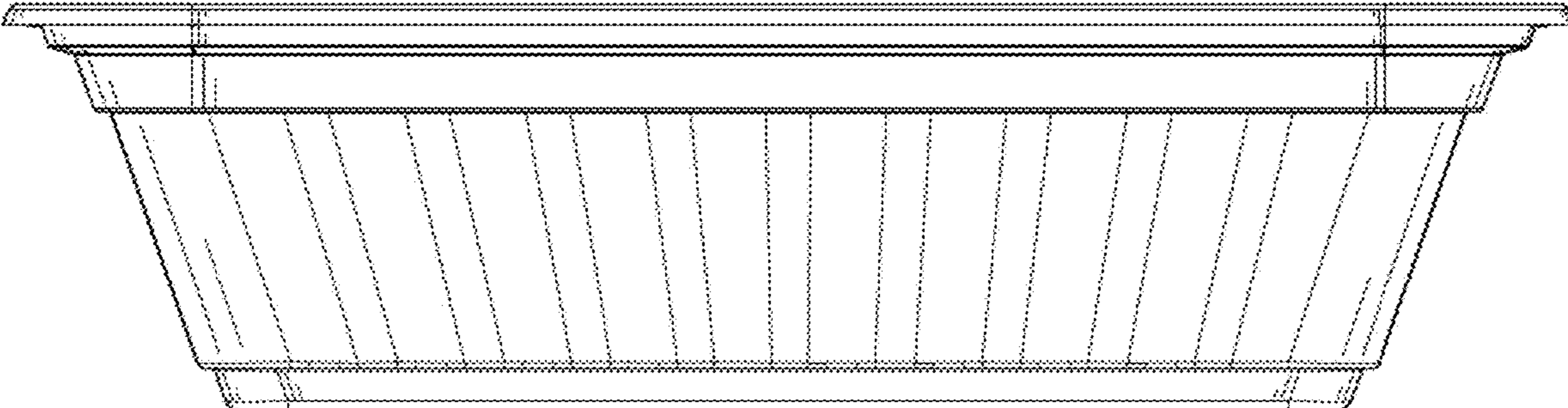


FIG. 8