



US00D966885S

(12) **United States Design Patent** (10) **Patent No.:** **US D966,885 S**  
**Greene et al.** (45) **Date of Patent:** **\*\* Oct. 18, 2022**

(54) **SHAVING RAZOR CARTRIDGE PACKAGE**

(71) Applicant: **The Gillette Company LLC**, Boston, MA (US)

(72) Inventors: **Jeffrey Allen Greene**, Milton, MA (US); **Daniel Marcelo Salvatore**, Geneva (CH); **Matthew James Helle**, Cambridge, MA (US)

(73) Assignee: **The Gillette Company LLC**, Boston, MA (US)

(\*\*) Term: **15 Years**

(21) Appl. No.: **29/737,757**

(22) Filed: **Jun. 11, 2020**

(51) **LOC (13) Cl.** ..... **09-03**

(52) **U.S. Cl.**  
USPC ..... **D9/425**; D9/748; D9/424

(58) **Field of Classification Search**  
USPC ..... D9/414, 415, 418, 420, 421, 423, 424, D9/425, 426, 428, 430, 431, 432, 499, D9/416, 419, 455, 456, 715, 721, 722, D9/732, 735, 736, 737, 748, 749, 756; D28/4, 9; D6/526

CPC ..... A45D 27/22; B65D 75/36; B65D 75/56  
See application file for complete search history.

(56) **References Cited**

**U.S. PATENT DOCUMENTS**

- 2,984,380 A \* 5/1961 Kuhl ..... A45D 27/22 220/827
- 4,216,862 A \* 8/1980 Daenen ..... A45C 11/20 220/837
- D272,029 S \* 1/1984 Grusin ..... D7/629
- D276,794 S \* 12/1984 Urion ..... D9/420
- D344,233 S \* 2/1994 Peters ..... D9/632
- 5,602,612 A \* 2/1997 Angeli ..... B65D 75/324 206/316.1
- D398,842 S \* 9/1998 Rohrig ..... D9/415

- D416,483 S \* 11/1999 Manley ..... D9/418
- D436,857 S \* 1/2001 Griffin ..... D9/415
- D440,874 S \* 4/2001 Shurtleff ..... D9/425
- D441,286 S \* 5/2001 Clarke ..... D9/415
- 6,474,471 B1 \* 11/2002 Miyake ..... B65D 75/32 206/316.2
- D468,531 S \* 1/2003 Hsu ..... D3/905
- D496,585 S \* 9/2004 McBride ..... D9/423
- D505,866 S \* 6/2005 Raile ..... D9/756
- D511,105 S \* 11/2005 Dominesey ..... D9/749

(Continued)

**OTHER PUBLICATIONS**

Youtube. Harry's vs. Gillette | Which Is The Best Razor? Published May 9, 2019 by Robin James. Visited Mar. 29, 2022. <https://www.youtube.com/watch?v=AELIBBY6hG0> (Year: 2019).\*

(Continued)

*Primary Examiner* — Darcey E Gottschalk

*Assistant Examiner* — Vanessa M. Pursley

(74) *Attorney, Agent, or Firm* — John M. Lipchitz

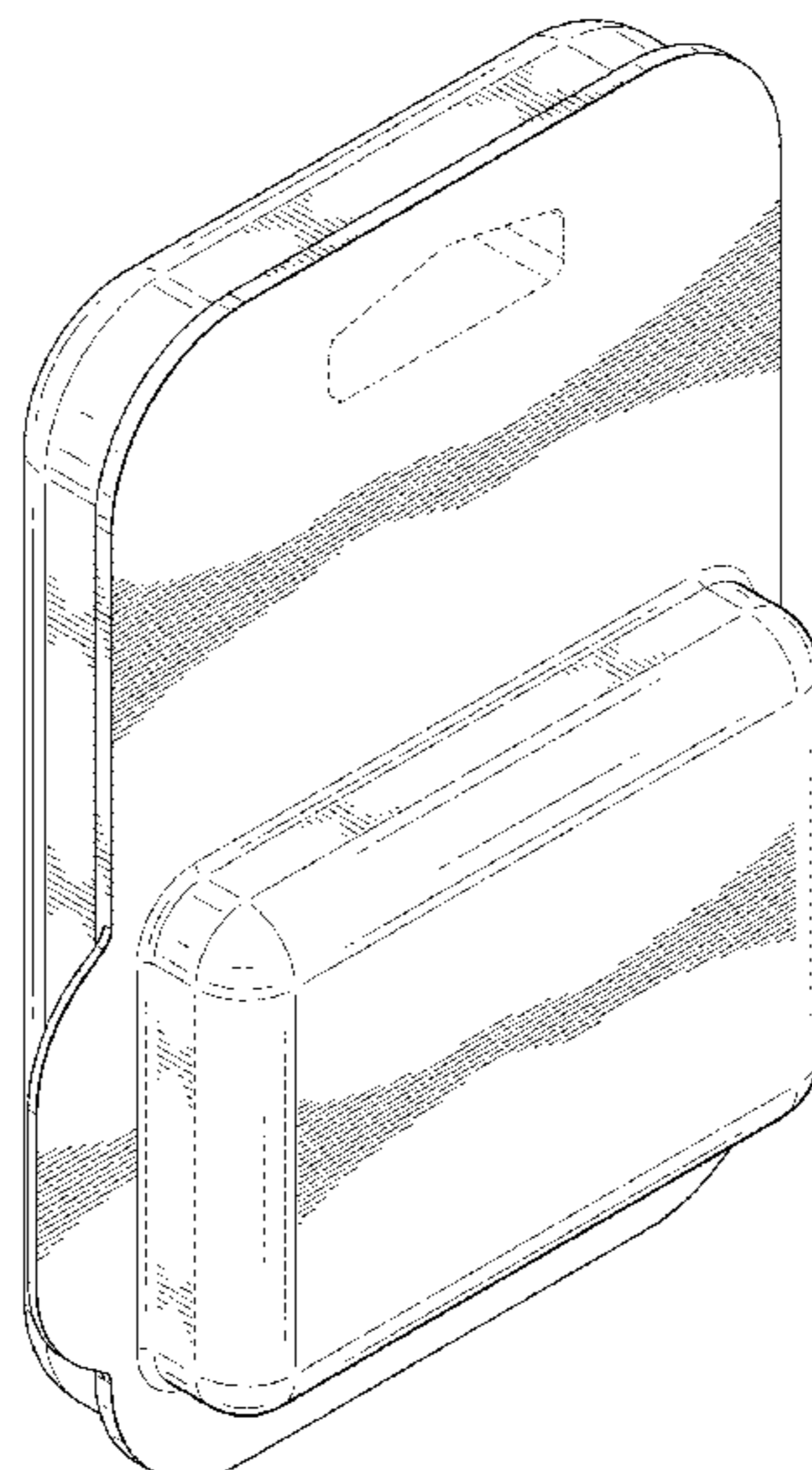
(57) **CLAIM**

The ornamental design for a shaving razor cartridge package, as shown and described.

**DESCRIPTION**

FIG. 1 is a top perspective view of a shaving razor cartridge package showing our new design; FIG. 2 is a front view thereof; FIG. 3 is a rear view thereof; FIG. 4 is a right view thereof; FIG. 5 is a left view thereof; FIG. 6 is a top view thereof; FIG. 7 is a bottom view thereof; and, FIG. 8 is a bottom perspective view thereof. The broken lines illustrate structure or features of the shaving razor cartridge package that form no part of the claimed design.

**1 Claim, 6 Drawing Sheets**



(56)

References Cited

U.S. PATENT DOCUMENTS

D592,399 S \* 5/2009 Sage ..... D3/295  
 D595,126 S \* 6/2009 Marcinkowski ..... D9/418  
 D603,254 S \* 11/2009 Hogenbirk ..... D9/425  
 D624,316 S \* 9/2010 Ferber ..... D3/294  
 7,931,148 B2 \* 4/2011 Hansen ..... B65D 75/22  
 220/4.23  
 D661,180 S \* 6/2012 Marcinkowski ..... D9/415  
 D662,811 S \* 7/2012 Marcinkowski ..... D9/415  
 D676,323 S \* 2/2013 Sugden ..... D9/456  
 D678,053 S \* 3/2013 Marcinkowski ..... D9/434  
 D684,045 S \* 6/2013 Frees ..... D9/424  
 D686,071 S \* 7/2013 Marcinkowski ..... D9/434  
 D686,493 S \* 7/2013 Marcinkowski ..... D9/434  
 D686,494 S \* 7/2013 Marcinkowski ..... D9/434  
 D697,398 S \* 1/2014 Guevara-Ludt ..... D9/425  
 D707,119 S \* 6/2014 Nguyen ..... D9/424  
 D707,135 S \* 6/2014 Sennett ..... D9/748  
 D707,848 S \* 6/2014 Shigeno ..... D24/229  
 D709,384 S \* 7/2014 Vural ..... D9/721  
 D715,548 S \* 10/2014 Chang ..... D3/294  
 D719,037 S \* 12/2014 Tsai ..... D19/86  
 D745,416 S \* 12/2015 Markle ..... D9/722  
 D747,607 S \* 1/2016 Serell ..... D3/203.1  
 D754,547 S \* 4/2016 Psimadas ..... D9/748  
 D784,160 S \* 4/2017 Markle ..... D9/722  
 D784,161 S \* 4/2017 Markle ..... D9/722  
 D795,081 S \* 8/2017 Way ..... D9/737  
 D808,823 S \* 1/2018 Greene ..... D9/748  
 D826,733 S \* 8/2018 Medhurst ..... D9/735

10,221,000 B2 \* 3/2019 Larsen ..... B65D 75/366  
 D891,755 S \* 8/2020 Prioleau ..... D3/203.1  
 D898,588 S \* 10/2020 An ..... D9/748  
 D898,589 S \* 10/2020 An ..... D9/748  
 D909,584 S \* 2/2021 Kalchman ..... D24/167  
 2001/0003114 A1 \* 6/2001 Hansen ..... B65B 11/50  
 53/427  
 2003/0183643 A1 \* 10/2003 Fagen ..... B65D 75/366  
 221/26  
 2006/0042986 A1 \* 3/2006 Simkowski ..... B65D 75/366  
 206/467  
 2010/0230312 A1 \* 9/2010 Sorrentino ..... B65D 75/24  
 206/461  
 2017/0367457 A1 \* 12/2017 Greene ..... B65D 75/327

OTHER PUBLICATIONS

Youtube. Gillette Labs Exfoliating Razor Review. Published Feb. 13, 2022 by FitnessNBeer. Visited Mar. 29, 2022. <https://www.youtube.com/watch?v=br4l2RATV-1> (Year: 2022).\*

Packaging World. Gillette razor packs made of renewable-fiber molded tray. Published Aug. 23, 2011 by Anne Marie Mohan. Visited Mar. 29, 2022. <https://www.packworld.com/design/protective-transport-packaging/article/13356656/gillette-razor-packs-made-of-renewablefiber-molded-tray> (Year: 2011).\*

Packaging World. Gillette's new Venus packed with features. Published Feb. 28, 2001 by Arnie Orloski. Visited Mar. 29, 2022. <https://www.packworld.com/machinery/primary-packaging/article/13334147/gillettes-new-venus-packed-with-features> (Year: 2001).\*

\* cited by examiner



FIG. 1

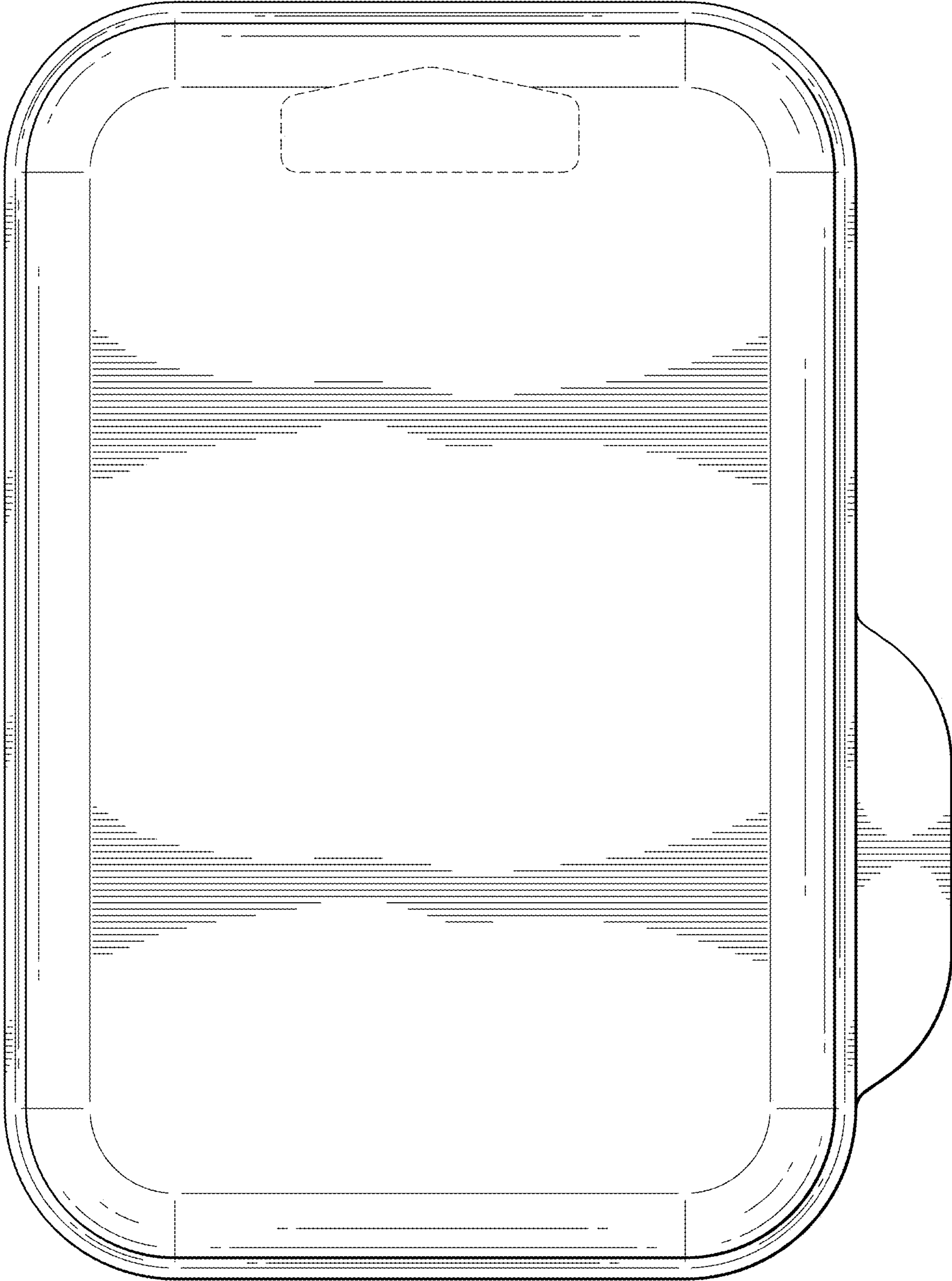


FIG. 2

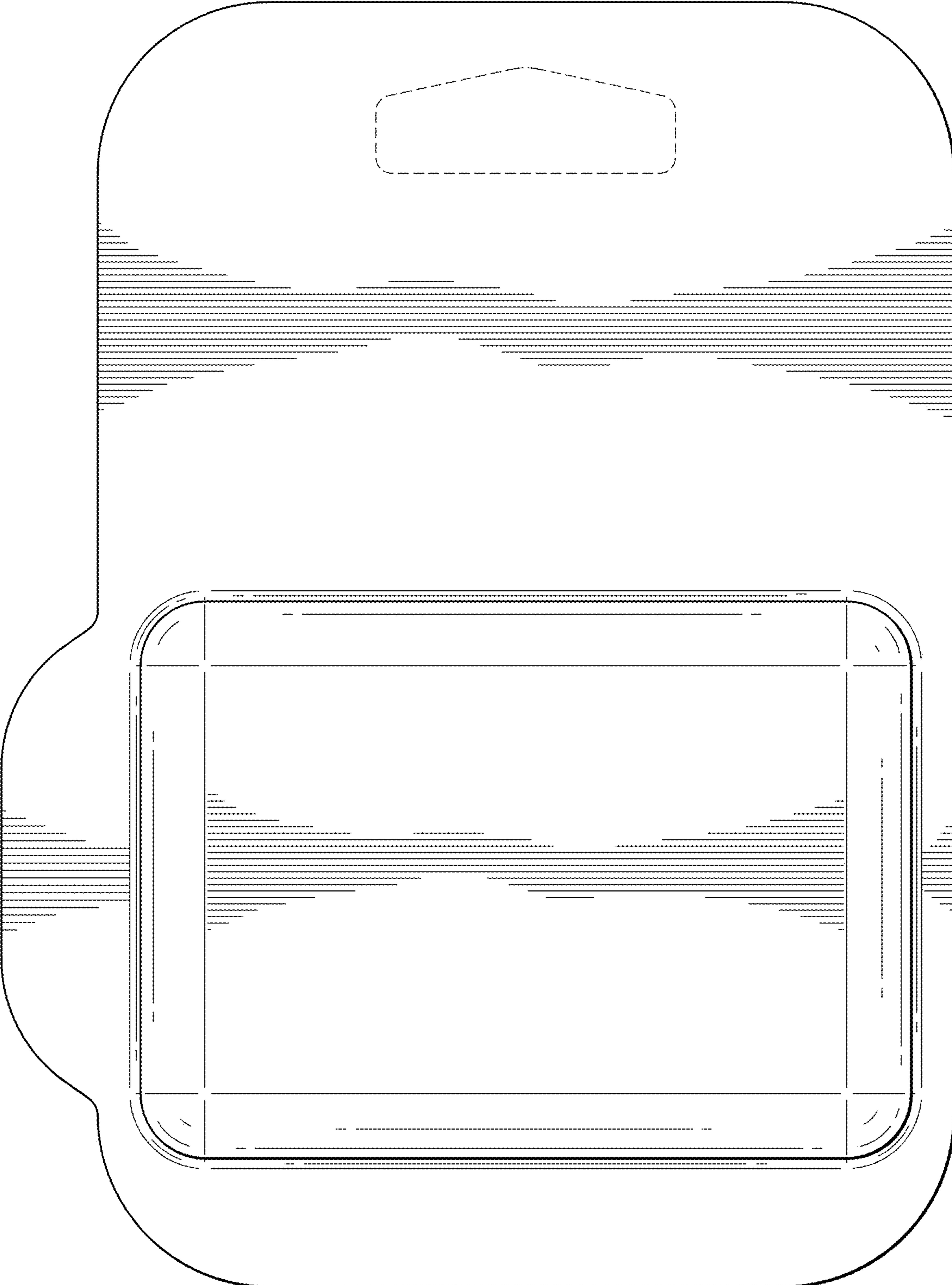


FIG. 3

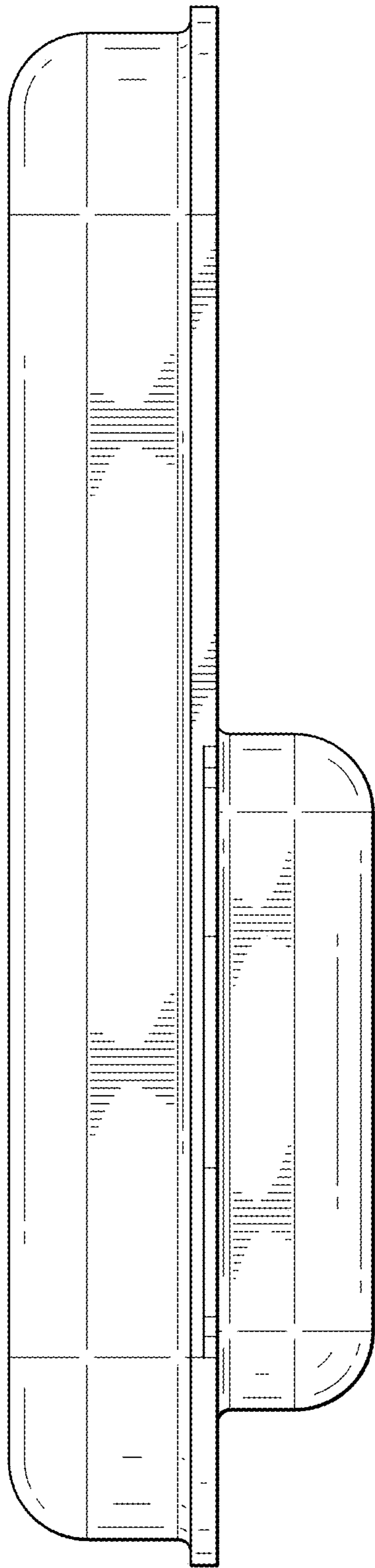


FIG. 4

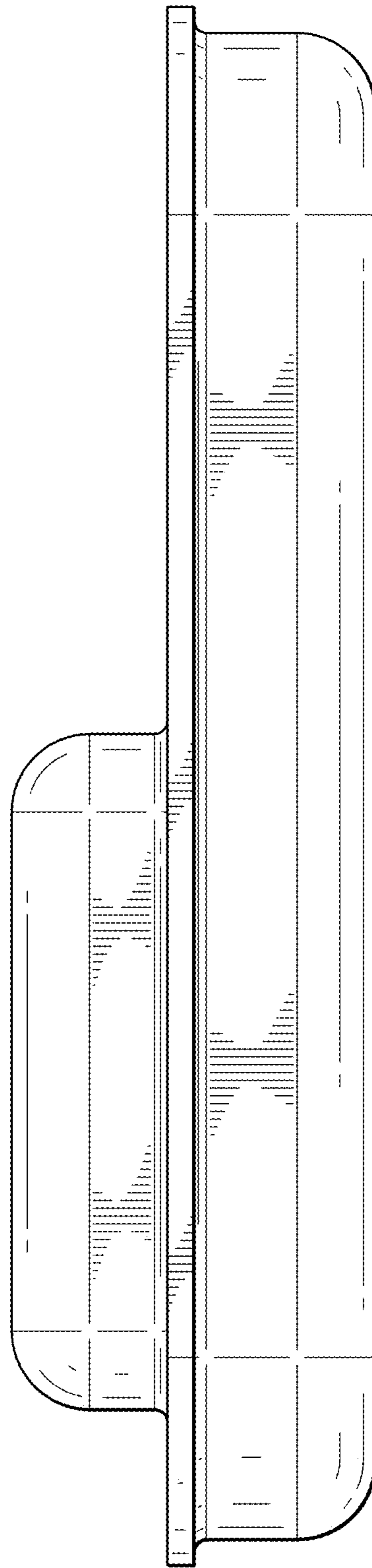


FIG. 5

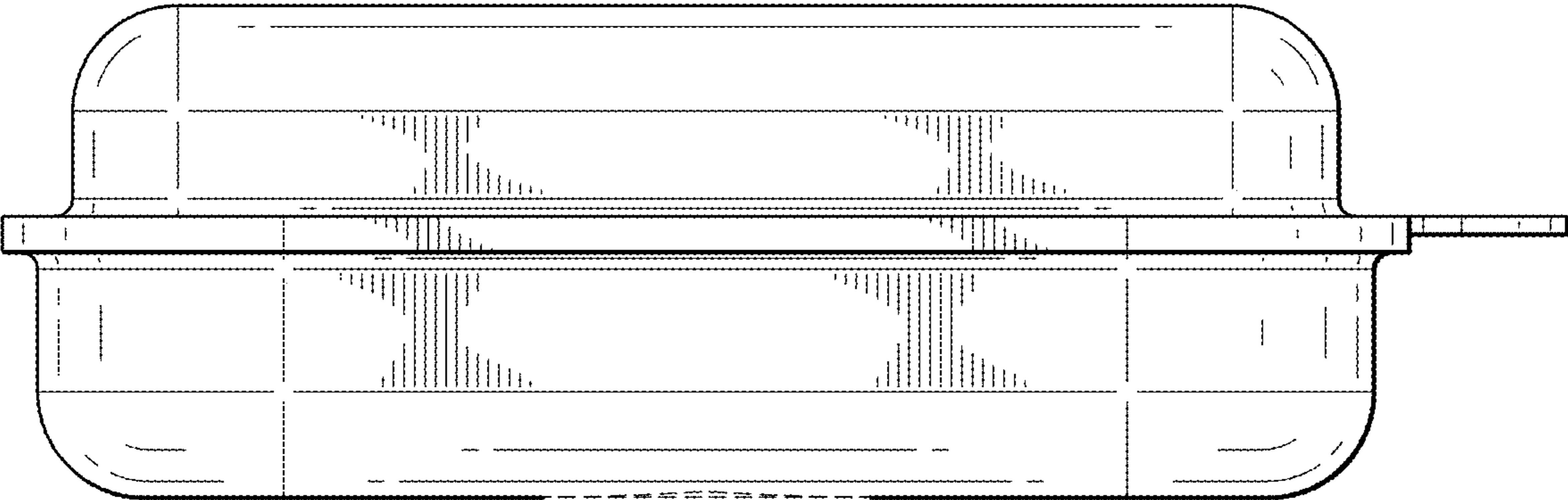


FIG. 6

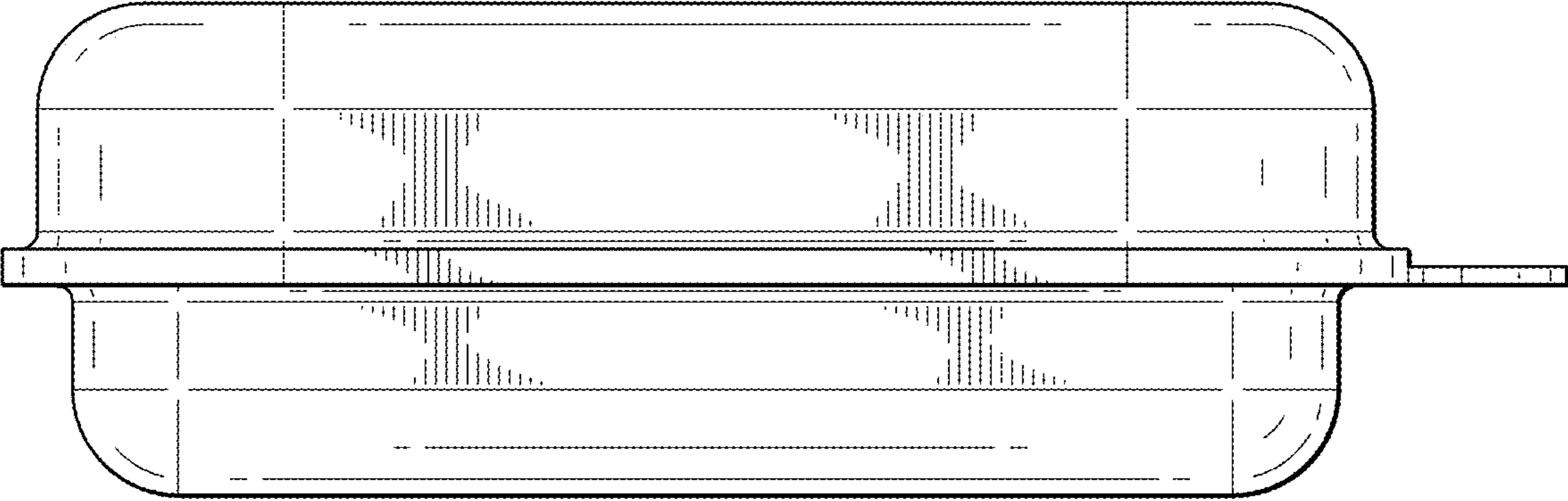


FIG. 7

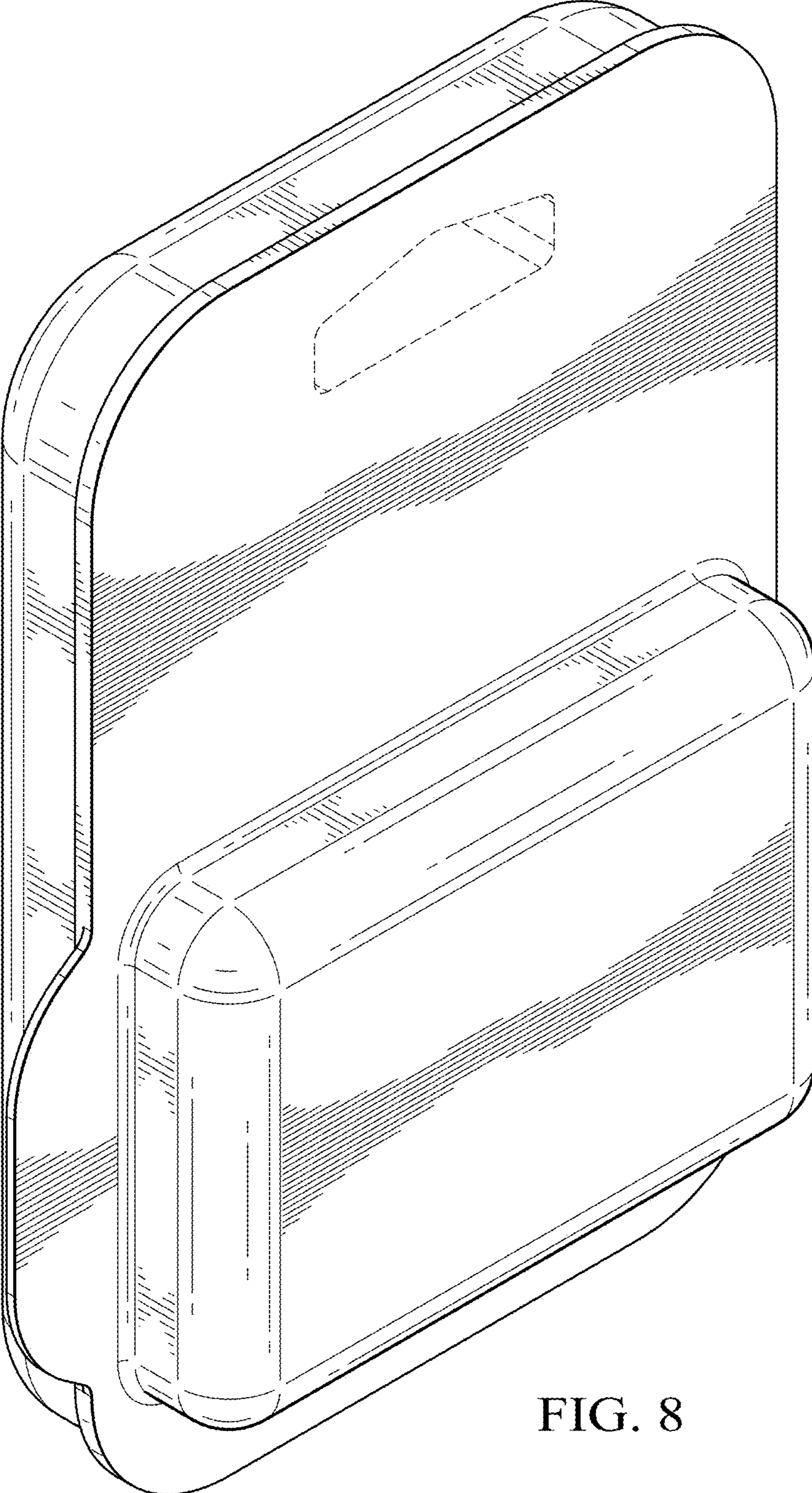


FIG. 8