

US00D966883S

(12) **United States Design Patent** (10) **Patent No.:** **US D966,883 S**
Ginn (45) **Date of Patent:** **** Oct. 18, 2022**

(54) **PRODUCT PACKAGING FOR ARTIFICIAL NAILS**

(71) Applicant: **Alexis Irene Companies LLC**, Dyer, IN (US)

(72) Inventor: **Alexis Irene Ginn**, Los Angeles, CA (US)

(73) Assignee: **Alexis Irene Companies LLC**, Dyer, IN (US)

(**) Term: **15 Years**

(21) Appl. No.: **29/752,595**

(22) Filed: **Sep. 28, 2020**

(51) **LOC (13) Cl.** **09-03**

(52) **U.S. Cl.**
USPC **D9/418**

(58) **Field of Classification Search**
USPC D9/414-418, 600, 431, 432, 624, 721, D9/517, 701, 425; D28/61, 56, 8.1; D3/215; D4/119, 124
CPC B01L 3/5055; A47F 3/145; B65D 1/36; B65D 11/04; B65D 5/5038; B65D 77/0453; B65D 75/32; B65D 5/5028
See application file for complete search history.

(56) **References Cited**

U.S. PATENT DOCUMENTS

D150,913 S *	9/1948	Wagner	D4/119
D197,173 S *	12/1963	Zimmerman	D4/124
3,845,896 A *	11/1974	Crabtree	B65D 1/36 206/45.3
D273,810 S *	5/1984	Zinbarg	D28/61
D277,553 S *	2/1985	Ito	D9/416
D339,657 S *	9/1993	Walker-Shell	D28/61
5,249,674 A *	10/1993	Lepie	B01L 3/5055 D9/701
D345,442 S *	3/1994	Gillan	D28/56

(Continued)

OTHER PUBLICATIONS

“Custom fake . . . ” reference dated Aug. 27, 2022 found by RMS at: https://www.alibaba.com/product-detail/Custom-Fake-Nail-Box-Packaging-Press_1600083973053.html.*

Primary Examiner — Rhea Shields

(74) *Attorney, Agent, or Firm* — K&L Gates LLP

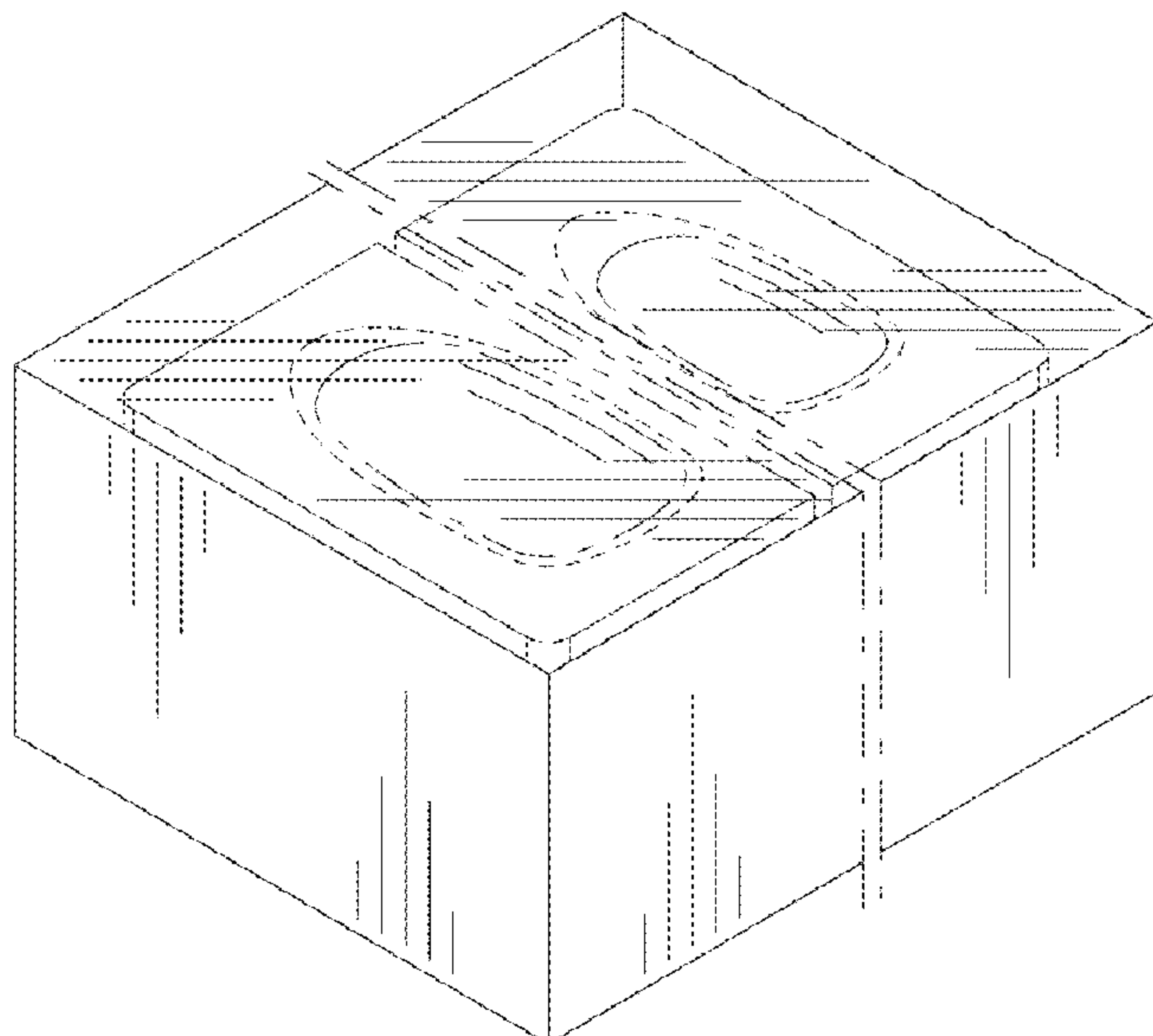
(57) **CLAIM**

The ornamental design for a product packaging for artificial nails, as shown and described.

DESCRIPTION

FIG. 1 is an isometric view of a product packaging for artificial nails showing my new design;
FIG. 2 is a top view thereof;
FIG. 3 is a bottom plan view thereof;
FIG. 4 is a right side elevational view thereof, the left side elevational view being identical to the right side elevational view;
FIG. 5 is a front elevational view thereof, the back elevational view being identical to the front elevational view;
FIG. 6 is an isometric view of a further embodiment of a product packaging for artificial nails showing my new design;
FIG. 7 is a top view thereof;
FIG. 8 is a bottom plan view thereof;
FIG. 9 is a right side elevational view thereof, the left side elevational view being identical to the right side elevational view; and,
FIG. 10 is a front elevational view thereof, the back elevational view being identical to the front elevational view.
The broken lines and unshaded areas depict portions of the product packaging for artificial nails that form no part of the claimed design. The dot-dash-dot broken lines depict the boundaries of the claim and form no part thereof.

1 Claim, 6 Drawing Sheets



(56)

References Cited

U.S. PATENT DOCUMENTS

D349,975	S *	8/1994	Bannett	D28/56
D365,175	S *	12/1995	La Joie	D28/56
5,816,408	A *	10/1998	Indelicato	B65D 75/32
					206/581
6,237,777	B1 *	5/2001	Bierly	B65D 5/5038
					206/769
D452,045	S *	12/2001	Ferber	D28/61
D492,595	S *	7/2004	Chang	D9/423
7,628,278	B2 *	12/2009	Coppola	B65D 5/5028
					206/823
8,245,849	B2 *	8/2012	Sung	B65D 11/04
					206/499
D708,069	S *	7/2014	Park	D9/624
D745,387	S *	12/2015	Roquemore	D9/600
D748,499	S *	2/2016	Hanna	D9/425
D758,191	S *	6/2016	Tu	D9/414
D795,568	S *	8/2017	Hardy	D3/215
D839,479	S *	1/2019	Heslop	D28/61
D873,654	S *	1/2020	Ashiwa	D9/415
D874,919	S *	2/2020	Choi	D9/418
D879,605	S *	3/2020	Leegwater	D9/418
D913,784	S *	3/2021	O'Donnell	D9/432
D915,207	S *	4/2021	Leegwater	D9/517
D939,966	S *	1/2022	Burmeister	D9/721
D941,135	S *	1/2022	De Buhr	D9/415
D943,198	S *	2/2022	Gerhards	D28/8.1
D945,877	S *	3/2022	Smith	A47F 3/145
					D9/418
D955,873	S *	6/2022	Leegwater	D9/418
2004/0045867	A1 *	3/2004	Appelbaum	B65D 77/0453
					206/486

* cited by examiner

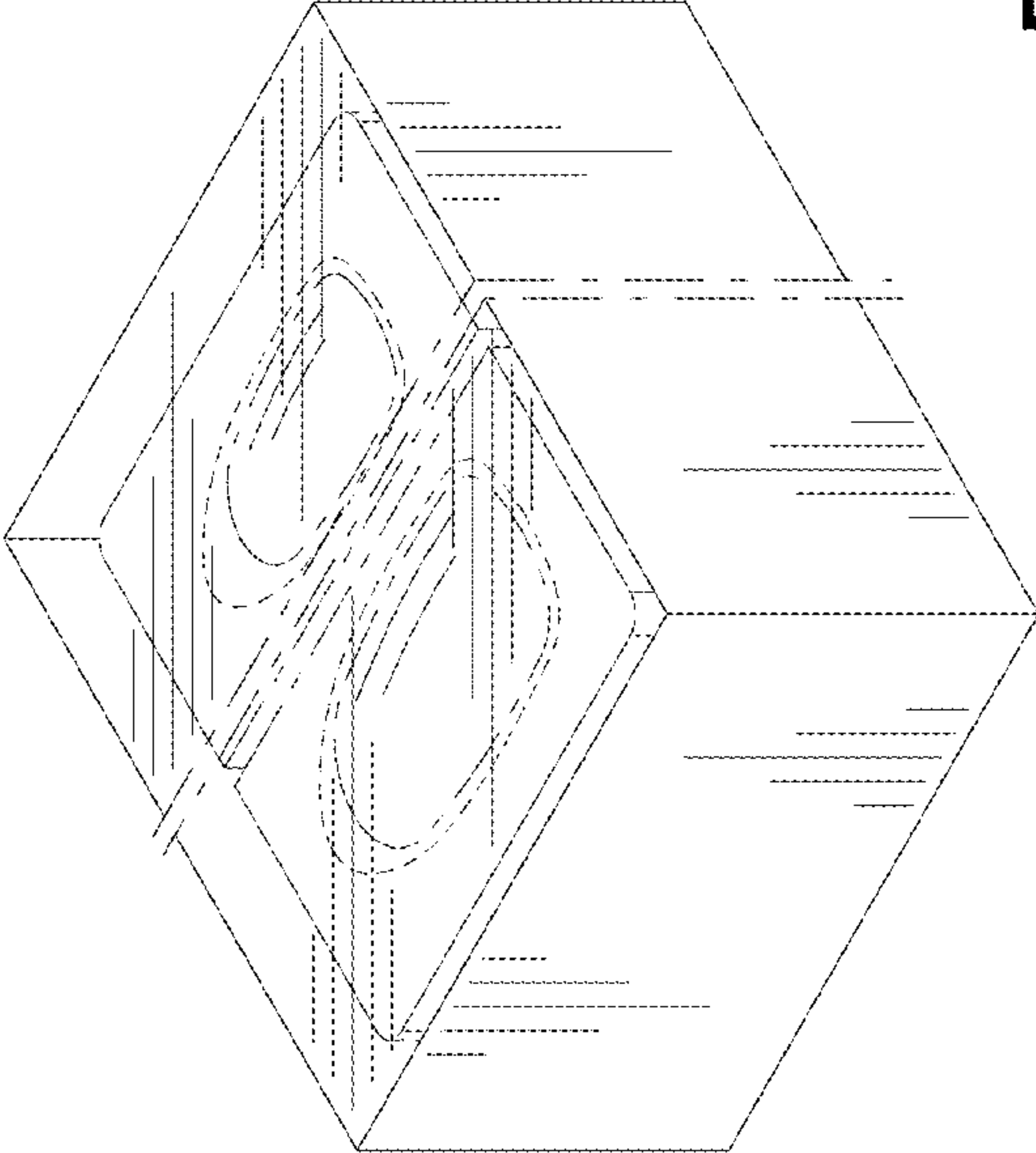


FIG. 1

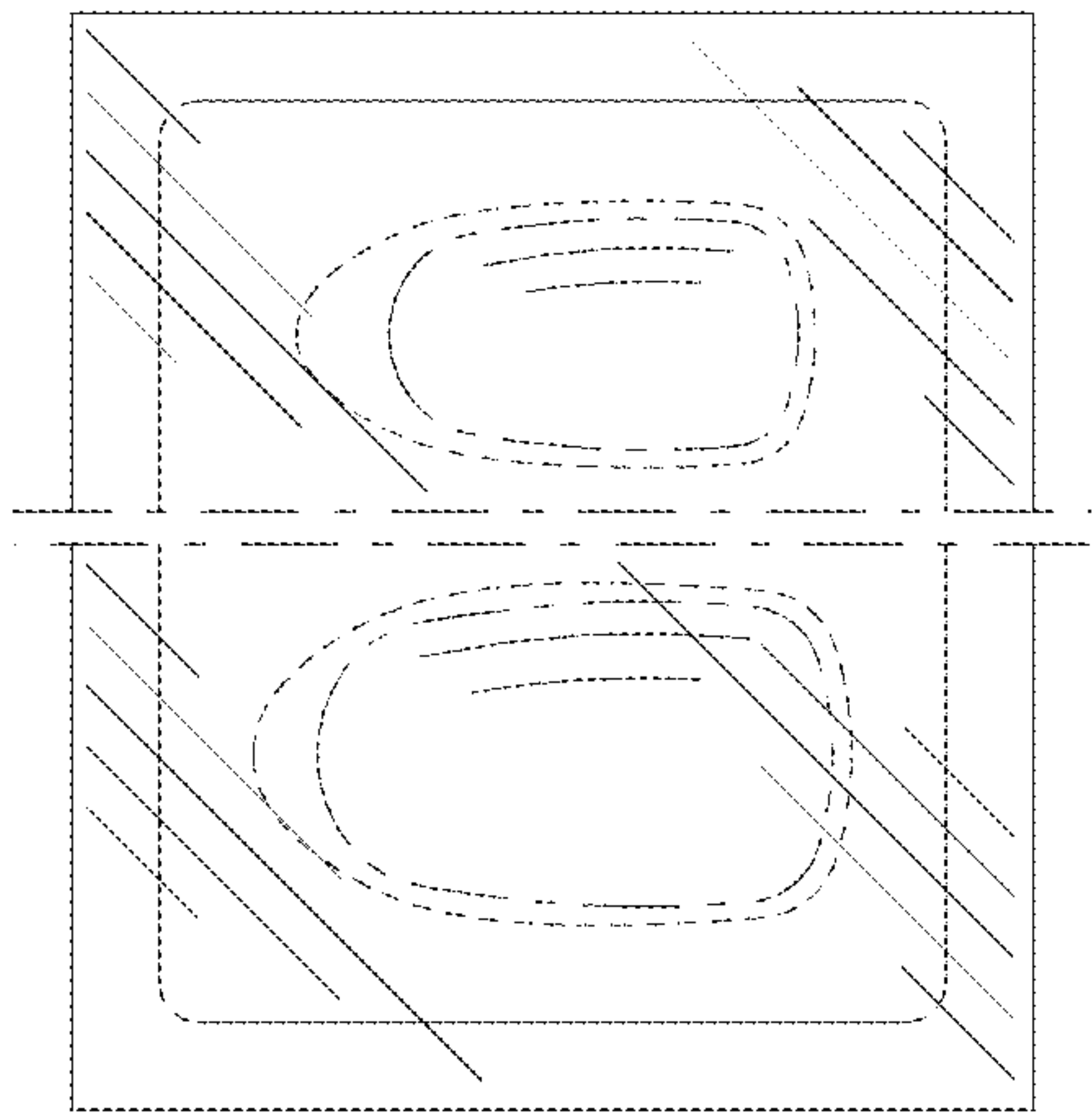


FIG. 2

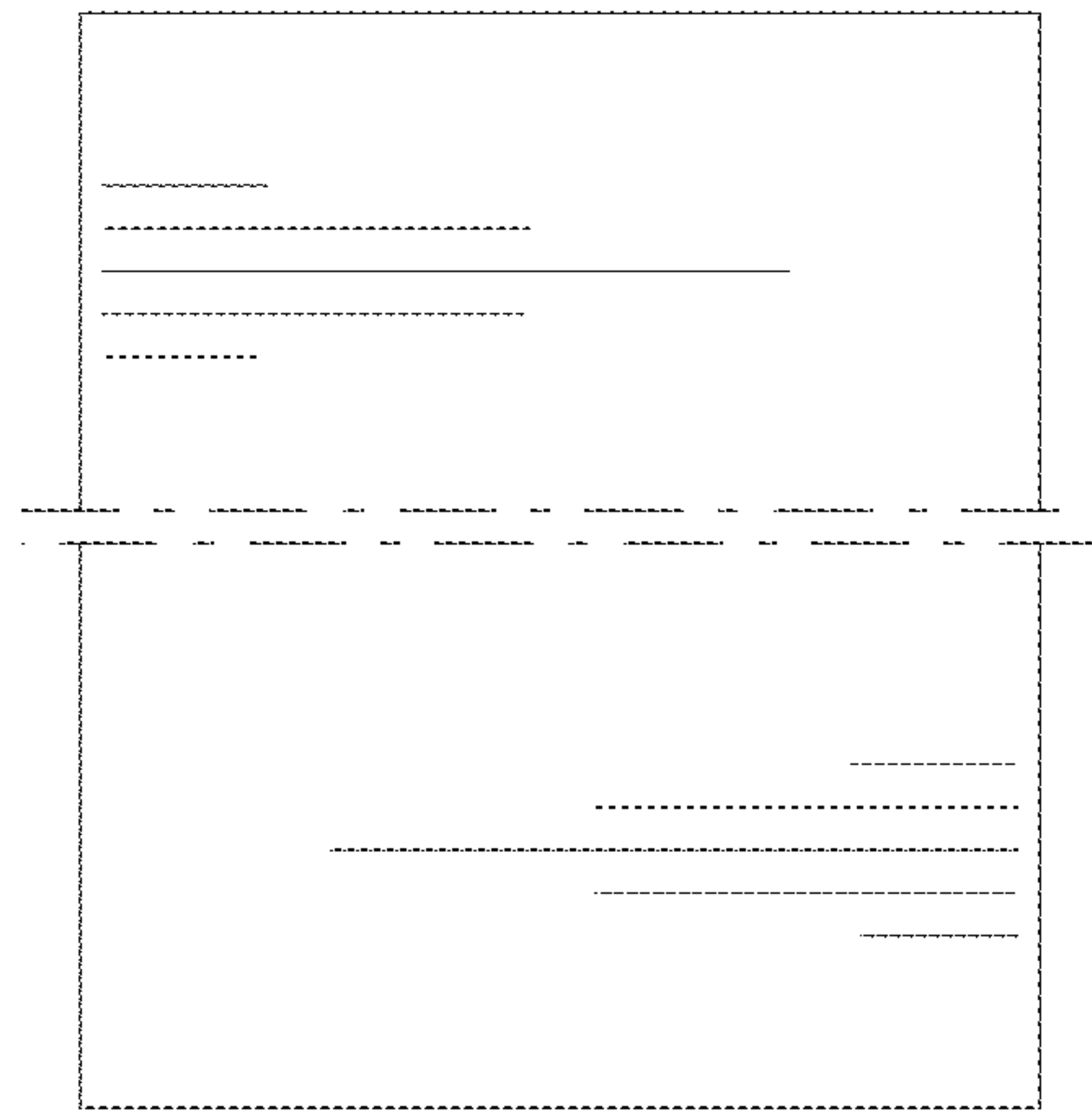


FIG. 3

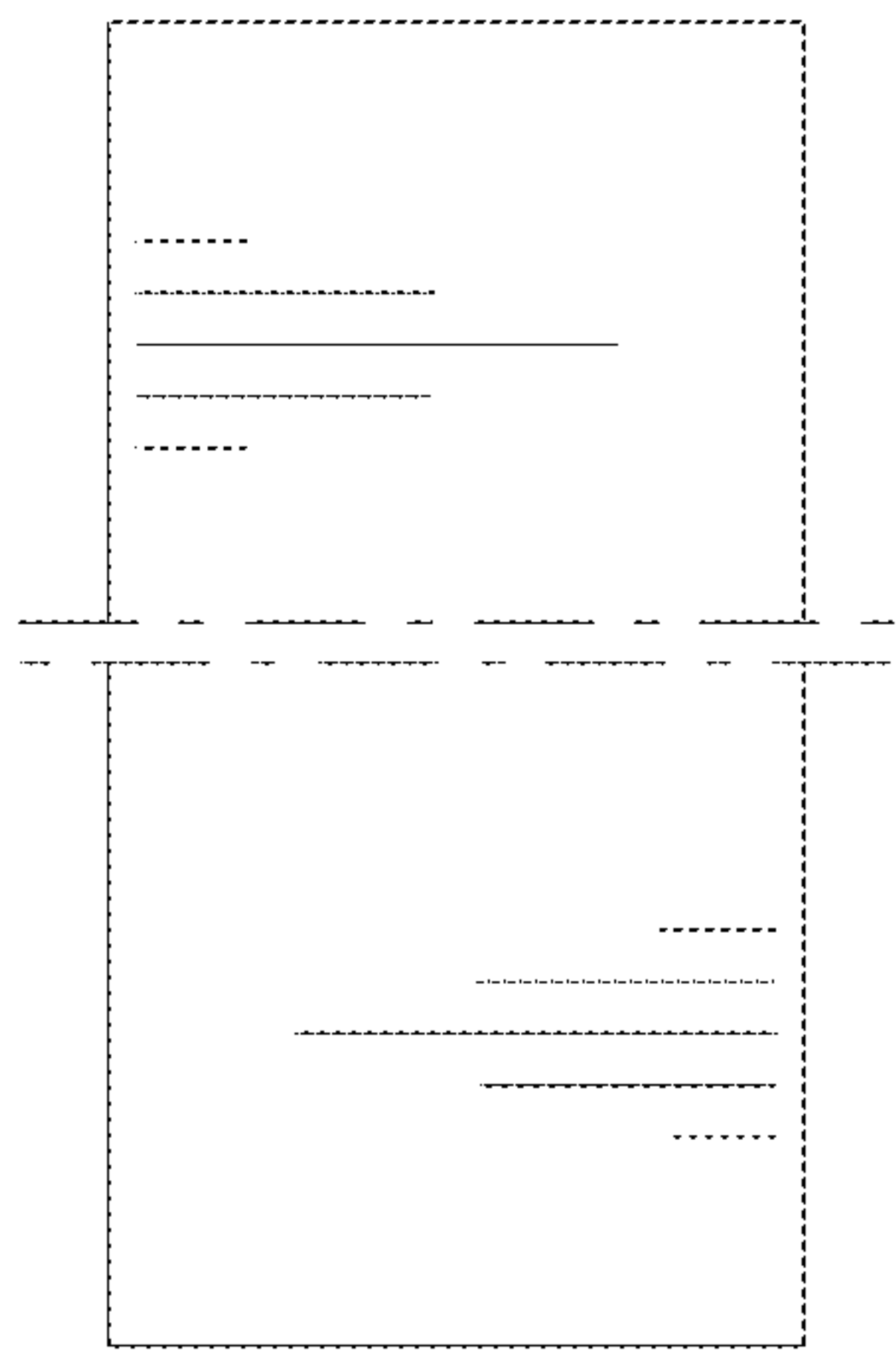


FIG. 4

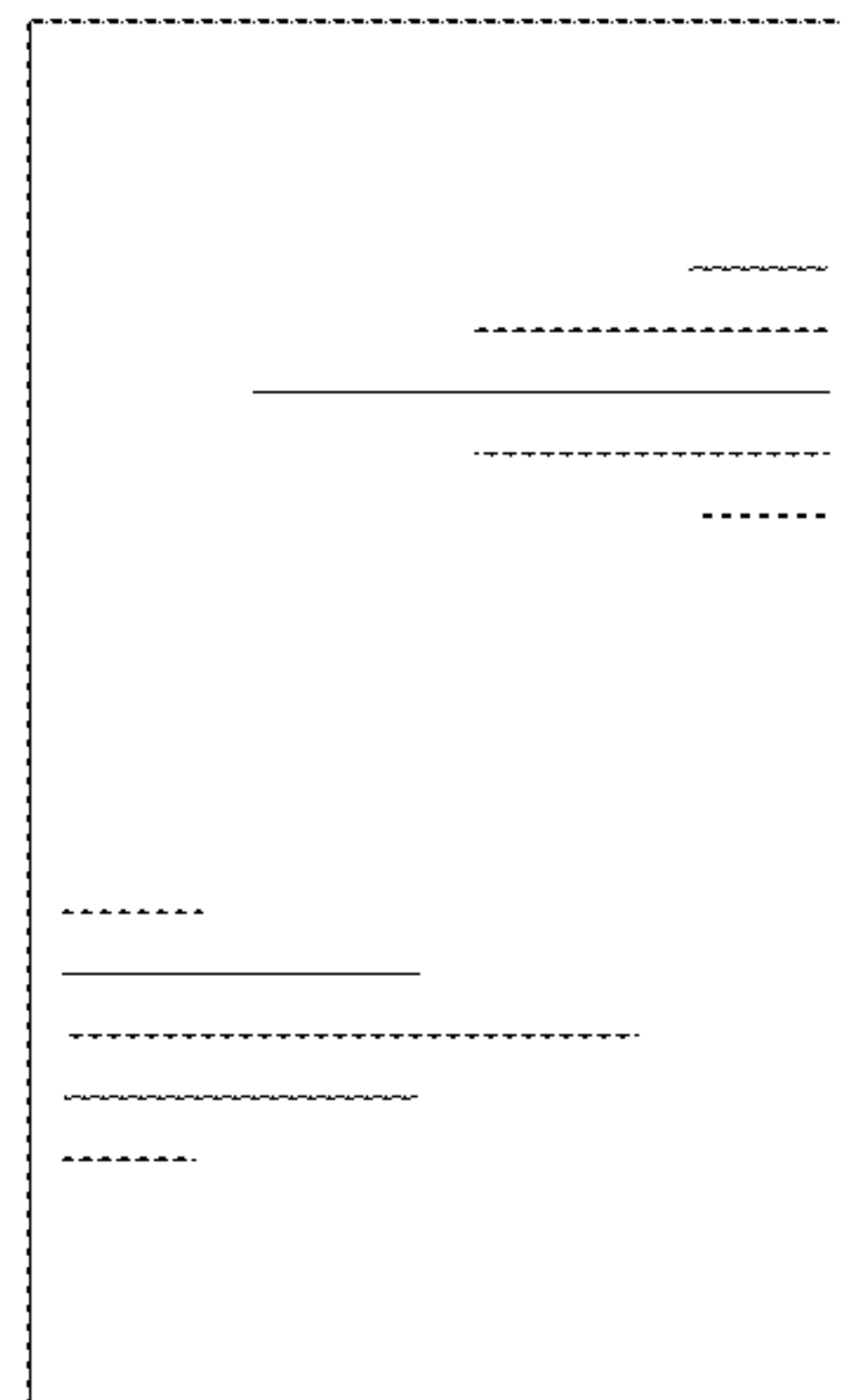


FIG. 5

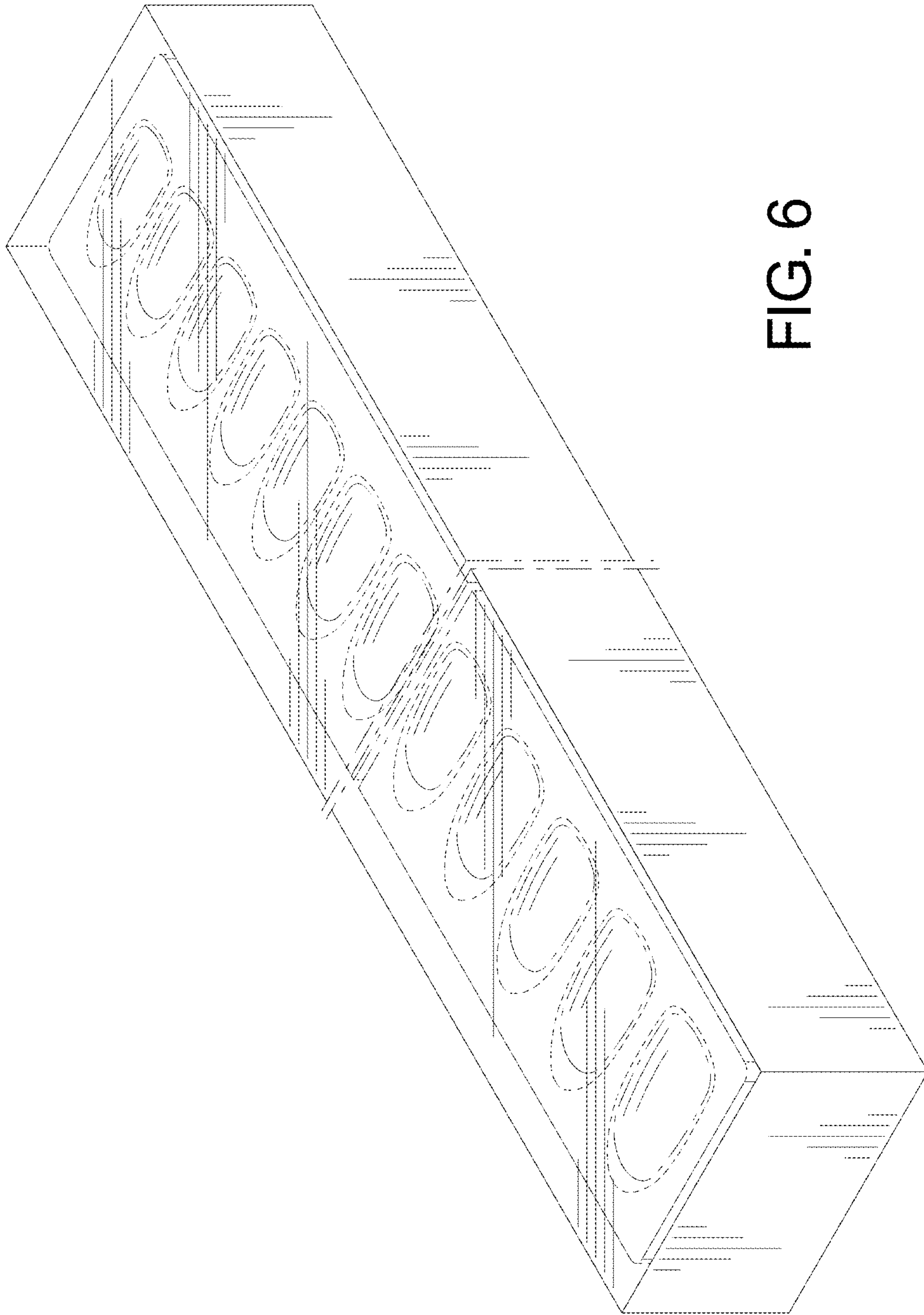


FIG. 6

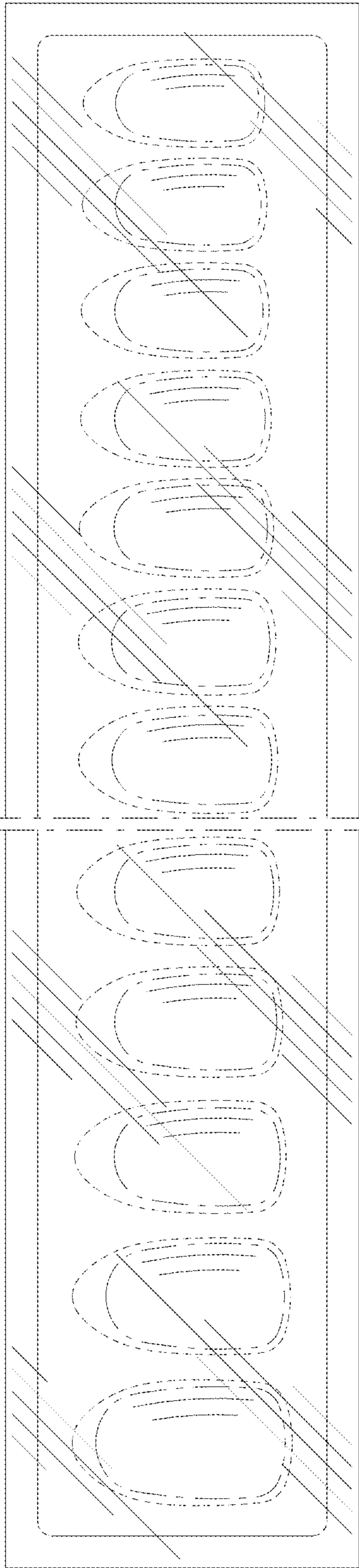


FIG. 7

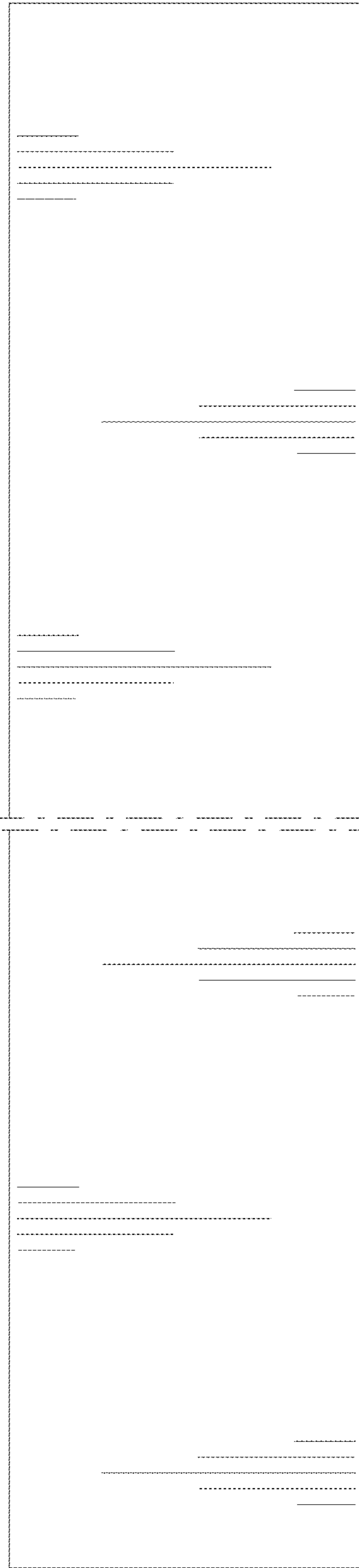


FIG. 8

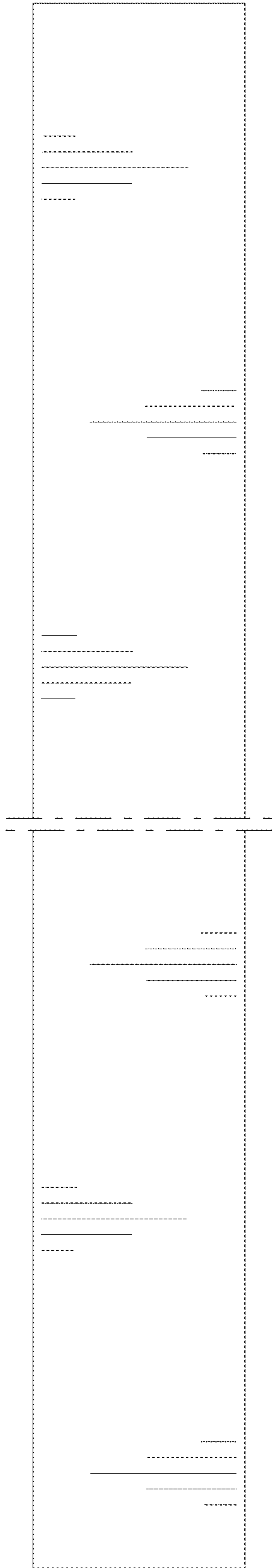


FIG. 9

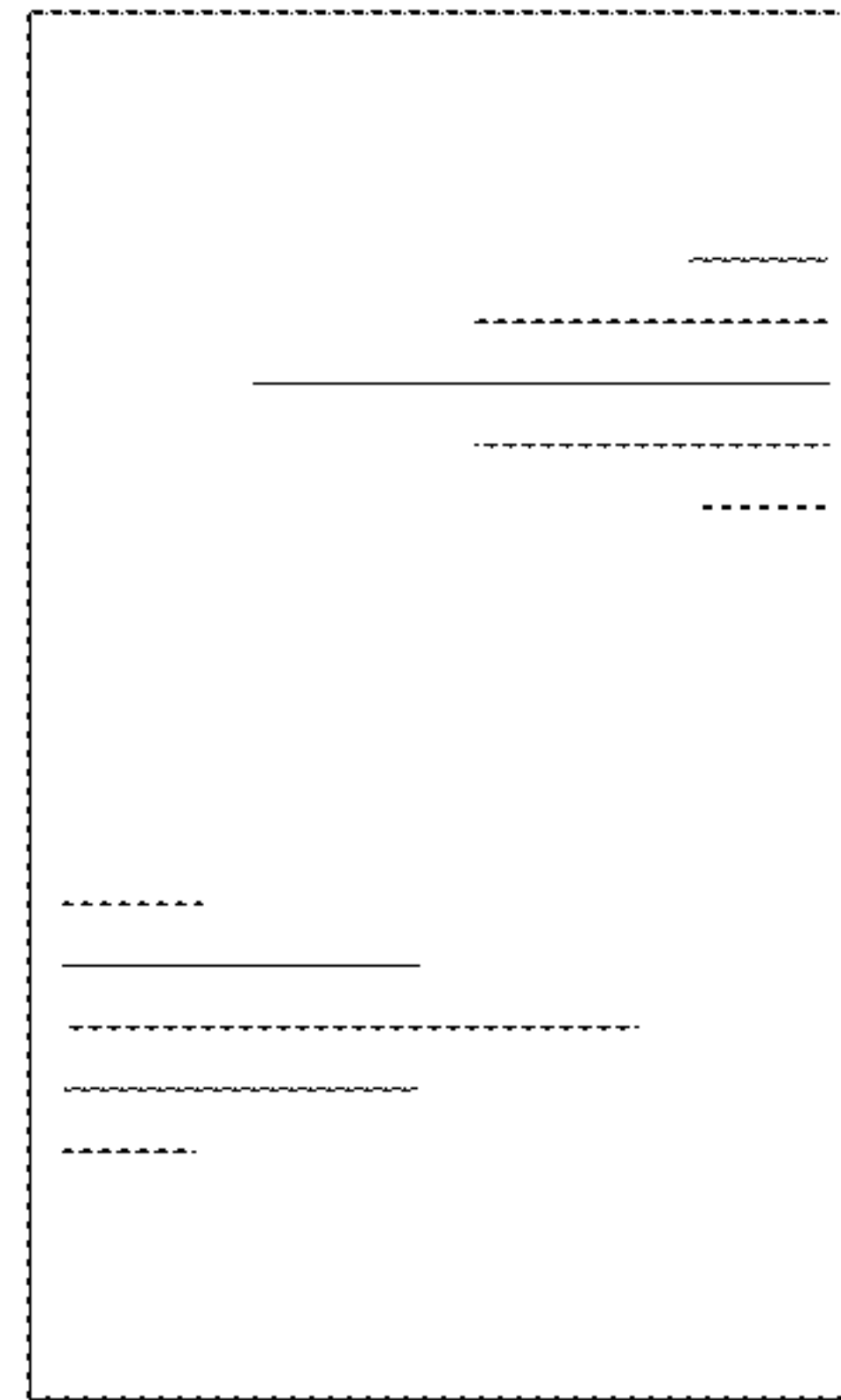


FIG. 10