



US00D966881S

(12) **United States Design Patent**
Polak et al.

(10) **Patent No.:** **US D966,881 S**

(45) **Date of Patent:** **** Oct. 18, 2022**

(54) **ELASTOMERIC CLAMP**

(71) Applicants: **Donald J. Polak**, Nashville, TN (US);
Evan Reese, Nashville, TN (US);
Robbie Hostetter, Bloomfield, IN (US)

(72) Inventors: **Donald J. Polak**, Nashville, TN (US);
Evan Reese, Nashville, TN (US);
Robbie Hostetter, Bloomfield, IN (US)

(73) Assignee: **Bloomfield Manufacturing Co. INC.**,
Bloomfield, IN (US)

(**) Term: **15 Years**

(21) Appl. No.: **29/751,774**

(22) Filed: **Sep. 23, 2020**

(51) **LOC (13) Cl.** **08-08**

(52) **U.S. Cl.**
USPC **D8/396**

(58) **Field of Classification Search**
USPC D8/383, 73, 16, 396, 395, 394, 72, 382,
D8/352, 349, 323, 306, 325; D10/31, 33,
D10/38; D16/245, 242
CPC ... H02G 3/30; F16L 3/12; B60R 11/06; B60R
11/00; B60R 2011/0071; B60R
2011/0052; B60R 2011/004; B60R
2011/0003
See application file for complete search history.

(56) **References Cited**

U.S. PATENT DOCUMENTS

4,123,095	A *	10/1978	Stehlin	F16L 23/06 24/270
D580,748	S *	11/2008	Polak	D8/394
D736,884	S *	8/2015	Lovley, II	D8/394
D798,699	S *	10/2017	Roiser	D8/396
D804,942	S *	12/2017	Toll	D8/396
D905,805	S *	12/2020	Muir	D21/694
D909,843	S *	2/2021	Van Hulst	D8/72
D909,844	S *	2/2021	Van Hulst	D8/72

D948,304	S *	4/2022	Van Hulst	D8/72
D948,981	S *	4/2022	Van Hulst	D8/72
2004/0262462	A1 *	12/2004	Polak	H02G 3/30 248/74.1
2007/0138351	A1 *	6/2007	Wu	F16L 23/06 248/74.2

(Continued)

FOREIGN PATENT DOCUMENTS

GB	2403262	A *	12/2004	B60R 11/00
GB	2539678	A *	12/2016	A61G 15/10

Primary Examiner — Omeed Agilee

Assistant Examiner — Rozita Mozaffarian

(74) *Attorney, Agent, or Firm* — Brannon Sowers &
Cracraft PC

(57) **CLAIM**

The ornamental design for an elastomeric clamp, as shown.

DESCRIPTION

FIG. 1 is a front perspective view of an elastomeric clamp, showing our new design with a strap portion in a first position;

FIG. 2 is a front side elevation view thereof;

FIG. 3 is a back side elevation view thereof;

FIG. 4 is a left side elevation view thereof;

FIG. 5 is a right side elevation view thereof;

FIG. 6 is a top plan view thereof; and

FIG. 7 is a bottom plan view thereof;

FIG. 8 is a front perspective view of the elastomeric clamp, showing our new design with the strap portion in a second position;

FIG. 9 is a front side elevation view thereof;

FIG. 10 is a back side elevation view thereof;

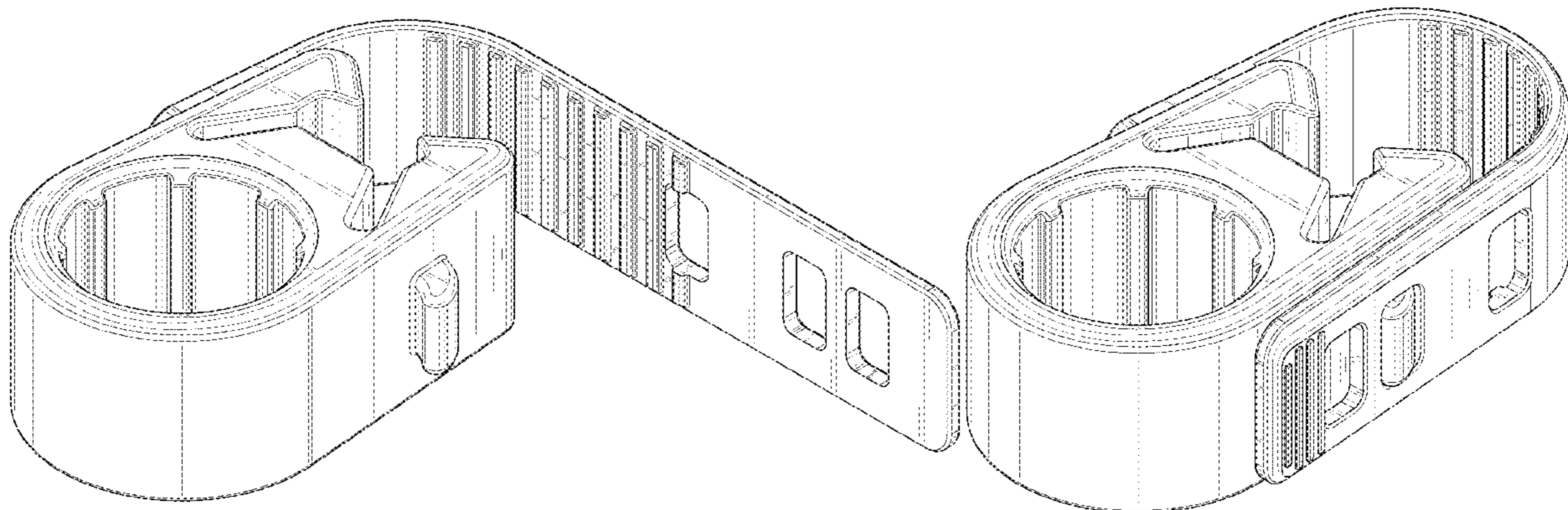
FIG. 11 is a left side elevation view thereof;

FIG. 12 is a right side elevation view thereof;

FIG. 13 is a top plan view thereof; and,

FIG. 14 is a bottom plan view thereof.

1 Claim, 14 Drawing Sheets



(56)

References Cited

U.S. PATENT DOCUMENTS

2013/0160246 A1* 6/2013 Hajduch H02G 3/32
24/16 PB
2018/0224026 A1* 8/2018 Crouzy F16L 33/12

* cited by examiner

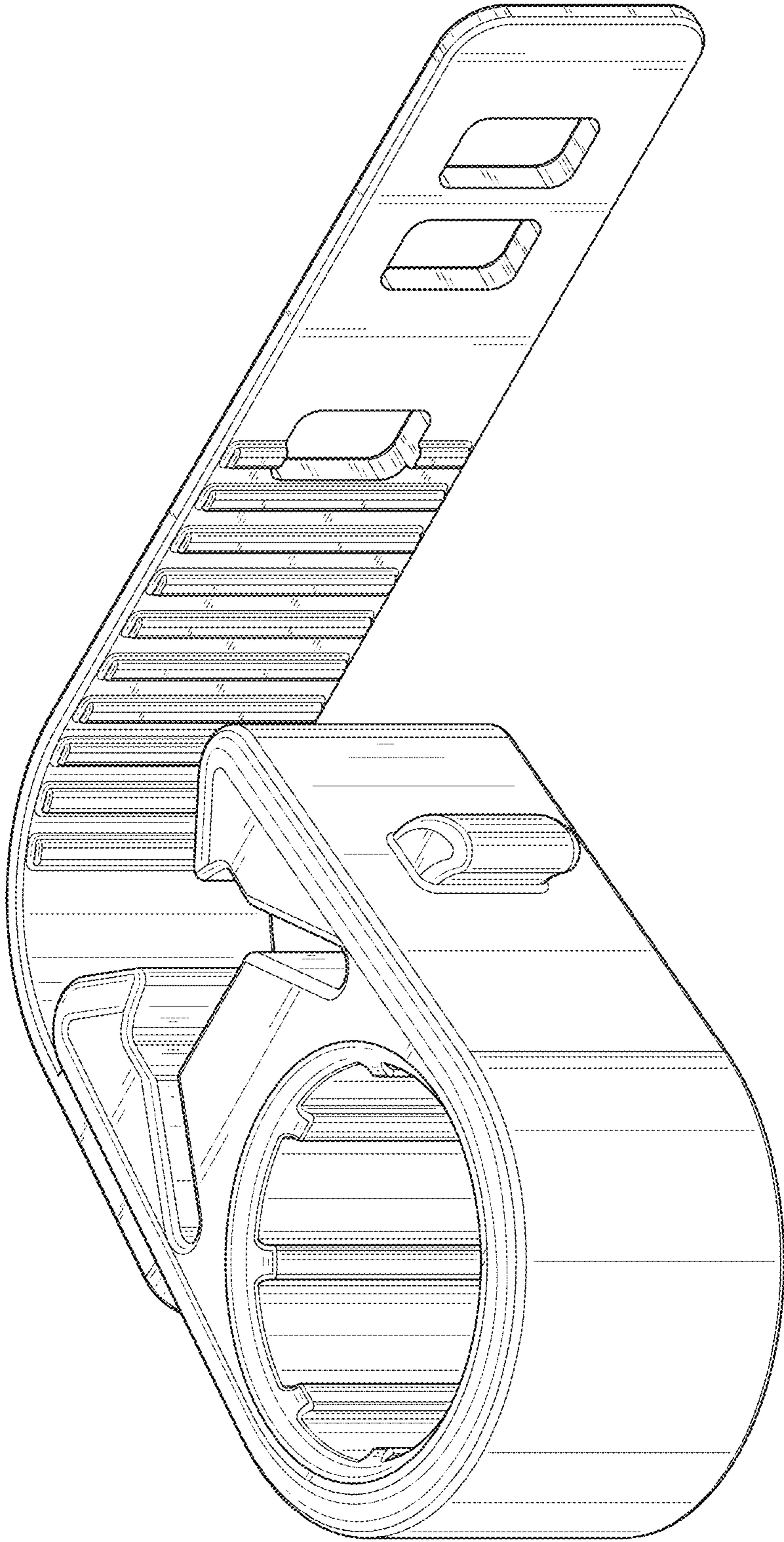


FIG. 1

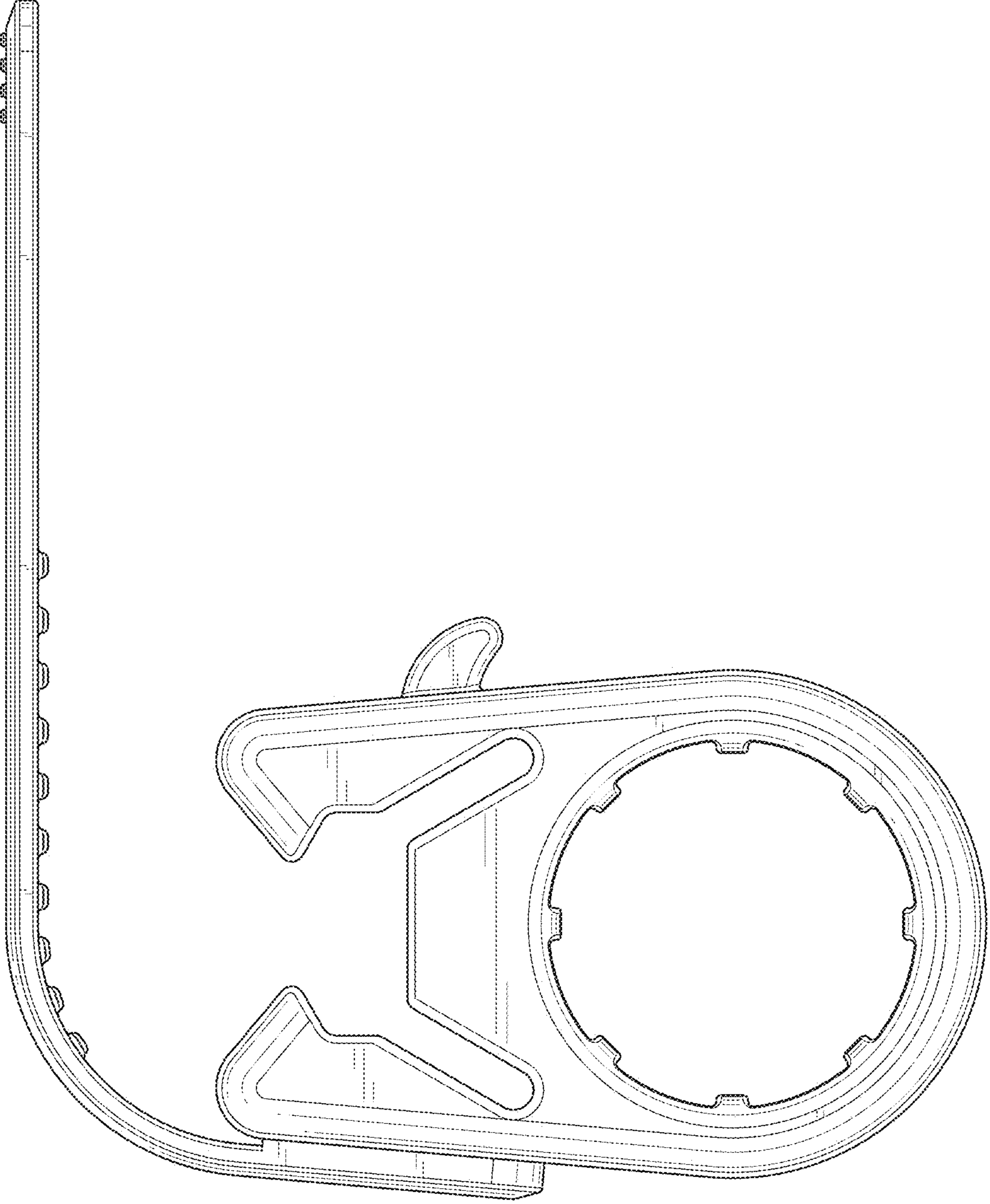


FIG. 2

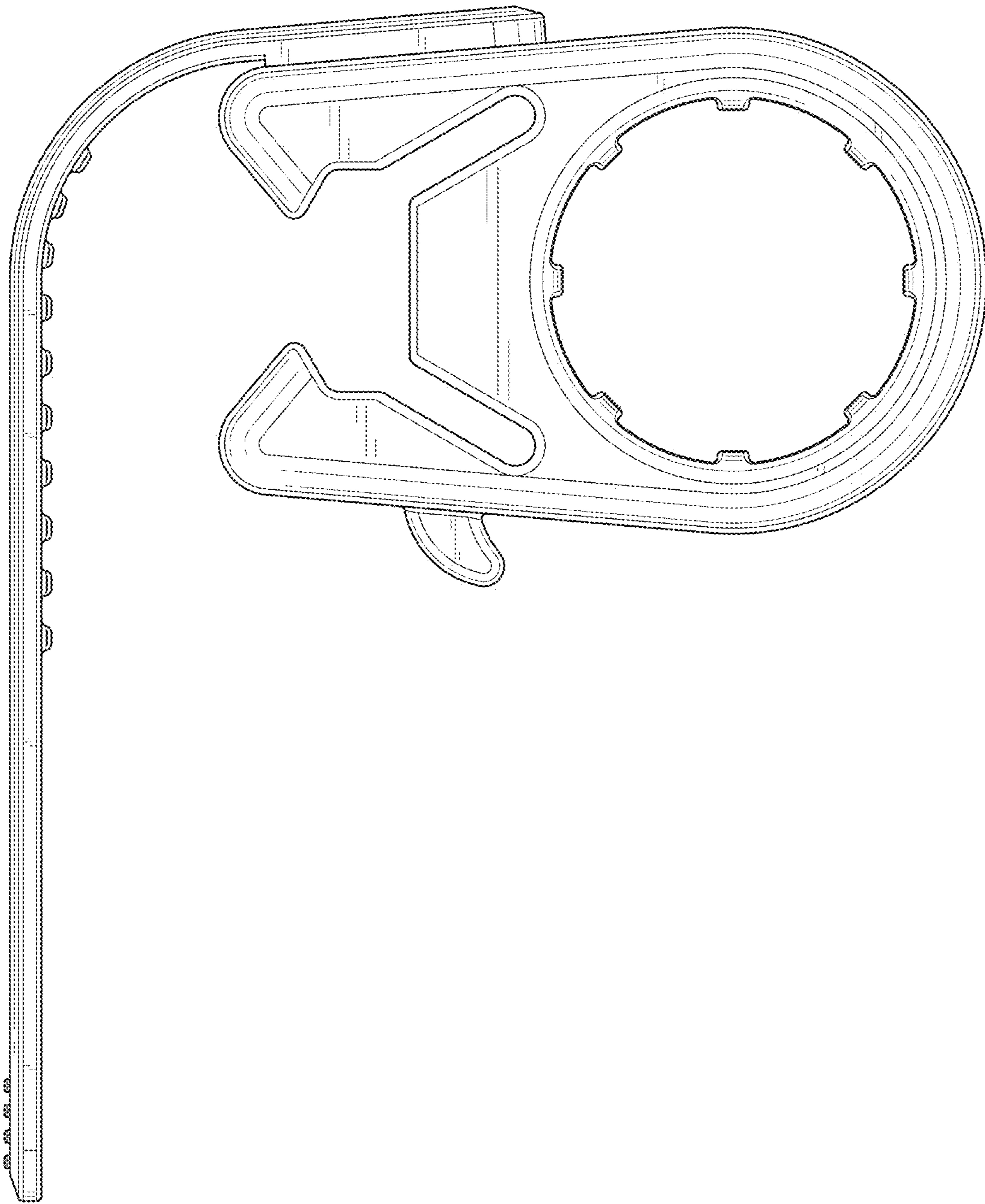


FIG. 3

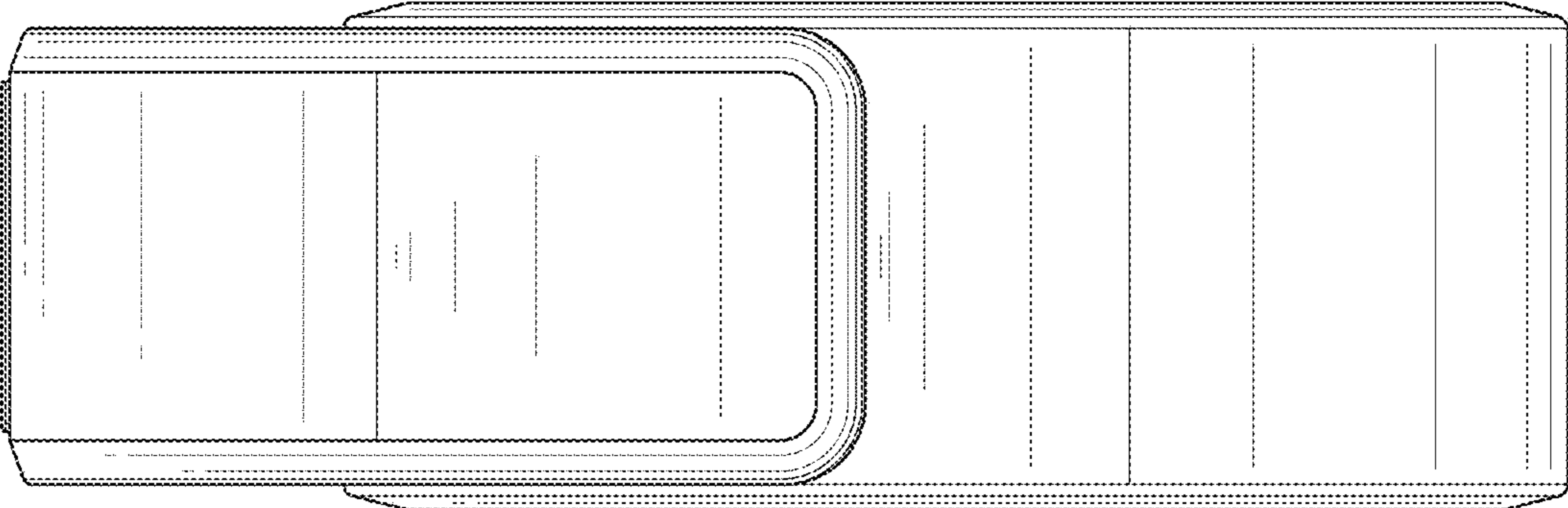


FIG. 4

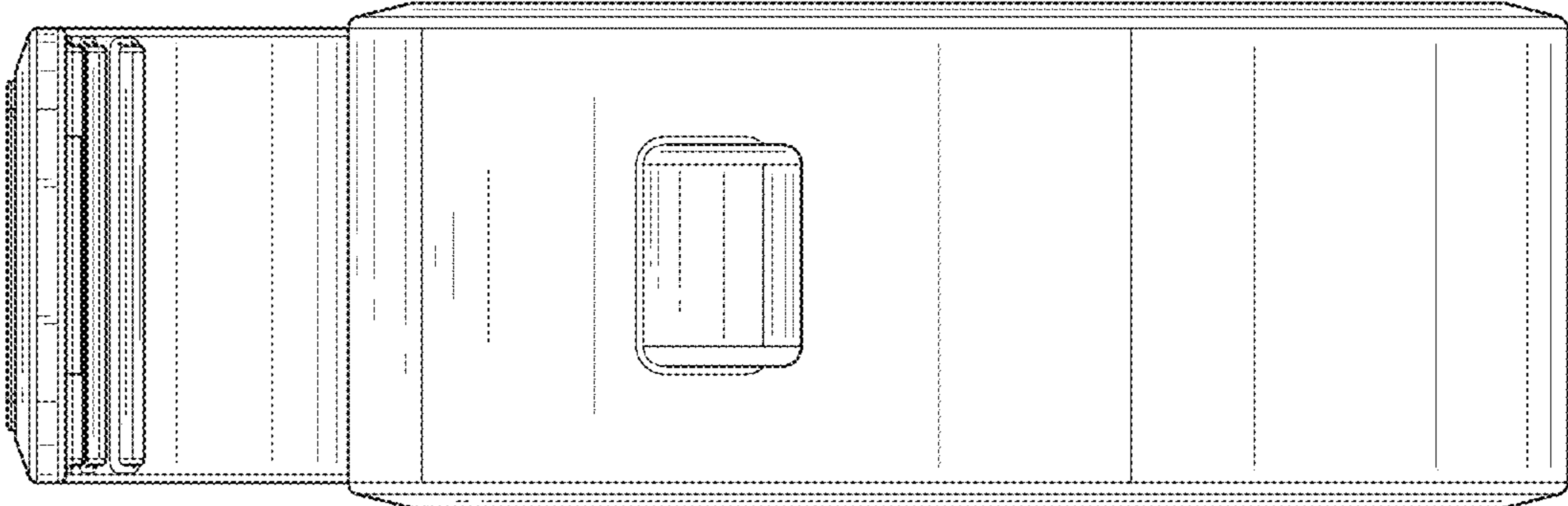


FIG. 5

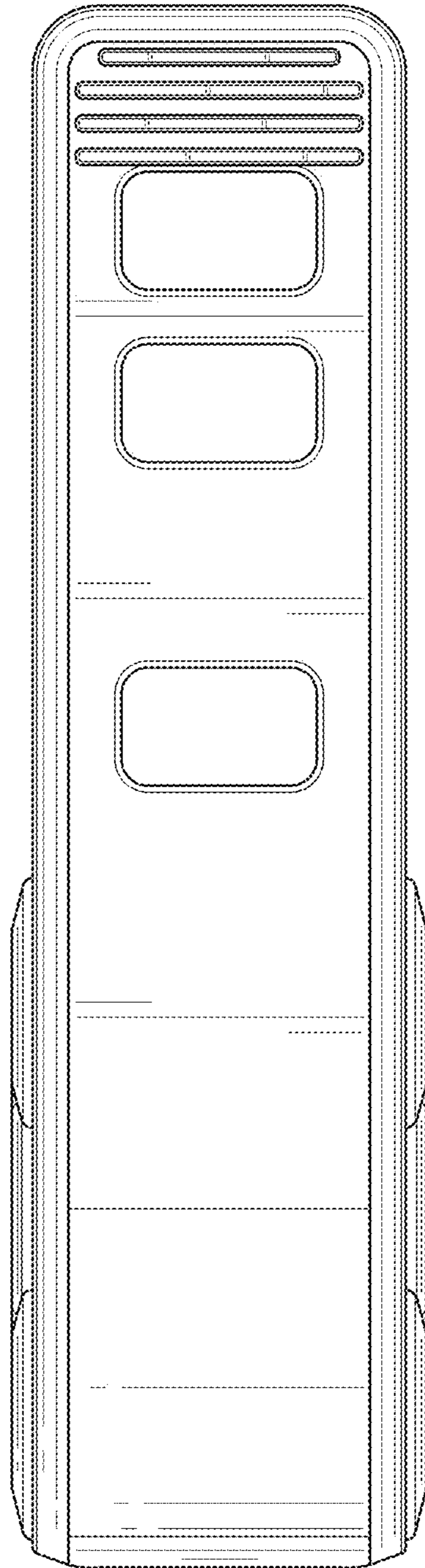


FIG. 6

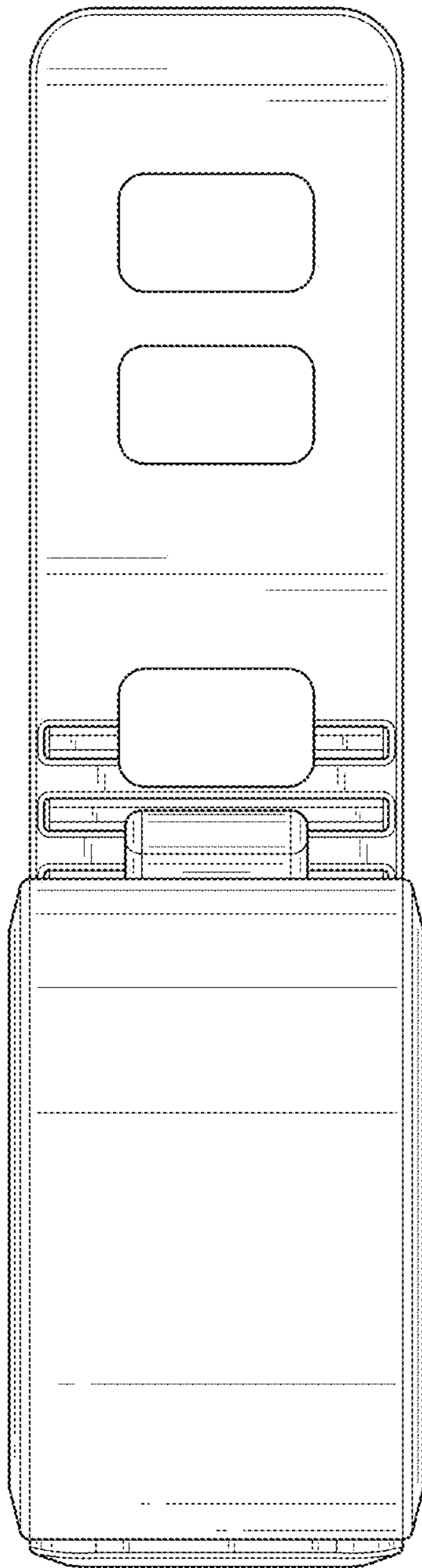


FIG. 7

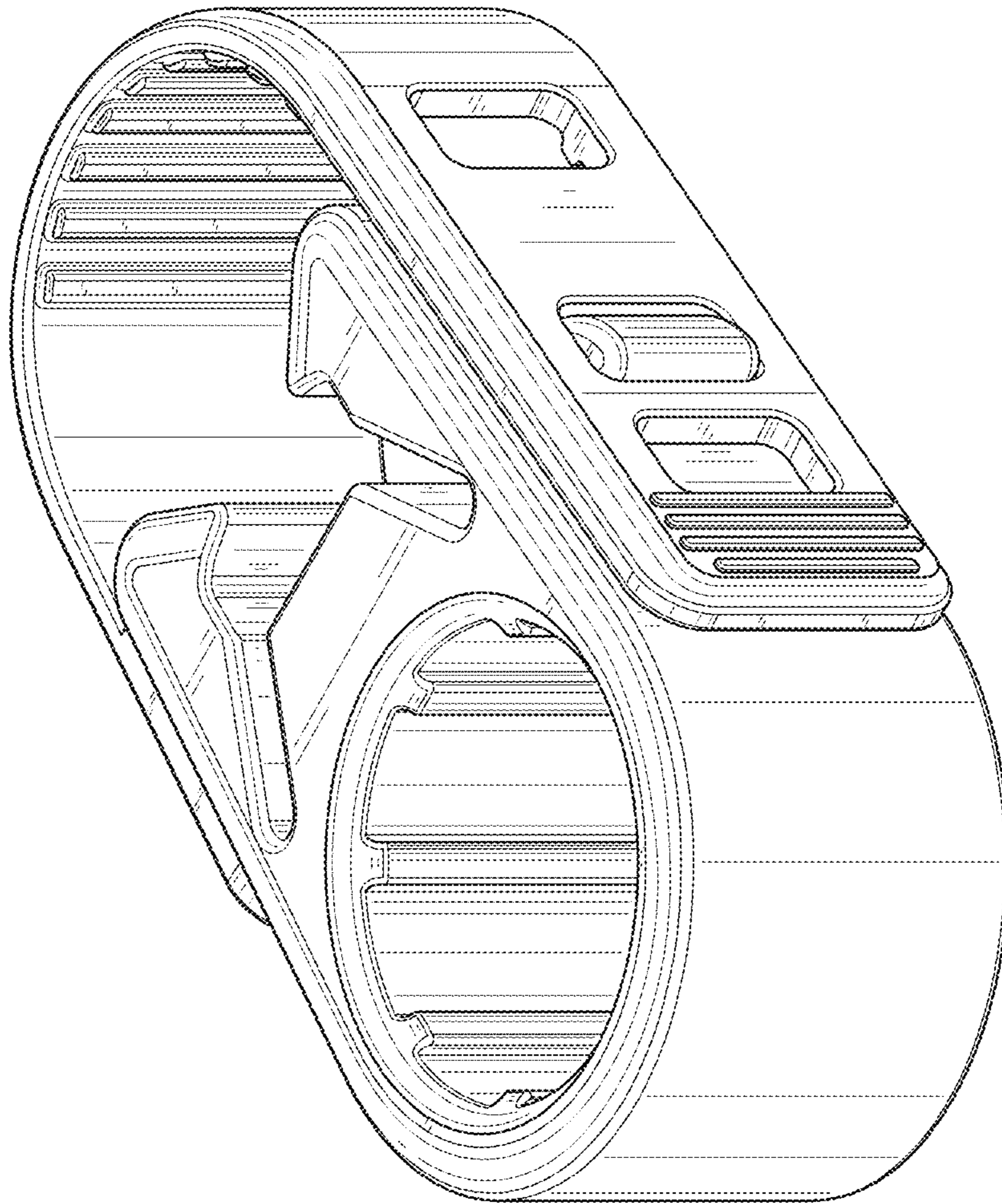


FIG. 8

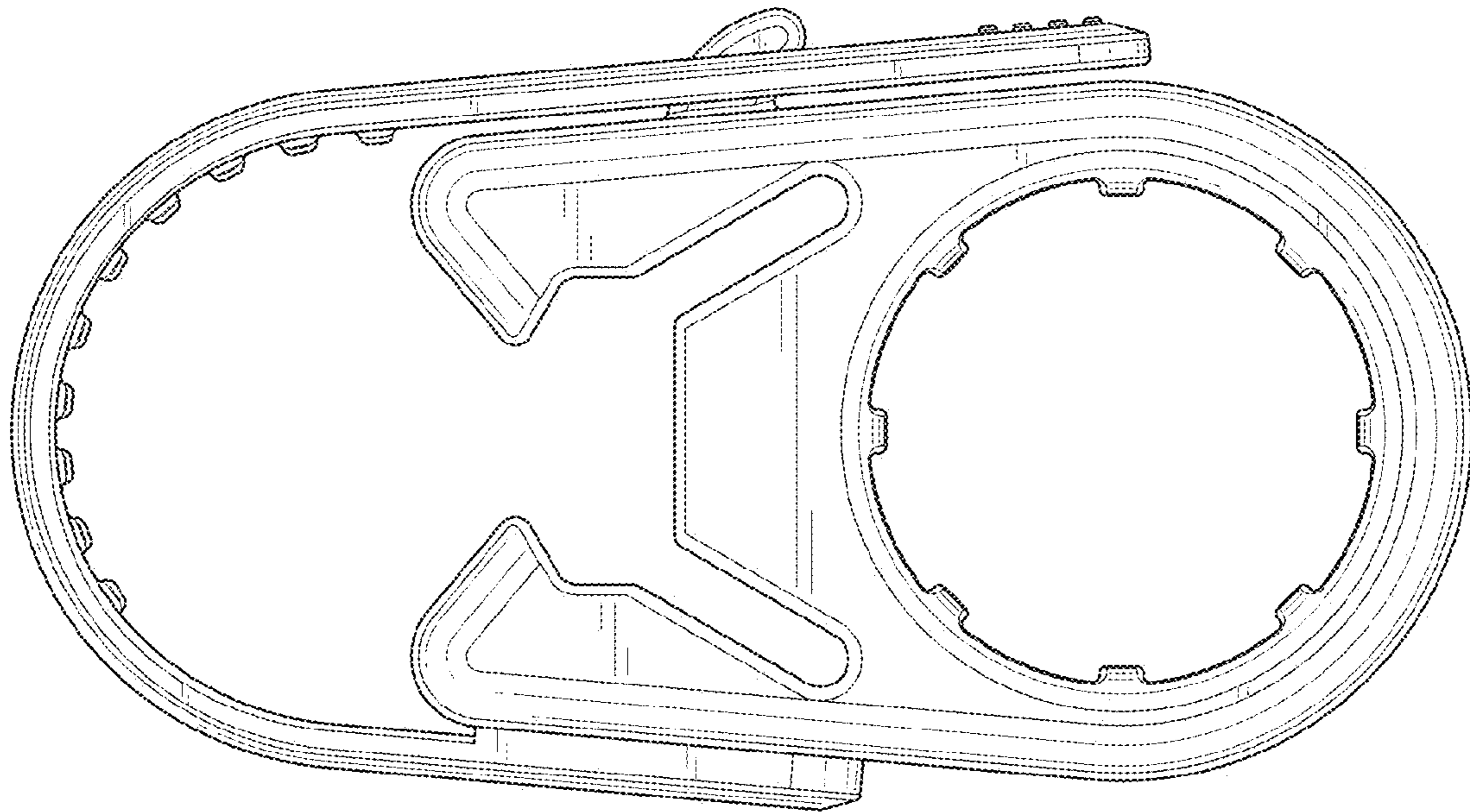


FIG. 9

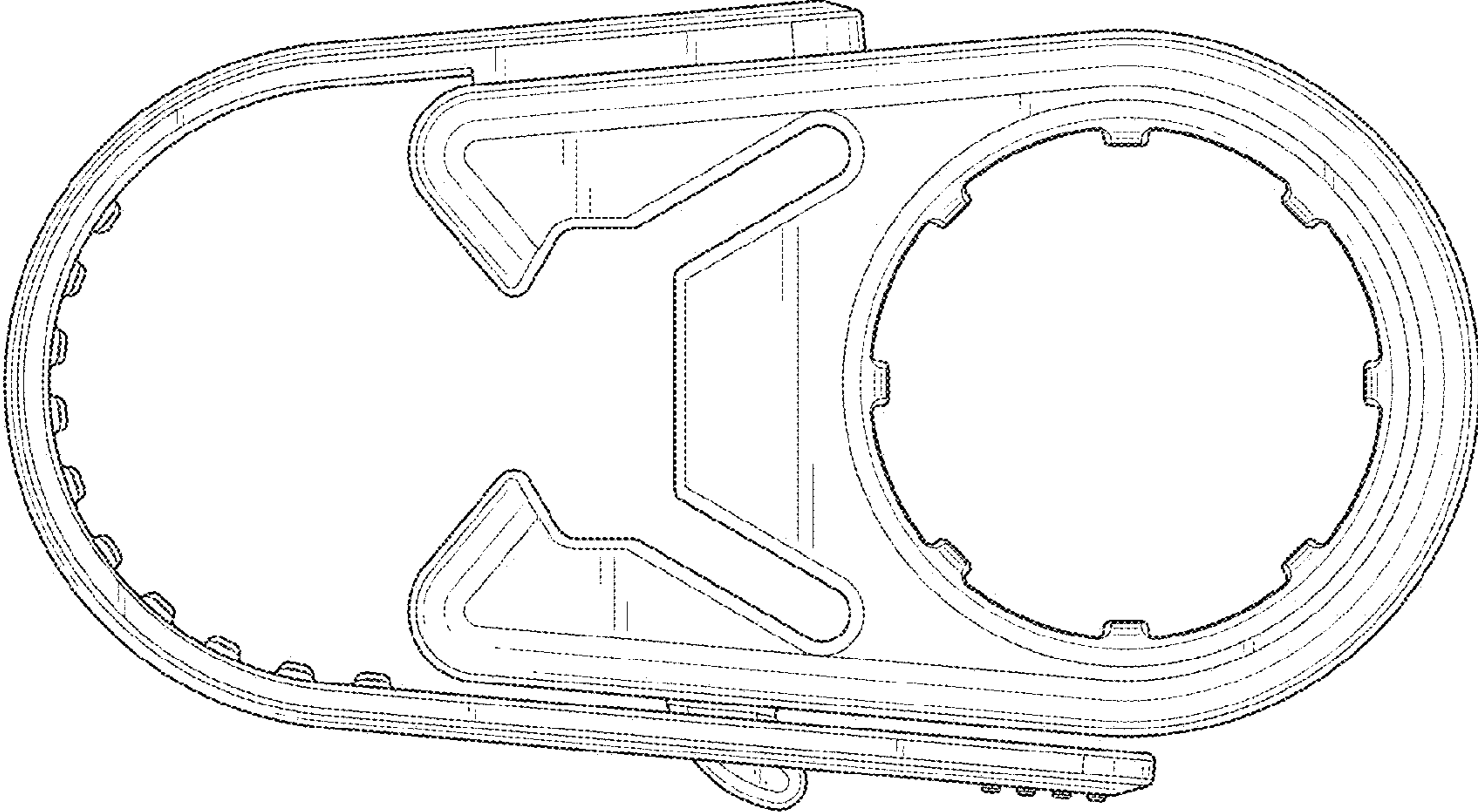


FIG. 10

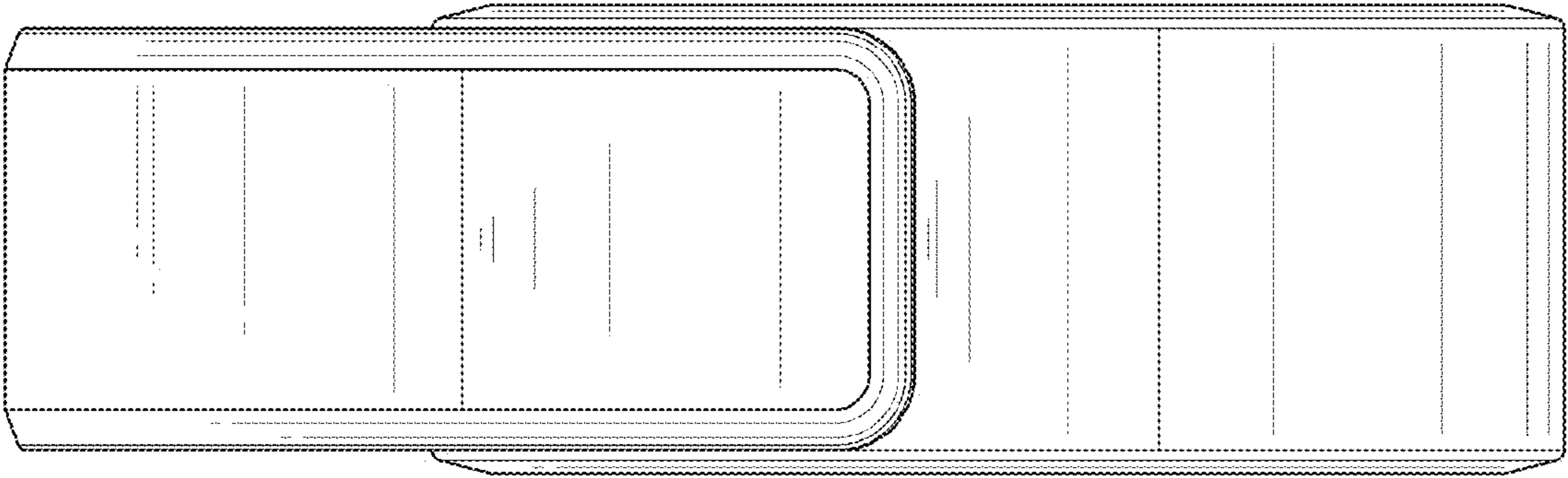


FIG. 11

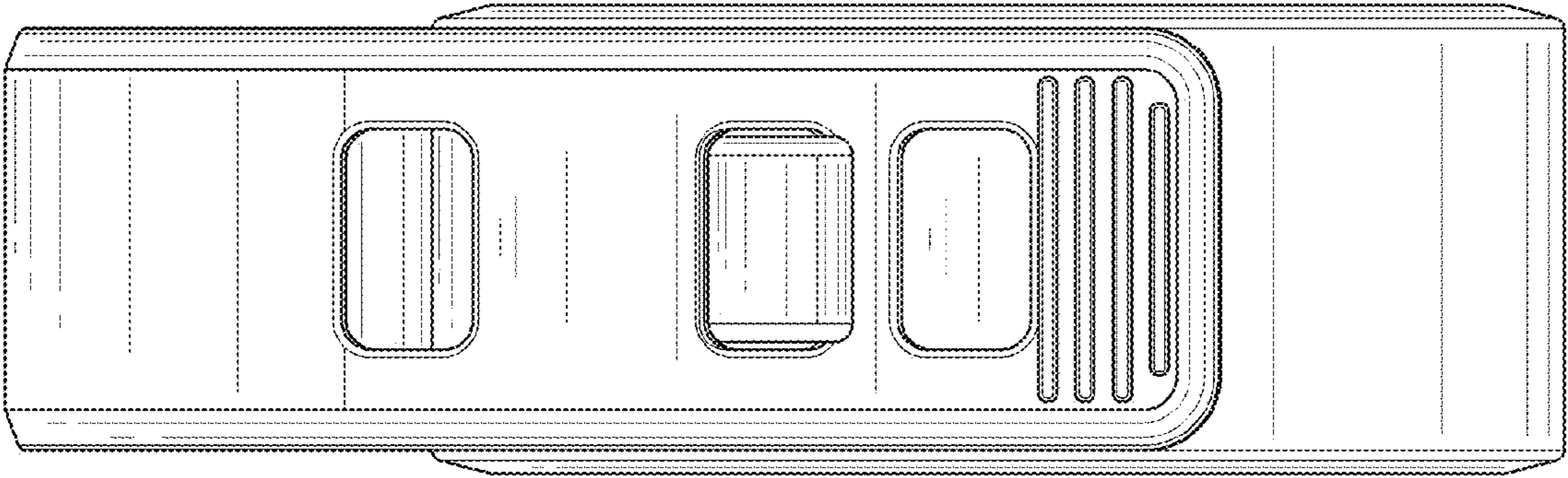


FIG. 12

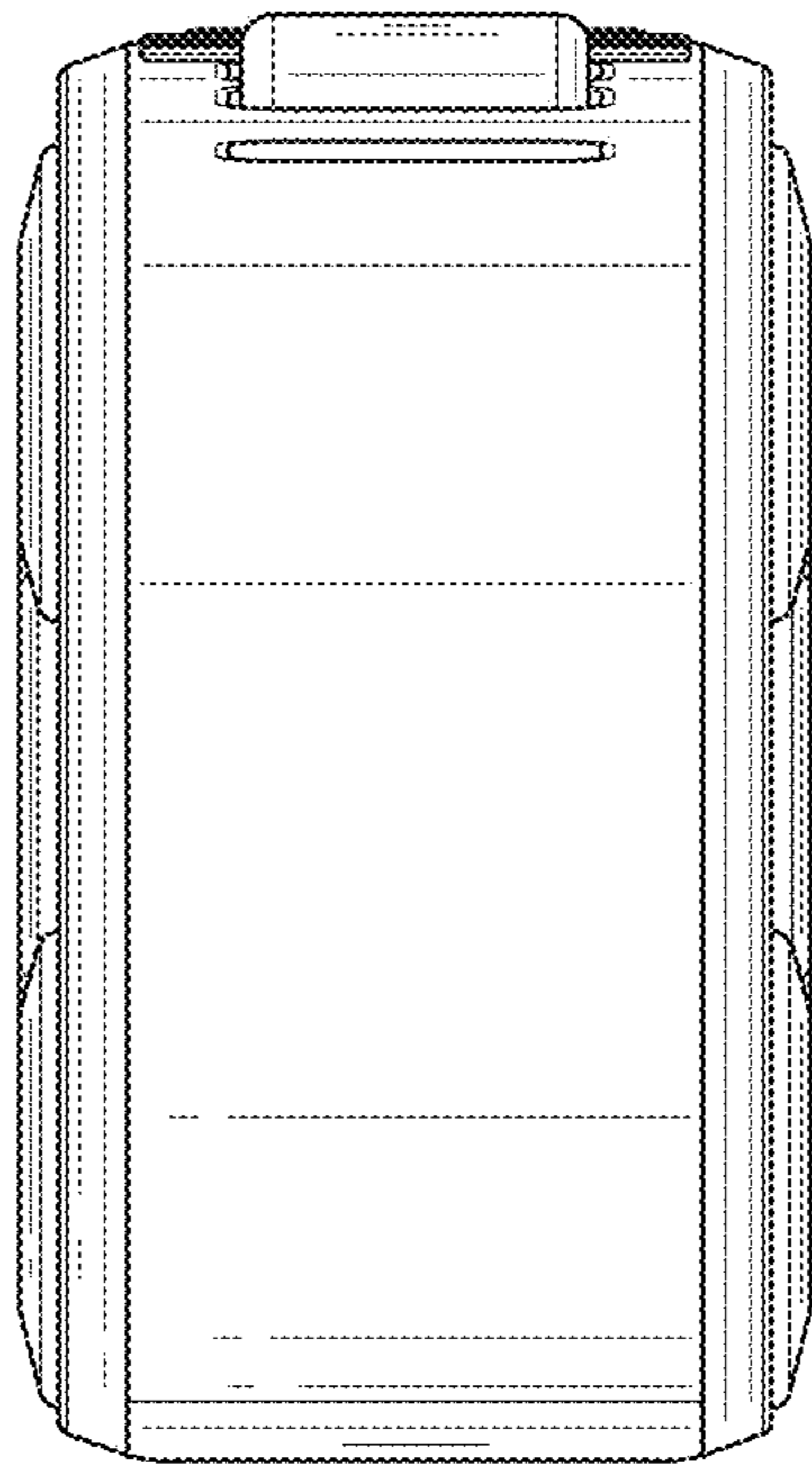


FIG. 13

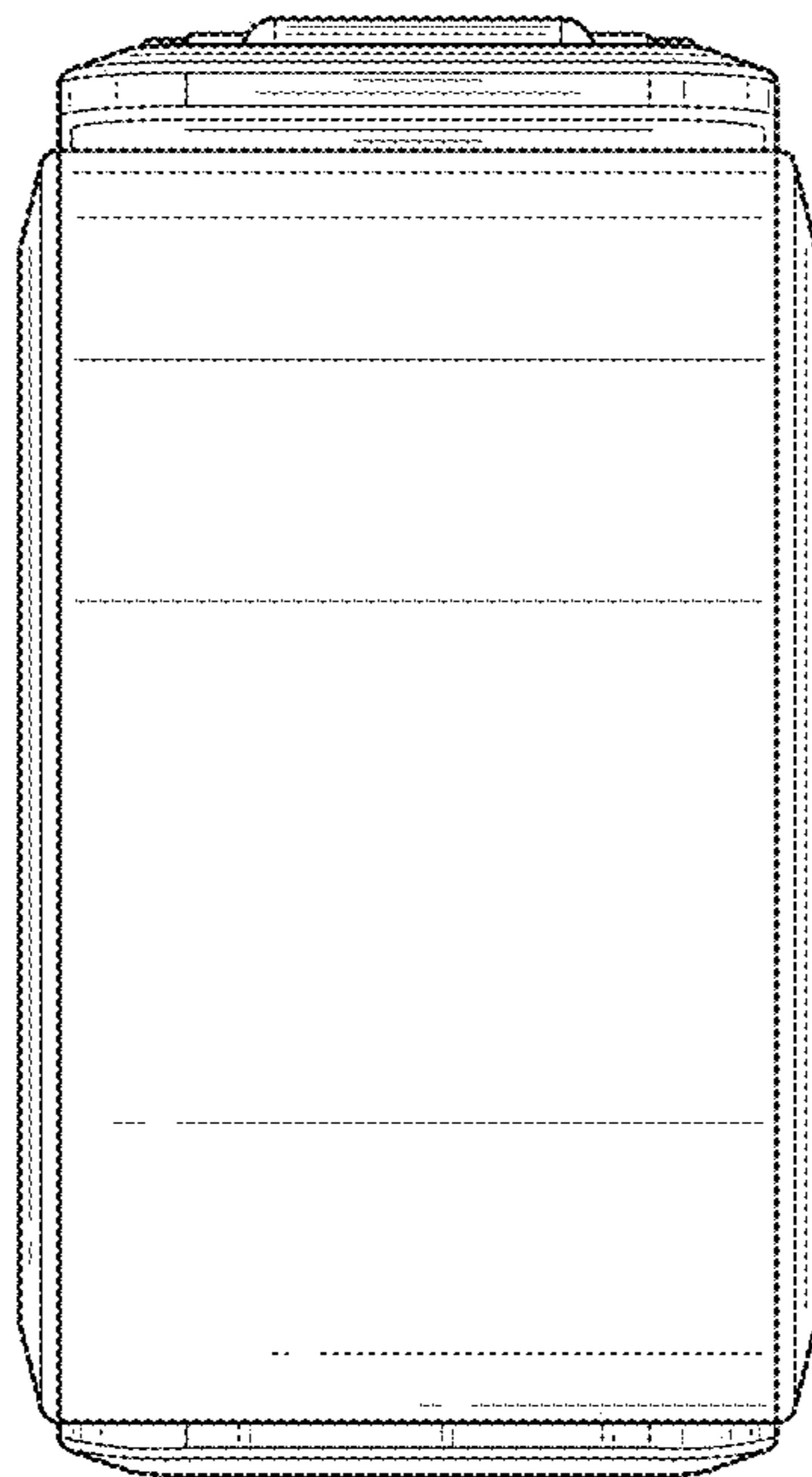


FIG. 14