



US00D966880S

(12) **United States Design Patent** (10) **Patent No.:** **US D966,880 S**
Lamb (45) **Date of Patent:** **** Oct. 18, 2022**

(54) **FASTENER**

CATALOG.PDF, © 2017 Curbell Medical Products, Inc. MAP466D [retrieved from Internet on Dec. 10, 2020], 96pgs.

(71) Applicant: **Hill-Rom Services, Inc.**, Batesville, IN (US)

(Continued)

(72) Inventor: **Christine Michelle Lamb**, Sandy Hook, VA (US)

Primary Examiner — Sheryl Lane

Assistant Examiner — Ieisha N Price

(74) *Attorney, Agent, or Firm* — Alston & Bird LLP

(73) Assignee: **HILL-ROM SERVICES, INC.**, Batesville, IN (US)

(57) **CLAIM**

The ornamental design for a fastener, as shown and described.

(**) Term: **15 Years**

DESCRIPTION

(21) Appl. No.: **29/755,961**

FIG. 1 is a perspective view of a fastener showing the new design;

(22) Filed: **Oct. 23, 2020**

FIG. 2 is a front elevation view thereof;

(51) **LOC (13) Cl.** **08-08**

FIG. 3 is a rear elevation view thereof;

(52) **U.S. Cl.**

FIG. 4 is a top plan view thereof;

USPC **D8/395**; D24/184

FIG. 5 is a bottom plan view thereof;

(58) **Field of Classification Search**

FIG. 6 is a right side elevation view thereof;

USPC D8/71, 72, 73, 394, 395; D11/214, 215; D21/598; D24/184

FIG. 7 is a left side elevation view thereof;

(Continued)

FIG. 8 is an environmental perspective view thereof, shown with an attached call bell device;

(56) **References Cited**

FIG. 9 is a front elevation view thereof;

U.S. PATENT DOCUMENTS

FIG. 10 is a rear elevation view thereof;

1,356,785 A * 10/1920 Patterson D06F 55/00 24/507

FIG. 11 is a top plan view thereof;

D224,085 S * 7/1972 Cuva D8/364

FIG. 12 is a bottom plan view thereof;

(Continued)

FIG. 13 is a right side elevation view thereof;

FOREIGN PATENT DOCUMENTS

FIG. 14 is a left side elevation view thereof; and,

CN 300964091 * 7/2009
CN 304745892 * 7/2018

FIG. 15 is an environmental perspective view thereof, shown attached to a bed rail.

(Continued)

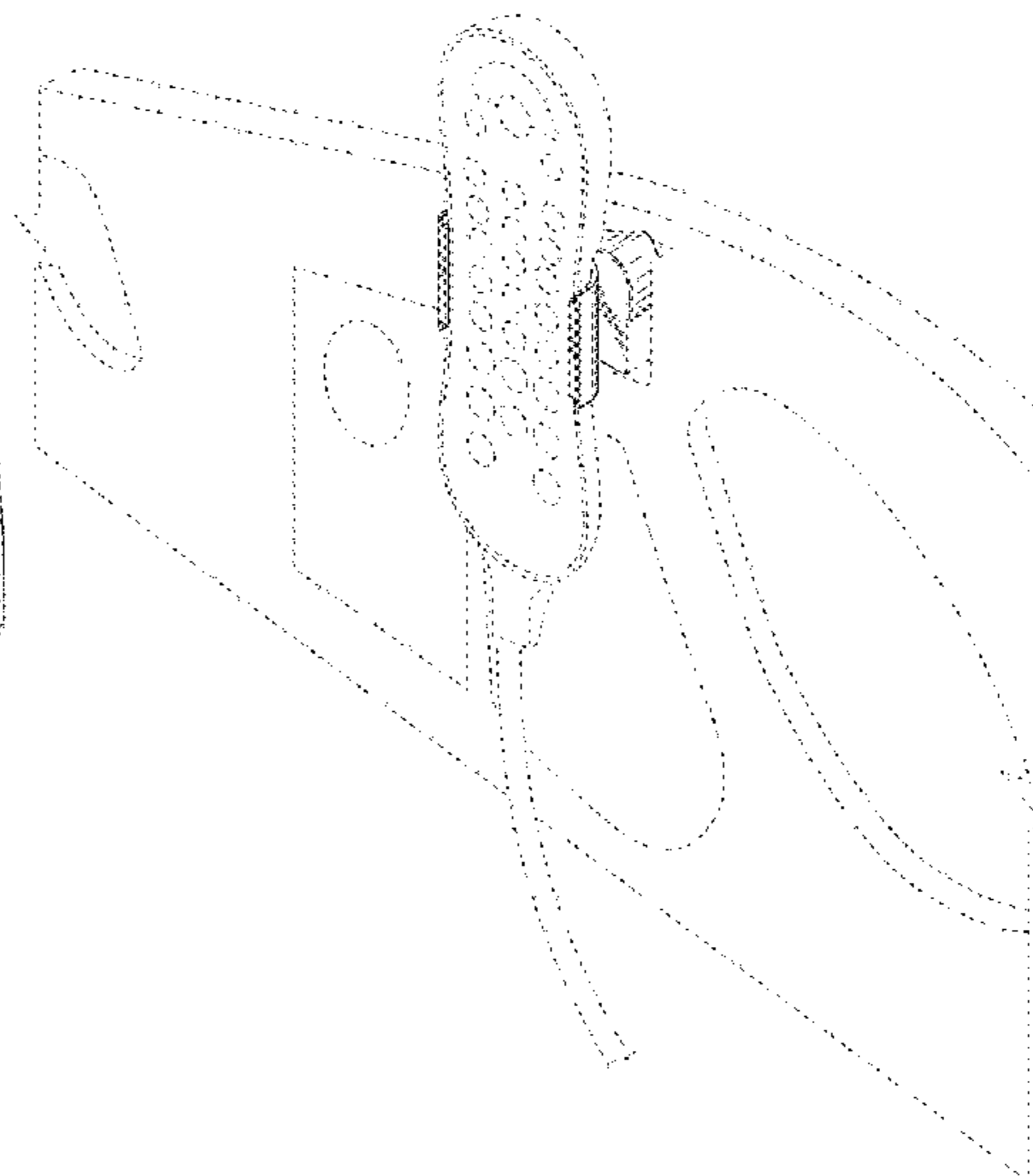
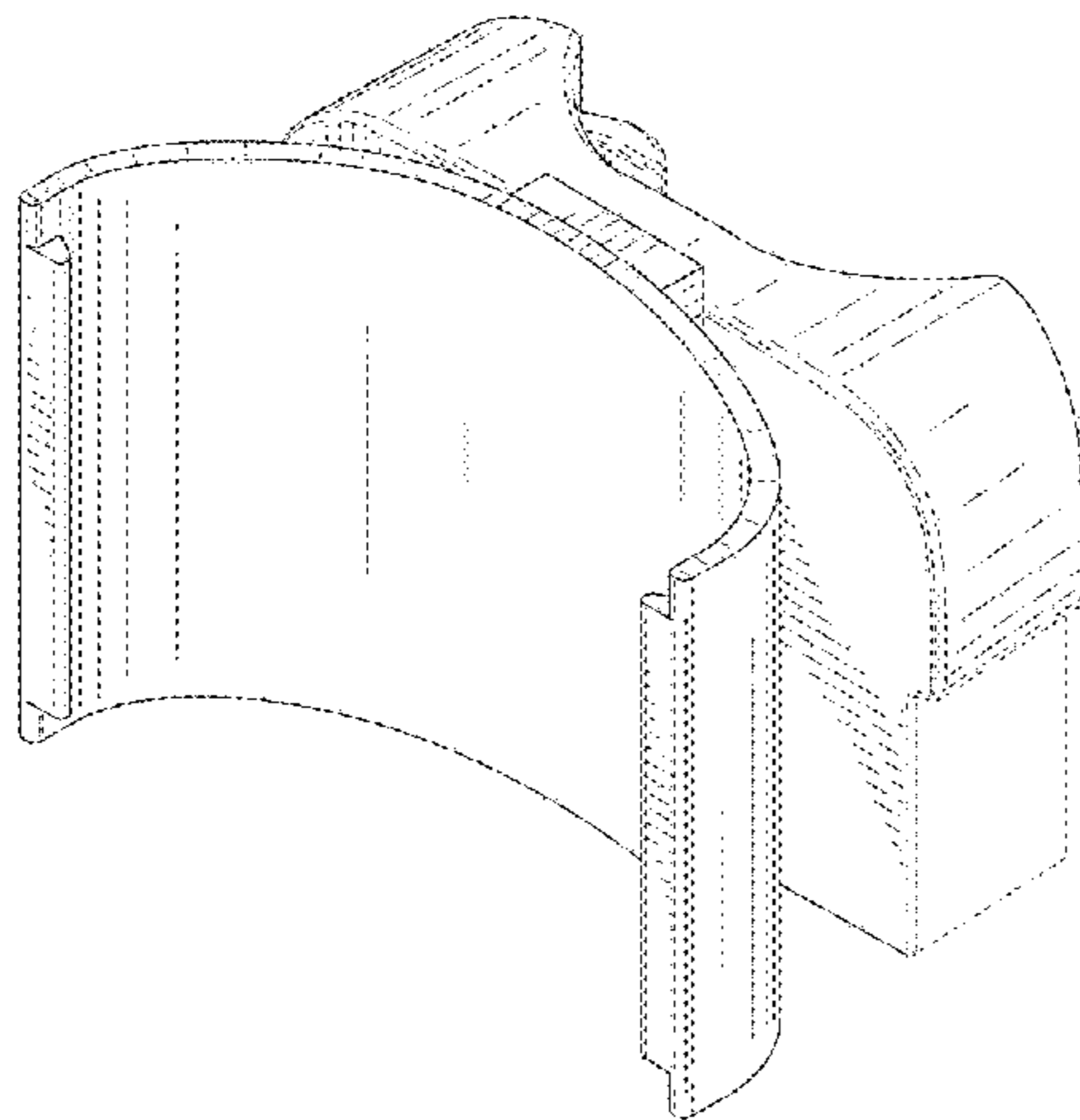
The broken lines adjacent shaded areas represent bounds of the claimed design and illustrate features of the fastener that form no part of the claimed design. All other broken lines illustrate features of the fastener that form no part of the claimed design.

OTHER PUBLICATIONS

The broken lines showing of the call bell device in FIGS. 8-15 and the bed rail in FIG. 15 illustrates the environment of the claimed design and forms no part thereof. The broken lines in the drawings illustrate portions of the fastener and form no part of the claimed design.

Curbell Medical, Nurse Call and Healthcare Bed Accessories, https://www.medline.com/media/catalog/Docs/MKT/NURSE_CALL_

1 Claim, 10 Drawing Sheets



(58) **Field of Classification Search**

CPC . F16B 2/246; D06F 55/00; A41B 3/08; A41F 15/02; B42F 1/006; B42F 1/08; B42F 9/001; B65B 51/04; B65B 51/043; B65D 33/1675

See application file for complete search history.

D945,256 S * 3/2022 Kousik D8/396
 2005/0051678 A1 * 3/2005 Modesto A63H 3/50
 248/121
 2013/0016924 A1 * 1/2013 Helmsderfer B65B 31/048
 383/68

(56) **References Cited**

U.S. PATENT DOCUMENTS

D233,385 S * 10/1974 Friedman D8/367
 D241,314 S * 9/1976 Hug D11/27
 D269,155 S * 5/1983 Rose D8/356
 5,331,725 A * 7/1994 Chou F16B 2/22
 24/339
 5,462,212 A * 10/1995 Hertel, Jr. B60N 3/14
 224/570
 D375,453 S * 11/1996 Fleck D8/395
 D410,379 S * 6/1999 Hsiu-Chun D8/395
 D423,305 S * 4/2000 Foster D8/395
 6,754,937 B1 * 6/2004 Martin B42F 1/006
 24/351
 D506,385 S * 6/2005 Brown D8/394
 D509,726 S * 9/2005 Diller D8/395
 D510,822 S * 10/2005 Spiers D6/682.3
 D516,904 S * 3/2006 Kendrick D8/395
 D520,739 S * 5/2006 Tsai D3/218
 D550,550 S * 9/2007 Lee D8/395
 D553,485 S * 10/2007 Hall D8/396
 D578,383 S * 10/2008 Adams D8/367
 D578,869 S * 10/2008 Fernandez D8/354
 D587,563 S * 3/2009 Fleischman D8/396
 D619,452 S * 7/2010 Ollila D8/396
 D623,405 S * 9/2010 Nelson D3/218
 D632,554 S * 2/2011 Grzyb D8/395
 D675,086 S * 1/2013 Gary D8/395
 D685,570 S * 7/2013 Ito D3/218
 D714,681 S * 10/2014 Katz D11/215
 D724,345 S * 3/2015 Lim D8/373
 D732,009 S * 6/2015 Bak D8/396
 D745,382 S * 12/2015 Faria D8/396
 D753,987 S * 4/2016 Bernstein D8/367
 D787,173 S * 5/2017 Parnell A61H 3/0244
 D3/10
 D826,023 S * 8/2018 Chun D8/72
 D855,408 S * 8/2019 Tsai D7/600.1
 D873,126 S * 1/2020 Tang D8/395
 D877,485 S * 3/2020 Rampersaud D3/10
 D889,254 S * 7/2020 Copete Vilella D8/394
 D895,775 S * 9/2020 Horning D23/265
 D898,551 S * 10/2020 Landgren D8/354
 D899,223 S * 10/2020 Landgren D8/354
 D902,705 S * 11/2020 Kwon D8/395
 10,925,383 B2 * 2/2021 Murakami A45D 40/00
 D935,698 S * 11/2021 Berdinka D28/73
 D937,020 S * 11/2021 Kaicker D6/682.3
 D939,333 S * 12/2021 Kuhl D8/394
 D939,334 S * 12/2021 Jiao D8/394

FOREIGN PATENT DOCUMENTS

CN 306467602 * 4/2021
 EM 005808706-0001 * 10/2018
 GB 1012349 * 8/1983
 GB 1028523 * 2/1986
 GB 4015631 * 9/2010

OTHER PUBLICATIONS

HDSupply, Anacom Medtek™ Pillow Speaker Holder, Part 758361, <https://hdsupplysolutions.com/p/anacom-medtek-pillow-speaker-holder-p758361> [retrieved from Internet on Dec. 10, 2020], 1pg.
 Crest Healthcare, Speaker Keeper Pillow Speaker Holder, Universal, Item No. 112712, <https://www.cresthealthcare.com/crestpillowspeakers/speaker-keeper-pillow-speaker-holder-universal-113712> [retrieved from Internet on Dec. 10, 2020], 3pgs.
 Curbell Medical, Pillow Speaker Holders, <https://www.curbellmedical.com/pillow-speaker-holders/>, [retrieved from Internet Dec. 10, 2020], 5pgs.
 Curbell Medical, Nurse Call and Healthcare Bed Accessories, https://hzq.141.myflpupload.com/wp-content/uploads/pdfs/nurse_call/map466e_nurse_call_and_bed_products_catalog.pdf, © 2020 Curbell Medical Products, Inc. MAP466E [retrieved from Internet on Dec. 10, 2020], 43pgs.
 Curbell Medical Speaker Pillow—GEN4 Pillow Speaker Holder—MSC-4023-001, https://www.graylinemedical.com/products/curbell-medical-speaker-pillow-gen4-pillow-speaker-hol5er-msc-4023-001?variant=31850985095225&gclid=CjwKCAiAq8f-BRBtEiwAGr3DgcWMFPw6_-d7WMdeszpugHuBluo7kuuDWiWV9_xp6pg8GUMBOadVBoCm2kQAvD_BwE [retrieved from Internet Dec. 10, 2020], 5pgs.
 Bec Integrated Solutions, Call Cord Holder, 1" Diameter, Model: 114012, https://www.becaudio.com/Shop/index.php?main_page=product_info&products_id=19201 [retrieved from Internet Dec. 10, 2020], 2pgs.
 Hill-Rom Services, Inc., Sep. 13, 2017, Centrella™ Smart + Bed Product Reference Guide, <https://static1.squarespace.com/static/5b9671ccda02bc25fc073017/t/5c61a5888165f5e112b6c46c/1549903248893/Centrella+Bed+Reference+Guide.pdf> [retrieved from Internet on Dec. 10, 2020], 30pgs.
 Hill-Rom P7932B06 Hospital Bed Centrella Pendant Controller, eBay <https://www.ebay.com/itm/8-Hill-Rom-P7932B06-Hospital-Bed-Centrella-Pendant-Controller-/293795086791> [retrieved from Internet Dec. 10, 2020], 2pgs.
 eBay, S-1600.jpg (1600×1200) <https://i.ebayimg.com/images/g/tU8AAOSwwL5fkVCm/s-11600.jpg> [retrieved from Internet Dec. 10, 2020], 1pg.

* cited by examiner

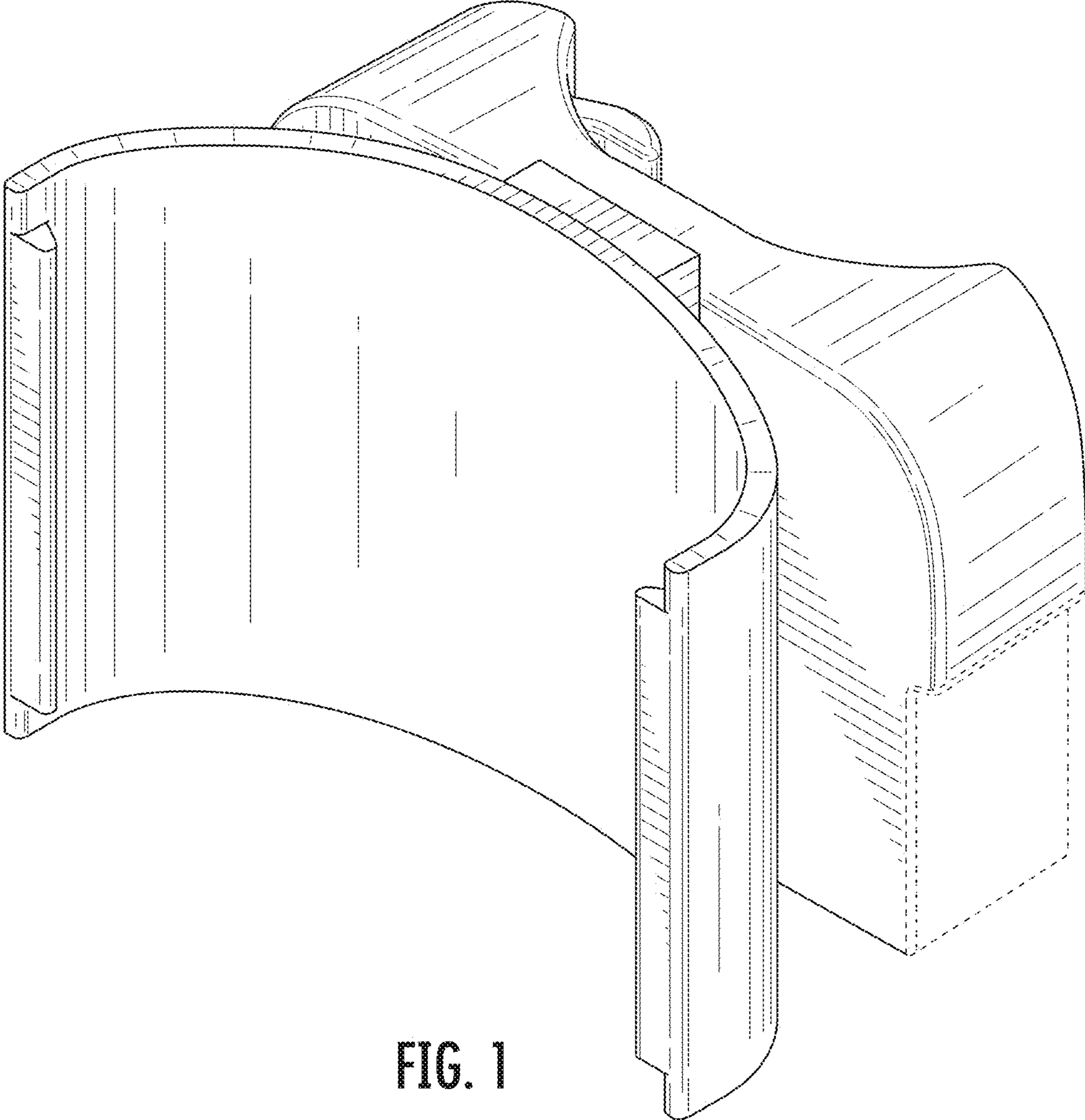


FIG. 1

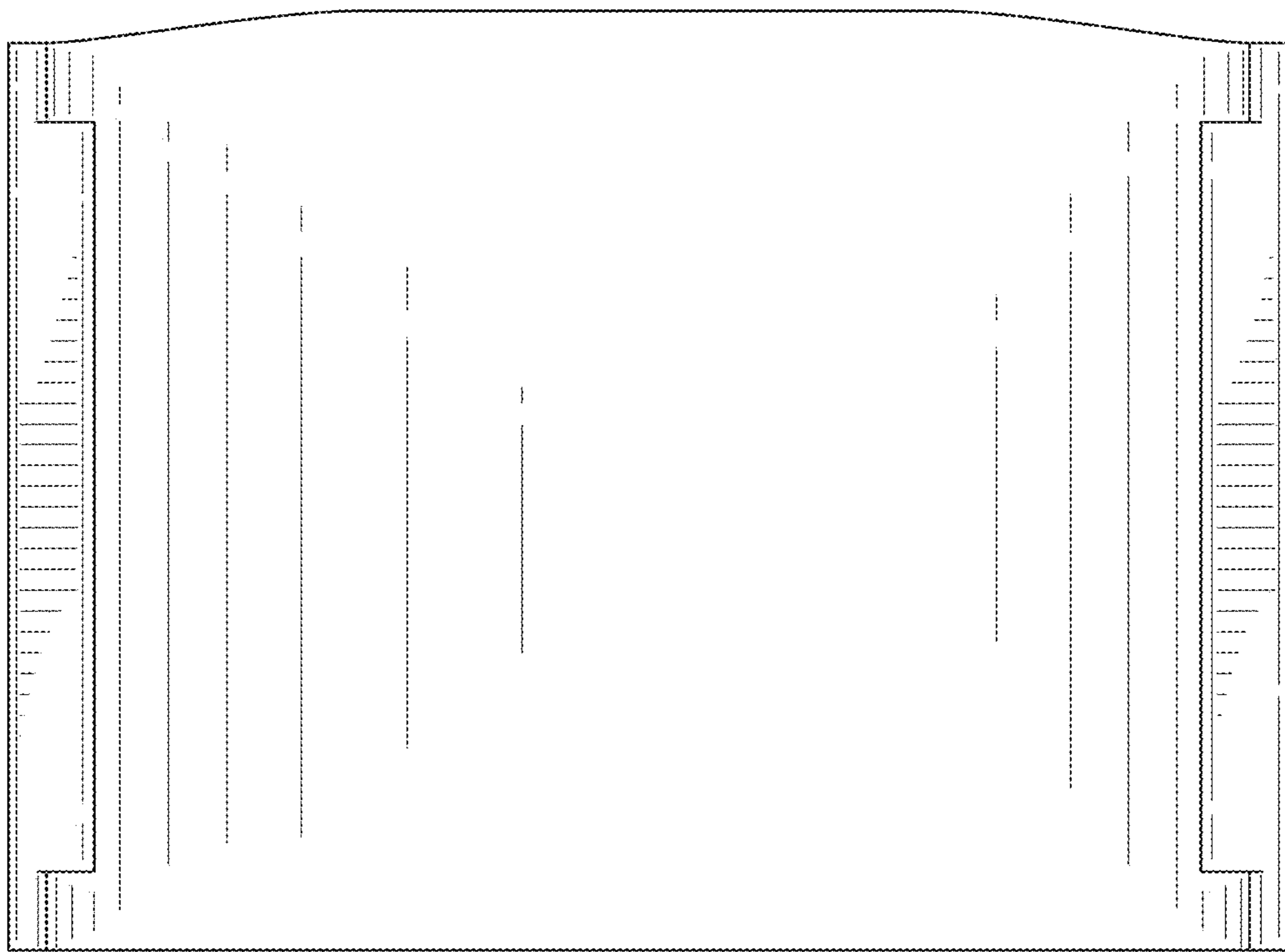


FIG. 2

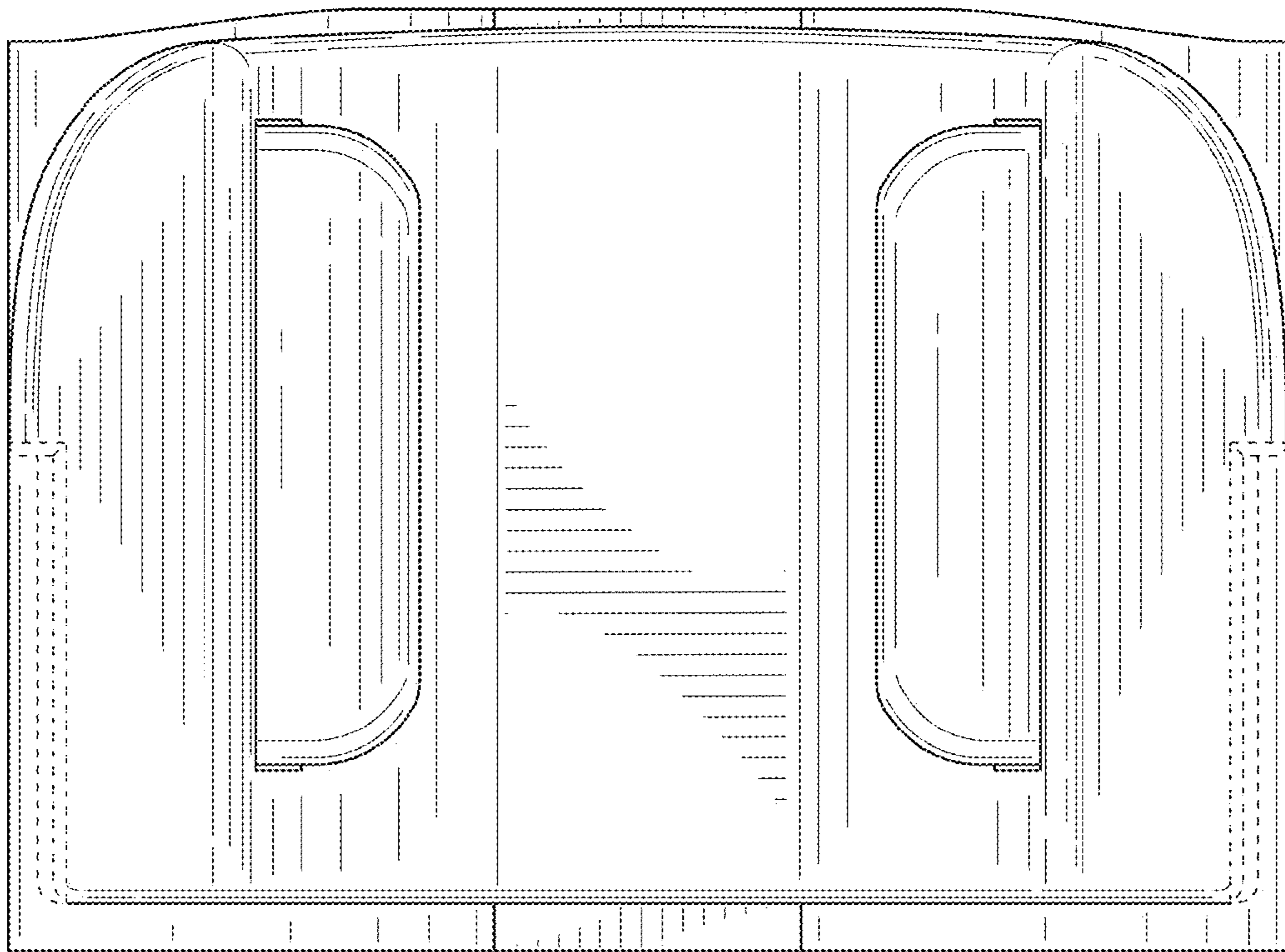


FIG. 3

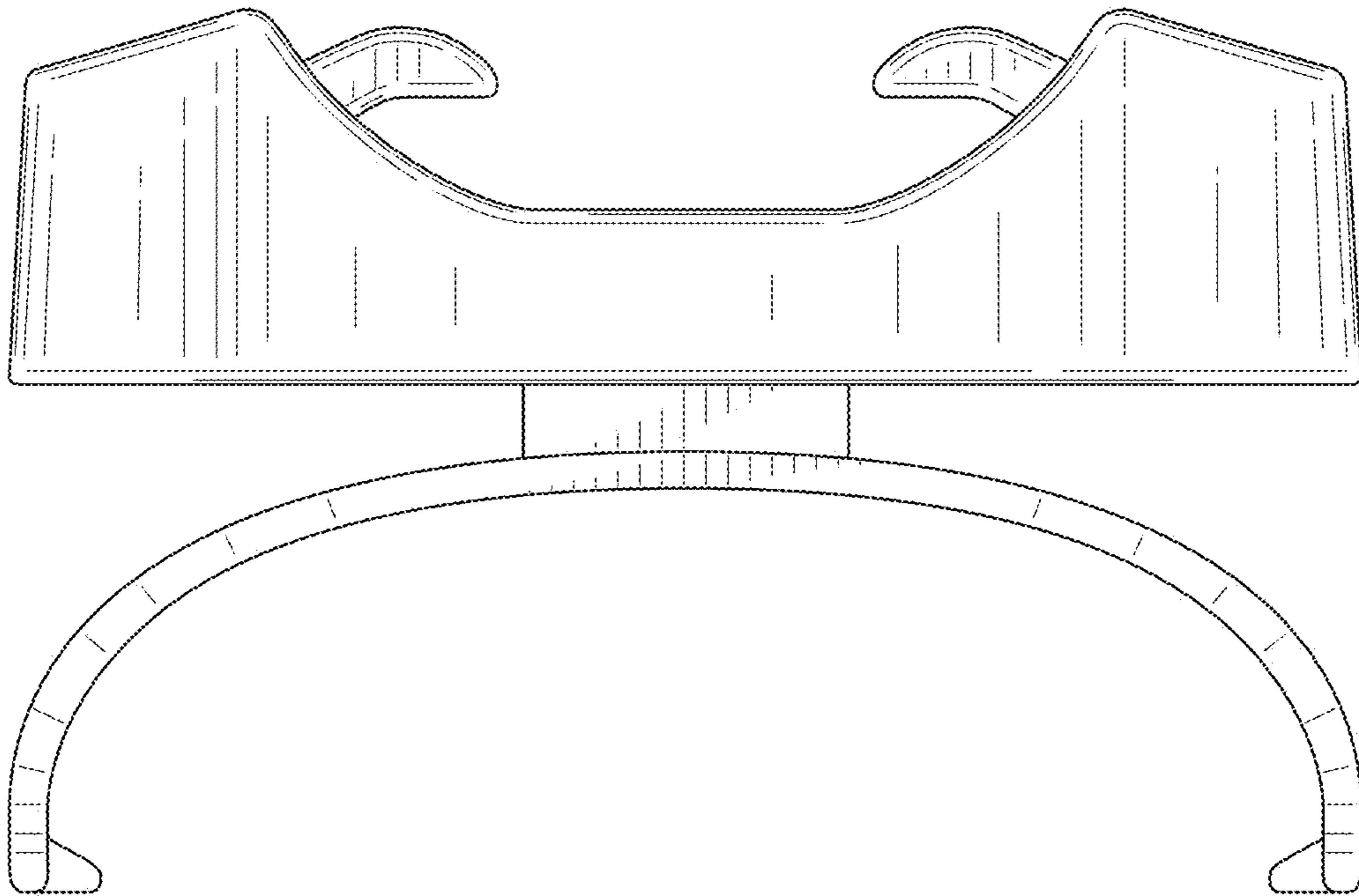


FIG. 4

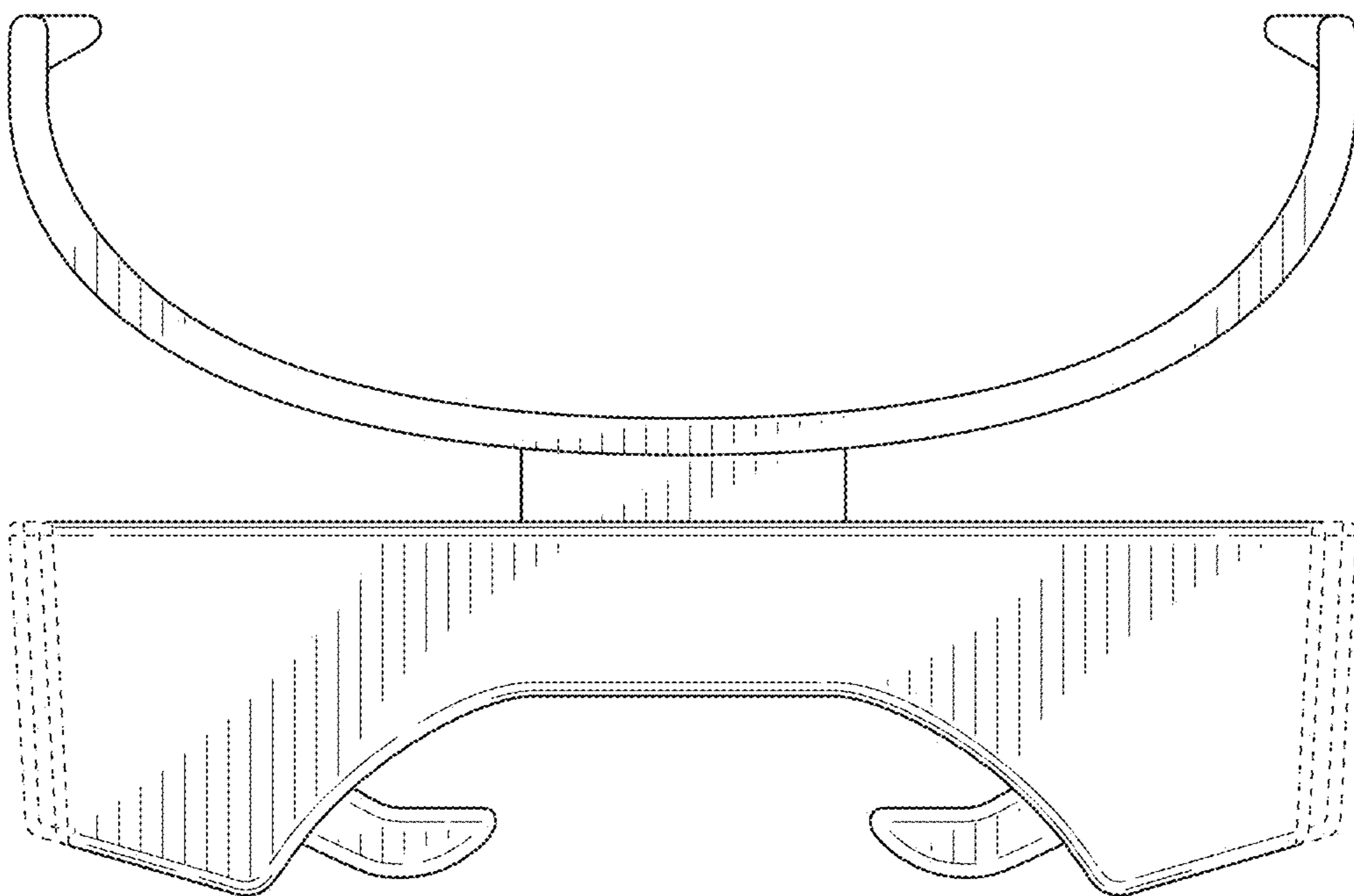


FIG. 5

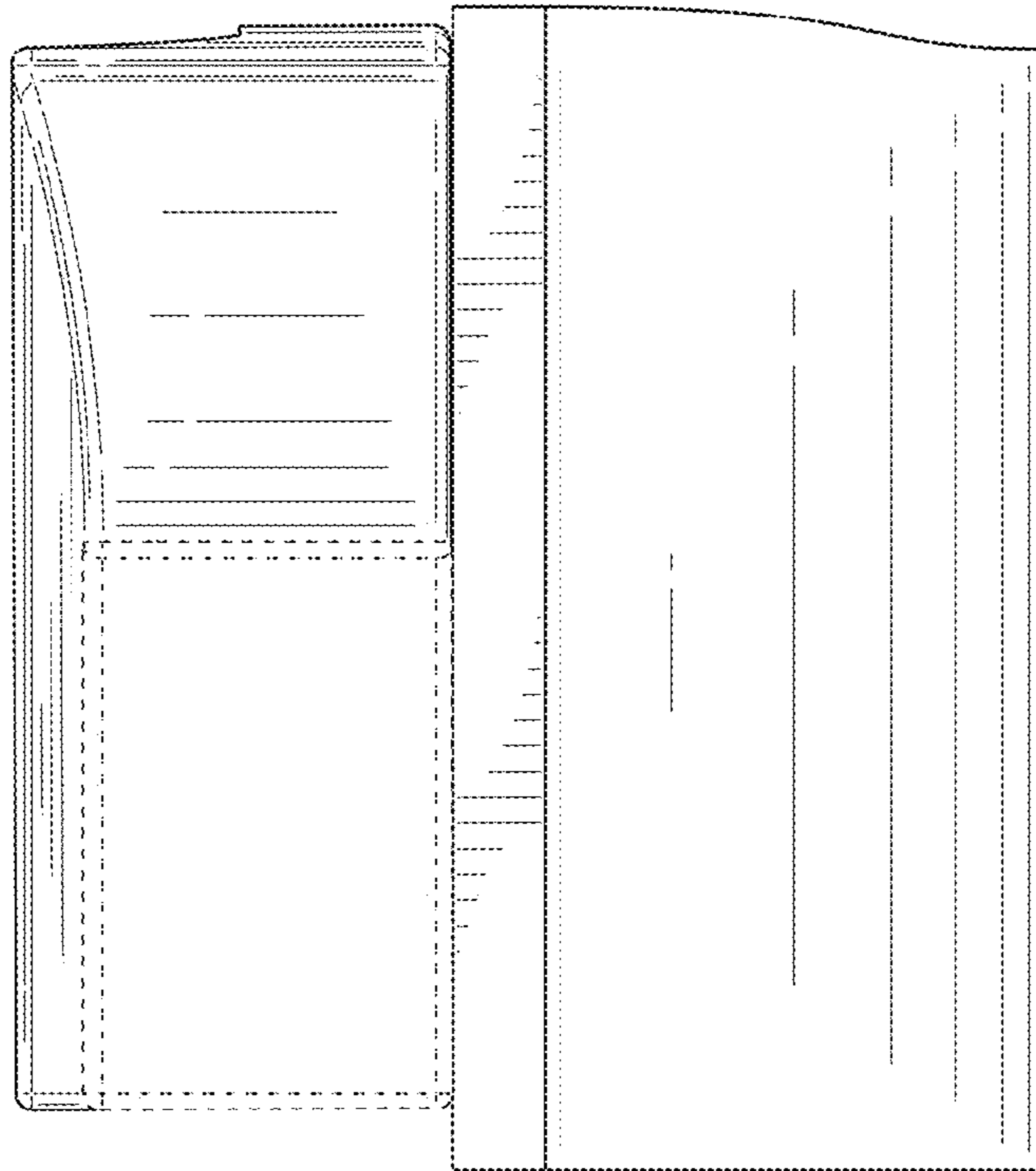


FIG. 6

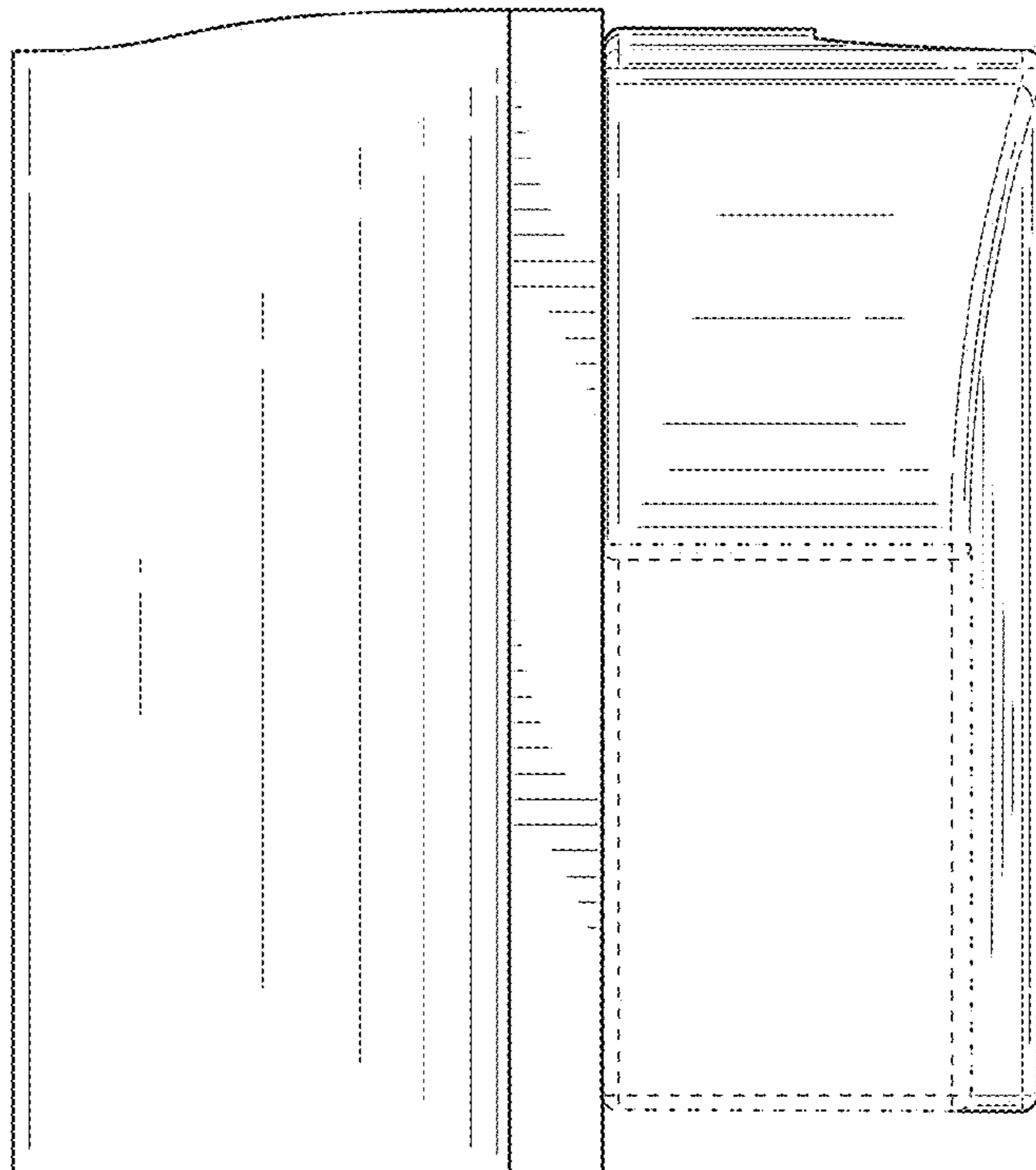


FIG. 7

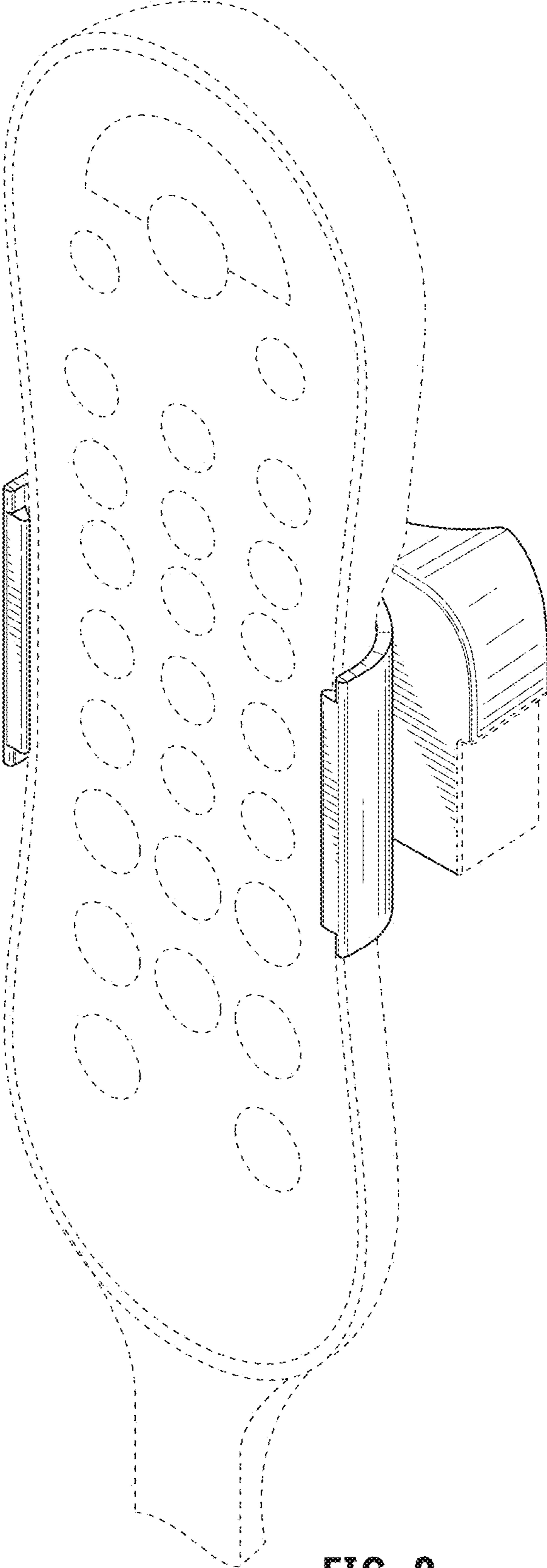


FIG. 8

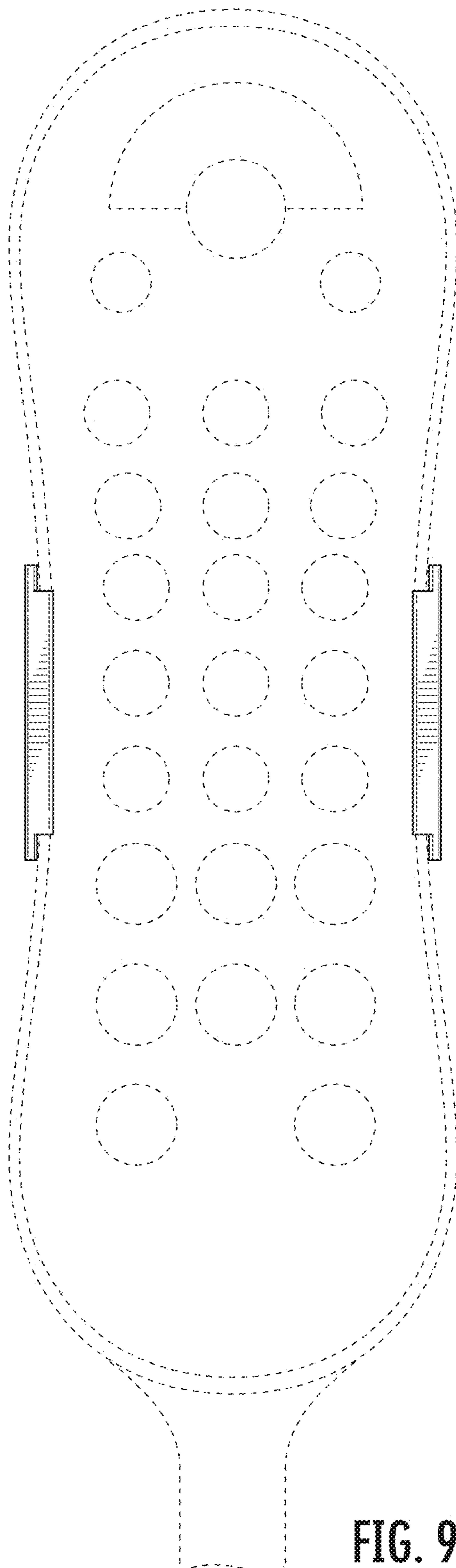


FIG. 9

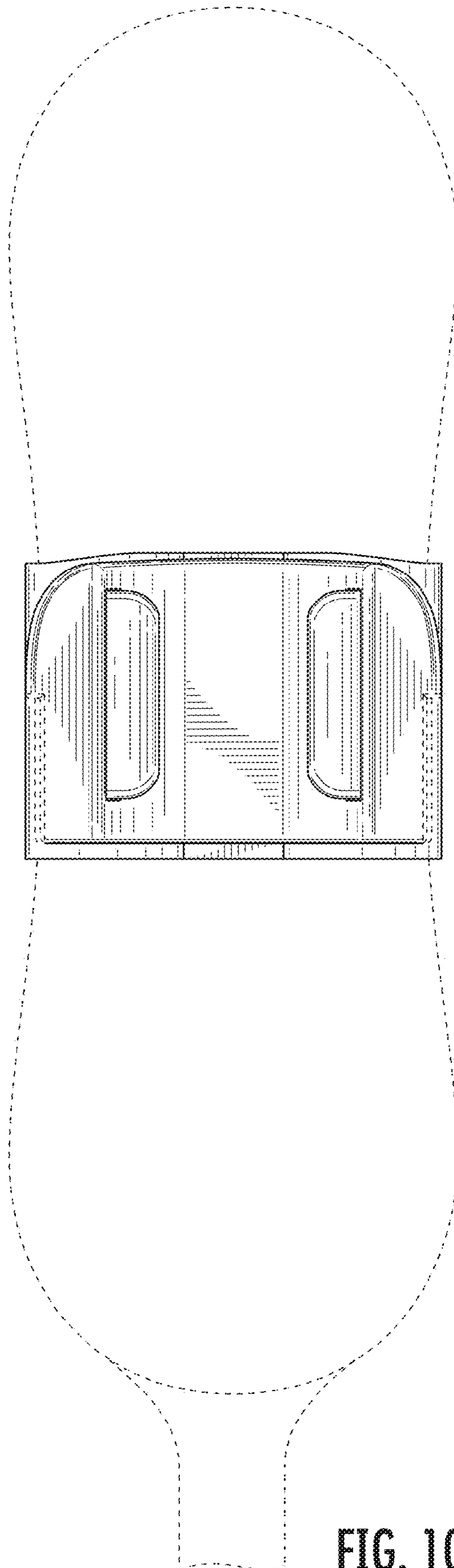


FIG. 10

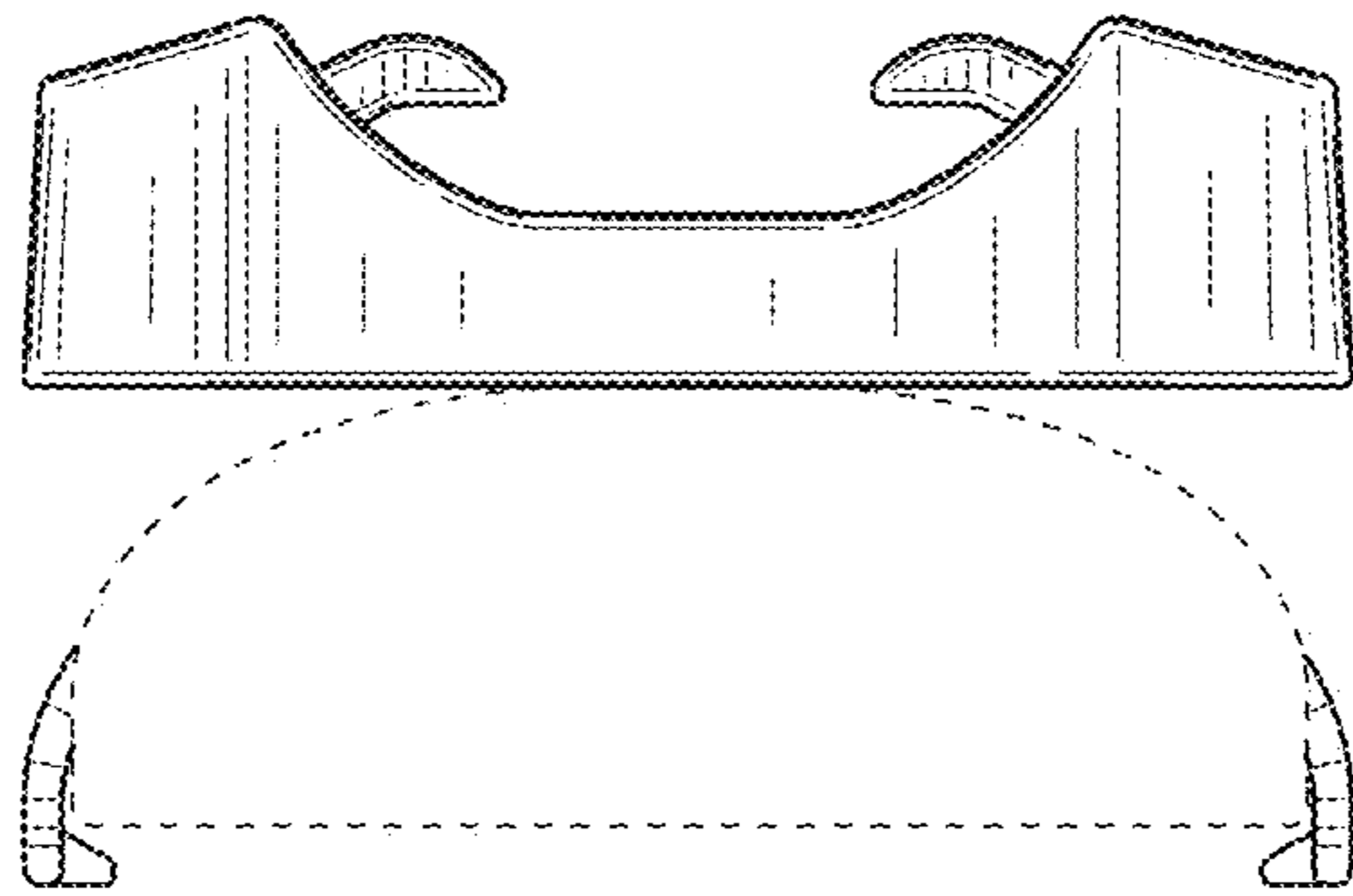


FIG. 11

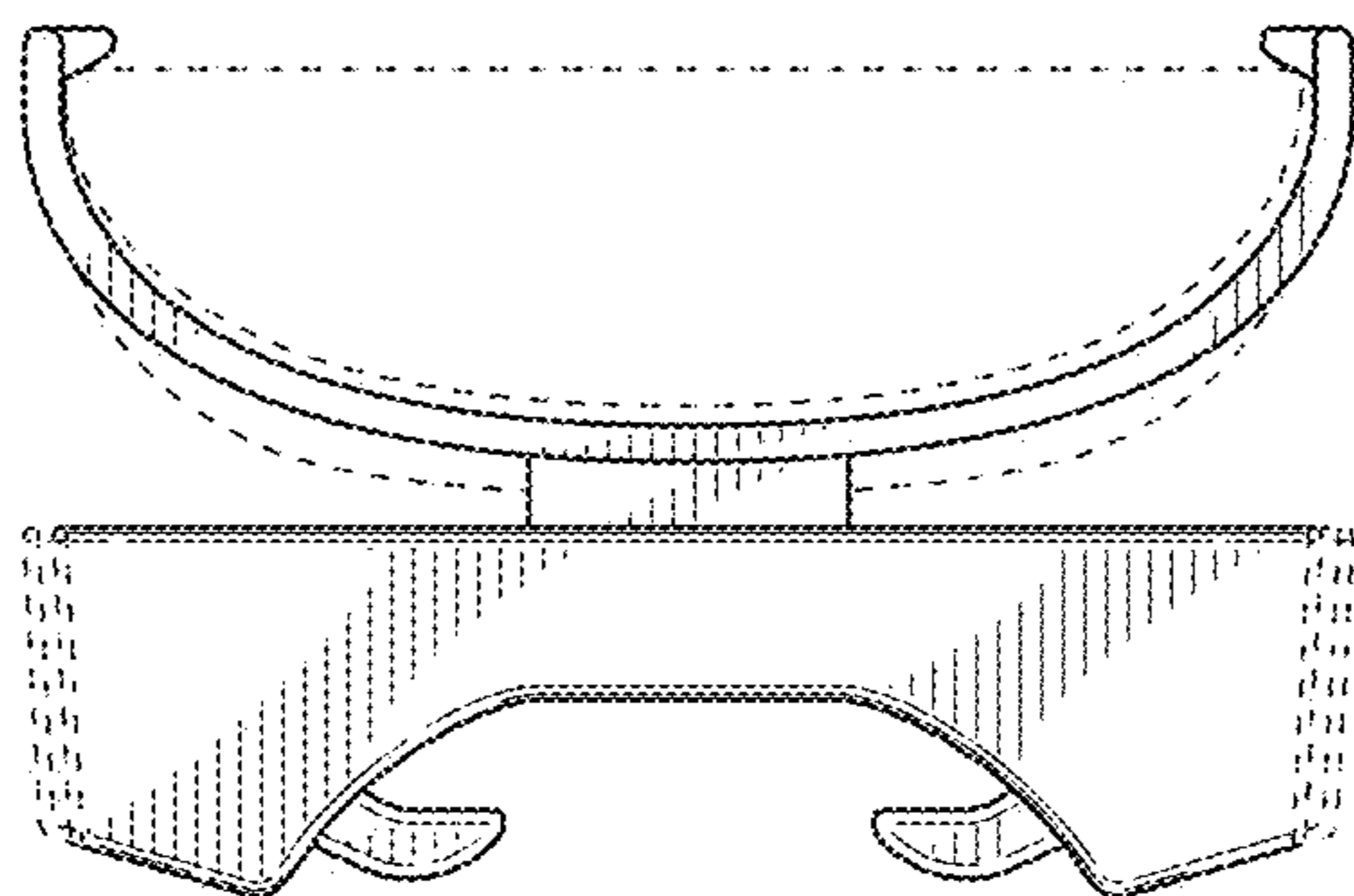
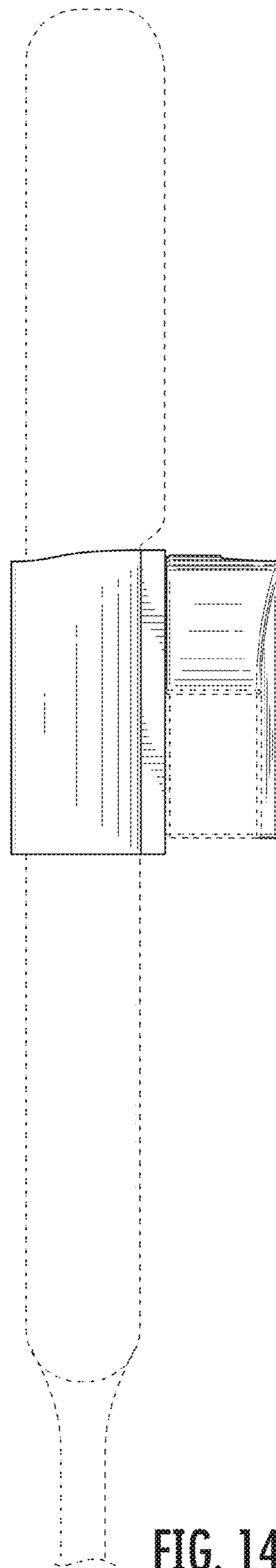
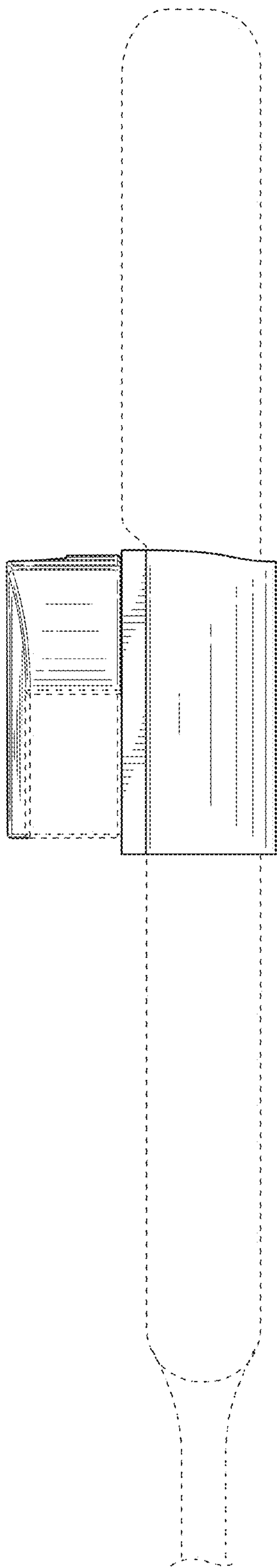


FIG. 12



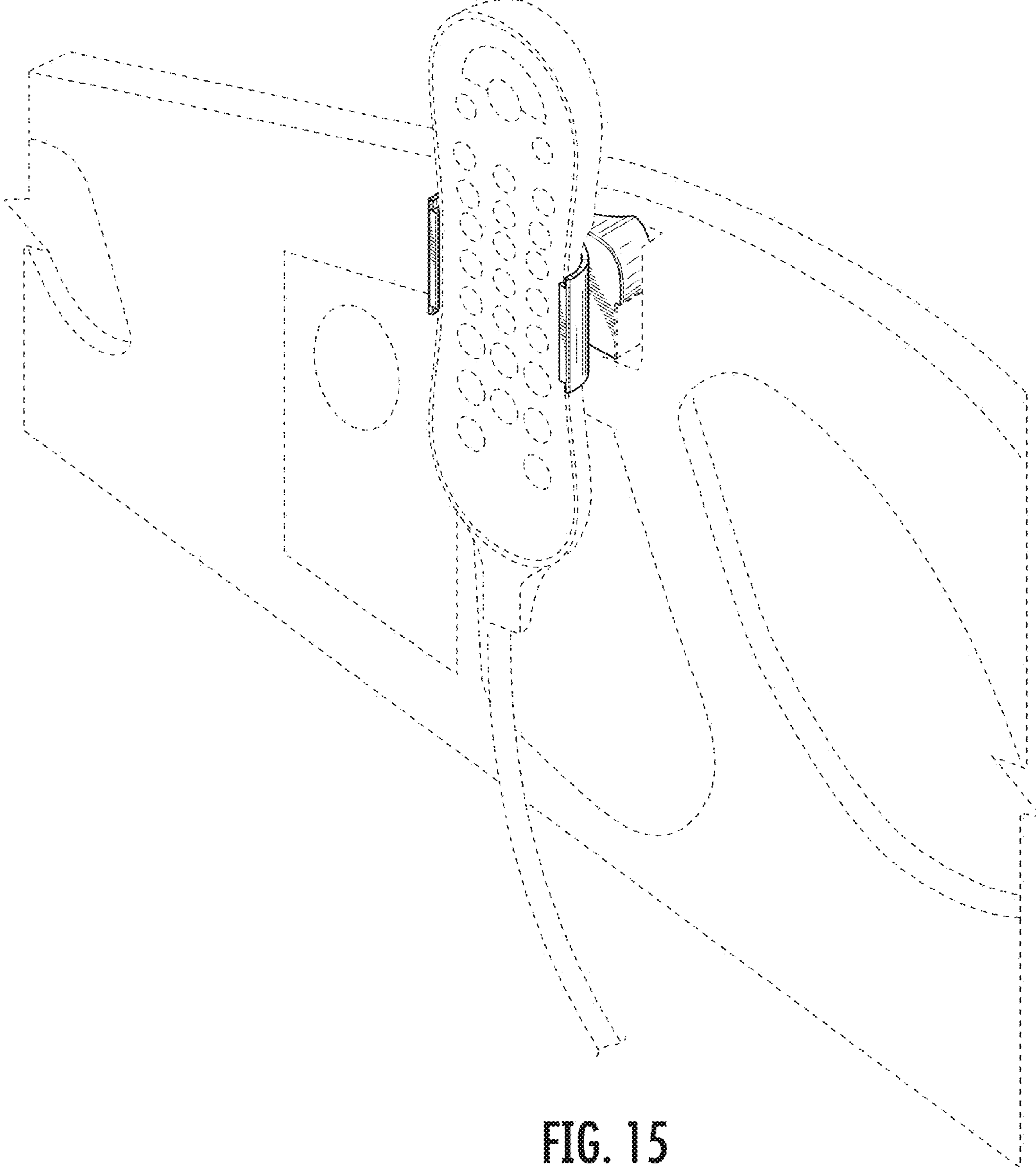


FIG. 15