

US00D966879S

(12) **United States Design Patent**  
**Limber**

(10) **Patent No.:** **US D966,879 S**

(45) **Date of Patent:** **\*\* Oct. 18, 2022**

- (54) **MICRO-CLIP ARTICLE**
- (71) Applicant: **Jamie Limber**, Phoenix, AZ (US)
- (72) Inventor: **Jamie Limber**, Phoenix, AZ (US)
- (73) Assignee: **Simple Living Solutions, LLC**,  
Scottsdale, AZ (US)
- (\*\*) Term: **15 Years**
- (21) Appl. No.: **29/748,015**
- (22) Filed: **Aug. 26, 2020**
- (51) **LOC (13) Cl.** ..... **08-08**
- (52) **U.S. Cl.**  
USPC ..... **D8/394**
- (58) **Field of Classification Search**  
USPC ..... D8/70-72, 354, 356, 371-377, 380-381,  
D8/394-398  
CPC ..... F21V 21/088; F21V 21/0824; F21W  
2121/00  
See application file for complete search history.

- D799,314 S \* 10/2017 Adams, IV ..... D8/395
  - D824,246 S \* 7/2018 Ming ..... D8/382
  - D835,542 S \* 12/2018 Lybarger ..... D11/78.1
  - D856,791 S \* 8/2019 Limber ..... D8/395
  - D874,914 S \* 2/2020 Felt ..... D8/395
- (Continued)

**OTHER PUBLICATIONS**

“Adams Christmas Mighty Light Clip”, Nov. 28, 2016, Amazon.com, site visited Nov. 9, 2021: <https://www.amazon.com/Adams-Christmas-5150-99-1040-Mighty-Light/dp/B07G2SD6LD> (Year: 2016).\*

(Continued)

*Primary Examiner* — Jack Reickel  
*Assistant Examiner* — Michael A Kervin  
(74) *Attorney, Agent, or Firm* — Michelle L. Gross, P.C.

(57) **CLAIM**

The ornamental design for a micro-clip article, as shown.

**DESCRIPTION**

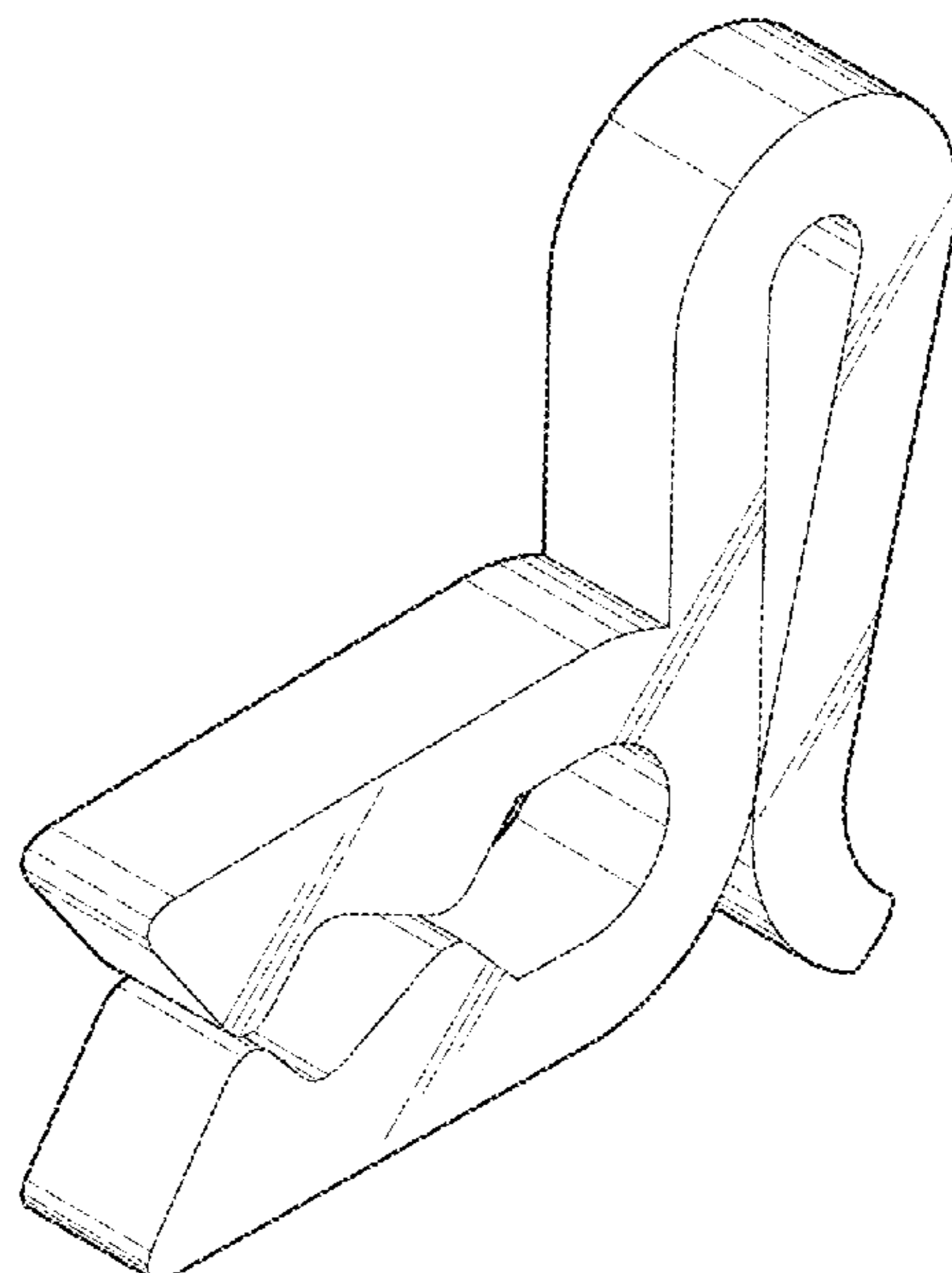
FIG. 1 is a perspective view of the micro-clip article showing a top, a front and a right side of my new design; FIG. 2 is a perspective view of the micro-clip article showing a bottom, a rear and a left side of my new design; FIG. 3 is the micro-clip article showing the front view thereof; FIG. 4 is the micro-clip article showing the rear view thereof; FIG. 5 is the micro-clip article showing the right-side view thereof; FIG. 6 is the micro-clip article showing the left-side view thereof; FIG. 7 is the micro-clip article showing the top view thereof; and, FIG. 8 is the micro-clip article showing the bottom view thereof.

**1 Claim, 3 Drawing Sheets**

(56) **References Cited**

**U.S. PATENT DOCUMENTS**

- D319,575 S \* 9/1991 Young ..... D8/395
- D376,535 S \* 12/1996 Gary ..... D26/138
- D424,418 S \* 5/2000 Gary ..... D26/138
- D427,510 S \* 7/2000 Gary ..... D26/138
- D494,849 S \* 8/2004 Jones ..... D8/395
- D510,018 S \* 9/2005 Tognolini ..... D8/395
- D644,504 S \* 9/2011 Rieder ..... D8/395
- D663,357 S \* 7/2012 Bookhamer ..... D19/81
- D671,826 S \* 12/2012 Adams, IV ..... D8/395
- D675,509 S \* 2/2013 Gary ..... D8/395
- D696,105 S \* 12/2013 Devilliers ..... D8/395
- D756,764 S \* 5/2016 Limber ..... D8/395
- D770,887 S \* 11/2016 Sudol ..... D8/395
- D781,571 S \* 3/2017 Moerer ..... D3/215
- D787,925 S \* 5/2017 Moerer ..... D8/394



(56)

**References Cited**

U.S. PATENT DOCUMENTS

D909,194 S \* 2/2021 Felt ..... D8/395  
D914,271 S \* 3/2021 Wang ..... D26/138

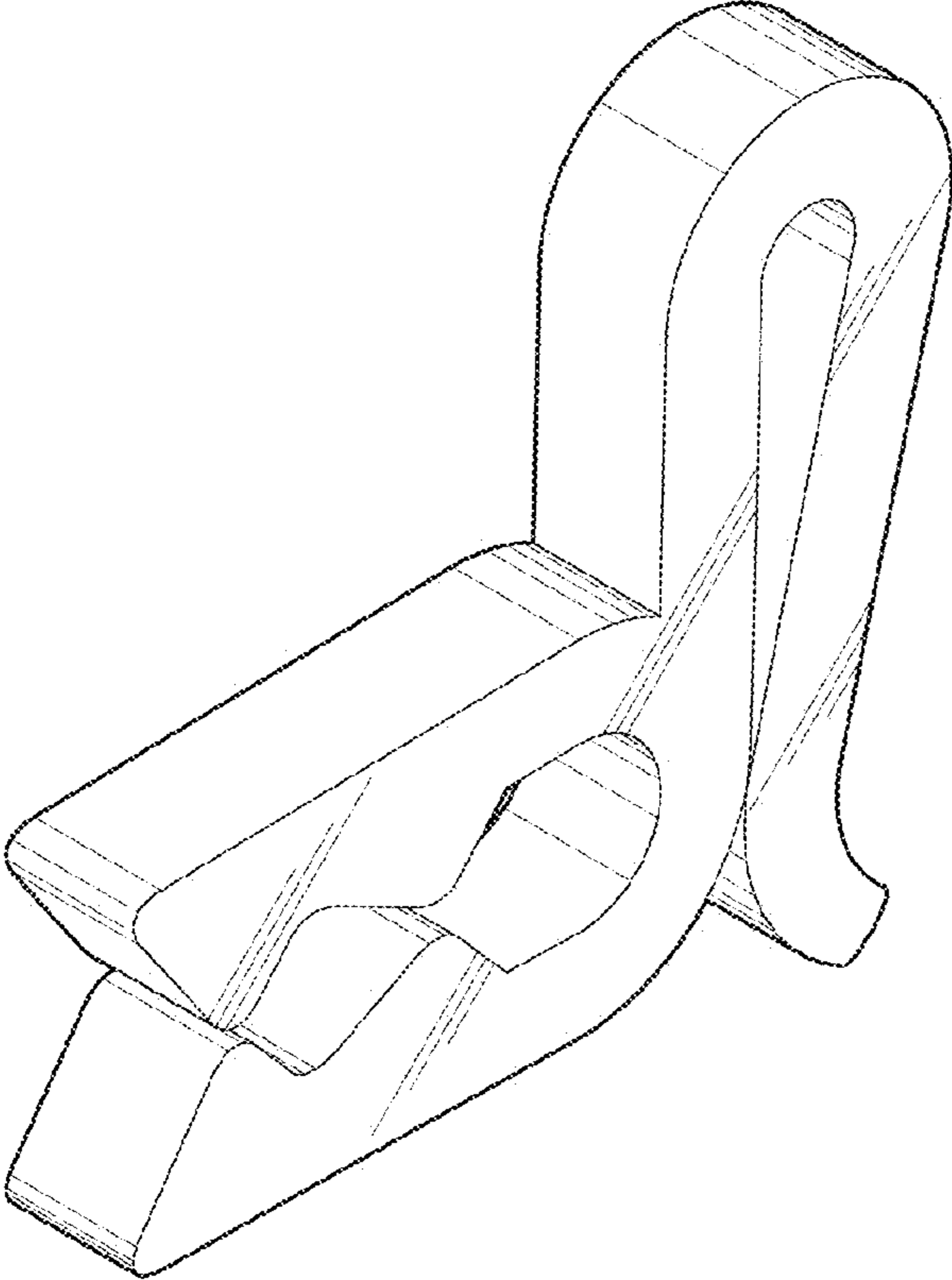
OTHER PUBLICATIONS

“Lowe’s—Holiday Living Shingle Clips”, Nov. 19, 2019, Lowe’s.com, site visited Nov. 9, 2021: <https://www.lowes.com/pd/Holiday-Living-100-Pack-Plastic-Roof-Shingle-Clips/1001076044> (Year: 2019).\*

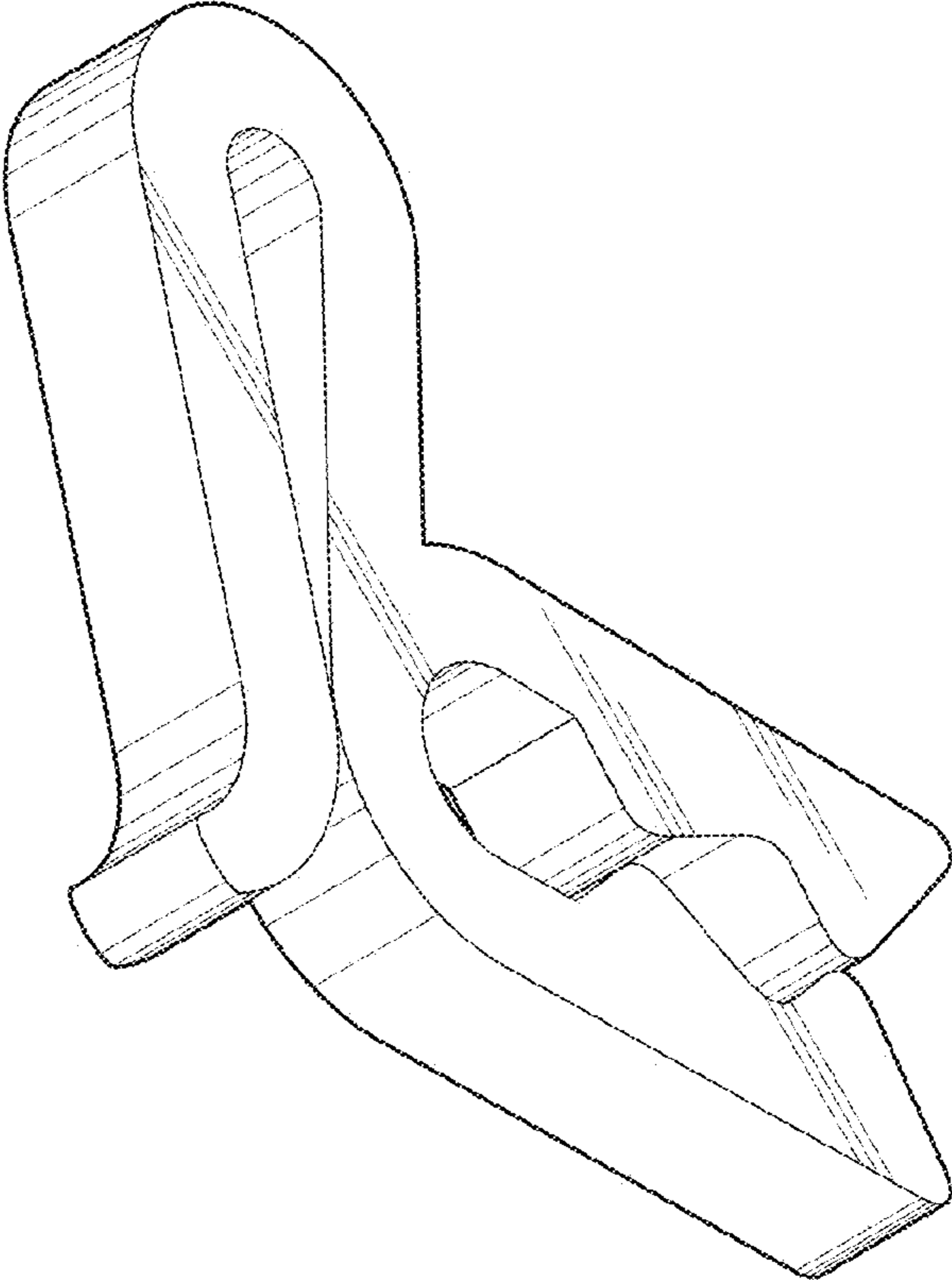
“Magnetic Christmas Light Clips”, Nov. 27, 2019, Amazon.com, site visited Nov. 9, 2021: <https://www.amazon.com/Magnetic-Christmas-Outdoor-Lighting-Pieces%EF%BC%8C/dp/B08FNHJSRD> (Year: 2019).\*

“Amazon—Holiday Living Shingle Clips”, Jan. 2, 2020, Amazon.com, site visited Nov. 9, 2021: <https://www.amazon.com/Holiday-Living-100-Pack-Plastic-Shingle/dp/B083D96VPR> (Year: 2020).\*

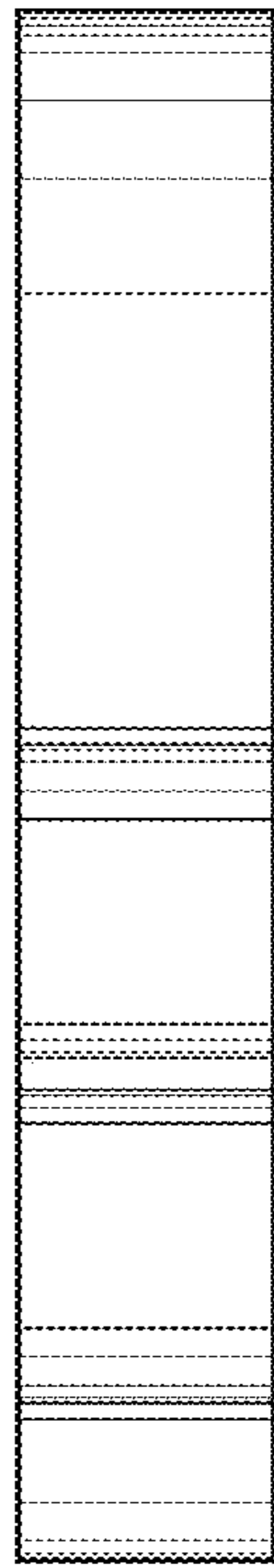
\* cited by examiner



**FIG. 1**



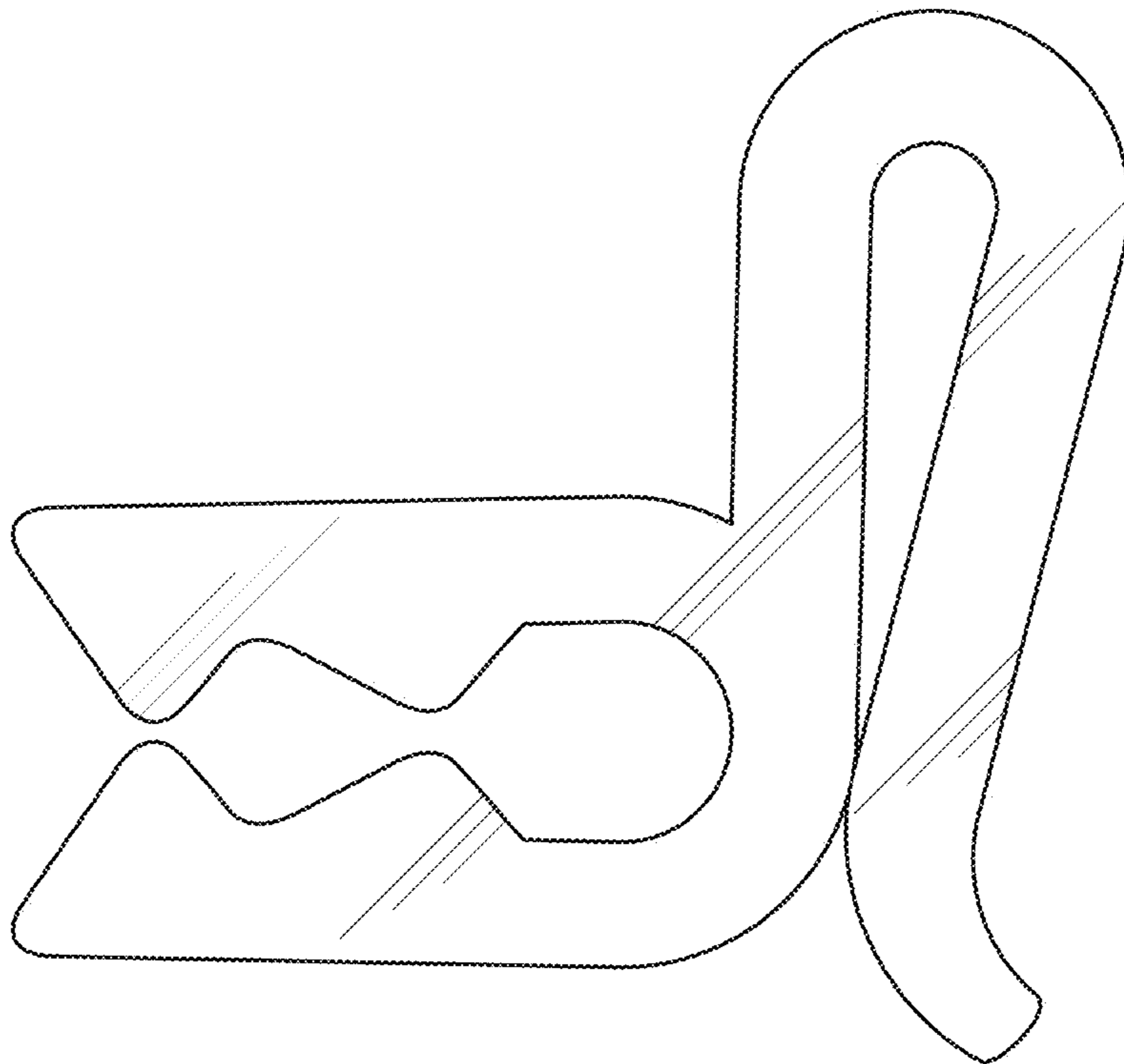
**FIG. 2**



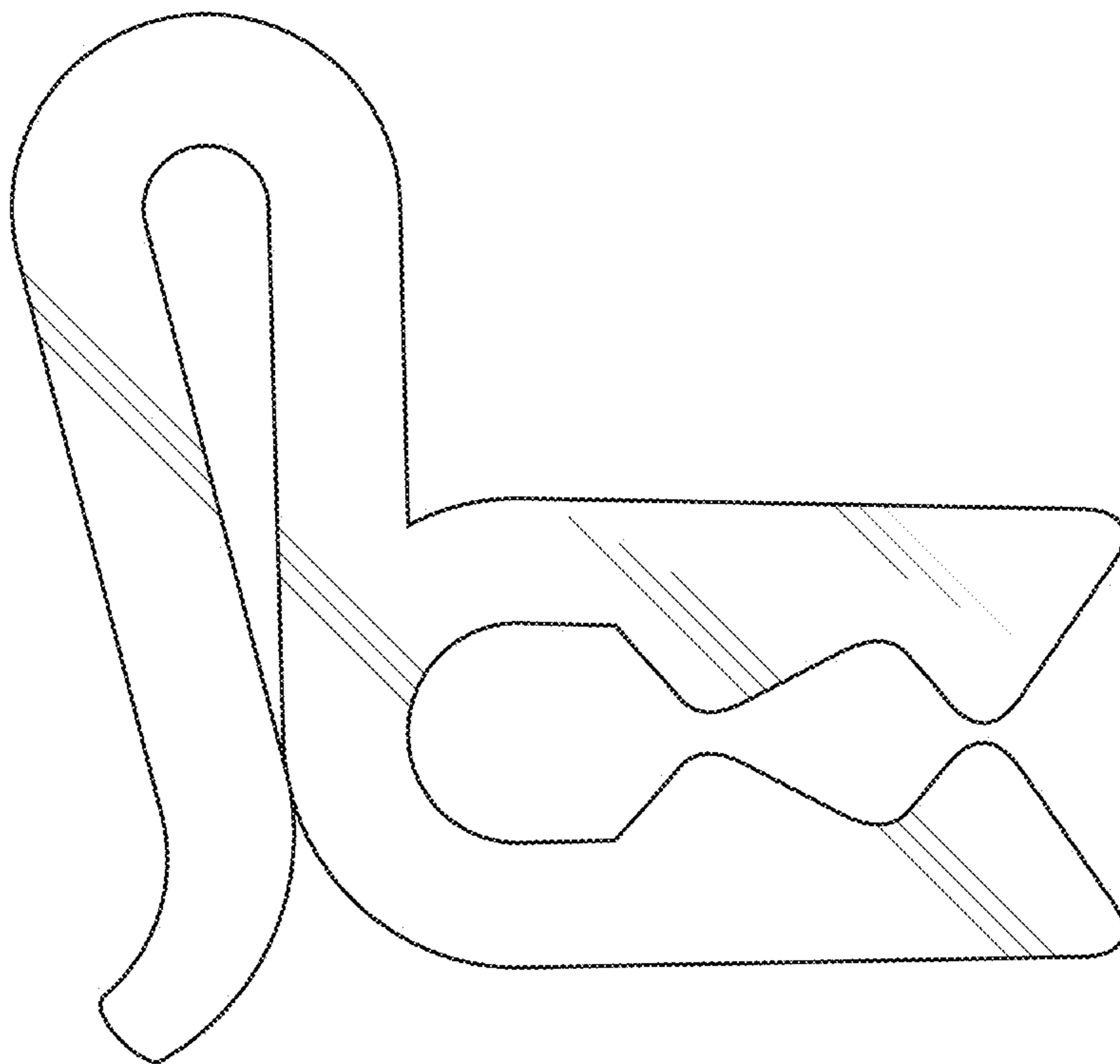
**FIG. 3**



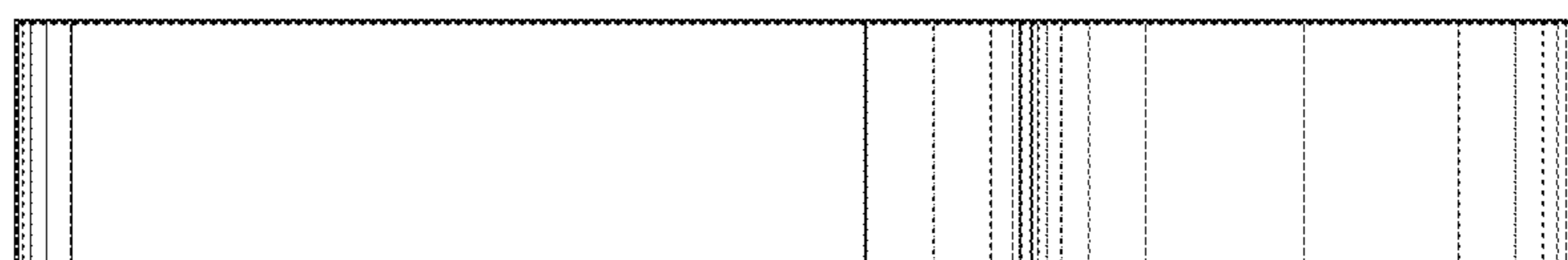
**FIG. 4**



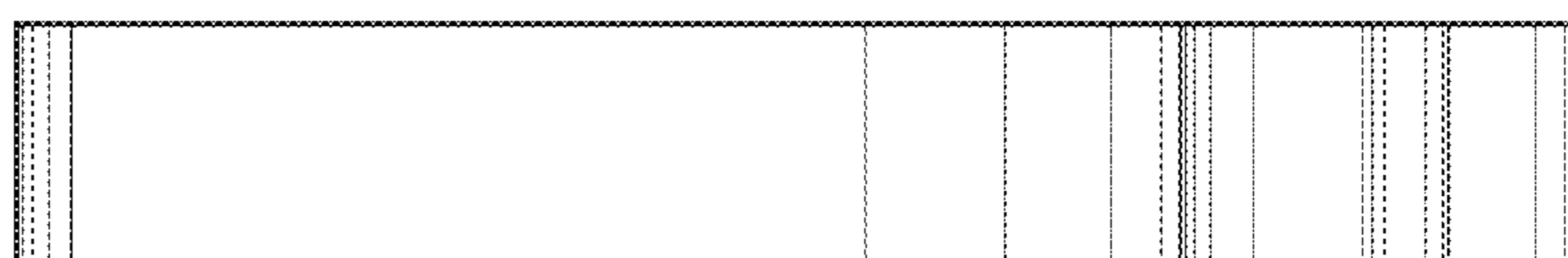
**FIG. 5**



**FIG. 6**



**FIG. 7**



**FIG. 8**