



US00D966878S

(12) **United States Design Patent** (10) **Patent No.:** **US D966,878 S**
Comalander (45) **Date of Patent:** **** Oct. 18, 2022**

(54) **WEDGE BLOCK HAVING ROLLER BEARING FOR A PIPE SUPPORT SYSTEM**

D755,043 S * 5/2016 Bailey D8/394
D758,834 S * 6/2016 Tally D8/380
D761,096 S * 7/2016 Pace D8/382
D761,641 S * 7/2016 Pace D8/382

(71) Applicant: **Comalander Fabrication and Services, LLC**, Beaumont, TX (US)

(Continued)

(72) Inventor: **Christopher R. Comalander**, Beaumont, TX (US)

OTHER PUBLICATIONS

(73) Assignee: **Comalander Fabrication and Services, LLC**, Beaumont, TX (US)

Screen Shot of Grainger Pipe Support Block; Accessed Mar. 2019; https://www.grainger.com/product/15E509?cm_sp=Product_Details--Products_Based_on_Your_Search--IDPPLARECS&cm_vc=IDPPLARECS.

(Continued)

(**) Term: **15 Years**

Primary Examiner — Karen S Acker
Assistant Examiner — Elizabeth S Ko

(21) Appl. No.: **29/688,117**

(74) *Attorney, Agent, or Firm* — Peter L. Brewer; Thrive IP

(22) Filed: **Apr. 18, 2019**

(51) **LOC (13) Cl.** **08-05**

(52) **U.S. Cl.**
USPC **D8/380**

(57) **CLAIM**

(58) **Field of Classification Search**
USPC ... D8/349, 354–355, 382–383, 394, 380, 74, D8/346; D32/25, 67
CPC ... F16L 3/06; F16L 3/1025; F16L 3/22; F16L 3/223; F16L 3/02; F16L 1/0246; F16L 1/10; F16L 3/00; F16L 3/1218; F16L 3/26
See application file for complete search history.

The ornamental design for a wedge block having roller bearing for a pipe support system, as shown and described.

DESCRIPTION

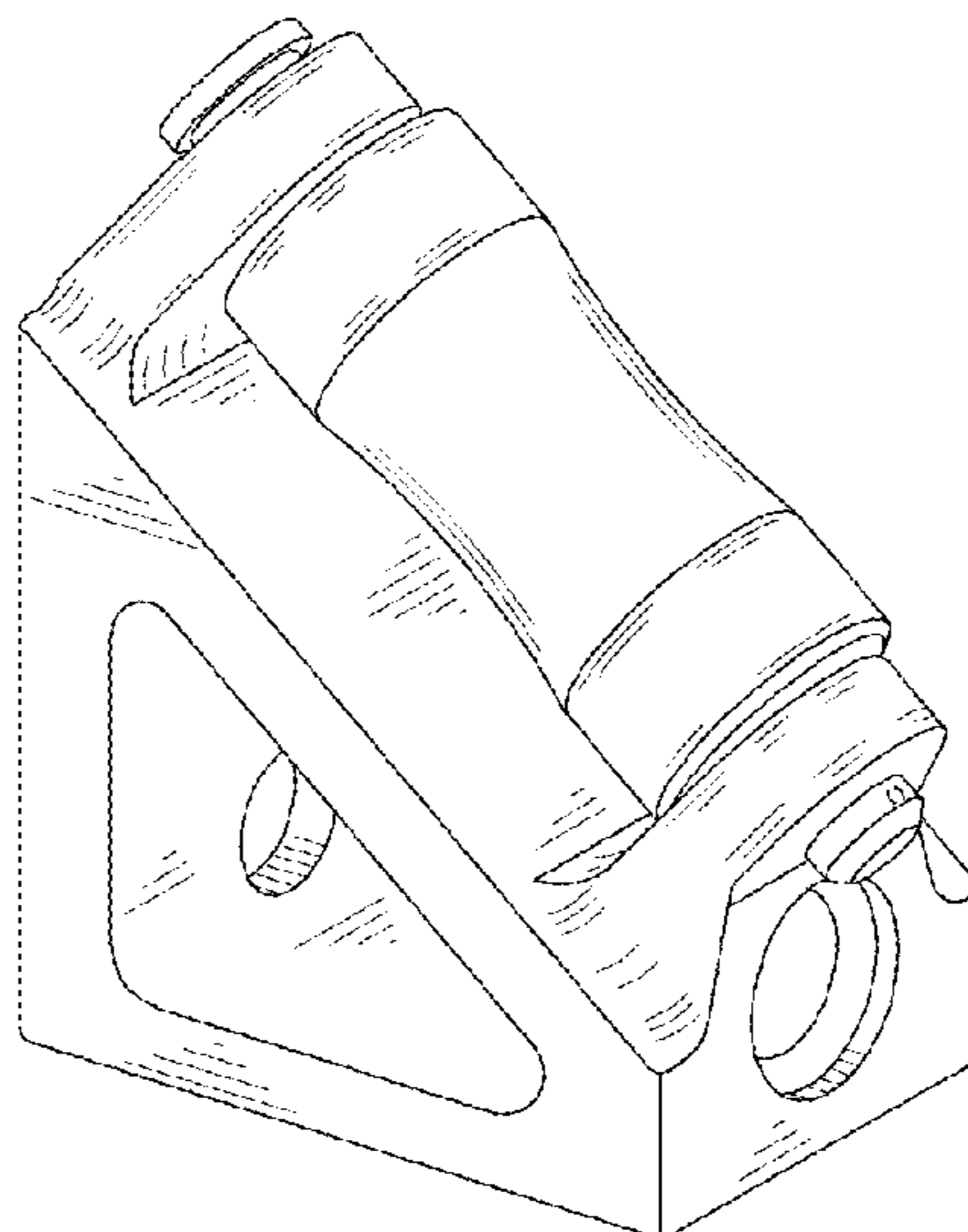
(56) **References Cited**

U.S. PATENT DOCUMENTS

5,002,478 A * 3/1991 Lupke B29C 49/0021 425/325
D447,815 S * 9/2001 O'Brien D25/56
D452,328 S * 12/2001 O'Brien D25/56
7,090,173 B2 8/2006 Lussier
D589,337 S * 3/2009 Karlsson D8/394
D600,829 S * 9/2009 Munakata D25/126
D600,831 S * 9/2009 Munakata D25/126
D634,445 S * 3/2011 Mason D25/56
D676,576 S * 2/2013 Oetlinger D25/121
8,807,492 B2 8/2014 Lake
D715,339 S * 10/2014 Oetlinger D15/138
D751,884 S * 3/2016 Morris D8/349

FIG. 1 is a first perspective view of a wedge block having roller bearing for a pipe support system, showing my new design.
FIG. 2 is a second perspective view of the wedge block having roller bearing for a pipe support system of FIG. 1.
FIG. 3 is a top plan view thereof.
FIG. 4 is a bottom view thereof.
FIG. 5 is a left side elevation view thereof.
FIG. 6 is a right side elevation view thereof.
FIG. 7 is a front plan view thereof.
FIG. 8 is a rear plan view thereof; and,
FIG. 9 is an exploded perspective view of the wedge block having roller bearing for a pipe support system of FIG. 1. The broken lines in the drawings depict portions of the wedge block having roller bearing that form no part of the claimed designs.

1 Claim, 5 Drawing Sheets



(56)

References Cited

U.S. PATENT DOCUMENTS

D763,067	S *	8/2016	Monsees	D8/382
D768,843	S *	10/2016	Honeyball	D23/386
D779,309	S *	2/2017	Morris	D8/349
D782,708	S *	3/2017	Key	D25/133
D810,008	S *	2/2018	Mollison	D13/102
D810,010	S *	2/2018	Rook	D13/102
D824,749	S *	8/2018	Wright	D8/354
D826,694	S *	8/2018	Templeman	D8/354
10,221,968	B2	3/2019	Haynes et al.	
10,274,111	B2	4/2019	Breda	
D882,118	S *	4/2020	Noe	D25/56
D883,774	S *	5/2020	Comalander	D8/380
D915,186	S *	4/2021	Barker	D8/382
2018/0277285	A1	9/2018	Stilwell et al.	
2020/0018424	A1 *	1/2020	Comalander	F16L 3/20
2021/0010616	A1 *	1/2021	Comalander	B23K 37/0426
2021/0071784	A1 *	3/2021	Dodge	F16L 3/13

OTHER PUBLICATIONS

Screen Shot of Anchorage Group Pipe Cradle; Accessed Mar. 2019; <https://zipleaf.auz.net/Companies/Anchorage-Group-Pipe-Supports/Article-Piping-Cradles>.

Screen Shot of EZ Line Pipe Clamp Shim Block Assy; Accessed Mar. 2019; <http://www.ezline.com/ezline-pipe-clamps-and-shim-block-assemblies/>.

Screen Shot of Precision Weld and Fabrication Shim Blocks; Accessed Mar. 2019; <http://weweld.com/pipe-clamps/>.

Screen Shot of PPSC Shim Block with Strap; Accessed Mar. 2019; <https://www.pipelinepsc.com/gsh-shim-block-with-strap>.

Screen Shot of Refurbished 5-Ton, 4-48" Od Pipe Roller Supports; Accessed May 2019; Date of publication unknown; <https://www.ljwelding.com>.

Screen Shot of Pipe Roll Stand; Accessed May 2019; Date of publication unknown; <https://www.zoro.com>.

* cited by examiner

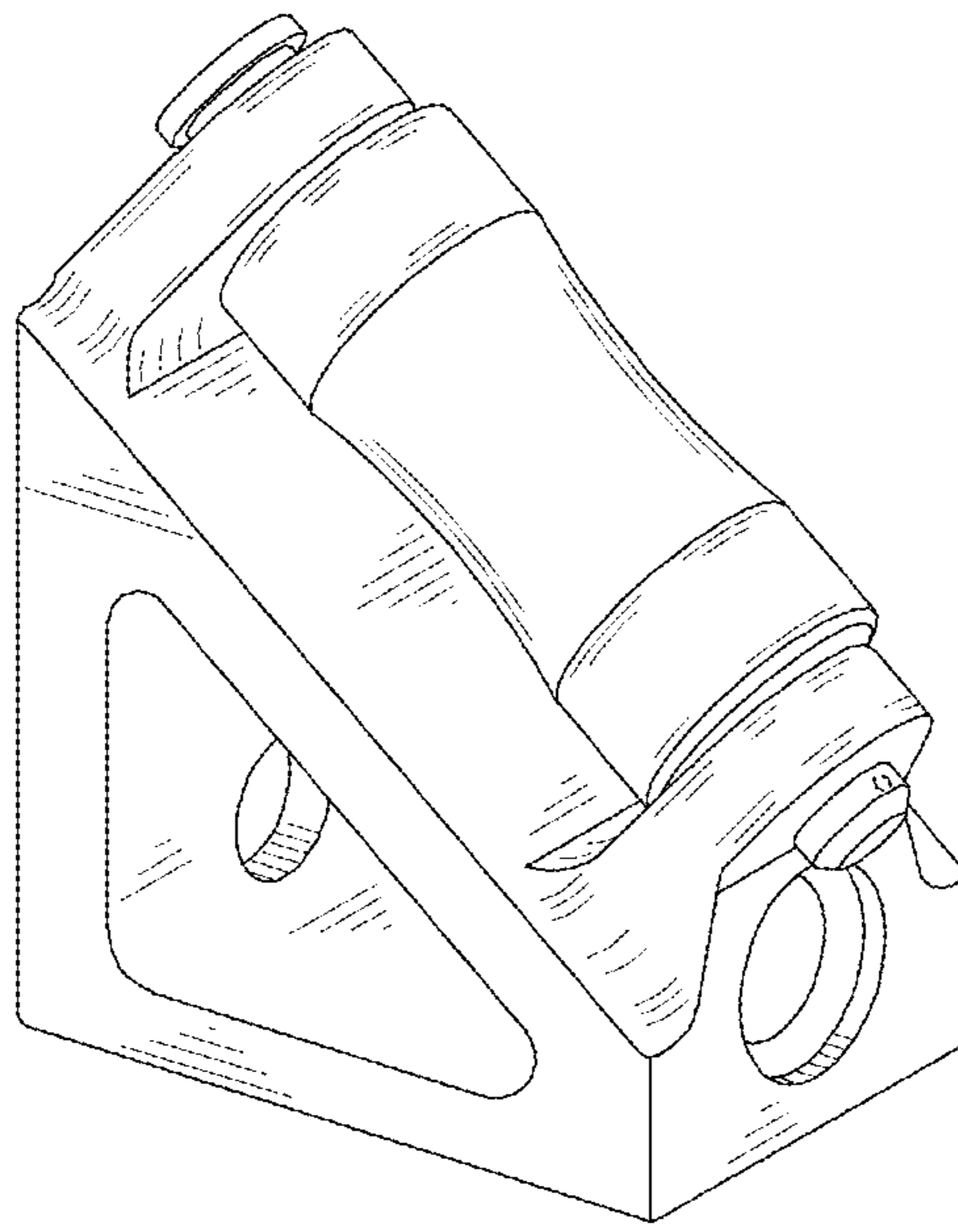


FIG. 1

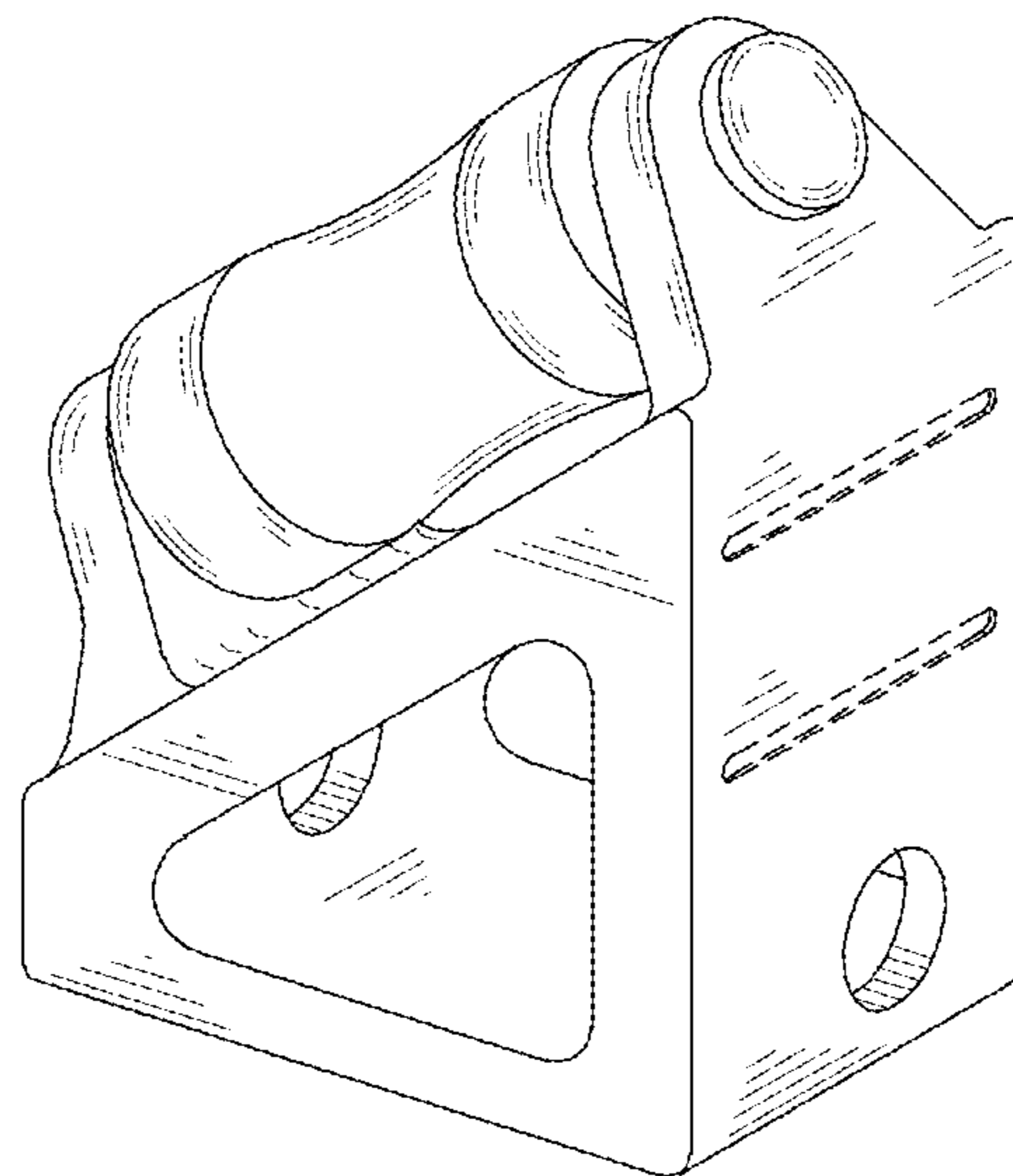


FIG. 2

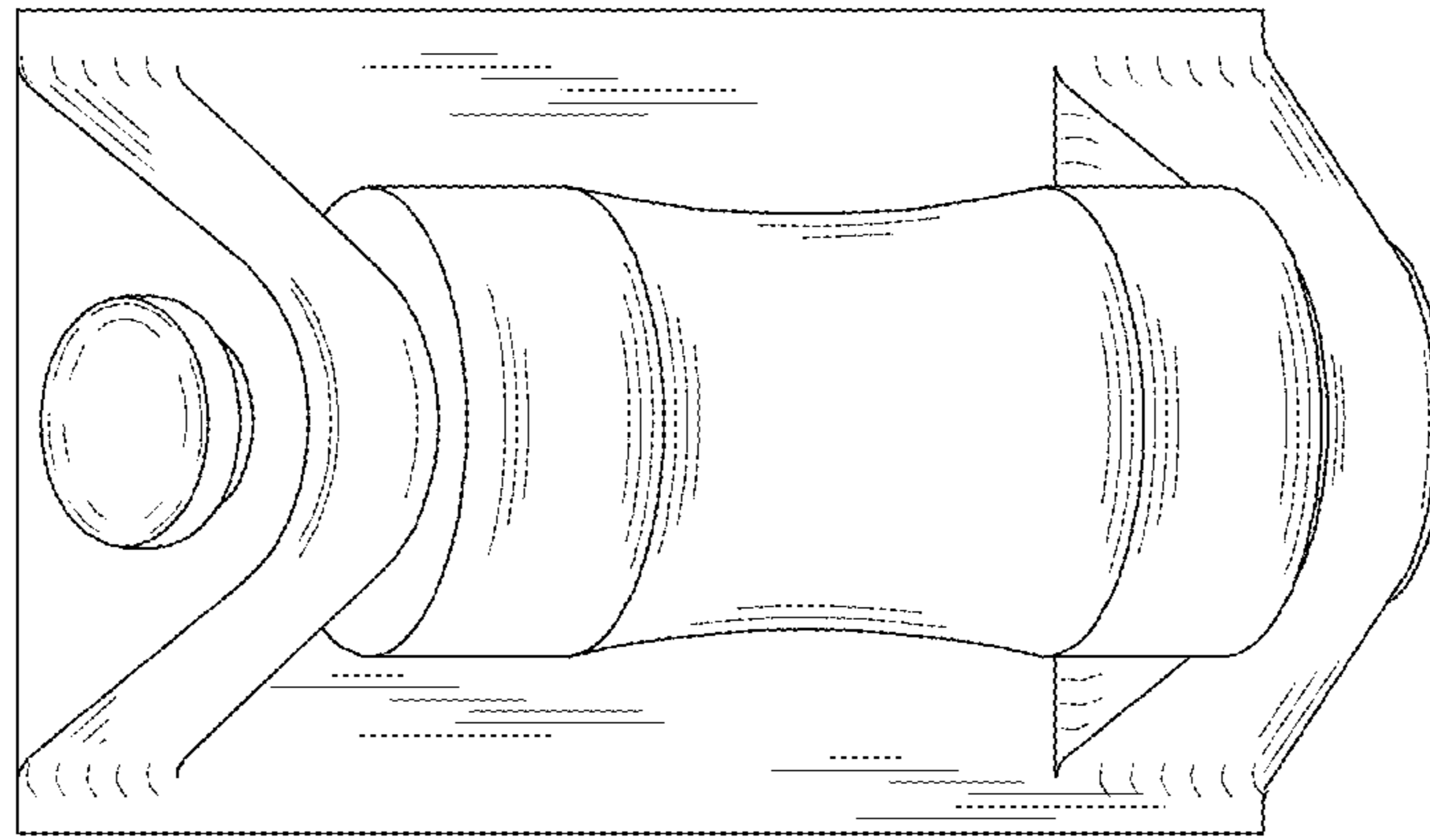


FIG. 3

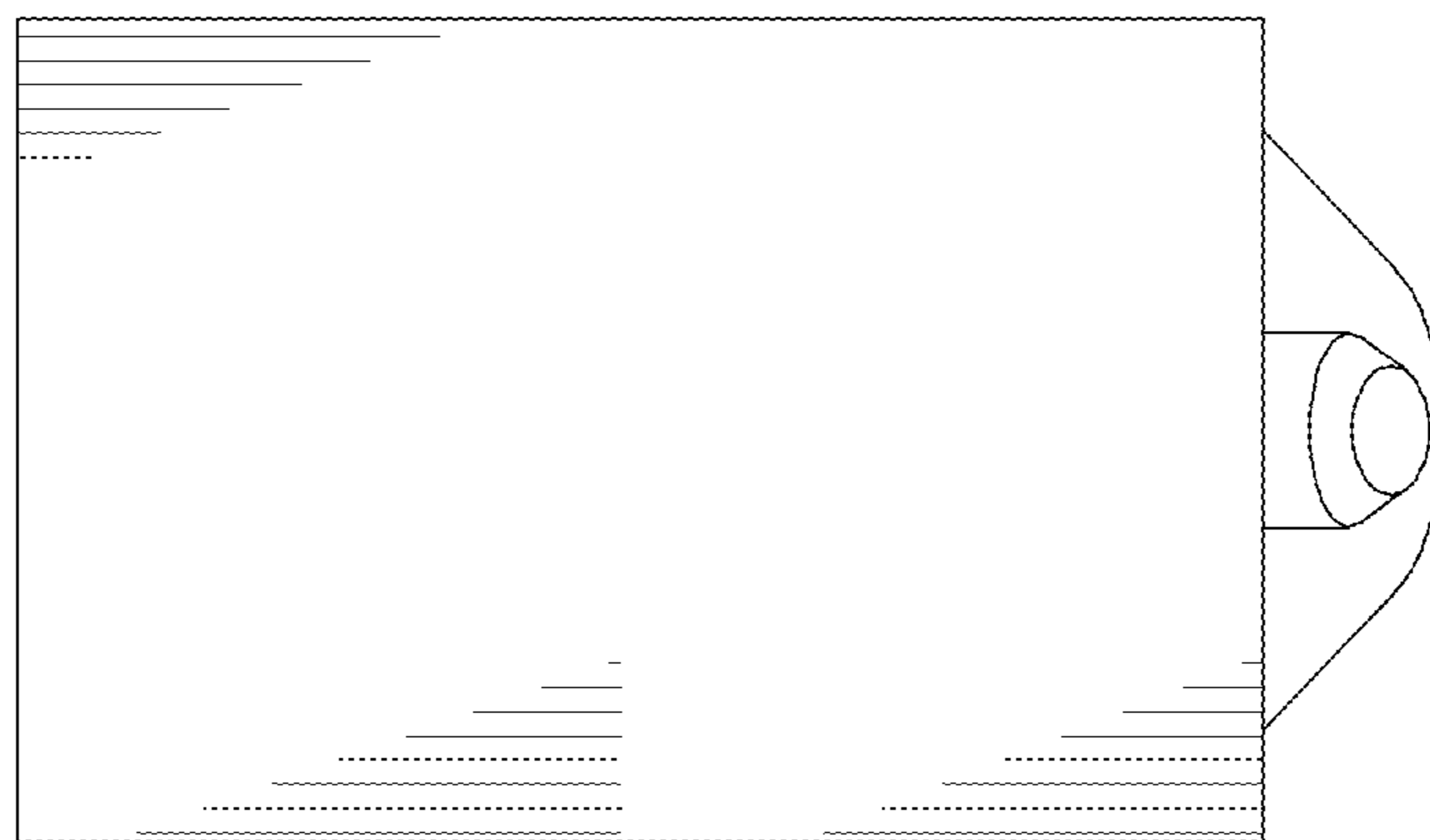


FIG. 4

FIG. 5

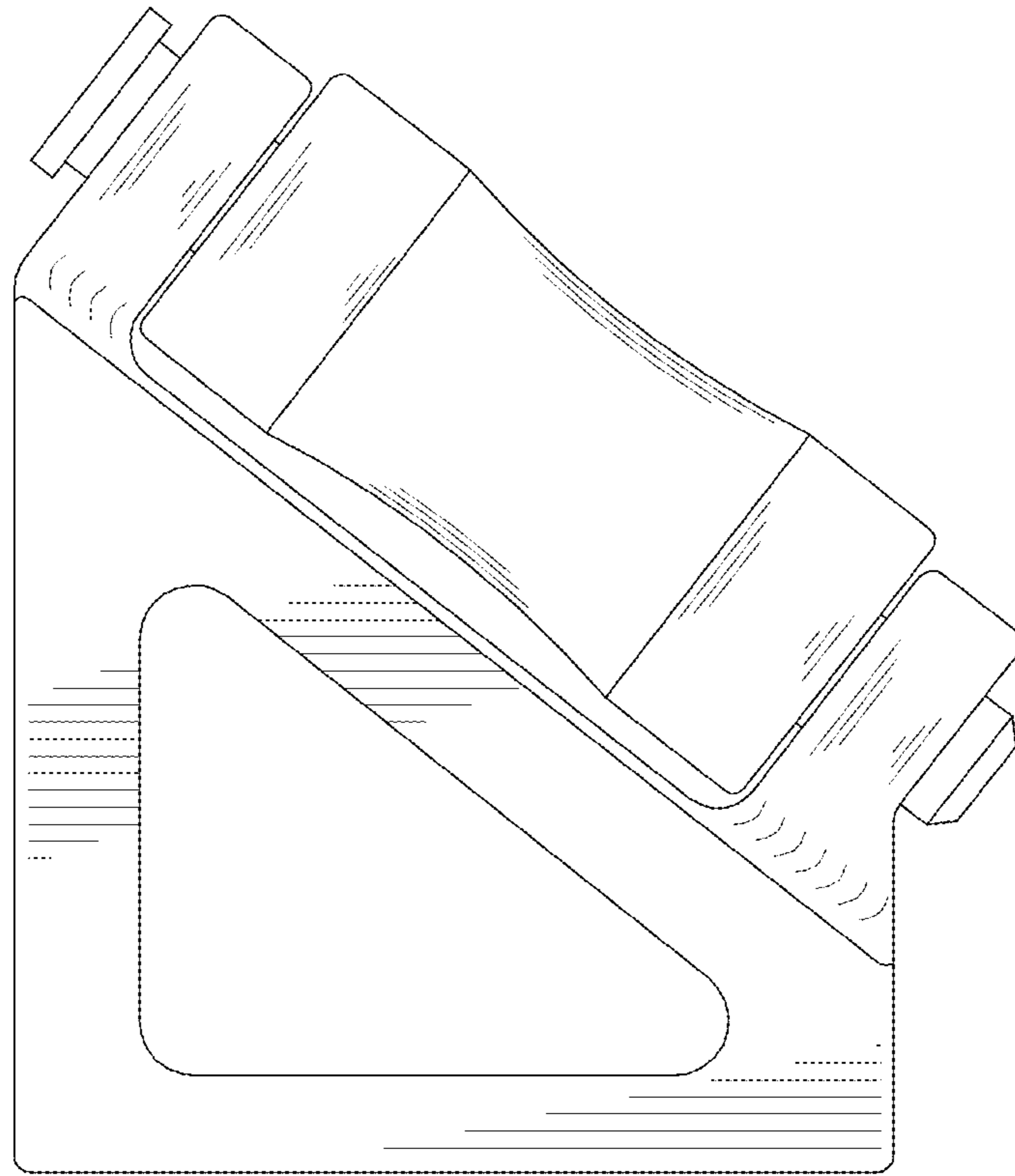


FIG. 6

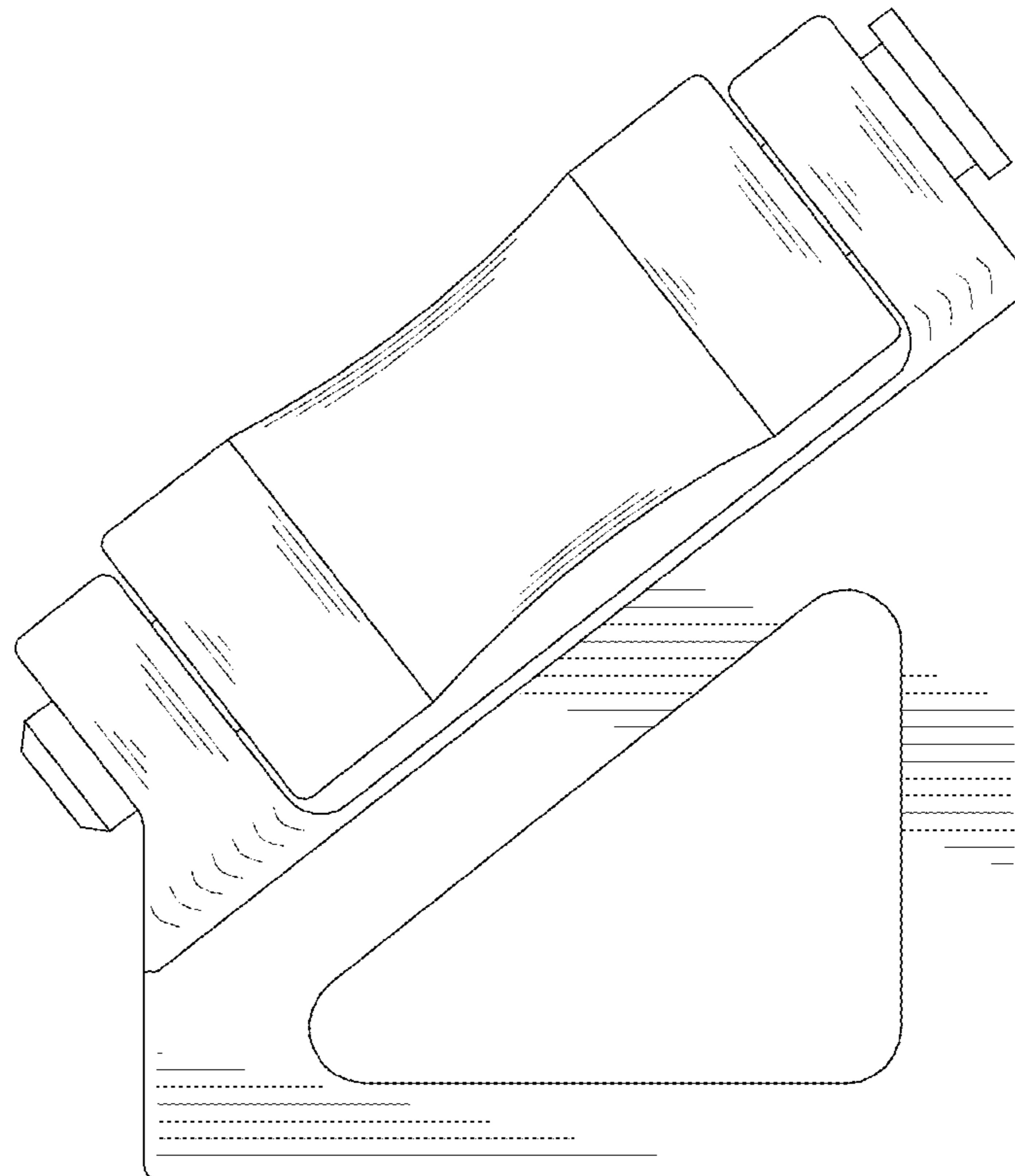


FIG. 7

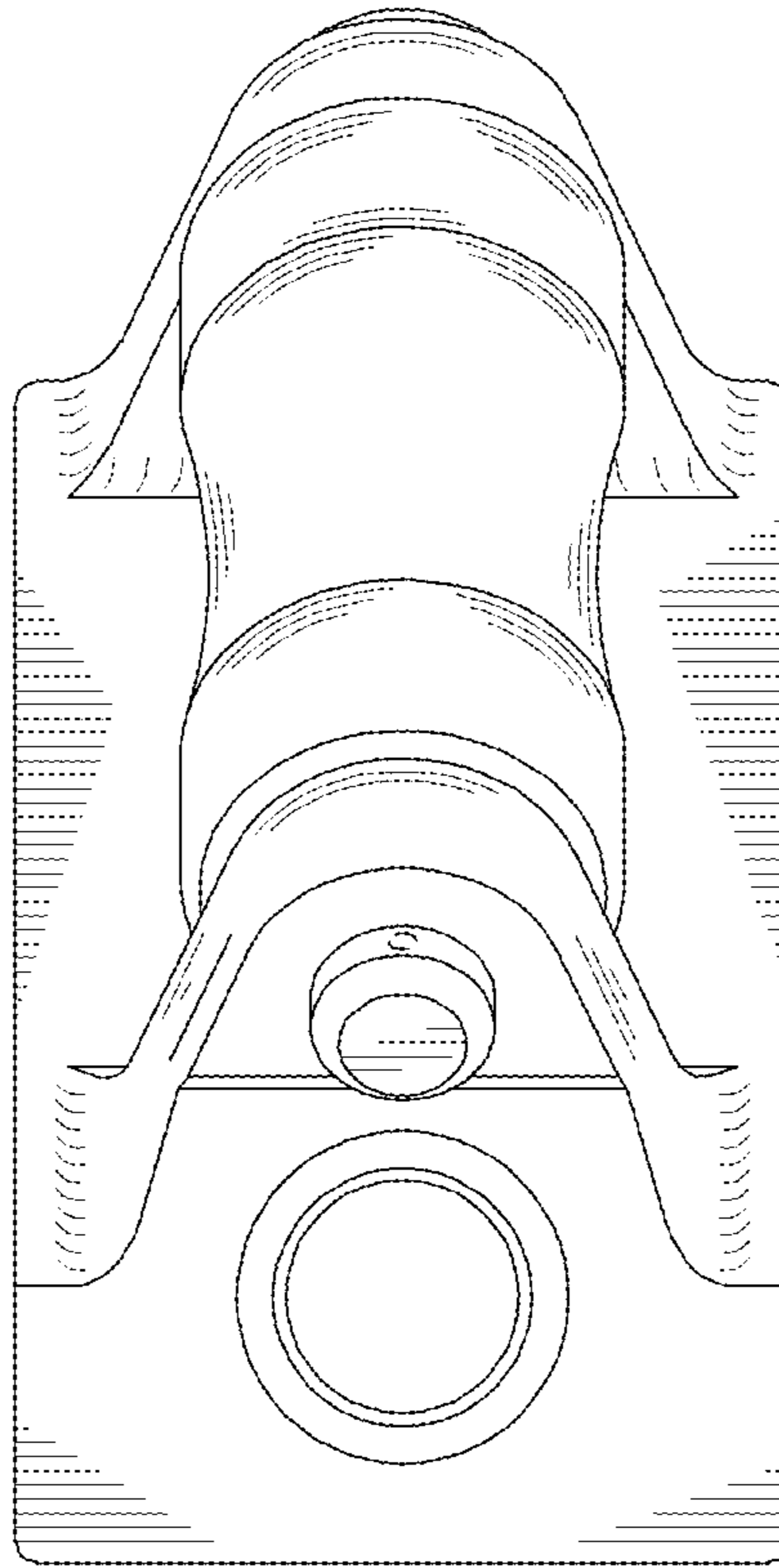
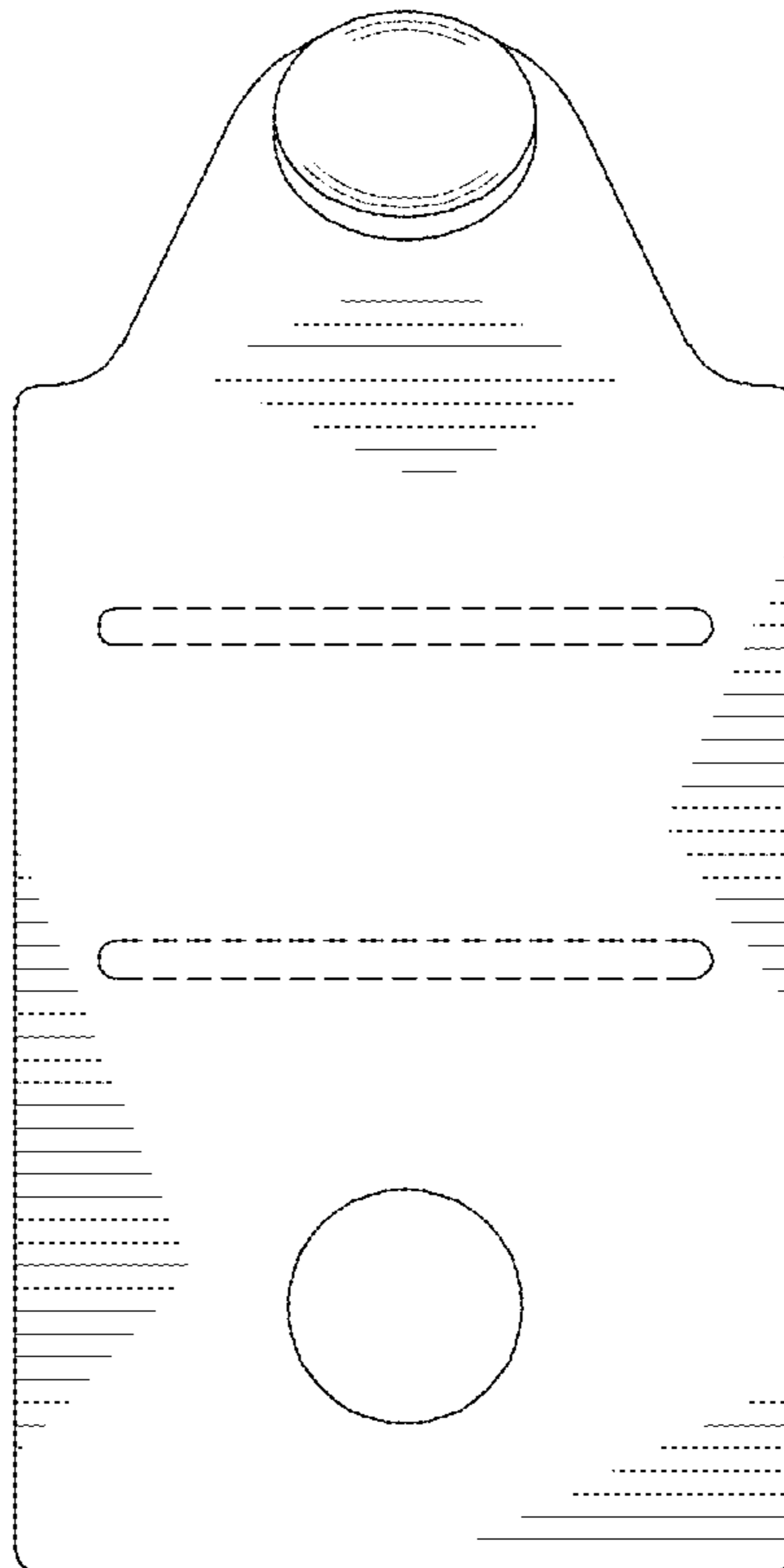


FIG. 8



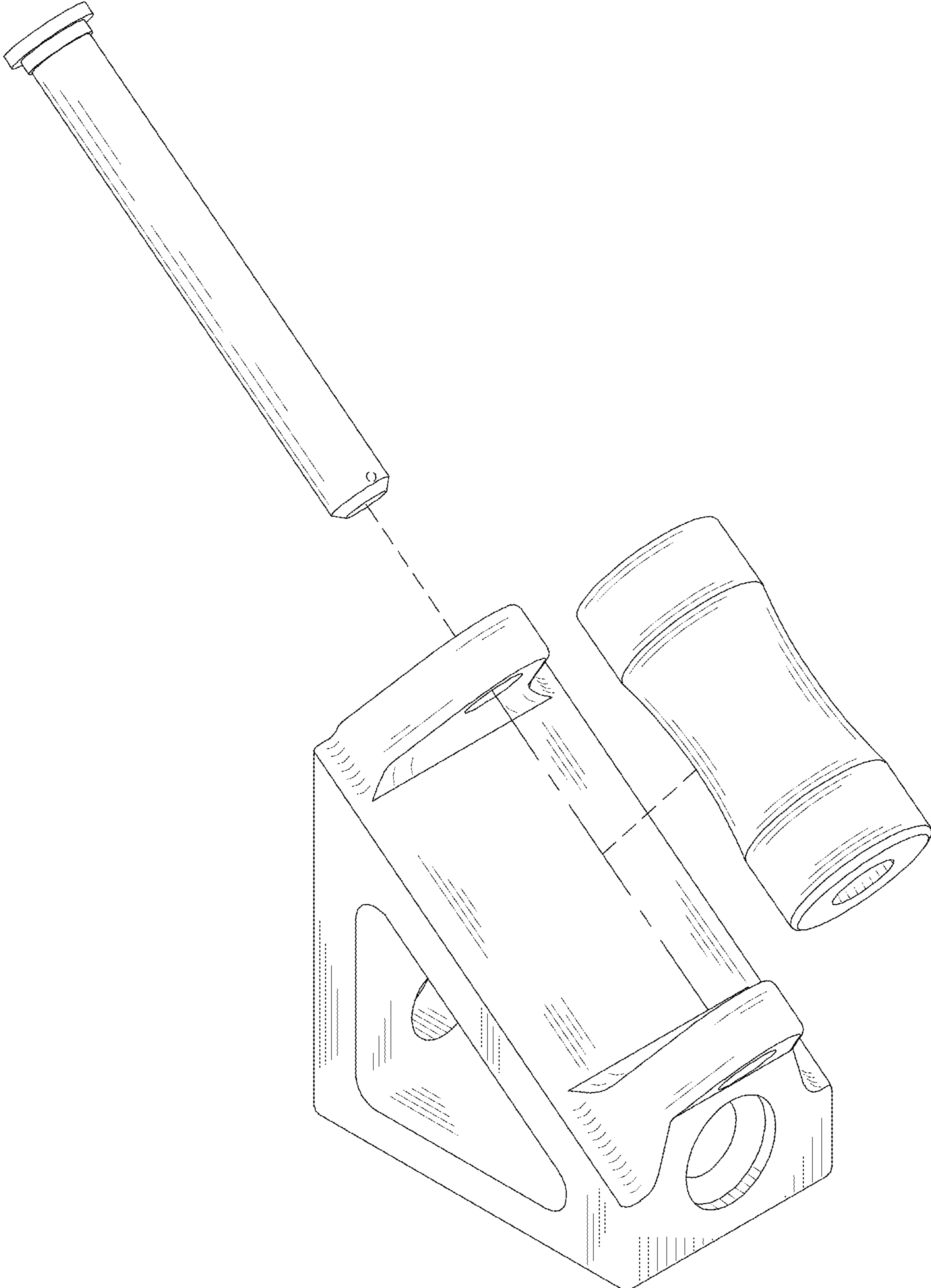


FIG. 9