



US00D966877S

(12) **United States Design Patent**  
**Kopitzke et al.**

(10) **Patent No.:** **US D966,877 S**  
(45) **Date of Patent:** **\*\* Oct. 18, 2022**

(54) **HANGER BAR FOR A HANGER BAR ASSEMBLY**

D180,844 S 8/1957 Poliakoff  
2,802,933 A 8/1957 Broadwin  
2,809,002 A \* 10/1957 Rudolph ..... H02G 3/126  
248/57

(71) Applicant: **VER Lighting LLC**, Carson, CA (US)

2,998,512 A 8/1961 Duchene et al.  
3,023,920 A 3/1962 Cook et al.

(72) Inventors: **Frederick William Kopitzke**, Long Beach, CA (US); **Amir Lotfi**, Redondo Beach, CA (US); **Mohammed Aslam Khazi**, Troy, MI (US)

(Continued)

**FOREIGN PATENT DOCUMENTS**

(73) Assignee: **VER Lighting LLC**, Carson, CA (US)

CA 2243934 C 6/2002  
CA 2502637 A1 9/2005

(Continued)

(\*\*) Term: **15 Years**

**OTHER PUBLICATIONS**

(21) Appl. No.: **29/683,638**

Cooper Lighting Halo ML56 LED System Product Sheet. Mar. 2, 2015. Accessed at [http://www.cooperindustries.com/content/dam/public/lighting/products/documents/halo/spec\\_sheets/halo-ml56600-80cri-141689-sss.pdf](http://www.cooperindustries.com/content/dam/public/lighting/products/documents/halo/spec_sheets/halo-ml56600-80cri-141689-sss.pdf). 8 pages.

(22) Filed: **Mar. 14, 2019**

(Continued)

(51) **LOC (13) Cl.** ..... **08-05**

(52) **U.S. Cl.**

USPC ..... **D8/380**

(58) **Field of Classification Search**

USPC ..... D8/349, 354, 363, 364, 373, 377, 380, D8/381; D13/154, 199, 139.2, 139.3, D13/128, 152

CPC ..... F21S 8/026; F21V 21/048; F16B 7/1472  
See application file for complete search history.

*Primary Examiner* — Keli L Hill

*Assistant Examiner* — Harold E Blackwell, II

(74) *Attorney, Agent, or Firm* — Smith Baluch LLP

(56) **References Cited**

(57) **CLAIM**

The ornamental design for a hanger bar for a hanger bar assembly, as shown and described.

**U.S. PATENT DOCUMENTS**

**DESCRIPTION**

1,133,535 A	3/1915	Cain et al.
1,471,340 A	10/1923	Knight
1,856,356 A	5/1932	Owen
2,038,784 A	4/1936	Ghadiali
2,179,161 A	11/1939	Rambusch
2,197,737 A	4/1940	Appleton
2,352,913 A	7/1944	Morrill
2,528,989 A	11/1950	Ammells
2,597,595 A	5/1952	Ordas
2,642,246 A	6/1953	Larry
2,670,919 A	3/1954	Vincent
2,697,535 A	12/1954	Olson
2,758,810 A	8/1956	Good

FIG. 1 is a top, rear, right-side perspective view of a hanger bar in our new design for a hanger bar for a hanger bar assembly;

FIG. 2 is a left-side elevation view thereof, the right-side elevation view being a mirror image;

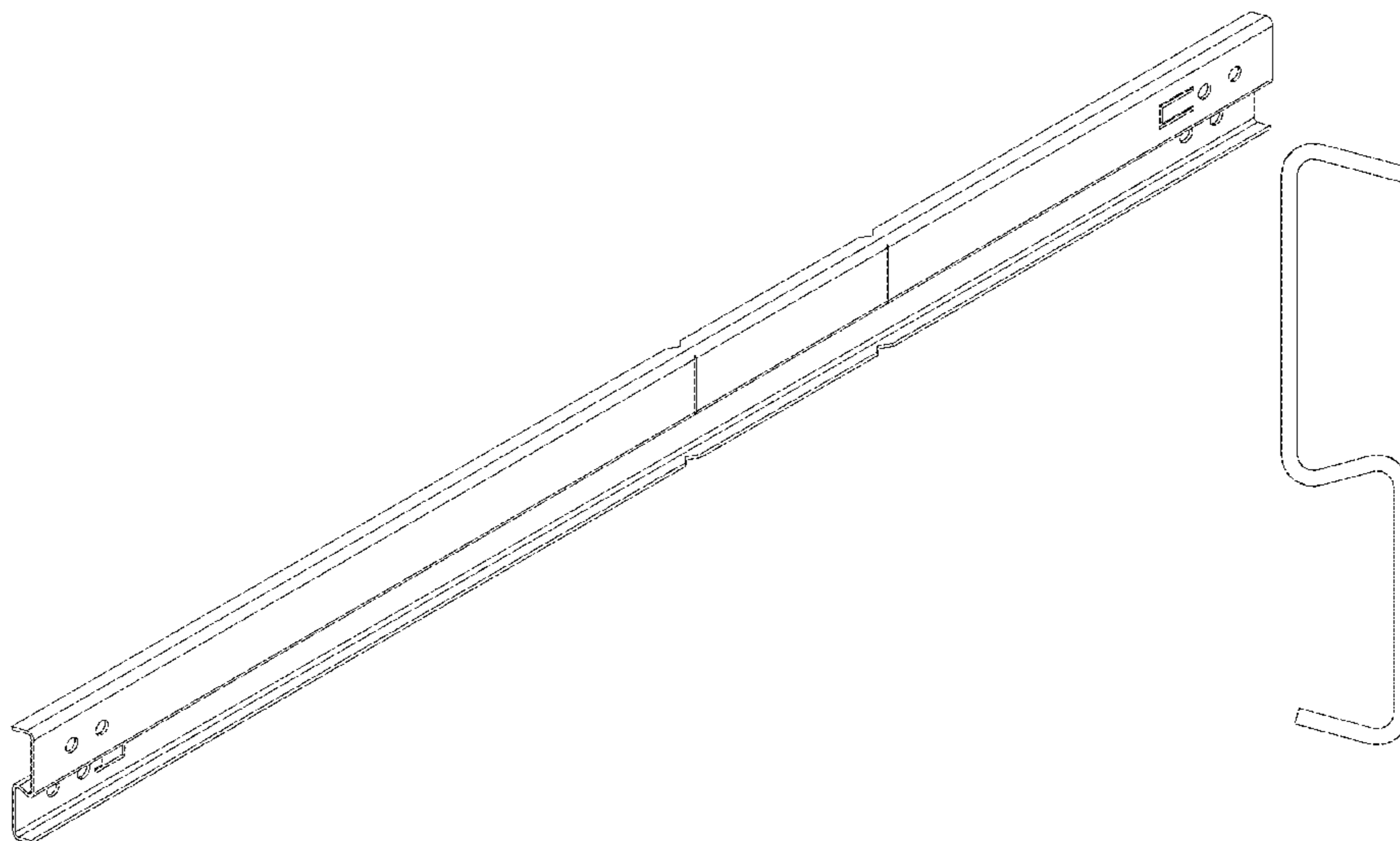
FIG. 3 is a front elevation view thereof;

FIG. 4 is a rear elevation view thereof;

FIG. 5 is a top plan view thereof; and,

FIG. 6 is a bottom plan view thereof.

**1 Claim, 6 Drawing Sheets**



(56)

References Cited

U.S. PATENT DOCUMENTS

3,057,993 A	10/1962	Gellert	5,738,436 A	4/1998	Cummings et al.
3,104,087 A	9/1963	Joseph et al.	5,836,678 A	11/1998	Wright et al.
3,214,126 A	10/1965	Roos	5,942,726 A	8/1999	Reiker
3,422,261 A	1/1969	McGinty	5,944,412 A	9/1999	Janos et al.
3,460,299 A	8/1969	Wilson	5,957,573 A	9/1999	Wedekind et al.
3,650,046 A	3/1972	Skinner	5,975,323 A	11/1999	Turan
3,675,807 A	7/1972	Lund et al.	6,030,102 A	2/2000	Gromotka
3,700,885 A	10/1972	Bobrick	6,033,098 A *	3/2000	Hentz ..... F21V 21/04
3,711,053 A	1/1973	Drake			362/147
D227,989 S	7/1973	Geisel	6,076,788 A *	6/2000	Akiyama ..... F21V 21/04
3,773,968 A	11/1973	Copp			248/200.1
3,812,342 A	5/1974	Mcnamara	6,082,878 A	7/2000	Doubek et al.
3,836,766 A	9/1974	Auerbach	6,095,669 A	8/2000	Cho
3,874,035 A	4/1975	Schuplin	6,098,945 A	8/2000	Korcz
3,913,773 A	10/1975	Copp et al.	6,105,334 A	8/2000	Monson et al.
D245,905 S	9/1977	Taylor	6,161,910 A	12/2000	Reisenauer et al.
4,050,603 A *	9/1977	Harris ..... H02G 3/126	6,170,685 B1	1/2001	Currier
		220/3.9	6,170,965 B1	1/2001	Kotovsky
4,062,512 A *	12/1977	Arnold ..... H02G 3/126	6,174,076 B1	1/2001	Petrakis et al.
		220/3.9	6,176,599 B1	1/2001	Farzen
4,088,827 A	5/1978	Kohaut	6,267,491 B1	7/2001	Parrigin
4,154,218 A	5/1979	Hulet	6,332,597 B1	12/2001	Korcz et al.
4,154,219 A	5/1979	Gupta et al.	6,350,043 B1	2/2002	Gloisten
4,176,758 A	12/1979	Glick	6,350,046 B1	2/2002	Lau
4,280,169 A	7/1981	Allen	6,364,511 B1	4/2002	Cohen
D267,694 S *	1/1983	Moriarty ..... D6/574	6,375,338 B1	4/2002	Cummings et al.
D267,695 S *	1/1983	Paquette ..... D6/574	6,402,112 B1	6/2002	Thomas et al.
D267,775 S *	2/1983	Holcombe ..... D8/380	D461,455 S	8/2002	Forbes
4,399,497 A	8/1983	Druffel	6,461,016 B1	10/2002	Jamison et al.
4,450,512 A	5/1984	Kristofek	6,474,846 B1	11/2002	Kelmelis et al.
4,460,948 A	7/1984	Malola	6,491,270 B1 *	12/2002	Pfaller ..... H02G 3/125
4,520,435 A	5/1985	Baldwin			248/200.1
4,539,629 A	9/1985	Poppenheimer	6,491,413 B1	12/2002	Benesohn
4,601,145 A	7/1986	Wilcox	D468,697 S	1/2003	Straub, Jr.
4,667,840 A	5/1987	Lindsey	6,515,313 B1	2/2003	Ibbetson et al.
4,723,747 A	2/1988	Karp et al.	6,521,833 B1	2/2003	DeFreitas
4,729,080 A	3/1988	Fremont et al.	6,583,573 B2	6/2003	Bierman
4,733,339 A	3/1988	Kelsall	6,585,389 B2	7/2003	Bonazzi
4,754,377 A	6/1988	Wenman	6,600,175 B1	7/2003	Baretz et al.
4,770,311 A	9/1988	Wang	D478,872 S	8/2003	Heggem
4,880,128 A	11/1989	Jorgensen	6,632,006 B1	10/2003	Rippel et al.
4,910,651 A	3/1990	Montanez	6,657,236 B1	12/2003	Thibeault et al.
4,919,292 A	4/1990	Hsu	6,666,419 B1	12/2003	Vrame
4,929,187 A	5/1990	Hudson et al.	D487,600 S	3/2004	Fickas
4,930,054 A	5/1990	Krebs	D488,583 S	4/2004	Benghozi
5,044,582 A	9/1991	Walters	6,719,438 B2	4/2004	Sevack et al.
D326,537 S	5/1992	Gattari	6,758,578 B1	7/2004	Chou
5,216,203 A	6/1993	Gower	6,777,615 B1	8/2004	Gretz
5,222,800 A	6/1993	Chan et al.	6,779,908 B1	8/2004	Ng
5,239,132 A	8/1993	Bartow	6,827,229 B2	12/2004	Dinh et al.
5,250,269 A	10/1993	Langer et al.	6,827,471 B1	12/2004	Benghozi
D340,856 S *	11/1993	McHugh ..... D8/354	6,838,618 B2	1/2005	Newbold et al.
D341,819 S *	11/1993	Carlstrom ..... D8/381	6,889,943 B2 *	5/2005	Dinh ..... F04D 29/601
5,266,050 A	11/1993	O'Neil et al.			248/57
5,291,381 A	3/1994	Price	6,906,352 B2	6/2005	Edmond et al.
5,303,894 A	4/1994	Deschamps et al.	D509,314 S	9/2005	Rashidi
5,382,752 A	1/1995	Reyhan et al.	6,948,829 B2	9/2005	Verdes et al.
5,420,376 A	5/1995	Rajecki et al.	6,958,497 B2	10/2005	Emerson et al.
5,444,606 A	8/1995	Barnes et al.	6,964,501 B2	11/2005	Ryan
5,465,199 A	11/1995	Bray et al.	6,967,284 B1	11/2005	Gretz
D365,165 S	12/1995	Stultz	D516,235 S	2/2006	Rashidi
5,505,419 A	4/1996	Gabrius	7,025,476 B2	4/2006	Leadford
5,544,870 A	8/1996	Kelly et al.	7,025,477 B2	4/2006	Blessing
5,562,343 A	10/1996	Chan et al.	7,064,269 B2	6/2006	Smith
5,571,993 A	11/1996	Jones et al.	D528,673 S	9/2006	Maxik et al.
5,580,158 A	12/1996	Aubrey et al.	7,102,172 B2	9/2006	Lynch
5,588,737 A	12/1996	Kusmer	D531,740 S	11/2006	Maxik
5,603,424 A	2/1997	Bordwell et al.	D532,532 S	11/2006	Maxik
5,609,408 A	3/1997	Targetti	7,148,420 B1	12/2006	Johnson et al.
5,613,338 A	3/1997	Esposito	7,152,985 B2	12/2006	Benitez et al.
D381,111 S	7/1997	Lecluze	7,154,040 B1	12/2006	Tompkins
5,662,413 A	9/1997	Akiyama et al.	7,170,015 B1	1/2007	Roesch et al.
D386,277 S	11/1997	Lecluze	D536,349 S	2/2007	Humber et al.
5,690,423 A	11/1997	Hentz et al.	D537,039 S	2/2007	Pincek
D387,466 S	12/1997	Lecluze	7,181,378 B2	2/2007	Benitez et al.
			D539,229 S	3/2007	Murphey
			7,186,008 B2	3/2007	Patti
			7,190,126 B1	3/2007	Paton
			7,211,833 B2	5/2007	Slater, Jr. et al.

(56)

References Cited

U.S. PATENT DOCUMENTS

7,213,940 B1	5/2007	Van De Ven et al.	
7,234,674 B2	6/2007	Rippel et al.	
D547,889 S	7/2007	Huang	
D552,969 S *	10/2007	Bobrowski .....	D8/354
D553,267 S	10/2007	Yuen	
D555,106 S	11/2007	Pape et al.	
D556,144 S	11/2007	Dinh	
7,297,870 B1	11/2007	Sartini	
7,312,474 B2	12/2007	Emerson et al.	
7,320,536 B2	1/2008	Petrakis et al.	
D561,372 S	2/2008	Yan	
D561,373 S	2/2008	Yan	
7,335,920 B2	2/2008	Denbaars et al.	
D563,896 S	3/2008	Greenslate	
7,347,580 B2	3/2008	Blackman et al.	
D570,012 S	5/2008	Huang	
7,374,308 B2	5/2008	Sevack et al.	
D570,504 S	6/2008	Maxik et al.	
D570,505 S	6/2008	Maxik et al.	
7,399,104 B2	7/2008	Rappaport	
7,413,156 B1 *	8/2008	Cho .....	F21S 8/04 362/147
7,429,025 B1	9/2008	Gretz	
D578,677 S	10/2008	Huang	
7,431,482 B1	10/2008	Morgan et al.	
7,432,440 B2	10/2008	Hull et al.	
7,442,883 B2	10/2008	Jolly et al.	
7,446,345 B2	11/2008	Emerson et al.	
7,470,048 B2	12/2008	Wu	
7,473,005 B2	1/2009	O'Brien	
7,488,097 B2	2/2009	Reisenauer et al.	
7,494,258 B2	2/2009	McNaught	
7,503,145 B2	3/2009	Newbold et al.	
7,510,159 B2 *	3/2009	Rippel .....	H02G 3/125 248/323
7,524,089 B2	4/2009	Park	
D591,894 S	5/2009	Flank	
D592,945 S *	5/2009	Mahan .....	D8/381
7,534,989 B2	5/2009	Suehara et al.	
D596,154 S	7/2009	Rivkin	
7,566,154 B2	7/2009	Gloisten et al.	
D599,040 S	8/2009	Alexander et al.	
D600,836 S	9/2009	Hanley et al.	
7,588,359 B2	9/2009	Coushaine et al.	
7,592,583 B2	9/2009	Page et al.	
D606,696 S	12/2009	Chen et al.	
7,625,105 B1	12/2009	Johnson	
7,628,513 B2	12/2009	Chiu	
7,651,238 B2	1/2010	O'Brien	
7,654,705 B2	2/2010	Czech et al.	
D611,650 S	3/2010	Broekhoff	
7,670,021 B2	3/2010	Chou	
7,673,841 B2	3/2010	Wronski	
7,677,766 B2	3/2010	Boyer	
D613,444 S	4/2010	Rashidi	
7,692,182 B2	4/2010	Bergmann et al.	
7,704,763 B2	4/2010	Fujii et al.	
D616,118 S	5/2010	Thomas et al.	
7,712,922 B2	5/2010	Hacker et al.	
7,722,208 B1	5/2010	Dupre et al.	
7,722,227 B2	5/2010	Zhang et al.	
7,735,795 B2	6/2010	Wronski	
7,735,798 B2	6/2010	Kojima	
7,748,887 B2	7/2010	Zampini, II et al.	
7,766,518 B2	8/2010	Piepgas et al.	
7,769,192 B2	8/2010	Takagi et al.	
7,771,082 B2	8/2010	Peng	
7,771,094 B2	8/2010	Goode	
7,784,754 B2 *	8/2010	Nevers .....	F21V 21/04 248/200.1
D624,692 S	9/2010	Mackin et al.	
D625,847 S	10/2010	Maglica	
D625,876 S	10/2010	Chen et al.	
7,810,775 B2 *	10/2010	Dal Ponte .....	F21V 21/048 52/712
D627,507 S	11/2010	Lai et al.	
D627,727 S	11/2010	Alexander et al.	
7,828,465 B2	11/2010	Roberge et al.	
D629,366 S	12/2010	Ericson et al.	
7,845,393 B2	12/2010	Kao et al.	
7,857,275 B2	12/2010	de la Borbolla	
7,871,184 B2	1/2011	Peng	
7,874,539 B2 *	1/2011	Wright .....	F04D 25/088 248/323
7,874,703 B2	1/2011	Shastry et al.	
7,874,709 B1	1/2011	Beadle	
D633,224 S	2/2011	Lee	
7,909,487 B1	3/2011	Venetucci et al.	
D636,117 S	4/2011	Kim et al.	
D636,118 S	4/2011	Kim et al.	
D636,903 S	4/2011	Torenbeek	
D637,339 S	5/2011	Hasan et al.	
D637,340 S	5/2011	Hasan et al.	
7,950,832 B2	5/2011	Tanaka et al.	
D639,499 S	6/2011	Choi et al.	
D640,819 S	6/2011	Pan	
7,956,546 B2	6/2011	Hasnain	
7,959,332 B2	6/2011	Tickner et al.	
7,967,480 B2	6/2011	Pickard et al.	
D642,317 S	7/2011	Rashidi	
7,972,035 B2	7/2011	Boyer	
7,972,043 B2	7/2011	Schutte	
D642,536 S	8/2011	Robinson	
D643,970 S	8/2011	Kim et al.	
7,993,037 B1	8/2011	Buse	
8,002,425 B2	8/2011	Russo et al.	
D646,011 S	9/2011	Rashidi	
8,013,243 B2	9/2011	Korcz et al.	
8,038,113 B2	10/2011	Fryzek et al.	
D648,476 S	11/2011	Choi et al.	
D648,477 S	11/2011	Kim et al.	
D650,115 S	12/2011	Kim et al.	
8,070,328 B1	12/2011	Knoble et al.	
8,096,670 B2	1/2012	Trott	
D654,205 S	2/2012	Rashidi	
D655,436 S	3/2012	Johnson	
D656,262 S	3/2012	Yoshinobu et al.	
D656,263 S	3/2012	Ogawa et al.	
8,142,057 B2	3/2012	Roos et al.	
8,152,334 B2	4/2012	Krogman	
D658,788 S	5/2012	Dudik et al.	
D658,802 S	5/2012	Chen	
D659,862 S	5/2012	Tsai	
D659,879 S	5/2012	Rashidi	
D660,814 S	5/2012	Wilson	
8,177,176 B2 *	5/2012	Nguyen .....	H02G 3/20 248/200.1
8,182,116 B2	5/2012	Zhang et al.	
8,201,968 B2	6/2012	Maxik et al.	
D663,058 S	7/2012	Pan	
D663,466 S	7/2012	Rashidi	
D664,274 S	7/2012	de Visser et al.	
D664,705 S	7/2012	Kong et al.	
8,215,805 B2	7/2012	Cogliano et al.	
8,220,970 B1	7/2012	Khazi et al.	
8,226,270 B2	7/2012	Yamamoto et al.	
8,235,549 B2	8/2012	Gingrich, III et al.	
8,238,050 B2	8/2012	Minano et al.	
8,240,630 B2	8/2012	Wronski	
D667,155 S	9/2012	Rashidi	
8,262,255 B1	9/2012	Rashidi	
D668,372 S	10/2012	Renshaw et al.	
D668,809 S	10/2012	Rashidi	
D669,198 S	10/2012	Qiu	
D669,199 S	10/2012	Chuang	
D669,620 S	10/2012	Rashidi	
8,277,090 B2	10/2012	Fryzek et al.	
8,308,322 B2	11/2012	Santiago et al.	
D673,869 S	1/2013	Yu	
D676,263 S	2/2013	Birke	
D676,814 S	2/2013	Paul	
8,376,593 B2	2/2013	Bazydola et al.	
D677,417 S	3/2013	Rashidi	
D677,634 S	3/2013	Korcz et al.	

(56)

References Cited

U.S. PATENT DOCUMENTS

D679,047 S	3/2013	Tickner et al.	D722,977 S	2/2015	Hagarty
8,403,533 B1	3/2013	Paulsel	D722,978 S	2/2015	Hagarty
8,403,541 B1	3/2013	Rashidi	8,950,898 B2	2/2015	Catalano
8,405,947 B1	3/2013	Green et al.	8,967,575 B1	3/2015	Gretz
D681,259 S	4/2013	Kong	D726,363 S	4/2015	Danesh
8,408,759 B1	4/2013	Rashidi	D726,949 S	4/2015	Redfern
D682,459 S	5/2013	Gordin et al.	D728,129 S	4/2015	Kreuzbichler
D683,063 S	5/2013	Lopez et al.	9,004,435 B2	4/2015	Wronski
D683,890 S	6/2013	Lopez et al.	9,039,254 B2	5/2015	Danesh
D684,269 S	6/2013	Wang et al.	D731,689 S	6/2015	Bernard et al.
D684,719 S	6/2013	Rashidi	9,062,866 B1	6/2015	Christ et al.
D685,118 S	6/2013	Rashidi	9,065,264 B2	6/2015	Cooper et al.
D685,120 S	6/2013	Rashidi	9,068,719 B2	6/2015	Van De Ven et al.
8,454,204 B1	6/2013	Chang et al.	9,068,722 B2	6/2015	Wronski et al.
D685,507 S	7/2013	Sun	D734,525 S	7/2015	Gordin et al.
D687,586 S	8/2013	Rashidi	D735,012 S	7/2015	Cowie
D687,587 S	8/2013	Rashidi	D735,142 S	7/2015	Hagarty
D687,588 S	8/2013	Rashidi	9,078,299 B2	7/2015	Ashdown
D687,980 S	8/2013	Gravely et al.	9,109,760 B2	8/2015	Shum et al.
D688,405 S	8/2013	Kim et al.	9,109,783 B1	8/2015	Davis et al.
8,506,127 B2	8/2013	Russello et al.	D739,355 S	9/2015	D'Aubeterre
8,506,134 B2	8/2013	Wilson et al.	D739,590 S	9/2015	Redfern
D690,049 S	9/2013	Rashidi	9,140,441 B2	9/2015	Goelz et al.
D690,864 S	10/2013	Rashidi	D741,538 S	10/2015	Ghasabi
D690,865 S	10/2013	Rashidi	D742,325 S	10/2015	Leung
D690,866 S	10/2013	Rashidi	9,151,457 B2	10/2015	Pickard et al.
D691,314 S	10/2013	Rashidi	9,151,477 B2	10/2015	Pickard et al.
D691,315 S	10/2013	Samson	D743,079 S	11/2015	Adair
D691,763 S	10/2013	Hand et al.	9,217,560 B2	12/2015	Harbers et al.
8,550,669 B2	10/2013	Macwan et al.	9,222,661 B2	12/2015	Kim et al.
D693,043 S	11/2013	Schmalfuss et al.	9,239,131 B1	1/2016	Wronski et al.
D693,517 S	11/2013	Davis	D750,317 S	2/2016	Lui et al.
D694,456 S	11/2013	Rowlette, Jr. et al.	9,285,103 B2	3/2016	Van De Ven et al.
8,573,816 B2	11/2013	Negley et al.	9,291,319 B2	3/2016	Kathawate et al.
D695,441 S	12/2013	Lui et al.	9,301,362 B2	3/2016	Dohn et al.
D696,446 S	12/2013	Huh	D754,078 S	4/2016	Baldwin et al.
D696,447 S	12/2013	Huh	D754,079 S	4/2016	Baldwin et al.
D696,448 S	12/2013	Huh	D754,605 S	4/2016	McMillan
8,602,601 B2	12/2013	Khazi et al.	9,303,812 B2	4/2016	Green et al.
D698,067 S	1/2014	Rashidi	9,310,038 B2	4/2016	Athalye
D698,068 S	1/2014	Rashidi	9,310,052 B1	4/2016	Shum
8,622,361 B2	1/2014	Wronski	9,322,543 B2	4/2016	Hussell et al.
8,632,040 B2	1/2014	Mass et al.	D756,025 S	5/2016	Wronski et al.
D698,985 S	2/2014	Lopez et al.	9,347,655 B2	5/2016	Boomgaarden et al.
D699,384 S	2/2014	Rashidi	9,366,418 B2	6/2016	Gifford
D699,687 S	2/2014	Baldwin et al.	9,371,966 B2	6/2016	Rowlette, Jr. et al.
D700,387 S	2/2014	Snell	D762,181 S	7/2016	Lin
8,641,243 B1	2/2014	Rashidi	9,395,051 B2	7/2016	Hussell et al.
8,659,034 B2	2/2014	Baretz et al.	D762,906 S	8/2016	Jeswani et al.
D700,991 S	3/2014	Johnson et al.	D764,079 S	8/2016	Wu
D701,175 S	3/2014	Baldwin et al.	9,404,639 B2	8/2016	Bailey et al.
D701,466 S	3/2014	Clifford et al.	9,417,506 B1	8/2016	Tirosh
8,672,518 B2	3/2014	Boomgaarden et al.	9,423,110 B1	8/2016	Newton et al.
D702,867 S	4/2014	Kim et al.	D766,185 S	9/2016	Hagarty
D703,843 S	4/2014	Cheng	D767,199 S *	9/2016	Wronski ..... D26/142
8,684,569 B2	4/2014	Pickard et al.	9,447,917 B1	9/2016	Wronski et al.
8,696,158 B2	4/2014	Santiago et al.	9,447,953 B2	9/2016	Lawlor
D705,472 S	5/2014	Huh	D768,325 S	10/2016	Xu
D705,481 S	5/2014	Zhang et al.	D768,326 S	10/2016	Guzzini
8,727,582 B2	5/2014	Brown et al.	D769,501 S	10/2016	Jeswani et al.
D708,381 S	7/2014	Rashidi	D770,065 S	10/2016	Tittle
8,777,449 B2	7/2014	Ven et al.	D770,076 S *	10/2016	Li ..... D26/89
D710,529 S	8/2014	Lopez et al.	9,476,552 B2	10/2016	Myers et al.
8,801,217 B2	8/2014	Oehle et al.	9,488,324 B2	11/2016	Shum et al.
8,820,985 B1	9/2014	Tam et al.	D774,676 S	12/2016	Ng
8,833,013 B2	9/2014	Harman	D776,324 S	1/2017	Gierl et al.
8,845,144 B1	9/2014	Davies et al.	D777,967 S	1/2017	Redfern
D714,989 S	10/2014	Rowlette, Jr. et al.	9,534,751 B2	1/2017	Maglica et al.
8,870,426 B2	10/2014	Biebl et al.	D778,241 S	2/2017	Holbrook et al.
8,888,332 B2	11/2014	Martis et al.	D778,484 S	2/2017	Guzzini
8,890,414 B2	11/2014	Rowlette, Jr. et al.	D779,100 S	2/2017	Redfern
D721,845 S	1/2015	Lui et al.	9,581,302 B2	2/2017	Danesh
8,926,133 B2	1/2015	Booth	9,583,926 B2 *	2/2017	Ye ..... H02G 3/125
8,939,418 B2	1/2015	Green et al.	9,599,315 B1	3/2017	Harpenau et al.
D722,296 S	2/2015	Taylor	9,605,842 B1	3/2017	Davis
			9,605,910 B2	3/2017	Swedberg et al.
			D785,228 S	4/2017	Guzzini
			D786,472 S	5/2017	Redfern
			D786,473 S	5/2017	Dean

(56)

References Cited

U.S. PATENT DOCUMENTS

D786,474 S	5/2017	Fujisawa	D901,745 S	11/2020	Yang
D788,330 S	5/2017	Johnson et al.	D902,871 S	11/2020	Danesh et al.
D790,102 S	6/2017	Guzzini	D903,605 S	12/2020	Danesh et al.
9,673,597 B2	6/2017	Lee	D905,327 S	12/2020	Williams et al.
9,689,541 B2	6/2017	Wronski	D907,284 S	1/2021	Danesh et al.
D791,709 S	7/2017	Holton	D910,223 S	2/2021	Cohen
D791,711 S	7/2017	Holton	10,975,570 B2 *	4/2021	Shen ..... F21V 21/048
D791,712 S	7/2017	Holton	10,982,829 B2	4/2021	Danesh
9,696,021 B2 *	7/2017	Wronski ..... F21V 21/048	11,022,259 B2	6/2021	Bailey et al.
9,702,516 B1	7/2017	Vasquez et al.	11,028,982 B2	6/2021	Danesh
D795,820 S	8/2017	Wengreen	11,047,538 B2	6/2021	Danesh et al.
9,732,904 B1 *	8/2017	Wronski ..... F21V 21/14	D924,467 S	7/2021	Danesh et al.
9,732,947 B1	8/2017	Christ et al.	D925,109 S	7/2021	Danesh et al.
9,739,464 B2	8/2017	Wronski	11,060,705 B1	7/2021	Danesh et al.
9,791,111 B1	10/2017	Huang et al.	11,067,231 B2	7/2021	Lotfi et al.
9,797,562 B2	10/2017	Dabiet et al.	D927,430 S	8/2021	Cohen et al.
9,803,839 B2	10/2017	Visser et al.	11,085,597 B2	8/2021	Danesh
D805,660 S	12/2017	Creasman et al.	11,118,768 B2	9/2021	Danesh
D805,881 S *	12/2017	Nehls ..... D8/381	D934,665 S *	11/2021	Cronkhite ..... D8/381
9,854,642 B2	12/2017	Kashani	D939,134 S	12/2021	Danesh et al.
D809,176 S	1/2018	Partington	D940,545 S *	1/2022	Tanner ..... D8/381
9,863,619 B2	1/2018	Mak	11,231,154 B2	1/2022	Kopitzke et al.
D809,465 S	2/2018	Keirstead	D944,212 S	2/2022	Peng et al.
9,903,569 B2	2/2018	O'Brien et al.	11,242,983 B2	2/2022	Danesh
9,945,548 B2	4/2018	Williams et al.	11,255,497 B2	2/2022	Danesh
9,964,266 B2	5/2018	Danesh	2002/0172047 A1	11/2002	Ashley
D819,879 S *	6/2018	Oudina ..... D26/142	2003/0006353 A1	1/2003	Dinh et al.
D820,494 S	6/2018	Cohen	2003/0016532 A1	1/2003	Reed
9,995,441 B2	6/2018	Power et al.	2003/0021104 A1	1/2003	Tsao
10,006,613 B2 *	6/2018	Oudina ..... F21V 21/04	2003/0161153 A1	8/2003	Patti
D824,494 S	7/2018	Martins et al.	2004/0001337 A1	1/2004	Defouw et al.
10,041,638 B2	8/2018	Vasquez et al.	2004/0120141 A1	6/2004	Beadle
10,054,274 B2	8/2018	Athalye et al.	2004/0156199 A1	8/2004	Rivas et al.
D827,903 S	9/2018	Wu	2005/0078474 A1	4/2005	Whitfield
10,072,805 B2	9/2018	Bailey	2005/0121215 A1	6/2005	Halbert
D832,218 S	10/2018	Wronski et al.	2005/0225966 A1	10/2005	Hartmann et al.
D833,977 S	11/2018	Danesh et al.	2005/0227536 A1	10/2005	Gamache et al.
10,125,959 B2	11/2018	Cohen	2005/0231962 A1	10/2005	Koba et al.
10,139,059 B2	11/2018	Danesh	2005/0237746 A1	10/2005	Yiu
D834,928 S *	12/2018	Lu ..... D8/381	2006/0005988 A1	1/2006	Jorgensen
D836,976 S	1/2019	Reese et al.	2006/0158873 A1	7/2006	Newbold et al.
10,244,607 B1	3/2019	Kashani	2006/0198126 A1	9/2006	Jones
10,247,390 B1	4/2019	Kopitzke et al.	2006/0215408 A1	9/2006	Lee
D848,375 S	5/2019	Danesh et al.	2006/0221620 A1	10/2006	Thomas
10,281,131 B2	5/2019	Cohen	2006/0237601 A1	10/2006	Rinderer
10,295,163 B1	5/2019	Cohen	2006/0243877 A1	11/2006	Rippel
D850,695 S	6/2019	Dabiet et al.	2006/0250788 A1	11/2006	Hodge et al.
D851,046 S	6/2019	Peng et al.	2006/0262536 A1	11/2006	Nevers
10,408,395 B2	9/2019	Danesh	2006/0262545 A1	11/2006	Pieprgras et al.
10,408,396 B2	9/2019	Wronski et al.	2007/0012847 A1	1/2007	Tai
10,408,436 B2	9/2019	Wronski et al.	2007/0035951 A1	2/2007	Tseng
D863,661 S	10/2019	Tian et al.	2007/0121328 A1	5/2007	Mondloch et al.
D864,877 S	10/2019	Danesh	2007/0131827 A1	6/2007	Nevers et al.
D867,653 S	11/2019	Gorman	2007/0185675 A1	8/2007	Papamichael et al.
10,488,000 B2	11/2019	Danesh et al.	2007/0200039 A1	8/2007	Petak
10,541,522 B2 *	1/2020	Lalancette ..... H02G 3/381	2007/0206374 A1	9/2007	Petrakis et al.
10,551,044 B2	2/2020	Peng et al.	2008/0002414 A1	1/2008	Miletich et al.
10,563,850 B2	2/2020	Danesh	2008/0019138 A1	1/2008	Otte et al.
D877,957 S	3/2020	Kopitzke, IV	2008/0068847 A1	3/2008	Bedard
10,591,120 B2	3/2020	Bailey et al.	2008/0112168 A1	5/2008	Pickard et al.
10,609,785 B1	3/2020	Fardadi et al.	2008/0112170 A1	5/2008	Trott
D880,733 S	4/2020	Lo et al.	2008/0112171 A1	5/2008	Patti et al.
D883,562 S	5/2020	Hu	2008/0137347 A1	6/2008	Trott et al.
D885,648 S	5/2020	Zeng	2008/0165545 A1	7/2008	O'Brien
D885,649 S	5/2020	McLaughlin, III et al.	2008/0170404 A1	7/2008	Steer et al.
10,663,127 B2	5/2020	Danesh et al.	2008/0186718 A1	8/2008	Magisano et al.
10,663,153 B2	5/2020	Nikooyan et al.	2008/0224008 A1	9/2008	Dal Ponte et al.
D888,313 S	6/2020	Xie et al.	2008/0232116 A1	9/2008	Kim
10,683,994 B2	6/2020	Wronski et al.	2008/0247181 A1	10/2008	Dixon
10,684,003 B2	6/2020	Wronski et al.	2008/0285271 A1	11/2008	Roberge et al.
D890,410 S	7/2020	Stanford et al.	2009/0003009 A1	1/2009	Tessnow et al.
10,704,745 B2	7/2020	Sherry et al.	2009/0034261 A1	2/2009	Grove
10,753,558 B2	8/2020	Danesh	2009/0080189 A1	3/2009	Wegner
10,816,148 B2	10/2020	Danesh	2009/0086484 A1	4/2009	Johnson
D901,398 S	11/2020	Danesh et al.	2009/0097262 A1	4/2009	Zhang et al.
			2009/0135613 A1	5/2009	Peng
			2009/0141500 A1	6/2009	Peng
			2009/0141506 A1	6/2009	Lan et al.
			2009/0141508 A1	6/2009	Peng

(56)

## References Cited

## U.S. PATENT DOCUMENTS

2009/0147517	A1	6/2009	Li	2013/0301252	A1	11/2013	Hussell et al.
2009/0161356	A1	6/2009	Negley et al.	2013/0322062	A1	12/2013	Danesh
2009/0237924	A1	9/2009	Ladewig	2013/0322084	A1	12/2013	Ebisawa
2009/0280695	A1	11/2009	Sekela et al.	2013/0335980	A1	12/2013	Nakasuji et al.
2009/0283292	A1	11/2009	Lehr	2014/0029262	A1	1/2014	Maxik et al.
2009/0290343	A1	11/2009	Brown et al.	2014/0036497	A1	2/2014	Hussell et al.
2010/0002320	A1	1/2010	Minano et al.	2014/0049957	A1	2/2014	Goelz et al.
2010/0014282	A1	1/2010	Danesh	2014/0063776	A1	3/2014	Clark et al.
2010/0033095	A1	2/2010	Sadwick	2014/0071679	A1	3/2014	Booth
2010/0061108	A1	3/2010	Zhang et al.	2014/0071687	A1	3/2014	Tickner et al.
2010/0110690	A1	5/2010	Hsu et al.	2014/0140490	A1	5/2014	Roberts et al.
2010/0110698	A1	5/2010	Harwood et al.	2014/0063818	A1	6/2014	Randolph et al.
2010/0110699	A1	5/2010	Chou	2014/0233246	A1	8/2014	Lafreniere et al.
2010/0148673	A1	6/2010	Stewart et al.	2014/0254177	A1	9/2014	Danesh
2010/0149822	A1	6/2010	Cogliano et al.	2014/0268836	A1	9/2014	Thompson
2010/0155497	A1	6/2010	Hagaman	2014/0268869	A1	9/2014	Blessitt et al.
2010/0165643	A1	7/2010	Russo et al.	2014/0299730	A1	10/2014	Green et al.
2010/0244709	A1	9/2010	Steiner et al.	2014/0313775	A1	10/2014	Myers et al.
2010/0246172	A1	9/2010	Liu	2014/0321122	A1	10/2014	Domagala et al.
2010/0259919	A1	10/2010	Khazi et al.	2014/0347848	A1	11/2014	Pisavadia et al.
2010/0270903	A1	10/2010	Jao et al.	2015/0009676	A1	1/2015	Danesh
2010/0277905	A1	11/2010	Janik et al.	2015/0029732	A1	1/2015	Hatch
2010/0284185	A1	11/2010	Ngai	2015/0078008	A1	3/2015	He
2010/0302778	A1	12/2010	Dabiet et al.	2015/0085500	A1	3/2015	Cooper et al.
2010/0328956	A1	12/2010	Zhang	2015/0092449	A1	4/2015	Demuyne et al.
2011/0043040	A1	2/2011	Porter et al.	2015/0131301	A1	5/2015	Ho
2011/0063831	A1	3/2011	Cook	2015/0138779	A1	5/2015	Livesay et al.
2011/0068687	A1	3/2011	Takahasi et al.	2015/0153635	A1	6/2015	Chen et al.
2011/0069499	A1	3/2011	Trott et al.	2015/0184837	A1	7/2015	Zhang et al.
2011/0080750	A1	4/2011	Jones et al.	2015/0198324	A1	7/2015	O'Brien et al.
2011/0116276	A1	5/2011	Okamura et al.	2015/0219317	A1	8/2015	Gatof et al.
2011/0121756	A1	5/2011	Thomas et al.	2015/0233556	A1	8/2015	Danesh
2011/0134634	A1	6/2011	Gingrich, III et al.	2015/0241039	A1	8/2015	Fryzek
2011/0134651	A1	6/2011	Berman	2015/0263497	A1	9/2015	Korcz et al.
2011/0140633	A1	6/2011	Archenhold	2015/0276185	A1	10/2015	Bailey et al.
2011/0170294	A1	7/2011	Mier-Langner et al.	2015/0308662	A1	10/2015	Vice et al.
2011/0194299	A1	8/2011	Crooks et al.	2015/0345761	A1	12/2015	Lawlor
2011/0216534	A1	9/2011	Tickner et al.	2015/0362159	A1	12/2015	Ludyjan
2011/0226919	A1	9/2011	Fryzek et al.	2016/0084488	A1	3/2016	Wu et al.
2011/0255292	A1	10/2011	Shen	2016/0209007	A1	7/2016	Belmonte et al.
2011/0267828	A1	11/2011	Bazydola et al.	2016/0230969	A1	8/2016	Pelletier et al.
2011/0285314	A1	11/2011	Carney et al.	2016/0238225	A1	8/2016	Doust
2012/0020104	A1	1/2012	Biebl et al.	2016/0308342	A1	10/2016	Witherbee et al.
2012/0074852	A1	3/2012	Delnoij	2016/0312987	A1	10/2016	Danesh
2012/0106176	A1	5/2012	Lopez et al.	2016/0348860	A1	12/2016	Bailey et al.
2012/0113642	A1	5/2012	Catalano	2016/0348861	A1	12/2016	Bailey et al.
2012/0140442	A1	6/2012	Woo et al.	2016/0366738	A1	12/2016	Boulanger et al.
2012/0140465	A1	6/2012	Rowlette, Jr. et al.	2017/0003007	A1	1/2017	Wronski
2012/0162994	A1	6/2012	Wasniewski et al.	2017/0045213	A1	2/2017	Williams et al.
2012/0182744	A1	7/2012	Santiago et al.	2017/0059135	A1	3/2017	Jones
2012/0188762	A1	7/2012	Joung et al.	2017/0138576	A1	5/2017	Peng et al.
2012/0243237	A1	9/2012	Toda et al.	2017/0138581	A1	5/2017	Doust
2012/0250321	A1	10/2012	Blincoe et al.	2017/0167672	A1	6/2017	Stauner et al.
2012/0268688	A1	10/2012	Sato et al.	2017/0167699	A1	6/2017	Schubert et al.
2012/0287625	A1	11/2012	Macwan et al.	2017/0198896	A1	7/2017	May
2012/0305868	A1	12/2012	Callahan et al.	2017/0284616	A1	10/2017	Coakley et al.
2012/0314429	A1	12/2012	Plunk	2017/0307188	A1	10/2017	Oudina et al.
2013/0009552	A1	1/2013	Page	2018/0112857	A1	4/2018	Wronski et al.
2013/0010476	A1	1/2013	Pickard et al.	2018/0119907	A1	5/2018	O'Brien et al.
2013/0016864	A1	1/2013	Ivey et al.	2018/0142871	A1	5/2018	Morales
2013/0033872	A1	2/2013	Randolph et al.	2018/0216809	A1	8/2018	Cohen
2013/0050994	A1	2/2013	Pieper	2018/0224095	A1	8/2018	Cohen
2013/0051012	A1	2/2013	Oehle et al.	2018/0283677	A1	10/2018	Cohen
2013/0077307	A1	3/2013	Yamamoto	2019/0032874	A1	1/2019	Bonnetto et al.
2013/0083529	A1	4/2013	Gifford	2019/0041050	A1	2/2019	Cairns et al.
2013/0141913	A1	6/2013	Sachsenweger	2019/0049080	A1	2/2019	Danesh
2013/0155681	A1	6/2013	Nall et al.	2019/0063701	A1	2/2019	Lofti et al.
2013/0163254	A1	6/2013	Chang et al.	2019/0063724	A1	2/2019	Vice et al.
2013/0170232	A1	7/2013	Park et al.	2019/0093836	A1	3/2019	Danesh
2013/0170233	A1	7/2013	Nezu et al.	2019/0249852	A1	8/2019	Kim
2013/0227908	A1	9/2013	Gulbrandsen et al.	2020/0182420	A1	6/2020	Cohen et al.
2013/0258677	A1	10/2013	Fryzek et al.	2020/0291652	A1	9/2020	Shen
2013/0265750	A1	10/2013	Pickard et al.	2020/0355334	A1	11/2020	Shen et al.
2013/0271989	A1	10/2013	Hussell et al.	2020/0393118	A1	12/2020	Danesh et al.
2013/0294084	A1	11/2013	Kathawate et al.	2021/0010647	A1	1/2021	Danesh et al.
				2021/0010663	A1	1/2021	Nikooyan et al.
				2021/0033268	A1	2/2021	Danesh
				2021/0080081	A1	3/2021	Cohen
				2021/0080084	A1	3/2021	Danesh et al.

(56)

References Cited

U.S. PATENT DOCUMENTS

2021/0222845 A1 7/2021 Kopitzke et al.  
 2021/0254812 A1 8/2021 Danesh et al.  
 2021/0364139 A1 11/2021 Danesh  
 2022/0018522 A1 1/2022 Kopitzke et al.  
 2022/0018523 A1\* 1/2022 Vinh ..... F21V 21/22  
 2022/0018525 A1 1/2022 Danesh  
 2022/0042664 A1 2/2022 Lotfi et al.  
 2022/0049841 A1\* 2/2022 Young ..... F21V 21/044

FOREIGN PATENT DOCUMENTS

CA 2691480 C 4/2012  
 CA 2734369 A1 10/2013  
 CA 2561459 A1 11/2013  
 CA 2815067 11/2013  
 CA 2848289 A1 10/2014  
 CA 2998173 7/2018  
 CN 2182475 Y 11/1994  
 CN 2406574 Y 11/2000  
 CN 201059503 Y 5/2008  
 CN 201259125 Y 6/2009  
 CN 101608781 A 12/2009  
 CN 101859057 A 10/2010  
 CN 201636626 U 11/2010  
 CN 102062373 A 5/2011  
 CN 202014067 U 10/2011  
 CN 202392473 U 8/2012  
 CN 202733693 U 2/2013  
 CN 103307518 A 9/2013  
 CN 103322476 A 9/2013  
 CN 203202661 U 9/2013  
 CN 203215483 U 9/2013  
 CN 101498411 B 11/2013  
 CN 203273663 U 11/2013  
 CN 203297980 U 11/2013  
 CN 203628464 U 12/2013  
 CN 203641919 U 6/2014  
 CN 204120631 U 1/2015  
 CN 204300818 U 4/2015  
 CN 104654142 A 5/2015  
 CN 204513161 U 7/2015  
 CN 204611541 U 9/2015  
 CN 204786225 U 11/2015  
 CN 204829578 U 12/2015  
 CN 103712135 B 4/2016  
 CN 205606362 U 9/2016  
 CN 206130742 U 4/2017  
 CN 103154606 B 5/2017  
 CN 206222112 U 6/2017  
 CN 304220113 7/2017  
 CN 107013845 A 8/2017  
 CN 107084343 A 8/2017  
 DE 9109828 U1 2/1992  
 DE 199 47 208 5/2001  
 EP 1 589 289 10/2005  
 EP 1 672 155 A1 6/2006  
 EP 1688663 8/2006  
 EP 2 095 938 A1 2/2008  
 EP 2 306 072 A1 4/2011  
 EP 2 453 169 A2 5/2012  
 EP 2 193 309 B1 7/2012  
 EP 2 735 787 A1 5/2014  
 EP 3 104 024 A1 12/2016  
 GB 2325728 12/1998  
 GB 2427020 A 12/2006  
 GB 2466875 7/2010  
 GB 2471929 1/2014  
 GB 2509772 A 7/2014  
 JP H02113002 U 9/1990  
 JP 2007091052 A 4/2007  
 JP 2007265961 A 10/2007  
 JP 2011060450 A2 3/2011  
 JP 2012064551 A2 3/2012  
 JP 2015002027 A2 1/2015  
 JP 2015002028 A2 1/2015

JP 2016219335 A 12/2016  
 JP 2017107699 A2 6/2017  
 JP D1658938 4/2020  
 KR 1020110008796 A 1/2011  
 KR 1020120061625 A 6/2012  
 MX 2011002947 A 9/2011  
 PH 3-2018-658-0001 7/2018  
 TW 474382 U 1/2002  
 WO WO D038920-001 1/1997  
 WO WO 2013/128896 A1 9/2013  
 WO WO 2014/015656 1/2014  
 WO WO 2015/000212 A1 1/2015  
 WO WO 2016152166 A2 9/2016

OTHER PUBLICATIONS

Kwikbrace® New Construction Braces for Lighting Fixtures or Ceiling Fans 1½ in. Depth. Hubbel. Accessed at <https://hubbellcdn.com/specsheet/926.pdf> on Jun. 27, 2019. 1 page.  
 IC1JB Housing 4" IC-Rated New Construction Junction Box Housing. AcuityBrands. Accessed at <https://www.acuitybrands.com/en/products/detail/845886/juno/ic1jb-housing/4-ic-rated-new-construction-junction-box-housing> on Jun. 27, 2019.  
 Ex-Parte Quayle Action mailed Jun. 27, 2019 from U.S. Appl. No. 29/683,730, 5 pages.  
 Notice of Allowance dated Jul. 31, 2019 from U.S. Appl. No. 15/167,682, 7 pages.  
 Supplemental Notice of Allowance dated Aug. 5, 2019 from U.S. Appl. No. 15/947,065, 2 pages.  
 International Search Report and Written Opinion in International Patent Application No. PCT/US19/32281 dated Aug. 2, 2019, 18 pages.  
 Notice of Allowance dated Sep. 11, 2019 from U.S. Appl. No. 29/653,142, 6 pages.  
 Notice of Allowance dated Sep. 19, 2019 from U.S. Appl. No. 16/016,040, 7 pages.  
 Corrected Notice of Allowance dated Sep. 27, 2019 from U.S. Appl. No. 15/167,682, 2 pages.  
 Final Office Action dated Sep. 27, 2019 from U.S. Appl. No. 16/200,393, 34 pages.  
 Notice of Allowance dated Feb. 15, 2019 from U.S. Appl. No. 15/947,065, 9 pages.  
 Notice of Allowance dated Oct. 1, 2019 from U.S. Appl. No. 14/942,937, 7 pages.  
 Final Office Action dated Oct. 3, 2019 from U.S. Appl. No. 29/678,482, 6 pages.  
 Delhi Rehab & Nursing Facility ELM16-70884. Vertex Innovative Solutions Feb. 25, 2016. 89 pages.  
 SlimSurface surface mount downlighting. Philips Lightolier 2018. 8 pages.  
 Be seen in the best light. Lightolier by signify. Comprehensive 2019 Lighting Catalog. 114 pages.  
 Corrected Notice of Allowance dated Oct. 10, 2019 from U.S. Appl. No. 16/016,040, 2 pages.  
 Cree® LMR2 LED Module. Product Family Data Sheet Cree 2011. 3 pages.  
 Notice of Allowance dated Oct. 16, 2019 from U.S. Appl. No. 15/132,875, 12 pages.  
 International Search Report and Written Opinion in International Patent Application No. PCT/US2019/036477 dated Oct. 17, 2019, 15 pages.  
 ML56 LED Lighting System 600 / 900 / 1200 Series Halo. Cooper Lighting Brochure 2015. Accessed at <https://images.homedepot-static.com/catalog/pdfImages/06/06d28f93-4bf6-45be-a35a-a0239606f227.pdf>. 41 pages.  
 Switch and Outlet Boxes and Covers Brochure. Appelton 2010. 77 pages.  
 Non-Final Office Action dated Dec. 30, 2019 from U.S. Appl. No. 16/653,497, 8 pages.  
 Notice of Allowance dated Feb. 5, 2020 from U.S. Appl. No. 15/901,738, 8 pages.  
 Notice of Allowance dated Feb. 5, 2020 from U.S. Appl. No. 29/678,482, 13 pages.

(56)

**References Cited**

## OTHER PUBLICATIONS

- Maxim Lighting Wafer Trifold Brochure LMXBRO1711 2017. Accessed at <https://www.maximlighting.com/Upload/download/brochure/pdf/LMXBRO1711.pdf> on Feb. 13, 2020. 2 pages.
- Maxim Convert Fixture. LMXCAT1805 Maxim Main Catalog 2018 p. 639.
- Maxim Wafer. LMXCAT1805 Maxim Main Catalog 2018 pp. 636-638.
- Maxim Lighting Trim Trifold LMXBRO1905 2019. Accessed at <https://www.maximlighting.com/Upload/download/brochure/pdf/LMXBRO1905.pdf> on Feb. 13, 2020. 2 pages.
- International Search Report and Written Opinion in International Patent Application No. PCT/US2019/054220 dated Feb. 24, 2020, 23 pages.
- Final Office Action dated Mar. 17, 2020 for U.S. Appl. No. 29/653,142, 13 pages.
- LED Book Price Guide 2012. DMF Light. Issued Jun. 26, 2013. 3 pages.
- DLER411 4" Recessed LED Retrofit Module. DMF Light. Issued Jun. 15, 2011. 1 page.
- DLEI411 4" Recessed LED New Construction, IC. DMF Light. Issued Nov. 30, 2011. 1 page.
- DLEIR411 4" Recessed LED Remodel, IC. DMF Light. Issued Jun. 15, 2011. 1 page.
- 3 & 4" DLE Series LED Sample Case Now Available. DMF Light. Issued Jan. 6, 2012. 1 page.
- DLEI3 3" Recessed LED New Construction, IC. DMF Light. Issued Nov. 30, 2011. 2 pages.
- Ridgway-Barnes, SlimSurface LED Downlight: One of the thinnest LED surface mount downlights in the market. Philips Lighting Blog. Oct. 28, 2014. Accessed at <http://applications.nam.lighting.philips.com/blog/index.php/2014/10/28/slimsurface-led-downlight-one-of-the-thinnest-led-surface-mount-downlights-in-the-market/>. 3 pages.
- SlimSurface LED S5R, S7R & S10R Round 5", 7" and 10" Apertures. Lightolier by Signify. Nov. 2018. 9 pages.
- Non-Final Office Action dated Apr. 2, 2020 for U.S. Appl. No. 16/522,275, 21 pages.
- Notice of Allowance dated May 18, 2020 from U.S. Appl. No. 15/901,738, 7 pages.
- Non-Final Office Action dated May 20, 2020 for U.S. Appl. No. 15/688,266, 6 pages.
- Non-Final Office Action dated May 26, 2020 for U.S. Appl. No. 16/719,361, 10 pages.
- Maxim Lighting International, "Wafer LED 7" RD 3000K Wall/Flush Mount", undated.
- Maxim Lighting International, "Convert LED Flush Mount", undated.
- Maxim Lighting International, "Views of the Wafer Flush Mount", undated.
- Maxim Lighting International, "Product/Drawing Specification Sheet", undated.
- International Search Report and Written Opinion in PCT/US2020/017331 dated Jun. 22, 2020, 16 pages.
- Taiwan Office Action and translation thereof dated Jun. 12, 2020 from Taiwan Application No. 108116564, 8 pages.
- Access Lighting Installation Instructions. No. 20870LEDD/20871LEDD/20872LEDD. Dec. 16, 2019. 2 pages.
- Model No. 20870LEDD-WH/ACR Infinite Specification Sheet. Access Lighting. Apr. 9, 2020. 1 page.
- Notice of Allowance dated Apr. 9, 2020 from U.S. Appl. No. 16/653,497, 7 pages.
- Notice of Allowance dated Jul. 10, 2020 from U.S. Appl. No. 29/694,475, 6 pages.
- Notice of Allowance dated Jul. 20, 2020 from U.S. Appl. No. 29/648,046, 5 pages.
- Octagon Concrete Box Cover with (3) ½ in. & (2) ¾ in. Conduit Knockouts. Garvin. Accessed at [https://www.garvinindustries.com/covers-and-device-rings/concrete-slab-box-covers-adaptor-rings/flat-covers-all-styles/cbp?gclid=Cj0KCQjw9b\\_4BRcMARIsADMUIypJc0K80UHdDTI9C5m4BDzR3U87PRYV1NdQIBFxEWQ21\\_3otTCTqEkaAi\\_DEALw\\_wcB](https://www.garvinindustries.com/covers-and-device-rings/concrete-slab-box-covers-adaptor-rings/flat-covers-all-styles/cbp?gclid=Cj0KCQjw9b_4BRcMARIsADMUIypJc0K80UHdDTI9C5m4BDzR3U87PRYV1NdQIBFxEWQ21_3otTCTqEkaAi_DEALw_wcB) on Jul. 20, 2020. 1 page.
- Notice of Allowance dated Jul. 28, 2020 from U.S. Appl. No. 16/719,361, 8 pages.
- Notice of Allowance dated Jul. 29, 2020 from U.S. Appl. No. 16/522,275, 8 pages.
- Non-Final Office Action dated Aug. 19, 2020 for U.S. Appl. No. 16/886,365, 16 pages.
- Notice of Allowance dated Sep. 8, 2020 from U.S. Appl. No. 29/678,482, 5 pages.
- Corrected Notice of Allowance dated Sep. 11, 2020 from U.S. Appl. No. 16/719,361, 2 pages.
- Canadian Office Action in Application No. 2931588 dated Aug. 13, 2020, 5 pages.
- Corrected Notice of Allowance dated Sep. 14, 2020 from U.S. Appl. No. 16/522,275, 2 pages.
- Notice of Allowance dated Sep. 22, 2020 from U.S. Appl. No. 29/683,730, 6 pages.
- Notice of Allowance dated Sep. 22, 2020 from U.S. Appl. No. 29/653,142, 6 pages.
- Notice of Allowance dated Oct. 27, 2020 from U.S. Appl. No. 29/648,046, 5 pages.
- Notice of Allowance dated Oct. 27, 2020 from U.S. Appl. No. 29/694,475, 5 pages.
- Notice of Allowance dated Nov. 10, 2020 from U.S. Appl. No. 29/688,143, 6 pages.
- Notice of Allowance dated Nov. 10, 2020 from U.S. Appl. No. 29/688,172, 6 pages.
- Non-Final Office Action dated Nov. 30, 2020 from U.S. Appl. No. 17/000,702, 7 pages.
- Notice of Allowance dated Dec. 2, 2020 from U.S. Appl. No. 29/746,262, 6 pages.
- International Search Report and Written Opinion in PCT/US2020/050767 dated Dec. 9, 2020, 25 pages.
- Non-Final Office Action dated Dec. 16, 2020 from U.S. Appl. No. 17/080,080, 28 pages.
- Canadian Office Action in Application No. 2941051 dated Dec. 8, 2020, 5 pages.
- Final Office Action dated Jan. 11, 2021 from U.S. Appl. No. 15/688,266, 7 pages.
- Non-Final Office Action dated Jan. 11, 2021 from U.S. Appl. No. 16/725,606, 7 pages.
- Non-Final Office Action dated Jan. 13, 2021 from U.S. Appl. No. 17/085,636, 14 pages.
- Notice of Allowance dated Jan. 15, 2021 from U.S. Appl. No. 17/000,702, 7 pages.
- Notice of Allowance dated Jan. 22, 2021 from U.S. Appl. No. 17/080,080, 14 pages.
- Notice of Allowance dated Jan. 22, 2021 from U.S. Appl. No. 16/886,365, 7 pages.
- Final Office Action dated Feb. 5, 2021 from U.S. Appl. No. 16/200,393, 7 pages.
- "Electrical Boxes" accessed at <http://electrical-inspector.blogspot.com/2013/06/electrical-boxes.html> Jun. 22, 2013 retrieved from Wayback Machine Archive.org on Jan. 25, 2021. 12 pages.
- "Electrical Boxes Volume and Fill Calculations" accessed at <http://electrical-inspector.blogspot.com/2013/06/electrical-boxes-Volume-and-Fill-Calculations.html> Jun. 22, 2013 retrieved from Wayback Machine Archive.org on Jan. 25, 2021. 8 pages.
- U.S. Appl. No. 61/881,162, filed Sep. 23, 2013. Priority application to US Publication No. 2015/0085500 to Cooper et al. 31 pages.
- Non-Final Office Action dated Jan. 19, 2021 from U.S. Appl. No. 17/099,650, 15 pages.
- Supplemental Notice of Allowance dated Mar. 10, 2021 from U.S. Appl. No. 16/886,365, 2 pages.
- Notice of Allowance dated Apr. 6, 2021 from U.S. Appl. No. 16/200,393, 11 pages.
- Non-Final Office Action dated Apr. 12, 2021 from U.S. Appl. No. 29/694,475, 11 pages.
- Notice of Allowance dated Apr. 13, 2021 from U.S. Appl. No. 16/725,606, 7 pages.
- Notice of Allowance dated Apr. 26, 2021 from U.S. Appl. No. 17/080,080, 11 pages.



(56)

## References Cited

## OTHER PUBLICATIONS

- Corrected Notice of Allowance dated Apr. 28, 2021 from U.S. Appl. No. 16/725,606, 2 pages.
- Notice of Allowance dated May 5, 2021 from U.S. Appl. No. 17/085,636, 8 pages.
- Notice of Allowance dated May 14, 2021 from U.S. Appl. No. 16/881,686, 8 pages.
- Notice of Allowance dated May 17, 2021 from U.S. Appl. No. 15/688,266, 9 pages.
- Notice of Allowance dated May 24, 2021 from U.S. Appl. No. 29/688,143, 6 pages.
- Notice of Allowance dated May 24, 2021 from U.S. Appl. No. 29/688,172, 6 pages.
- Notice of Allowance dated May 27, 2021 from U.S. Appl. No. 16/779,865, 9 pages.
- Notice of Allowance dated May 28, 2021 from U.S. Appl. No. 16/779,824, 11 pages.
- Notice of Allowance dated Jun. 1, 2021 from U.S. Appl. No. 16/719,361, 7 pages.
- Corrected Notice of Allowance dated Jun. 21, 2021 from U.S. Appl. No. 16/779,865, 3 pages.
- Non-Final Office Action dated Jul. 14, 2021 from U.S. Appl. No. 17/118,742, 11 pages.
- Chinese Office Action and English Translation Thereof in Chinese Patent Application No. 201880088009.9 dated Jun. 30, 2021, 18 pages.
- Notice of Allowance dated Jul. 21, 2021 from U.S. Appl. No. 17/318,13 pages.
- Docket Listing in Inter Partes Review of U.S. Pat. No. 9,964,266. *Docket Navigator AMP Plus, Inc. d/b/a Elco Lighting et al v. DMF, Inc.* PTAB-IPR2019-01094. Downloaded Mar. 25, 2020. 4 pages.
- Petition for Inter Partes Review of U.S. Pat. No. 9,964,266 Pursuant to 37 C.F.R. § 42.100 et seq. *AMP Plus Inc. dbd Elco Lighting v. DMF, INC.* PTAB-IPR2019-01500 filed Aug. 14, 2019. 99 pages.
- Docket Listing in Inter Partes Review of U.S. Pat. No. 9,964,266. *AMP Plus, Inc. d/b/a Elco Lighting et al v. DMF, Inc.* PTAB-IPR2019-01500. Downloaded Mar. 25, 2020. 3 pages.
- Docket Listing in Civil Action No. 2:18-cv-07090. *DMF, Inc. v. AMP Plus, Inc. d/b/a Elco Lighting et al* CDCA-2-18-cv-07090. Downloaded on Mar. 25, 2020. 39 pages.
- Civil Action No. 2:19-cv-4519. Complaint For Patent Infringement. *DMF, Inc. v. AMP Plus, Inc. d/b/a Elco Lighting.* 52 pages dated May 22, 2019. 23 pages.
- Docket Listing in Civil Action No. 2:19-cv-4519. *DMF Inc v. AMP Plus, Inc. d/b/a Elco Lighting et al* CDCA-2-19-cv-04519. Downloaded on Mar. 25, 2020. 3 pages.
- Decision Denying Institution of Inter Partes Review of U.S. Pat. No. 9,964,266 in IPR2019-01500 dated Mar. 17, 2020. 21 pages.
- Defendants' Notice of Prior Art Pursuant To 35 U.S.C. § 282 in Civil Action No. 2:18-cv-07090-CAS-GJS dated Feb. 28, 2020. 7 pages.
- Defendant AMP Plus, Inc.'s Opposition to DMF's Motion for Summary Judgement in Civil Action No. 2:18-cv-07090-CAS-GJS filed Feb. 10, 2020. 32 pages.
- Declaration of Eric Bretschneider, Ph.D In Support of Amp Plus, Inc.'s Opposition to Dmf, Inc.'s Motion for Partial Summary Judgment in Civil Action No. 2:18-cv-07090-CAS-GJS filed Feb. 10, 2020. 210 pages.
- Plaintiff DMF's Reply in Support Of Motion For Partial Summary Judgment in Civil Action No. 2:18-cv-07090-CAS-GJS filed Feb. 18, 2020. 33 pages.
- Declaration of James R. Benya In Support of Plaintiff DMF's Motion for Summary Judgment in Civil Action No. 2:18-cv-07090-CAS-GJS filed Feb. 3, 2020. 193 pages.
- Underwriters Laboratories Inc. Standard for Safely. UL 1598. Luminaires Jan. 11, 2020. 12 pages.
- Exceptional LED Lighting Technology Product Portfolio. LightingScience 2012. 11 pages.
- "Cree LMH2 LED Modules," Mouser Electronics. Sep. 9, 2012. 4 pages.
- Slim Line Disc. Eye LEDs Specification Sheet 2012. 2 pages.
- HiBay LED Heat Sink. Wakefield-vette. Dec. 11, 2017. 1 pages.
- Thermal Management of Cree® XLamp® LEDs. Cree Application Note. 2004. 19 pages.
- Imtra Marine Lighting Fall 2007 Catalog. 32 pages.
- Cree LMH2 LED Modules Product Family Data Sheet. Cree 2011-2014, 18 pages.
- Cree LMH2 LED Modules Design Guide. Cree 2011-2015, 23 pages.
- Brochure of Elco EL49A, EL49ICA, EL49RA modules. Elco Lighting Nov. 25, 2009. 1 page.
- Image of Elco E347/247 module identified by Elco in response to DMF's Request for Production in Civil Action No. 2:18-cv-07090-CAS-GJS on Aug. 28, 2019. 1 page.
- Screenshots from the Deposition of Brandon Cohen in Civil Action No. 2:18-cv-07090-CAS-GJS. Conducted Sep. 2, 2020. 8 pages.
- Defendant AMP Plus, Inc.'s Initial Disclosure and Designation of Expert Witnesses in Civil Action No. 2:19-CV-4519-CAS. 37 pages.
- Defendant AMP Plus, Inc. D/B/A Elco Lighting's Supplemental Responses to Plaintiff DMF, Inc.'s First Set of Interrogatories (Nos. 1-16) in Civil Action No. 2:19-CV-4519-CAS, Redacted. 13 pages.
- Final Written Decision in IPR2019-01094 dated Nov. 19, 2020, 58 pages.
- U.S. Appl. No. 15/637,742, filed Jun. 29, 2017, Kopitzke, IV.
- U.S. Appl. No. 15/688,266, filed Aug. 28, 2017, Lofli et al.
- U.S. Appl. No. 15/853,400, filed Dec. 22, 2017, Kashani.
- U.S. Appl. No. 15/901,738, filed Feb. 21, 2018, Danesh.
- U.S. Appl. No. 15/947,065, filed Apr. 6, 2018, Danesh.
- U.S. Appl. No. 16/016,040, filed Jun. 22, 2018, Danesh.
- U.S. Appl. No. 16/200,393, filed Nov. 26, 2018, Danesh.
- U.S. Appl. No. 29/638,259, filed Feb. 26, 2018, Danesh.
- U.S. Appl. No. 29/541,565, filed Oct. 5, 2015, Peng.
- U.S. Appl. No. 29/645,941, filed Apr. 30, 2018, Danesh et al.
- U.S. Appl. No. 29/653,142, filed Jun. 11, 2018, Danesh et al.
- U.S. Appl. No. 29/664,471, filed Sep. 25, 2018, Danesh et al.
- U.S. Appl. No. 29/678,478, filed Jan. 29, 2019, Danesh et al.
- U.S. Appl. No. 29/678,482, filed Jan. 29, 2019, Danesh et al.
- U.S. Appl. No. 29/683,730, filed Mar. 15, 2019, Danesh et al.
- U.S. Appl. No. 29/694,475, filed Jun. 11, 2019, Peng et al.
- "Advanced LED Solutions," Imtra Marine Lighting. 2011. 39 pages.
- "Cree LMH2 LED Module with TrueWhite Technology," Cree Product Family Data Sheet. 2011. 3 pages.
- "Cree LMH2 LED Modules Design Guide," Cree Product Design Guide. 2011. 20 pages.
- "Cree LMH2 LED Modules," Mouser Electronics. 2 pages.
- "LED Undercabinet Pocket Guide," Elco Lighting. 12 pages.
- "Membrane Penetrations in Fire-Resistance Rated Walls," [https://www.ul.com/wp-content/uploads/2014/04/ul\\_MembranePenetrations.pdf](https://www.ul.com/wp-content/uploads/2014/04/ul_MembranePenetrations.pdf), Issue 1, 2009, 2 pages.
- "Metallic and Non-metallic Outlet Boxes Used in Fire-rated Assembly," <https://iaeimagazine.org/magazine/2000/09/16/metallic-and-non-metallic-outlet-boxes-used-in-fire-rated-assembly/>, Sep. 16, 2000, 5 pages.
- "Metallic Outlet Boxes," UL 514A, Underwriters Laboratories, Inc., Feb. 16, 2004 (Title Page Reprinted Aug. 10, 2007), 106 pages.
- "Outlet Boxes for Use in Fire Rated Assemblies," [https://www.ul.com/wp-content/uploads/2014/04/UI\\_outletboxes.pdf](https://www.ul.com/wp-content/uploads/2014/04/UI_outletboxes.pdf), 2011, 2 pages.
- "Portland Bi-Color, Warm White/Red," item:ILIM30941. Imtra Marine Products. 2012. 3 pages.
- "Undercabinet Pucks, Xyris Mini LED Puck Light," Elco Lighting. Sep. 2018. 1 page.
- "Versi LED Mini Flush," Lithonia Lghting. 6 pages.
- <<https://www.zhagastandard.org/books/book18/>>, Mar. 2017, 5 pages.
- 2006 International Building Code, Section 712 Penetrations, 2006, 4 pages.
- 4" Octagon Concrete Boxes and Back Plates. Appleton. Accessed at [www.appletonelec.com](http://www.appletonelec.com) on May 6, 2019. 1 page.
- Acrich COB Zhaga Module, Product Description, Seoul Semiconductor, Nov. 2016, 39 pages.
- Bortz, J. C. et al., "Optimal design of a nonimaging TIR doublet lens for an illumination system using an LED source", Proc. SPIE 5529,

(56)

## References Cited

## OTHER PUBLICATIONS

- Nonimaging Optics and Efficient Illumination Systems, (Sep. 29, 2004); doi: 10.1117/12.562598; <https://doi.org/10.1117/12.562598>, 10 pages.
- BXUV.GuideInfo, Fire Resistance Ratings—ANSI/UL 263, UL Online Certifications Directory, last updated Nov. 3, 2016, 27 pages.
- Canadian Office Action dated Aug. 11, 2017 from Canadian Application No. 2,941,051, 4 pages.
- Canadian Office Action dated Dec. 23, 2013 from Canadian Application No. 2,778,581, 3 pages.
- Canadian Office Action dated Dec. 6, 2016 from Canadian Application No. 2,879,629, 3 pages.
- Canadian Office Action dated Feb. 1, 2016 from Canadian Application No. 2,879,486, 5 pages.
- Canadian Office Action dated Jun. 12, 2017 from Canadian Application No. 2,927,601, 4 pages.
- Canadian Office Action dated Mar. 22, 2016 from Canadian Application No. 2,879,629, 4 pages.
- Canadian Office Action dated Mar. 9, 2017 from Canadian Application No. 2,931,588, 5 pages.
- Carlson® Zip Box® Blue™ Switch and Outlet Boxes, Product Brochure, <http://www.carlonsales.com/brochures.php>, 2006, 22 pages.
- CEYY.GuideInfo, Outlet Boxes and Fittings Certified for Fire Resistance, UL Online Certifications Directory, last updated May 16, 2013, 2 pages.
- Civil Action No. 2:18-cv-07090. Complaint For Infringement And Unfair Competition. *DMF, Inc. v. AMP Plus, Inc. d/b/a Elco Lighting*. 52 pages. Dated Aug. 15, 2018.
- Cree LED Lamp Family Sales Sheet—Better light is beautiful light , Apr. 24, 2017, 2 pages.
- CS&E PCT Collaborative Search and Examination Pilot Upload Peer Contribution in International Patent Application No. PCT/US18/62868 dated Mar. 14, 2019, 61 pages.
- CS&E PCT Collaborative Search and Examination Pilot Upload Peer Contribution in International Patent Application No. PCT/US18/67614 dated Apr. 24, 2019, 53 pages.
- DME Series Installation Instructions, Oct. 18, 2011, 2 pages.
- DMF, Inc., “dmfLIGHTING: LED Recessed Downlighting,” DRD2 Product Brochure, Oct. 23, 2014, 50 pages.
- DMF, Inc., “dmfLIGHTING: LED Recessed Downlighting,” Product Catalog, Aug. 2012, 68 pages.
- DMF, Inc., “dmfLIGHTING: LED Recessed Lighting Solutions,” Info sheets, Mar. 15, 2012, 4 pages.
- Dross, O. et al., “Review of SMS design methods and real-world applications”, Proc. SPIE 5529, Nonimaging Optics and Efficient Illumination Systems, (Sep. 29, 2004); doi: 10.1117/12.561336; <https://doi.org/10.1117/12.561336>, 14 pages.
- Final Office Action dated Apr. 2, 2015 from U.S. Appl. No. 13/484,901, 13 pages.
- Final Office Action dated Apr. 27, 2016 from U.S. Appl. No. 14/184,601, 19 pages.
- Final Office Action dated Jan. 29, 2016 from U.S. Appl. No. 14/183,424, 21 pages.
- Final Office Action dated Jul. 26, 2017 from U.S. Appl. No. 14/184,601, 18 pages.
- Final Office Action dated Jun. 23, 2016 from U.S. Appl. No. 13/484,901, 18 pages.
- Final Office Action dated Jun. 6, 2019 from U.S. Appl. No. 15/688,266, 7 pages.
- Final Office Action dated Mar. 15, 2019 from U.S. Appl. No. 15/132,875, 15 pages.
- Halo, H7 LED Downlight Trims 49x Series, 6-inch LED Trims for Use with MI7x LED Modules, Cooper Lighting, ADV110422, rev. Aug. 12, 2011, 15 pages.
- Halo, Halo LED H4 H7 Collection, SustainabLEDesign, Cooper Lighting, (emphasis on p. 18 “H7 Collection LED Modules—Halo LED H7 Module Features,”) Mar. 28, 2012, 52 pages.
- Halo, LED Module ML706x, Cooper Lighting, General Installation for All Modules/p. 1; Tether Installation/pp. 2-3; Installation into Halo H750x Series LED—only (Non-Screw Based), Recessed Fixture, p. 4, Oct. 20, 2009, 4 pages.
- Imtra Marine Lighting 2008 Catalog. 40 pages.
- Imtra Marine Lighting 2009 Catalog. 32 pages.
- Imtra Marine Lighting Spring 2007 Catalog. 36 pages.
- International Search Report and Written Opinion in International Patent Application No. PCT/US18/39048 dated Dec. 14, 2018. 24 pages.
- International Search Report and Written Opinion in International Patent Application No. PCT/US18/62868 dated Mar. 14, 2019, 13 pages.
- International Search Report and Written Opinion in International Patent Application No. PCT/US18/67614 dated Apr. 25, 2019, 20 pages.
- International Search Report and Written Opinion in PCT/US2018/048357 dated Nov. 14, 2018, 13 pages.
- Medvedev, V. et al., “Uniform LED illuminator for miniature displays,” Proc. SPIE 3428, Illumination and Source Engineering, (Oct. 20, 1998); doi: 10.1117/12.327957; <https://doi.org/10.1117/12.327957>, 13 pages.
- Non-Final Office Action dated Apr. 12, 2018 for U.S. Appl. No. 29/638,259, 5 pages.
- Non-Final Office Action dated Apr. 30, 2010 from U.S. Appl. No. 12/173,232, 13 pages.
- Non-Final Office Action dated Apr. 4, 2019 from U.S. Appl. No. 29/678,482, 8 pages.
- Non-Final Office Action dated Dec. 15, 2016 from U.S. Appl. No. 14/184,601, 18 pages.
- Non-Final Office Action dated Dec. 5, 2018 from U.S. Appl. No. 14/942,937, 13 pages.
- Non-Final Office Action dated Feb. 7, 2019 from U.S. Appl. No. 16/200,393, 32 pages.
- Non-Final Office Action dated Feb. 6, 2018 from U.S. Appl. No. 15/167,682, 9 pages.
- Non-Final Office Action dated Jul. 20, 2015 from U.S. Appl. No. 14/184,601, 16 pages.
- Non-Final Office Action dated Jul. 24, 2018 from U.S. Appl. No. 29/638,259, 5 pages.
- Non-Final Office Action dated Jun. 11, 2019 from U.S. Appl. No. 15/901,738, 6 pages.
- Non-Final Office Action dated Jun. 2, 2015 from U.S. Appl. No. 14/183,424, 20 pages.
- Non-Final Office Action dated Jun. 25, 2018 for U.S. Appl. No. 29/541,565, 10 pages.
- Non-Final Office Action dated Mar. 15, 2010 from U.S. Appl. No. 12/100,148, 8 pages.
- Non-Final Office Action dated May 16, 2018 for U.S. Appl. No. 15/132,875, 18 pages.
- Non-Final Office Action dated May 17, 2017 from U.S. Appl. No. 14/183,424, 20 pages.
- Non-Final Office Action dated Oct. 16, 2014 from U.S. Appl. No. 13/484,901, 11 pages.
- Non-Final Office Action dated Oct. 24, 2018 for U.S. Appl. No. 15/688,266, 14 pages.
- Non-Final Office Action dated Sep. 15, 2015 from U.S. Appl. No. 13/484,901, 16 pages.
- Non-Final Office Action mailed Sep. 5, 2014 from U.S. Appl. No. 13/791,087, 8 pages.
- Non-Final Office Action dated Sep. 6, 2017 from U.S. Appl. No. 14/726,064, 8 pages.
- Notice of Allowance dated Apr. 1, 2019 from U.S. Appl. No. 15/167,682, 7 pages.
- Notice of Allowance dated Apr. 17, 2019 from U.S. Appl. No. 29/678,478, 7 pages.
- Notice of Allowance dated Apr. 8, 2019 from U.S. Appl. No. 29/653,142, 8 pages.
- Notice of Allowance dated Aug. 23, 2017 from Canadian Application No. 2,879,629, 1 page.
- Notice of Allowance dated Feb. 8, 2019 from U.S. Appl. No. 29/541,565, 5 pages.
- Notice of Allowance dated Jan. 16, 2015 from U.S. Appl. No. 29/467,026, 9 pages.

(56)

## References Cited

## OTHER PUBLICATIONS

- Notice of Allowance dated Jan. 2, 2019 from U.S. Appl. No. 29/541,565, 6 pages.
- Notice of Allowance dated Jan. 28, 2019 from U.S. Appl. No. 29/664,471, 8 pages.
- Notice of Allowance dated Jan. 30, 2015 from U.S. Appl. No. 13/791,087, 9 pages.
- Notice of Allowance dated Jun. 12, 2019 from U.S. Appl. No. 16/016,040, 8 pages.
- Notice of Allowance dated Mar. 24, 2016 from U.S. Appl. No. 14/247,149, 8 pages.
- Notice of Allowance dated Mar. 26, 2018 for U.S. Appl. No. 14/184,601, 10 pages.
- Notice of Allowance dated May 10, 2018 from U.S. Appl. No. 14/726,064, 7 pages.
- Notice of Allowance dated May 22, 2018 from U.S. Appl. No. 14/183,424, 9 pages.
- Notice of Allowance dated Nov. 27, 2018 from U.S. Appl. No. 15/167,682, 11 pages.
- Notice of Allowance dated Oct. 21, 2016 from U.S. Appl. No. 13/484,901, 7 pages.
- Notice of Allowance dated Oct. 4, 2018 from U.S. Appl. No. 15/947,065, 9 pages.
- Notice of Allowance dated Oct. 9, 2018 from U.S. Appl. No. 29/653,142, 7 pages.
- Notice of Allowance dated Sep. 19, 2018 from U.S. Appl. No. 15/167,682, 7 pages.
- Notice of Allowance dated Sep. 21, 2018 from U.S. Appl. No. 29/645,941, 5 pages.
- OneFrame Recessed LED Downlight. Dmflighting.com. Published Jun. 6, 2018. Retrieved at <https://www.dmflighting.com/product/oneframe> on Jun. 6, 2018. 11 pages.
- Parkyn, W. A. et al., "New TIR lens applications for light-emitting diodes", Proc. SPIE 3139, Nonimaging Optics: Maximum Efficiency Light Transfer IV, (Oct. 3, 1997); doi: 10.1117/12.290217, 7 pages.
- Raco 4 in. Octagon Welded Concrete Ring, 3½ in. Deep with ½ and ¾ in. Knockouts and includes 890 cover (20-Pack). Model #280. Accessed at <https://www.homedepot.com/p/RACO-4-in-Octagon-Welded-Concrete-Ring-3-1-2-in-Deep-with-1-2-and-3-4-in-Knockouts-and-cludes-890-cover-20-Pack-280/203638679> on Jan. 18, 2019. 3 pages.
- Raco 4 in. Octagon Welded Concrete Ring, 6 in. Deep with ½ and ¾ in. Knockouts (10-Pack). Model #276. Accessed at <https://www.homedepot.com/p/RACO-4-in-Octagon-Welded-Concrete-Ring-6-in-Deep-with-1-2-and-3-4-in-Knockouts-10-Pack-276/203638675> on Jan. 16, 2019. 4 pages.
- Raco Commercial, Industrial and Residential Electrical Products. Hubbell. Accessed at [www.Hubbell-RTB.com](http://www.Hubbell-RTB.com) on May 6, 2019. 356 pages.
- Schreiber, P. et al., "Microoptics for homogeneous LED-illumination", Proc. SPIE 6196, Photonics in Multimedia, 61960P (Apr. 21, 2006); doi: 10.1117/12.663084; <https://doi.org/10.1117/12.663084>, 11 pages.
- Specification & Features 4" Octagonal Concrete Box Covers. Orbit Industries, Inc. Accessed at <https://www.orbitelectric.com> on May 6, 2019. 1 page.
- Van Giel, B. V. et al., "Design of axisymmetrical tailored concentrators for LED light source applications", Proc. SPIE 6196, Photonics in Multimedia, 619603 (Apr. 21, 2006); doi: 10.1117/12.660115; <https://doi.org/10.1117/12.660115>, 11 pages.
- Zhen, Y. et al., "The optimal design of TIR lens for improving LED illumination uniformity and efficiency", Proc. SPIE 6834, Optical Design and Testing III, 68342K (Nov. 28, 2007); doi: 10.1117/12.756101, 9 pages.
- Zou, H et al., "58.1: Single-Panel LOOS Color Projector with LED Light Sources", SID Symposium, vol. 36, Issue 1, 4 pages (May 2005).
- U.S. Appl. No. 16/653,497, filed Oct. 15, 2019, Danesh et al.
- U.S. Appl. No. 29/711,198, filed Nov. 29, 2019, Danesh et al.
- U.S. Appl. No. 16/690,970, filed Nov. 21, 2019, Nikooyan et al.
- U.S. Appl. No. 16/719,361, filed Dec. 18, 2019, Danesh et al.
- U.S. Appl. No. 16/522,275 filed 07/25/201, Danesh.
- U.S. Appl. No. 16/725,606, filed Dec. 23, 2019, Bailey et al.
- U.S. Appl. No. 29/648,046, filed May 17, 2018, Williams.
- U.S. Appl. No. 16/779,824, filed Feb. 3, 2020, Danesh.
- U.S. Appl. No. 16/779,865, filed Feb. 3, 2020, Danesh et al.
- U.S. Appl. No. 29/688,172, filed Apr. 18, 2019, Danesh et al.
- U.S. Appl. No. 29/688,143, filed Apr. 18, 2019, Danesh et al.
- U.S. Appl. No. 16/883,144, filed May 26, 2020, Nikooyan et al.
- U.S. Appl. No. 29/696,830, filed Jul. 1, 2019, Kopitzke.
- U.S. Appl. No. 16/182,481, filed Nov. 6, 2018, Kopitzke.
- U.S. Appl. No. 29/762,016, filed Dec. 14, 2020, Williams et al.
- U.S. Appl. No. 17/118,742, filed Dec. 11, 2020, Danesh et al.
- U.S. Appl. No. 29/752,046, filed Sep. 24, 2020, Peng et al.
- U.S. Appl. No. 17/229,668, filed Apr. 13, 2021, Shen.
- U.S. Appl. No. 17/318,193, filed May 12, 2021, Danesh et al.
- U.S. Appl. No. 17/080,080, filed Oct. 26, 2020, Danesh.
- U.S. Appl. No. 17/220,779, filed Apr. 1, 2021, Kopitzke et al.
- U.S. Appl. No. 17/395,522, filed Aug. 6, 2021, Danesh.
- U.S. Appl. No. 17/385,766, filed Jul. 26, 2021, Kopitzke.
- U.S. Appl. No. 17/384,564, filed Jul. 23, 2021, Kopitzke et al.
- U.S. Appl. No. 17/381,147, filed Jul. 20, 2021, Lofti et al.
- U.S. Appl. No. 17/379,748, filed Jul. 19, 2021, Young et al.
- U.S. Appl. No. 17/379,489, filed Jul. 19, 2021, Vinh et al.
- U.S. Appl. No. 17/378,214, filed Jul. 16, 2021, Kopitzke et al.
- U.S. Appl. No. 17/374,674, filed Jul. 13, 2021, Danesh.
- U.S. Appl. No. 17/234,421, filed Apr. 19, 2021, Danesh.
- U.S. Appl. No. 29/764,875, filed Jan. 4, 2021, Danesh et al.
- U.S. Appl. No. 29/759,492, filed Nov. 23, 2020, Danesh et al.
- U.S. Appl. No. 17/099,650, filed Nov. 16, 2020, Danesh et al.
- U.S. Appl. No. 29/757,754, filed Nov. 9, 2020, Danesh et al.
- U.S. Appl. No. 17/473,934, filed Sep. 13, 2021, Danesh et al.
- U.S. Appl. No. 29/467,026, filed Sep. 13, 2013, Danesh et al.
- U.S. Appl. No. 14/823,410, filed Aug. 11, 2015, Williams et al.
- U.S. Appl. No. 14/791,249, filed Jul. 2, 2015, Lee.
- U.S. Appl. No. 15/158,538, filed May 18, 2016, Kashani.
- U.S. Appl. No. 15/897,955, filed Feb. 15, 2018, Fardadi et al.
- U.S. Appl. No. 29/648,937, filed May 24, 2018, Kopitzke.
- Supplemental Notice of Allowance dated Aug. 13, 2021 1 from U.S. Appl. No. 16/779,824, 3 pages.
- Supplemental Notice of Allowance dated Aug. 19, 2021 1 from U.S. Appl. No. 17/318,193, 4 pages.
- Notice of Allowance dated Aug. 20, 2021 1 from U.S. Appl. No. 29/764,875, 5 pages.
- Notice of Allowance dated Sep. 16, 2021 from U.S. Appl. No. 16/779,865, 9 pages.
- Non-Final Office Action dated Oct. 18, 2021 from U.S. Appl. No. 29/696,830, 8 pages.
- Notice of Allowance dated Nov. 3, 2021 from U.S. Appl. No. 17/220,779, 7 pages.
- Notice of Allowance dated Nov. 5, 2021 1 from U.S. Appl. No. 17/318,193, 11 pages.
- Non-Final Office Action dated Nov. 5, 2021 from U.S. Appl. No. 17/379,748, 8 pages.
- Notice of Allowance dated Nov. 8, 2021 1 from U.S. Appl. No. 29/764,875, 5 pages.
- Non-Final Office Action dated Nov. 15, 2021 from U.S. Appl. No. 17/374,674, 7 pages.
- Final Office Action dated Nov. 16, 2021 from U.S. Appl. No. 17/099,650, 14 pages.
- Notice of Allowance dated Nov. 22, 2021 from U.S. Appl. No. 29/694,475, 7 pages.
- Notice of Allowance dated Nov. 24, 2021 from U.S. Appl. No. 17/234,421, 9 pages.
- Non-Final Office Action dated Nov. 30, 2021 from U.S. Appl. No. 17/395,522, 28 pages.
- Non-Final Office Action dated Dec. 1, 2021 from U.S. Appl. No. 16/883,144, 23 pages.
- Corrected Notice of Allowance dated Dec. 10, 2021 from U.S. Appl. No. 17/234,421, 2 pages.
- Non-Final Office Action dated Dec. 13, 2021 from U.S. Appl. No. 29/711,198, 8 pages.

(56)

**References Cited**

## OTHER PUBLICATIONS

Corrected Notice of Allowance dated Jan. 11, 2022 from U.S. Appl. No. 29/694,475, 2 pages.

Corrected Notice of Allowance dated Jan. 12, 2022 from U.S. Appl. No. 16/779,865, 9 pages.

Non-Final Office Action dated Jan. 21, 2022 from U.S. Appl. No. 17/229,668, 5 pages.

Notice of Allowance from U.S. Appl. No. 17/379,748 dated Feb. 16, 2022, 5 pages.

“12 Pack” reference by Hykolity on Amazon.com, date first available Nov. 7, 2019 [online], available from internet URL: [https://www.amazon.com/dp/B081655CDL/ref=cm\\_sw\\_em\\_r\\_mt\\_dp\\_8NAZD4R3MTTP59290SG3?\\_encoding=UTF8&th=1](https://www.amazon.com/dp/B081655CDL/ref=cm_sw_em_r_mt_dp_8NAZD4R3MTTP59290SG3?_encoding=UTF8&th=1) (Year: 2019) (6 pages).

“Halo” reference by Amazon.com, date first available Aug. 4, 2017 [online], site visited Jan. 31, 2022, available from internet URL: [https://www.amazon.com/dp/B074K234DL/ref=cm\\_sw\\_em\\_r\\_mt\\_dp\\_P7H78BZ413RNSQ55NVTR](https://www.amazon.com/dp/B074K234DL/ref=cm_sw_em_r_mt_dp_P7H78BZ413RNSQ55NVTR) (Year: 2013) (6 pages).

“Juno Lighting” reference by Express Electric on Amazon.com, date first available Feb. 14, 2008 [online], site visited Jan. 31, 2022, available from internet URL: [https://www.amazon.com/Juno-Lighting-](https://www.amazon.com/Juno-Lighting-TC44R-Retrofit-Downlight/dp/B000OD12HT/ref=psdc_6355949011_t2_B078X1D488?th=1)

TC44R-Retrofit-Downlight/dp/B000OD12HT/ref=psdc\_6355949011\_t2\_B078X1D488?th=1 (Year: 2008) (6 pages).

“Sunco Lighting” reference by Sunco Lighting on Amazon.com, date first available Sep. 21, 2018 [online], site visited Jan. 31, 2022, available from internet URL: <https://www.amazon.com/Sunco-Lighting-Construction-Downlight-Electrician/dp/B07D92B5DL?th=1> (Year: 2018) (6 pages).

Non-Final Office Action dated Feb. 16, 2022 from U.S. Appl. No. 29/743,066, 6 pages.

Notice of Allowance dated Feb. 14, 2022 from U.S. Appl. No. 17/473,934, 9 pages.

Non-Final Office Action dated Feb. 25, 2022 from U.S. Appl. No. 17/384,564 28 pages.

Notice of Allowance dated Mar. 11, 2022 from U.S. Appl. No. 17/118,742 13 pages.

Notice of Allowance dated Apr. 27, 2022 from U.S. Appl. No. 16/883,144, 11 pages.

Notice of Allowance dated Apr. 27, 2022 from U.S. Appl. No. 17/374,674, 7 pages.

Notice of Allowance dated Apr. 27, 2022 from U.S. Appl. No. 17/473,934, 9 pages.

\* cited by examiner

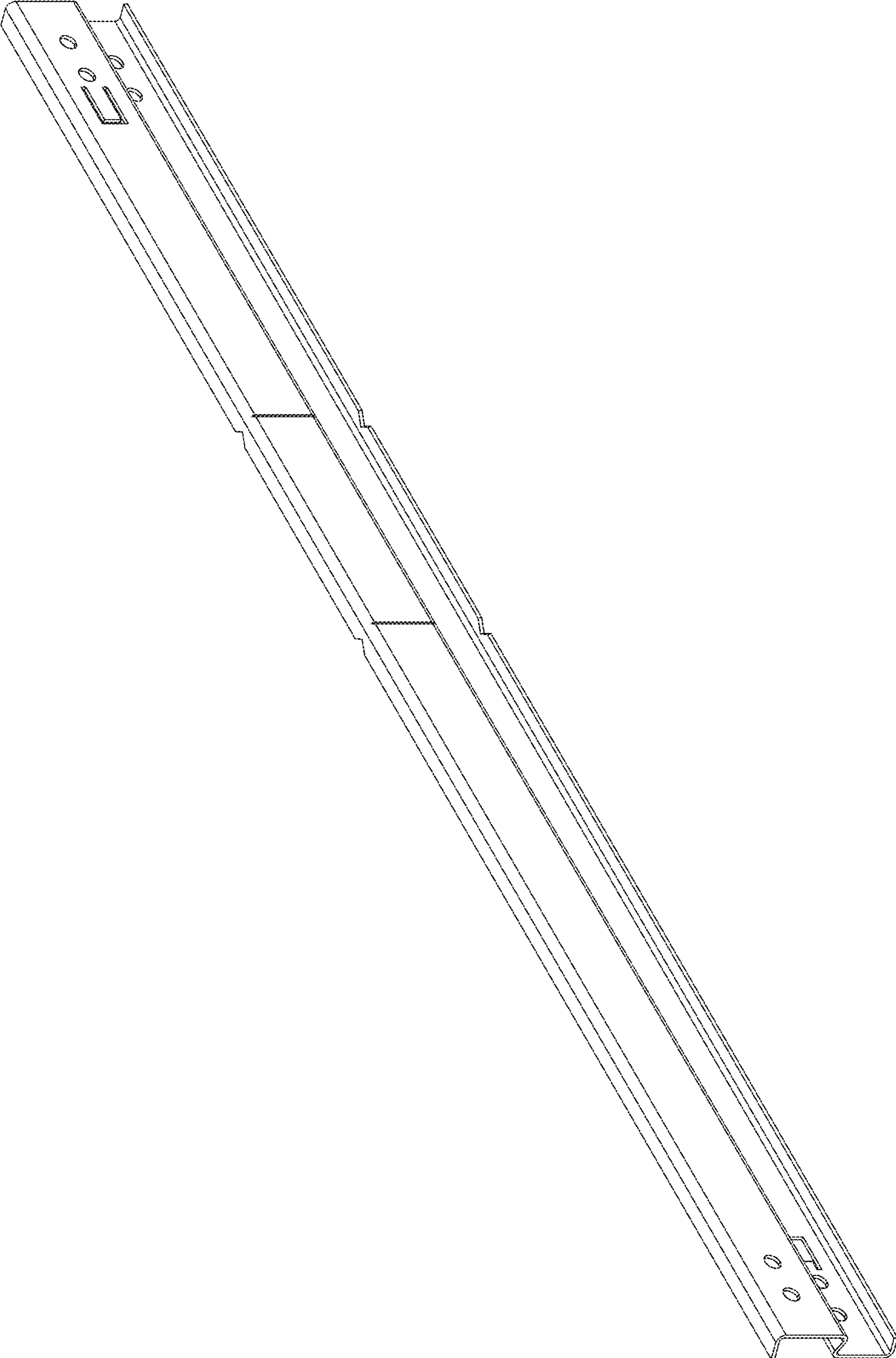


FIG. 1

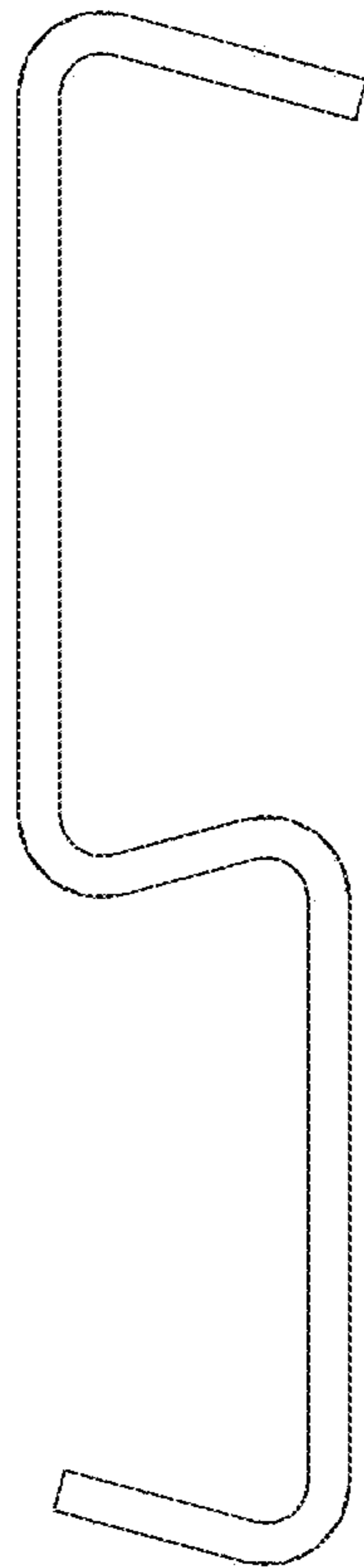


FIG. 2

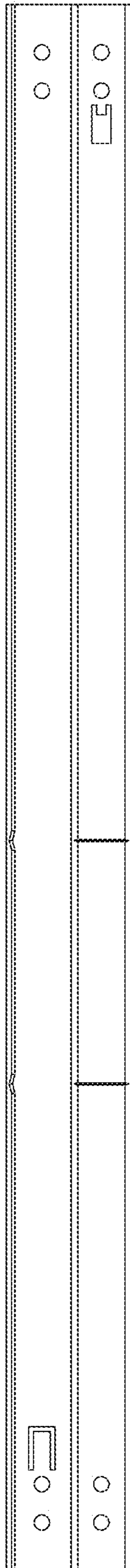


FIG. 3

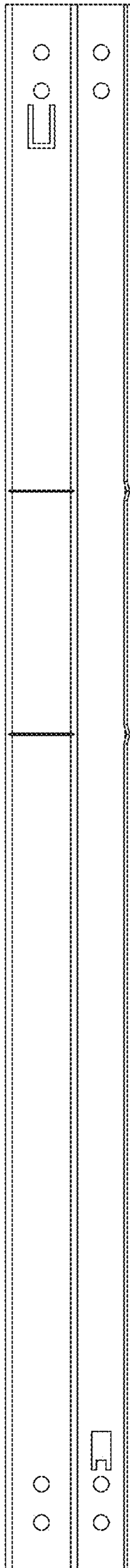


FIG. 4





FIG. 5

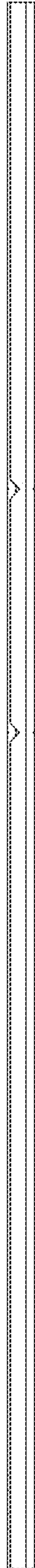


FIG. 6