

US00D966876S

(12) **United States Design Patent**
Lin

(10) **Patent No.:** **US D966,876 S**

(45) **Date of Patent:** **** Oct. 18, 2022**

(54) **CASTER**

(71) Applicant: **Xue Lin**, Zhongshan (CN)

(72) Inventor: **Xue Lin**, Zhongshan (CN)

(**) Term: **15 Years**

(21) Appl. No.: **29/775,311**

(22) Filed: **Mar. 23, 2021**

(51) **LOC (13) Cl.** **08-05**

(52) **U.S. Cl.**
USPC **D8/375**

(58) **Field of Classification Search**
USPC D8/354, 366, 371, 372, 367, 374, 373,
D8/376, 375

See application file for complete search history.

(56) **References Cited**

U.S. PATENT DOCUMENTS

D99,912 S *	6/1936	Herold	16/18 CG
D102,484 S *	12/1936	Kaiser	D8/375
D103,451 S *	3/1937	Herold	16/31 R
D108,948 S *	3/1938	Johnson	16/18 CG
D130,592 S *	12/1941	Parkhill	D8/375
D130,658 S *	12/1941	Johnson	D8/375
2,483,241 A *	9/1949	Shepherd	B60B 33/00 16/18 CG
D239,433 S *	4/1976	Sugasawara	D8/375

D241,513 S *	9/1976	Fontana	D8/375
D288,287 S *	2/1987	Screen	D8/375
D319,384 S *	8/1991	Lange	D8/375
D326,221 S *	5/1992	Brule'	D8/375
D382,465 S *	8/1997	Dhanapal	D8/375
D470,748 S	2/2003	Tsai	
D557,121 S *	12/2007	Screen	D8/375
D593,400 S *	6/2009	Jones	D8/375
D766,073 S	9/2016	Hozumi et al.	

* cited by examiner

Primary Examiner — Khawaja Anwar

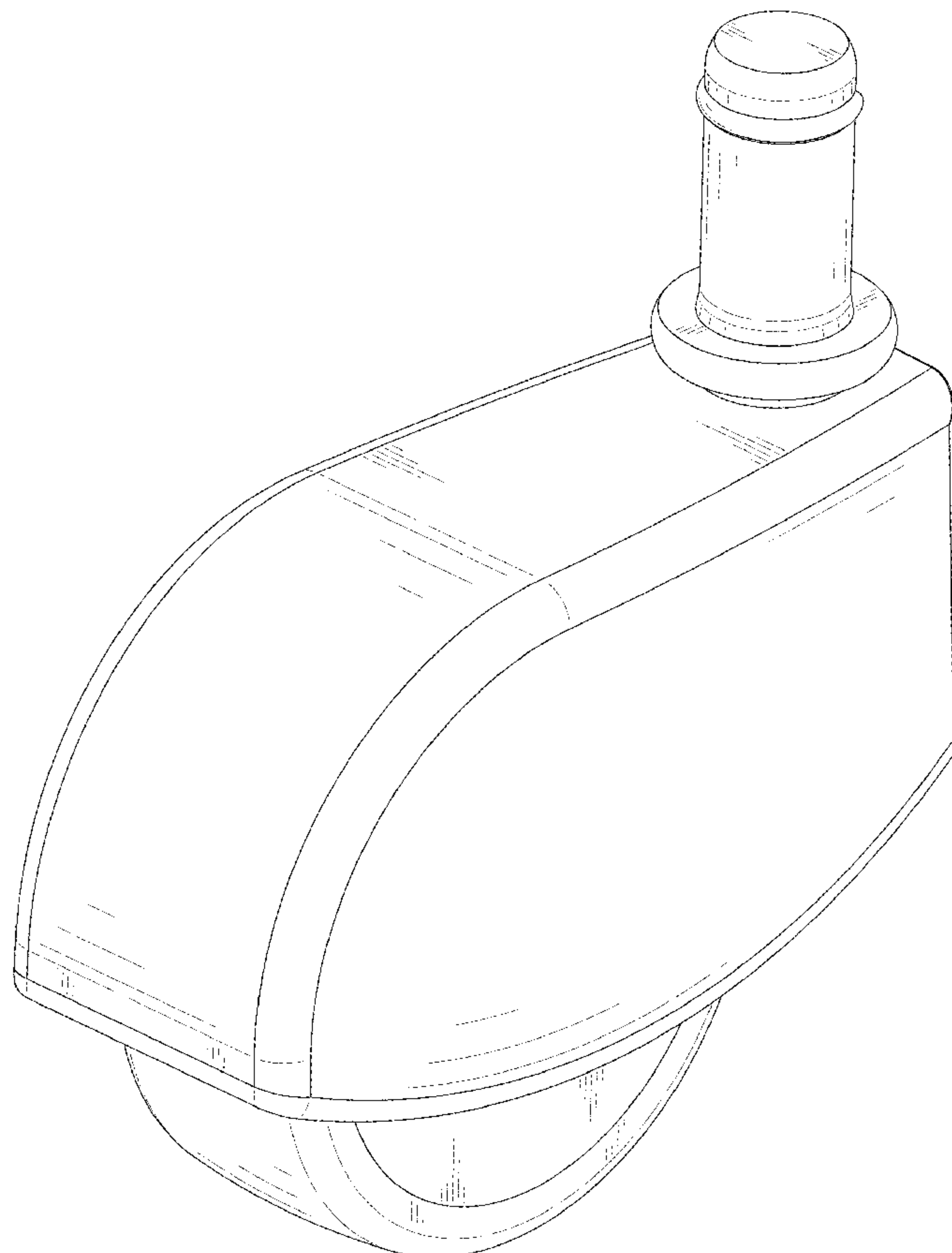
(57) **CLAIM**

The ornamental design for a caster, as shown and described.

DESCRIPTION

FIG. 1 is a perspective view of a caster showing my new design;
 FIG. 2 is another perspective view thereof;
 FIG. 3 is a front elevational view thereof;
 FIG. 4 is a rear elevational view thereof;
 FIG. 5 is a left side elevational view thereof;
 FIG. 6 is a right side elevational view thereof;
 FIG. 7 is a top plan view thereof; and,
 FIG. 8 is a bottom plan view thereof.

1 Claim, 8 Drawing Sheets



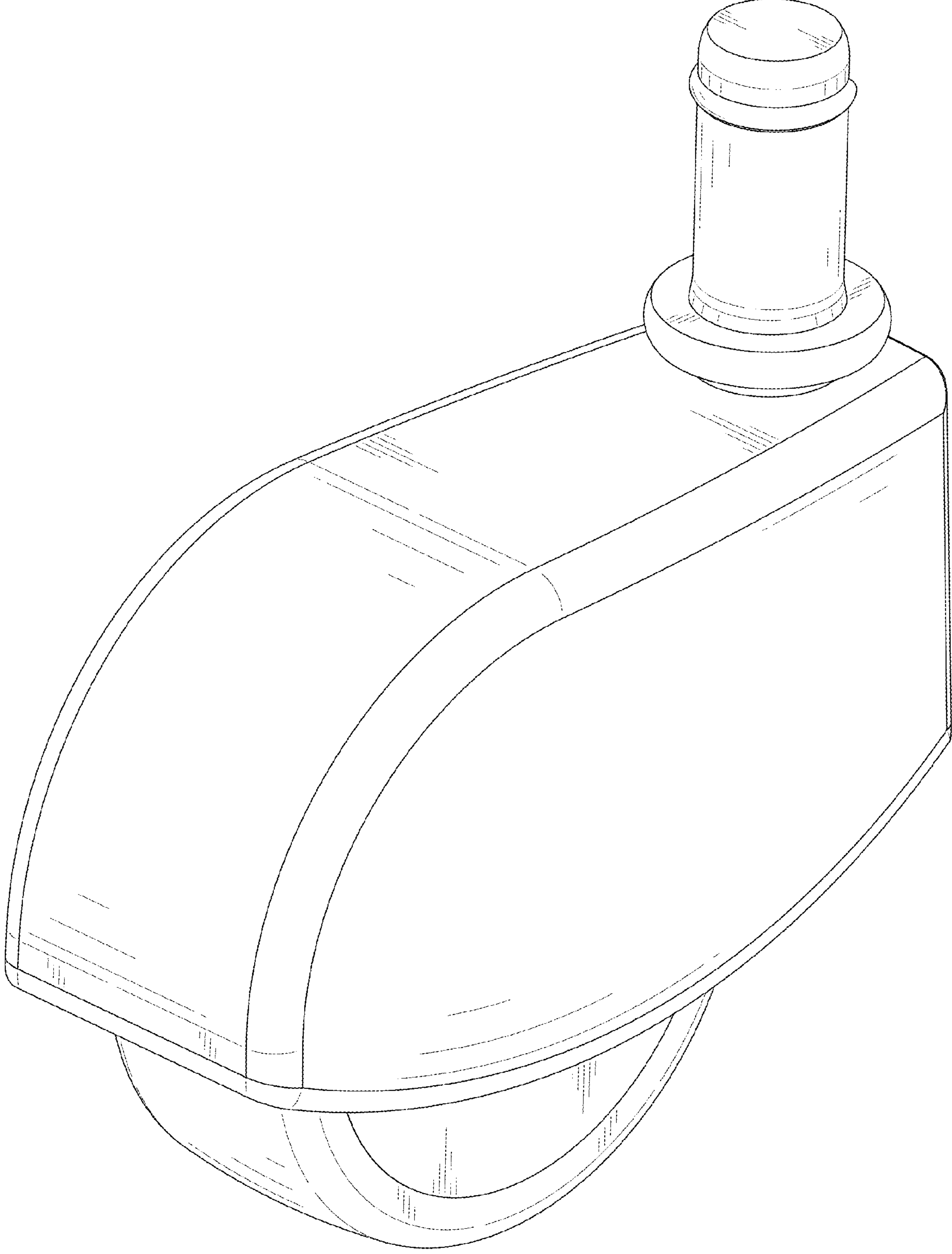


FIG. 1

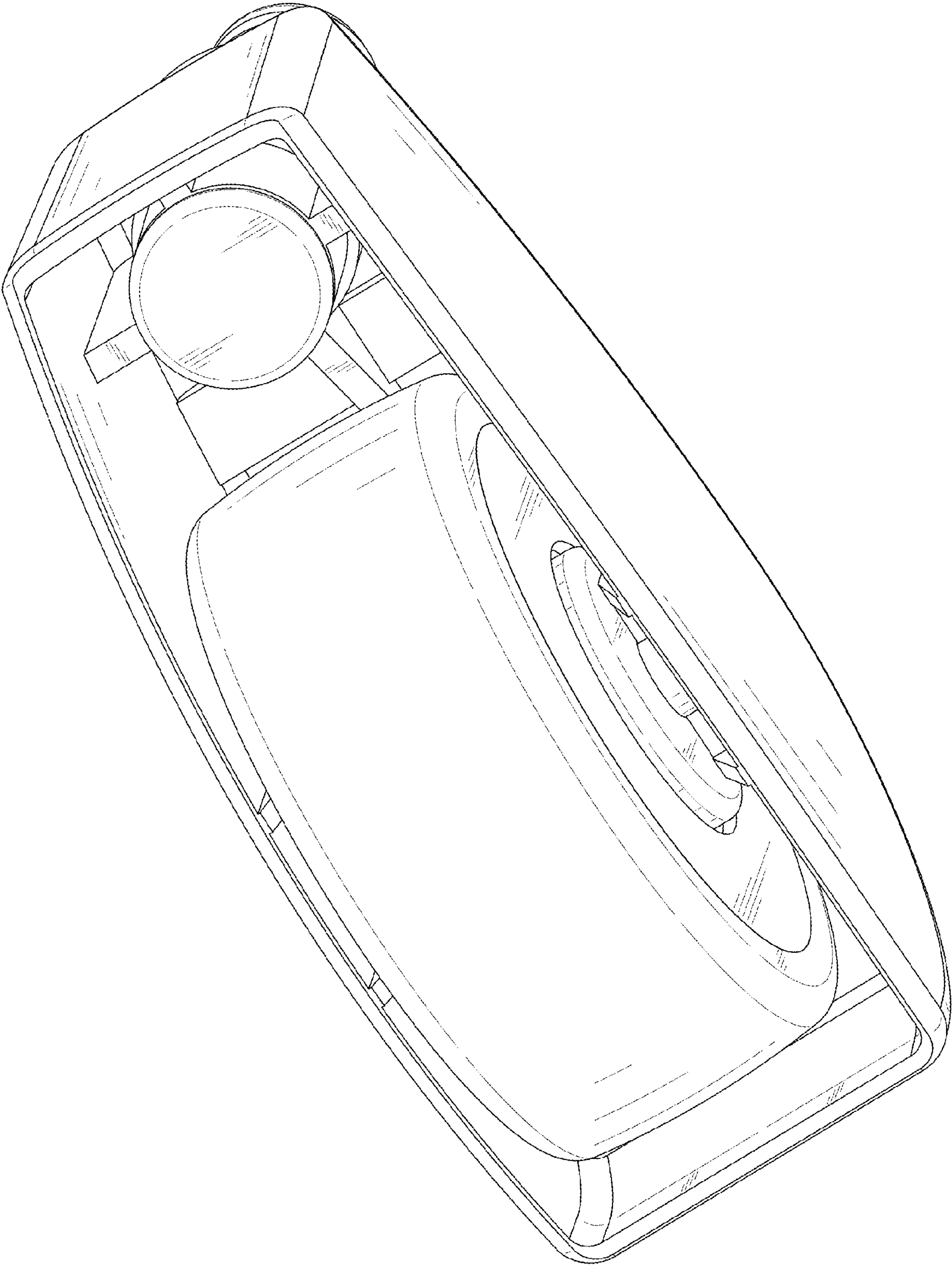


FIG. 2

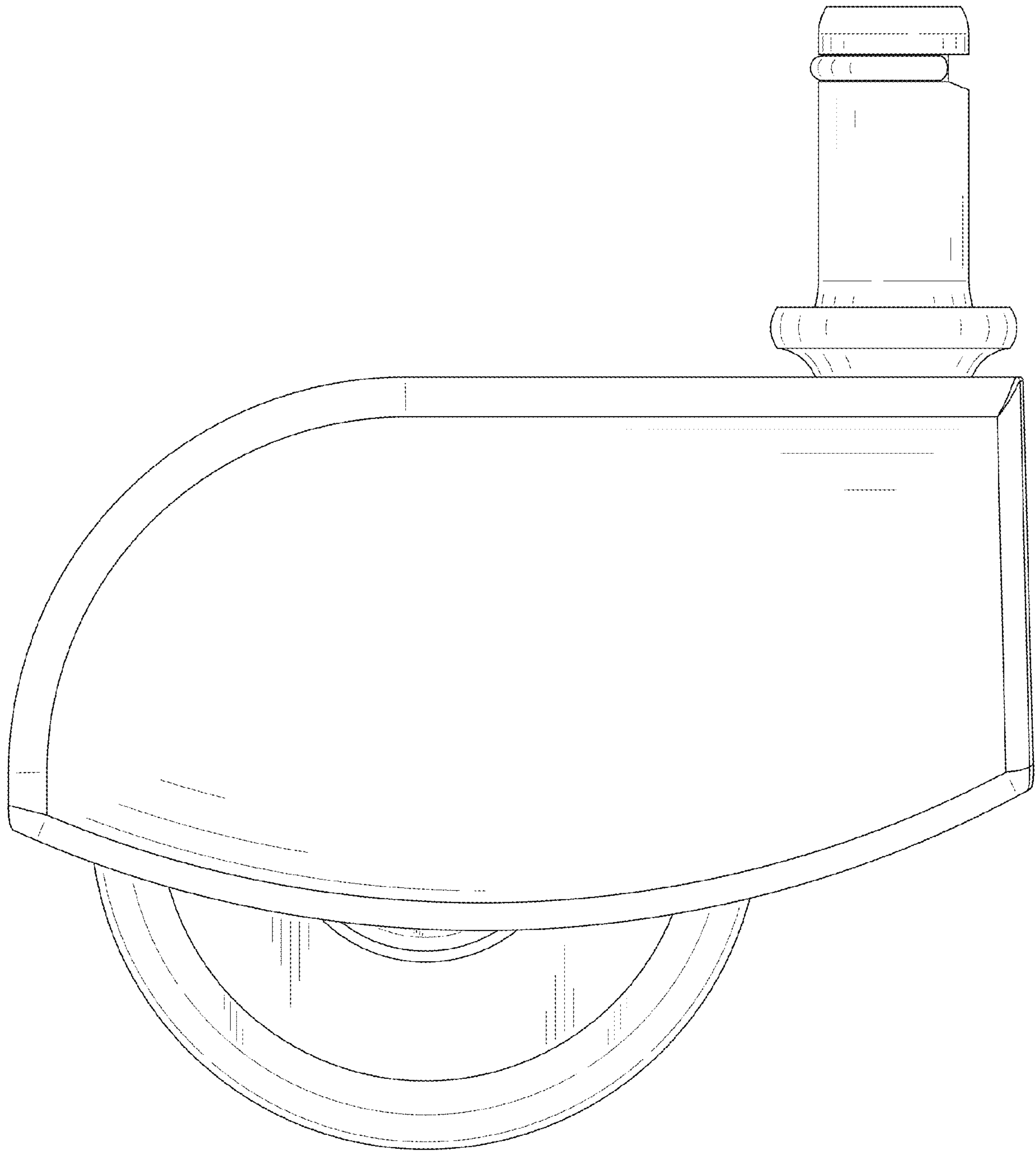


FIG. 3

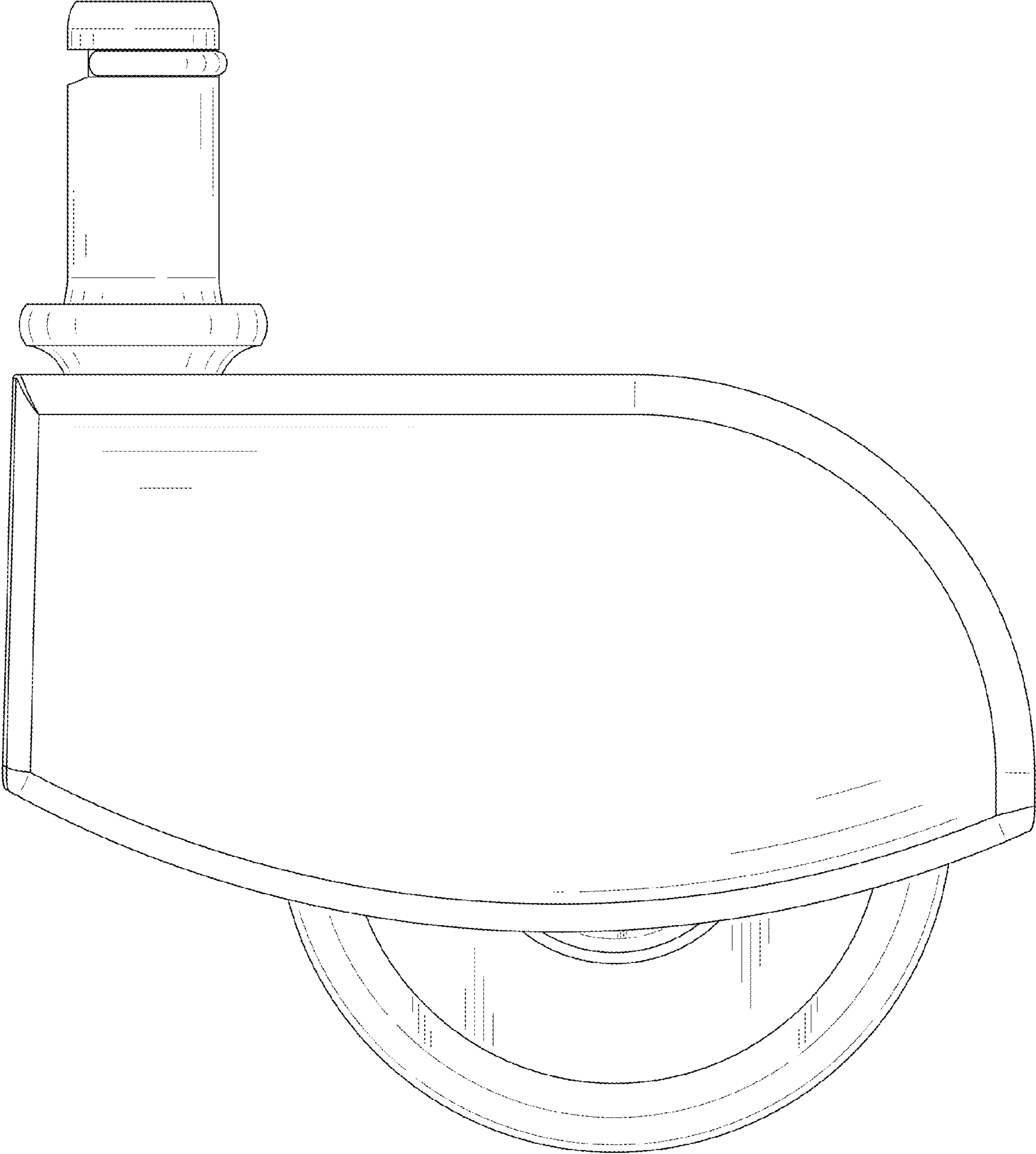


FIG. 4

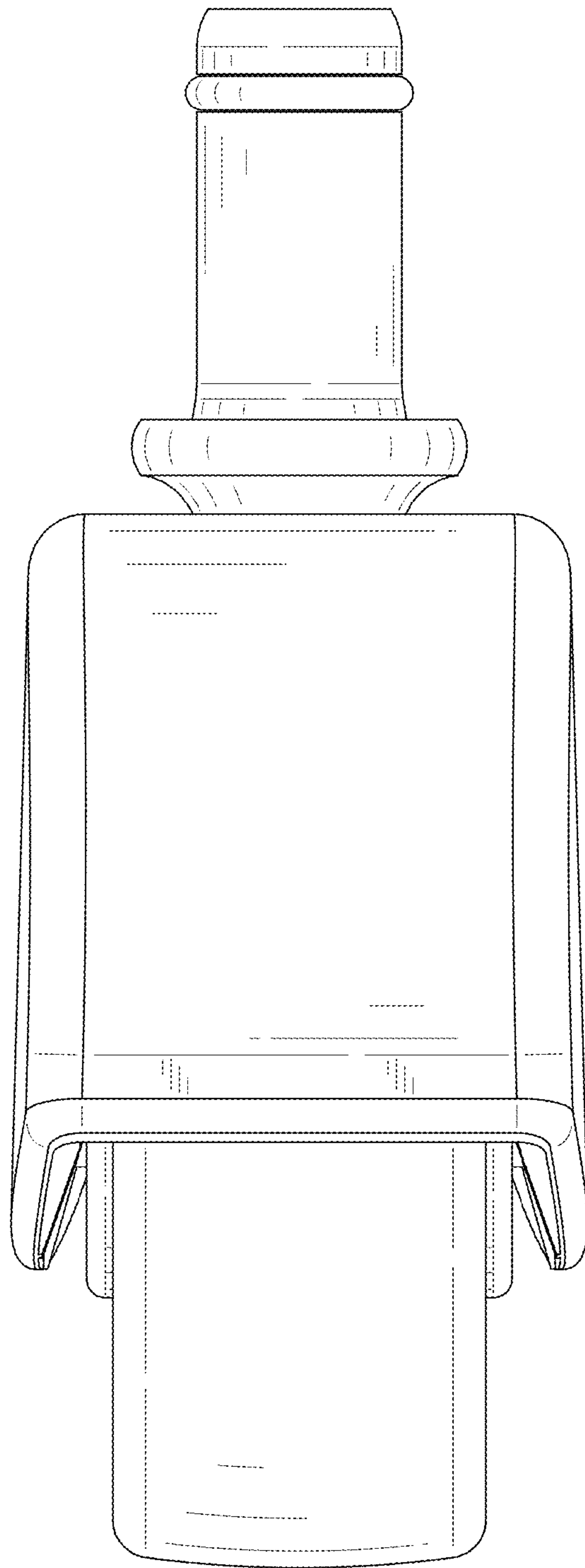


FIG. 5

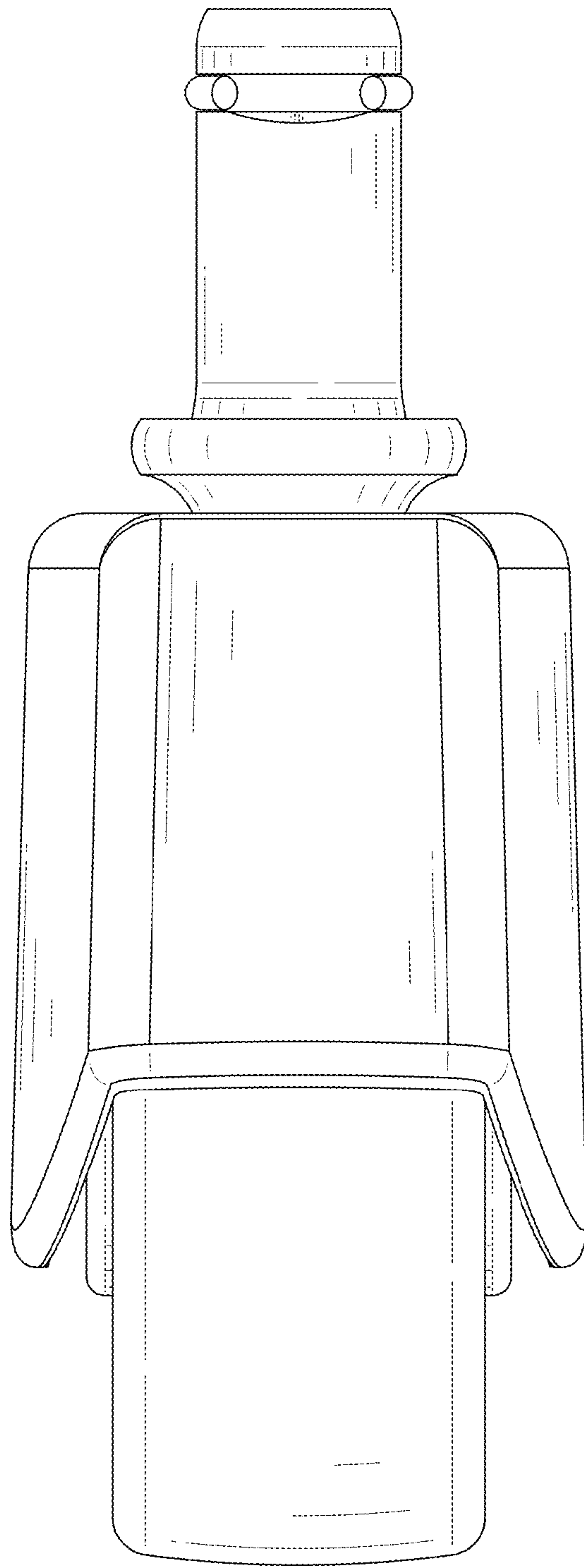


FIG. 6

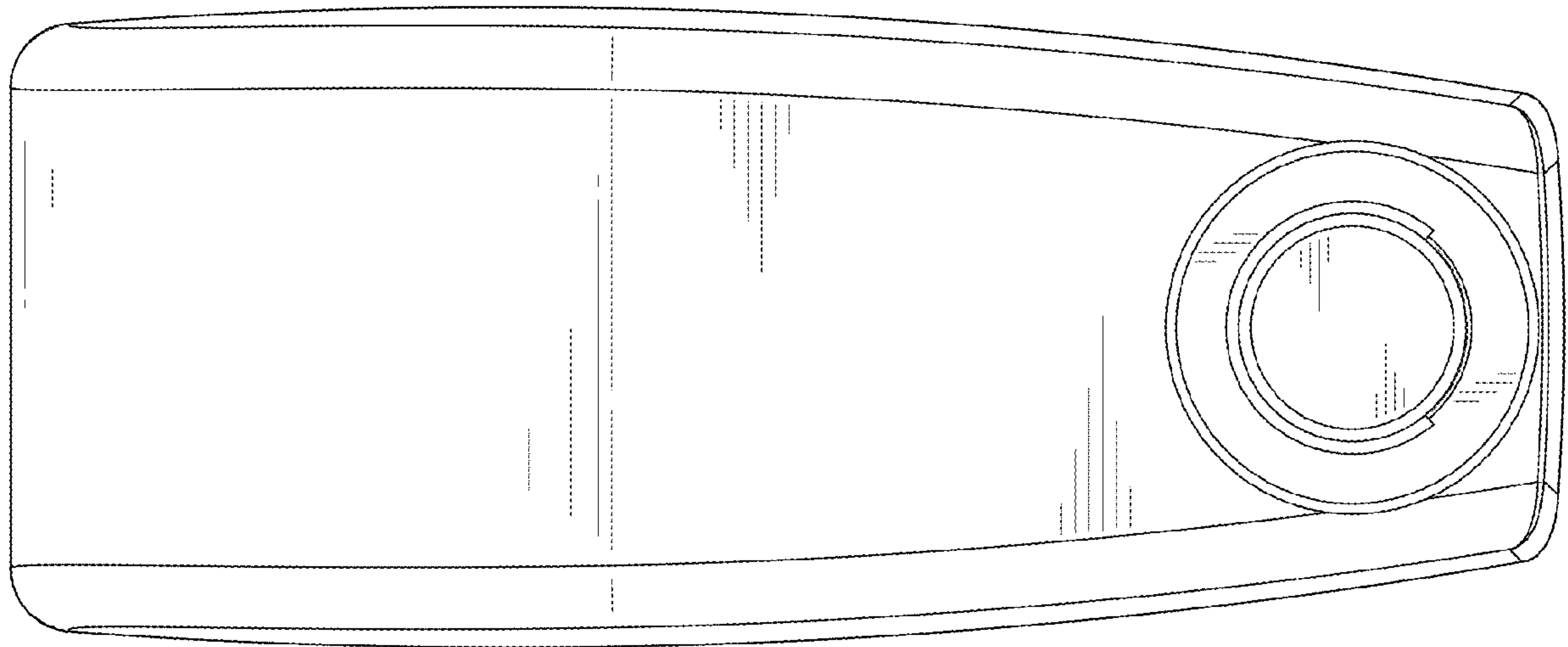


FIG. 7

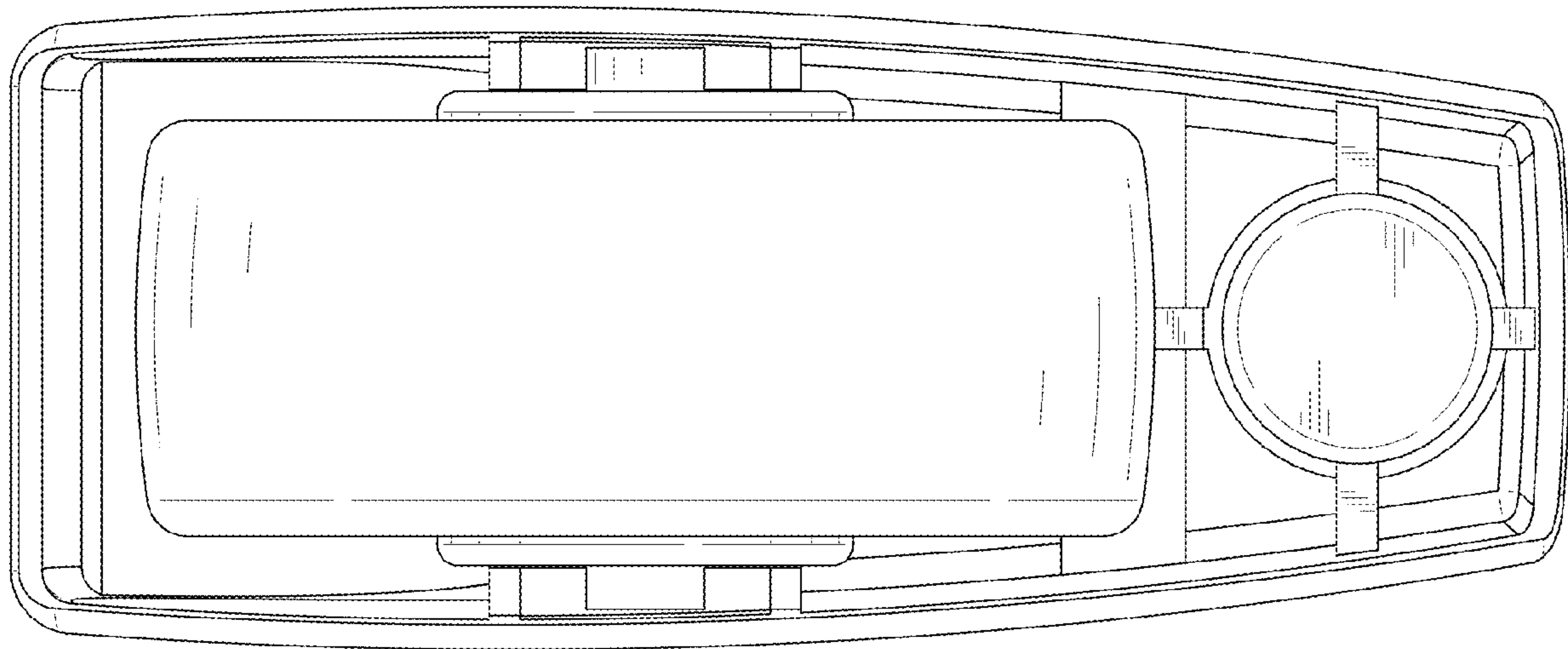


FIG. 8