



US00D966873S

(12) **United States Design Patent**  
**Chen**

(10) **Patent No.:** **US D966,873 S**

(45) **Date of Patent:** **\*\* Oct. 18, 2022**

- (54) **MAGNET HOOK**
- (71) Applicant: **Ningbo zhenhai keyda magnet co., Ltd, Ningbo (CN)**
- (72) Inventor: **Mingmin Chen, Ningbo (CN)**
- (73) Assignee: **Ningbo Zhenhai Keyda Magnet Co., Ltd, Ningbo (CN)**
- (\*\*) Term: **15 Years**
- (21) Appl. No.: **29/842,076**
- (22) Filed: **Jun. 10, 2022**
- (51) **LOC (13) Cl.** ..... **08-11**
- (52) **U.S. Cl.**  
USPC ..... **D8/367**
- (58) **Field of Classification Search**  
USPC ..... D8/367, 354, 349, 373; D6/323;  
248/301-304, 339  
CPC ..... A47G 1/00; A47G 25/00  
See application file for complete search history.

- D359,441 S \* 6/1995 Miller ..... D8/367
- D446,110 S \* 8/2001 McDuff ..... D8/367
- D449,977 S \* 11/2001 Dembowskiak ..... D8/367
- D472,795 S \* 4/2003 Saxby ..... D8/367
- D505,315 S \* 5/2005 Snell ..... D8/367
- D608,186 S \* 1/2010 Nicoll ..... D8/367
- D650,657 S \* 12/2011 Kaye ..... D8/367
- D667,720 S \* 9/2012 Berkowitz ..... D8/367
- 8,739,453 B1 \* 6/2014 Conner ..... F41A 23/18  
42/99
- D729,254 S \* 5/2015 Sullivan ..... D14/440
- 9,144,349 B2 \* 9/2015 Groll ..... A47J 45/02
- D746,664 S \* 1/2016 Najieb ..... D8/367
- D765,498 S 9/2016 Dankert
- D787,303 S \* 5/2017 Garvin ..... D8/367
- D799,943 S \* 10/2017 Burcar ..... D8/367
- D809,354 S \* 2/2018 Richer ..... D8/14
- D840,792 S \* 2/2019 Sugawara ..... D8/367
- D864,697 S \* 10/2019 Gnocchini ..... D8/367

(Continued)

*Primary Examiner* — Cynthia R Underwood  
(74) *Attorney, Agent, or Firm* — True Shepherd LLC;  
Andrew C. Cheng

(57) **CLAIM**

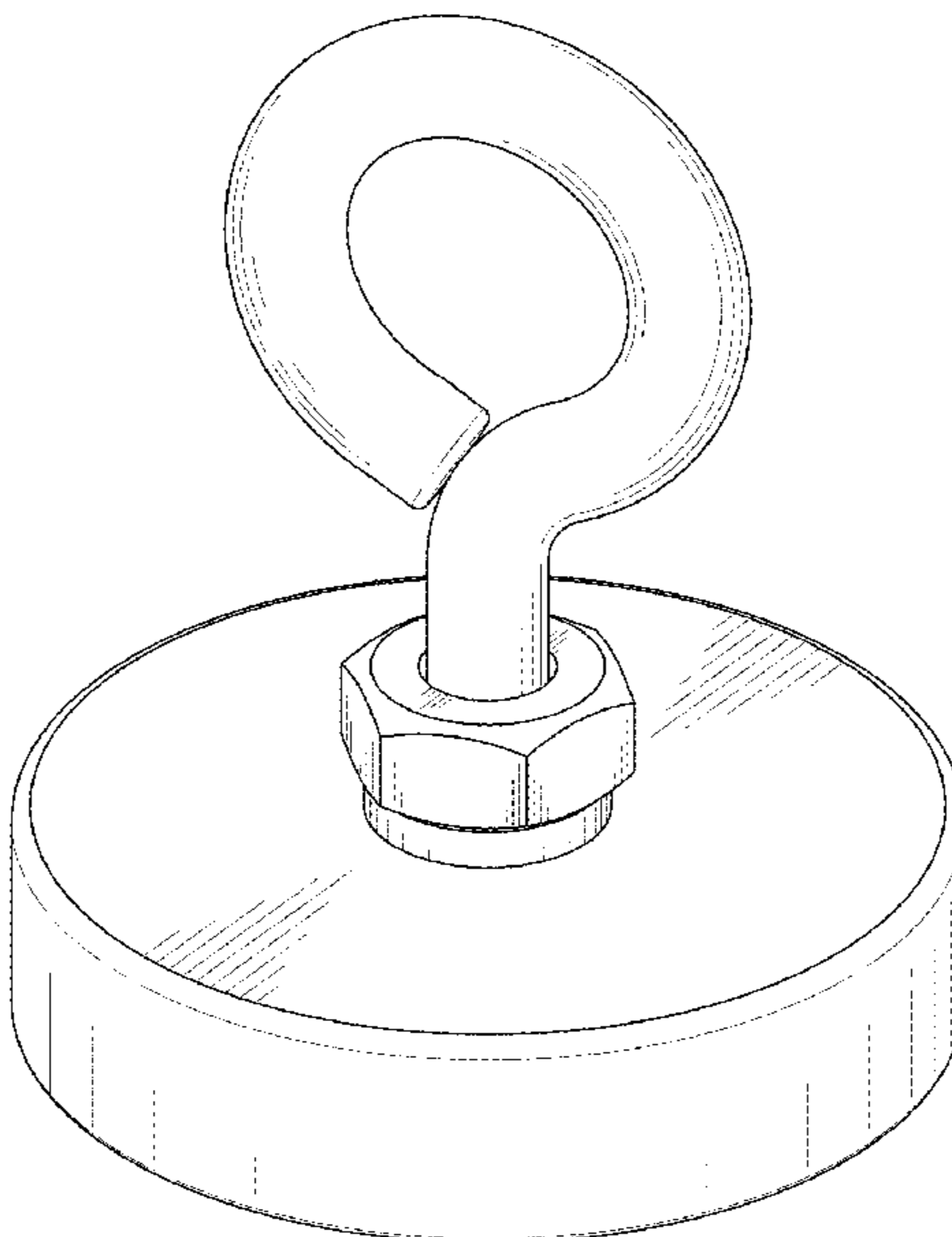
The ornamental design for a magnet hook, as shown and described.

**DESCRIPTION**

FIG. 1 is a perspective view of a magnet hook showing my new design;  
FIG. 2 is another perspective view thereof;  
FIG. 3 is a front view thereof;  
FIG. 4 is a rear view thereof;  
FIG. 5 is a right side view thereof;  
FIG. 6 is a left side view thereof;  
FIG. 7 is a top plan view thereof; and,  
FIG. 8 is a bottom plan view thereof.  
The broken lines depict portions of the magnet hook and form no part of the claimed design.

**1 Claim, 8 Drawing Sheets**

- (56) **References Cited**
- U.S. PATENT DOCUMENTS
- 2,679,998 A \* 6/1954 Keller ..... F16B 47/003  
248/205.3
- 2,788,438 A \* 4/1957 Lieuwen ..... F21L 14/02  
248/339
- 2,803,595 A \* 8/1957 Anzaldi ..... C25F 7/00  
205/640
- 3,118,207 A \* 1/1964 Breslow ..... A47H 13/00  
24/304
- 3,283,383 A \* 11/1966 Heath ..... A01F 25/13  
D8/367
- D241,119 S \* 8/1976 Emminger ..... D8/367
- D259,700 S \* 6/1981 Chasen ..... D8/367
- D317,860 S \* 7/1991 Gary ..... D8/367
- D328,563 S \* 8/1992 Lin ..... D8/367
- D354,429 S \* 1/1995 McNaughton ..... D8/367



(56)

**References Cited**

U.S. PATENT DOCUMENTS

D864,699	S	*	10/2019	Blaney	.....	D8/367
D880,990	S	*	4/2020	Liu	.....	D8/367
D917,266	S	*	4/2021	Winnie	.....	D8/367
D945,866	S	*	3/2022	Luo	.....	D8/367
D953,150	S	*	5/2022	Luo	.....	D8/367
D960,694	S	*	8/2022	Chen	.....	D8/367
2014/0339389	A1	*	11/2014	Futrell	.....	A47B 97/00 248/303

\* cited by examiner

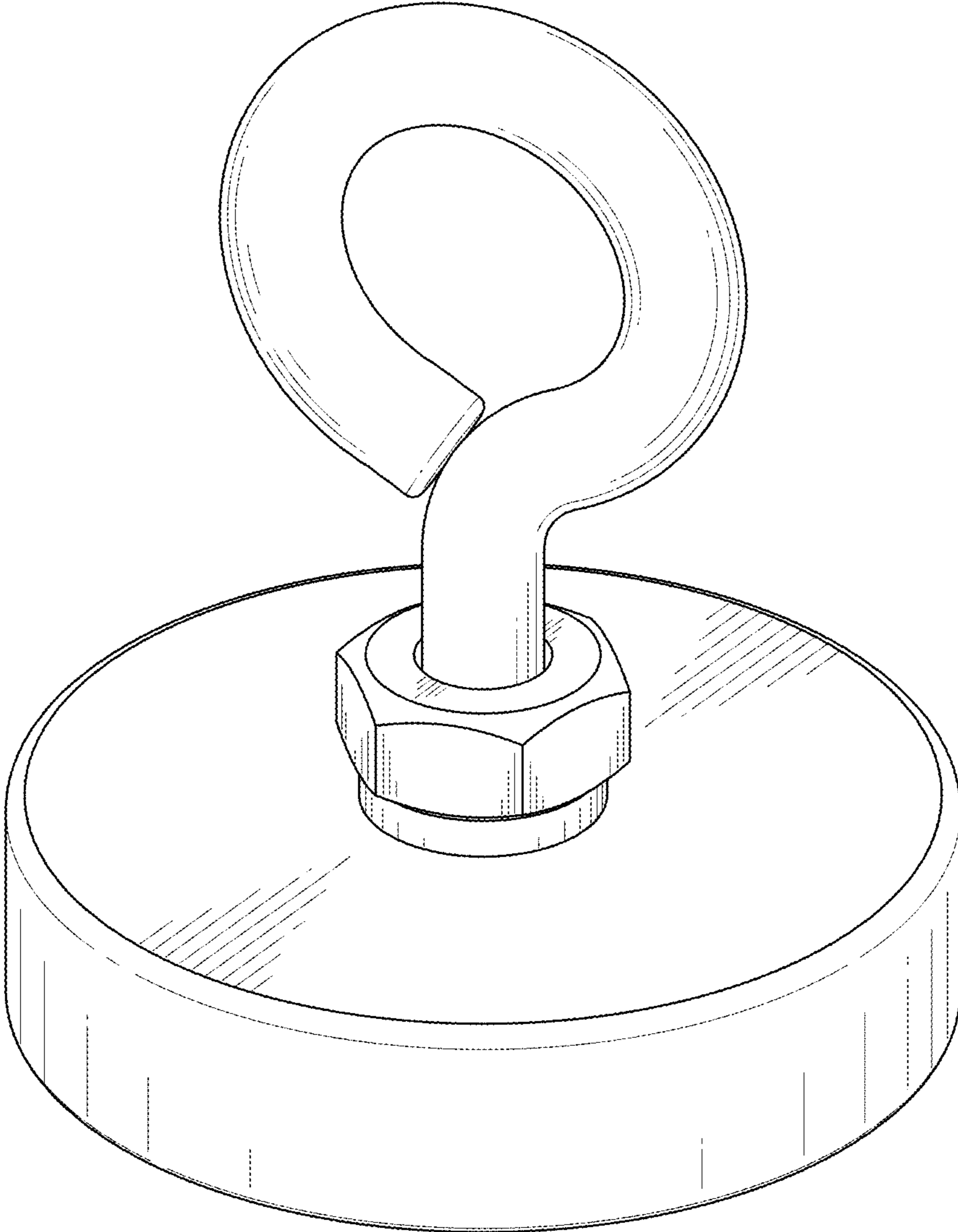


FIG. 1

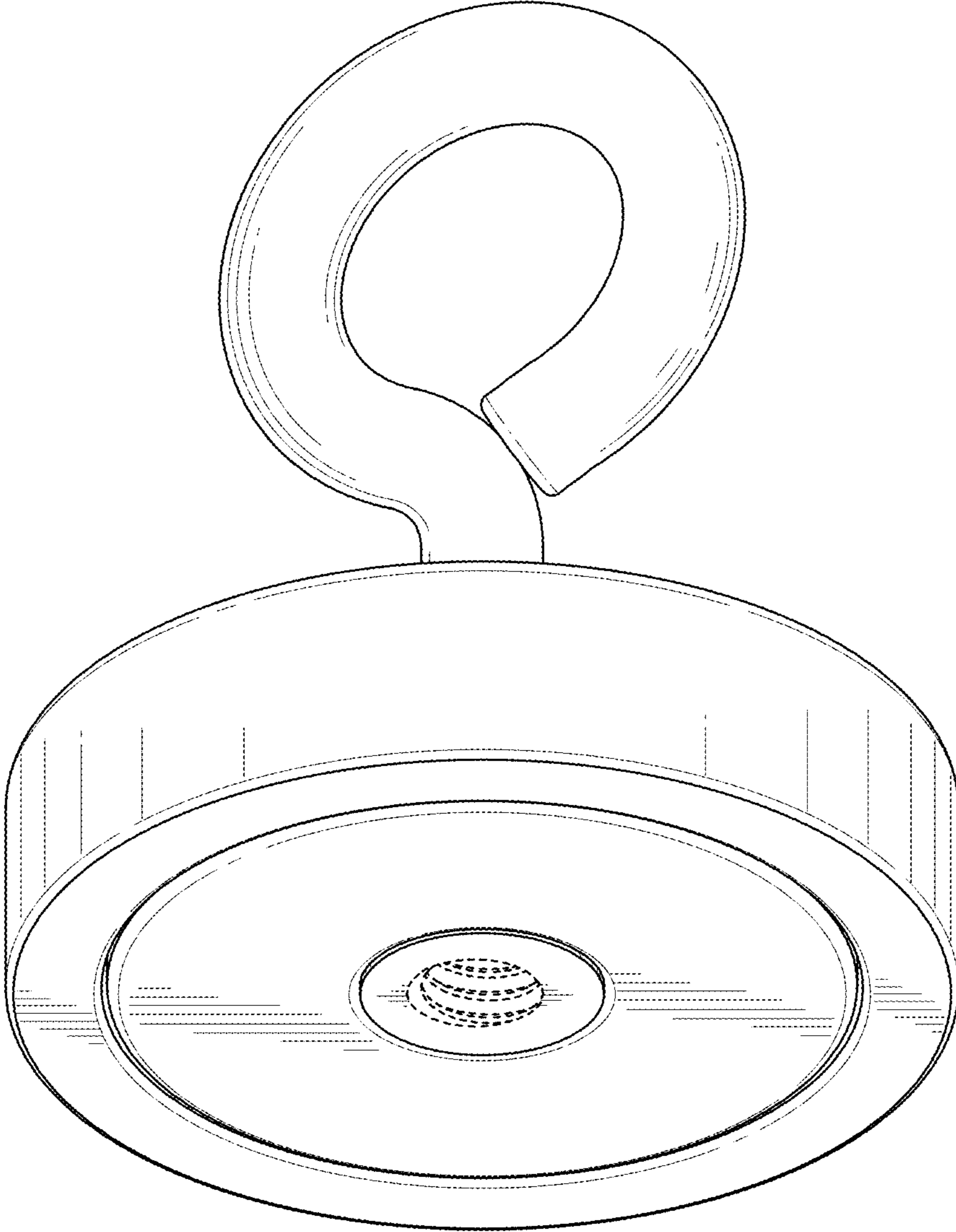


FIG. 2

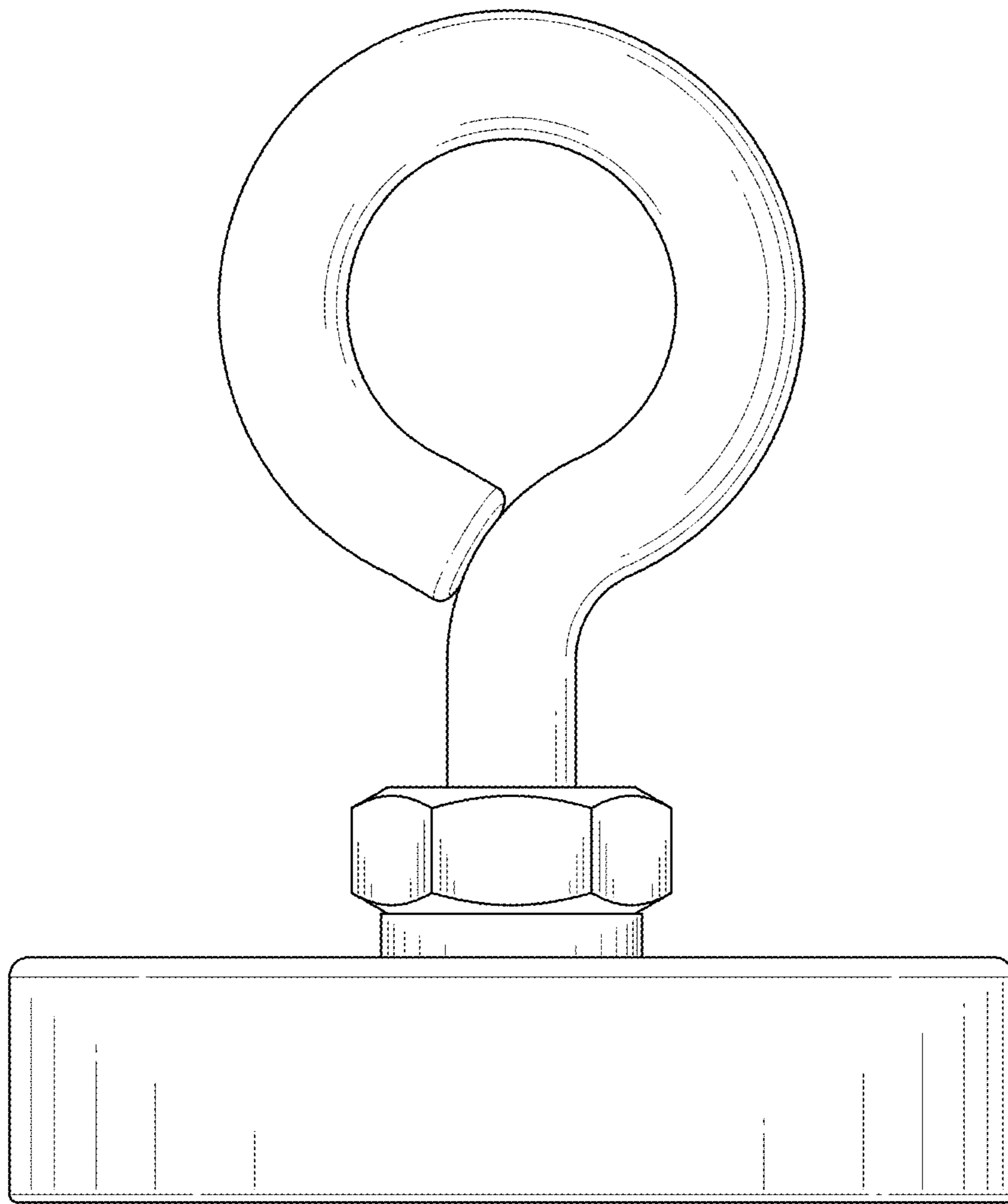


FIG. 3

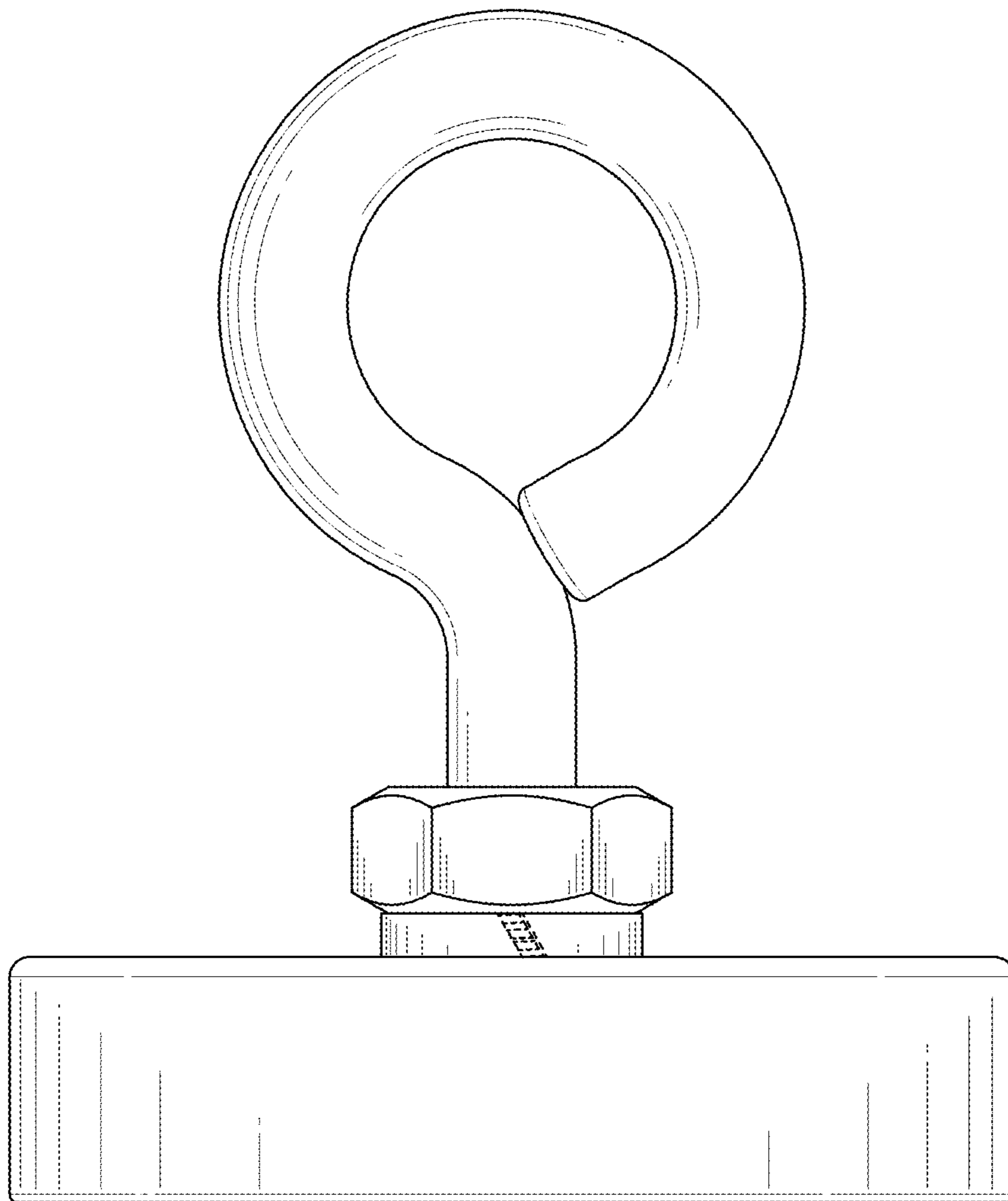


FIG. 4

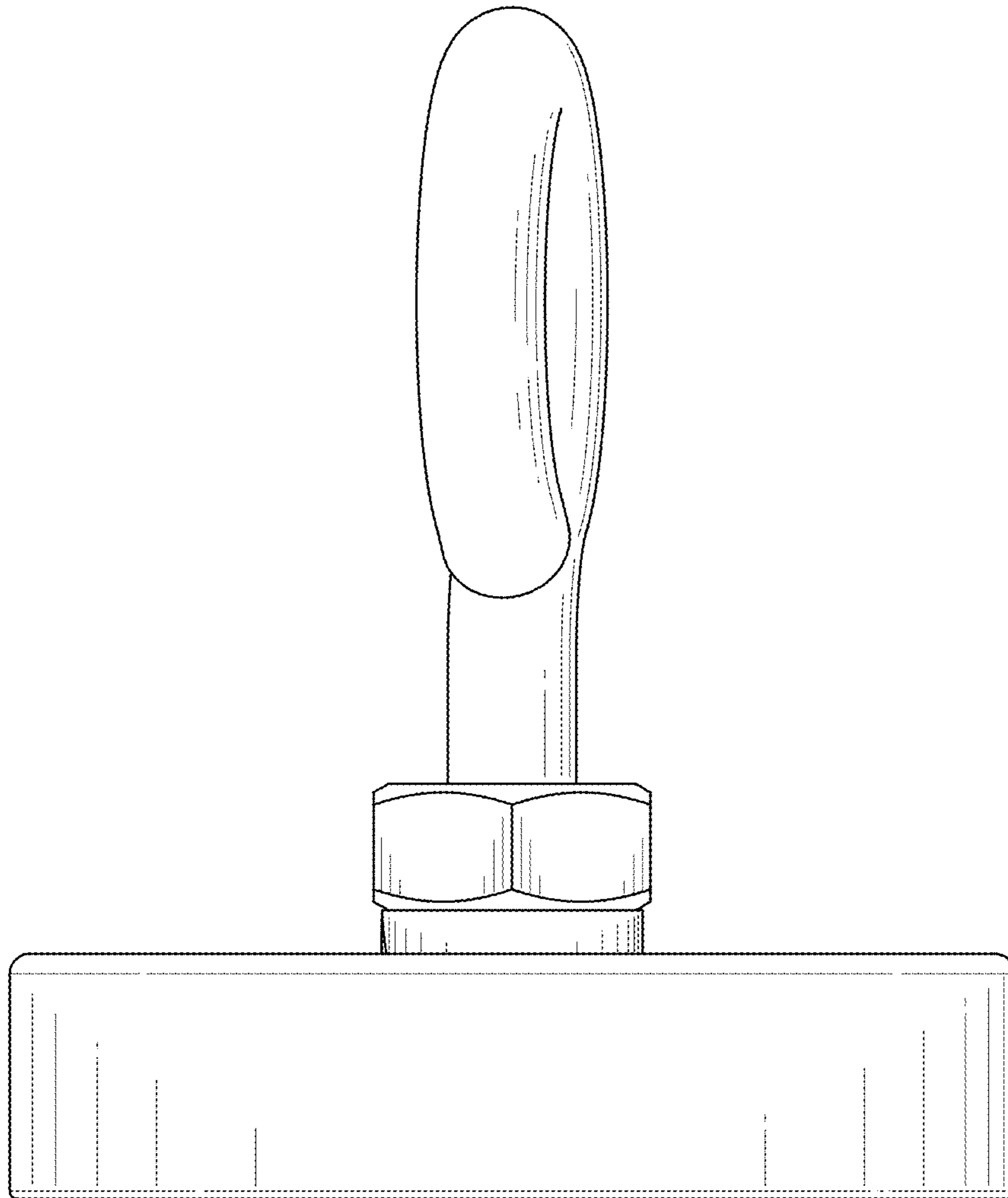


FIG. 5

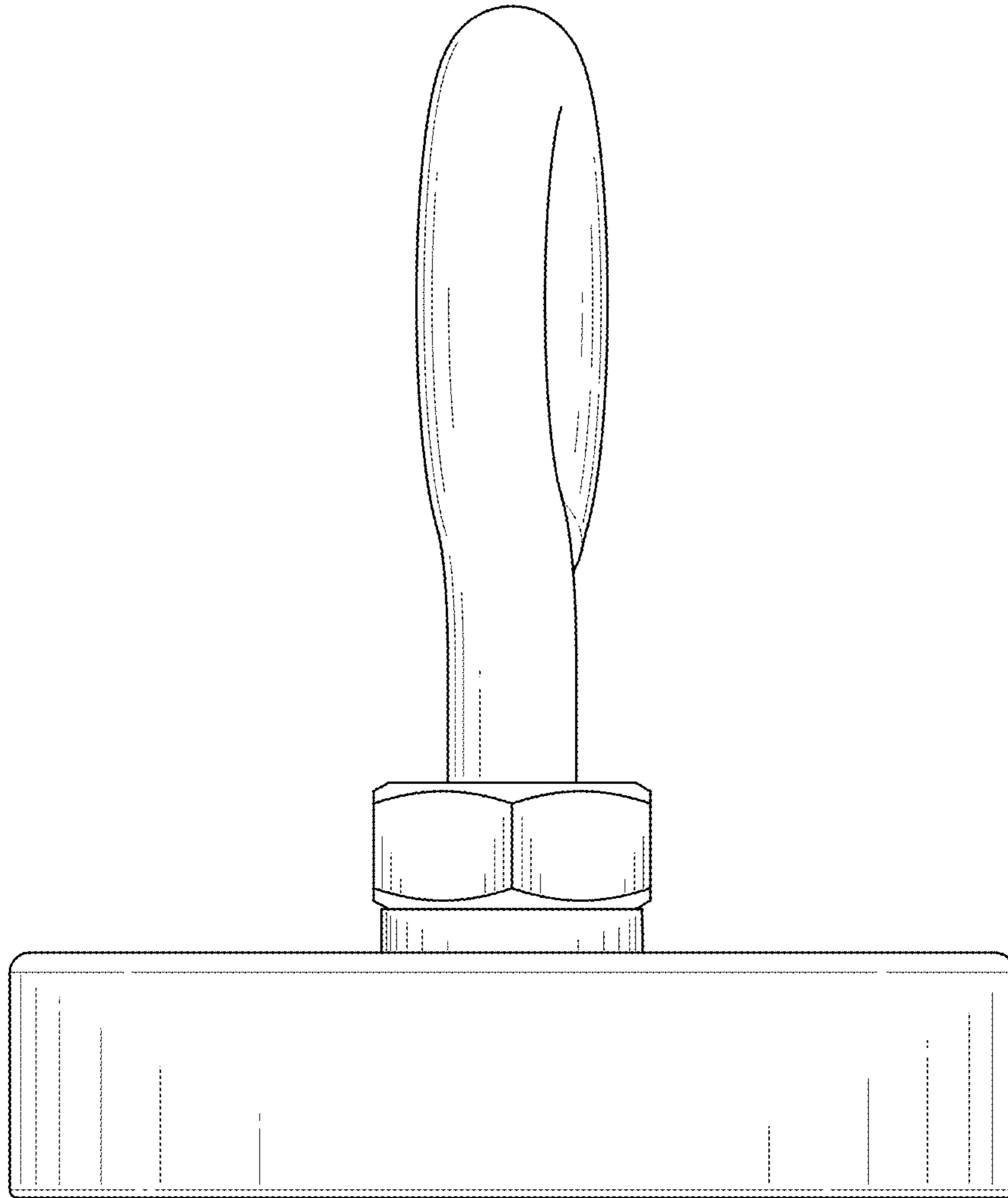


FIG. 6



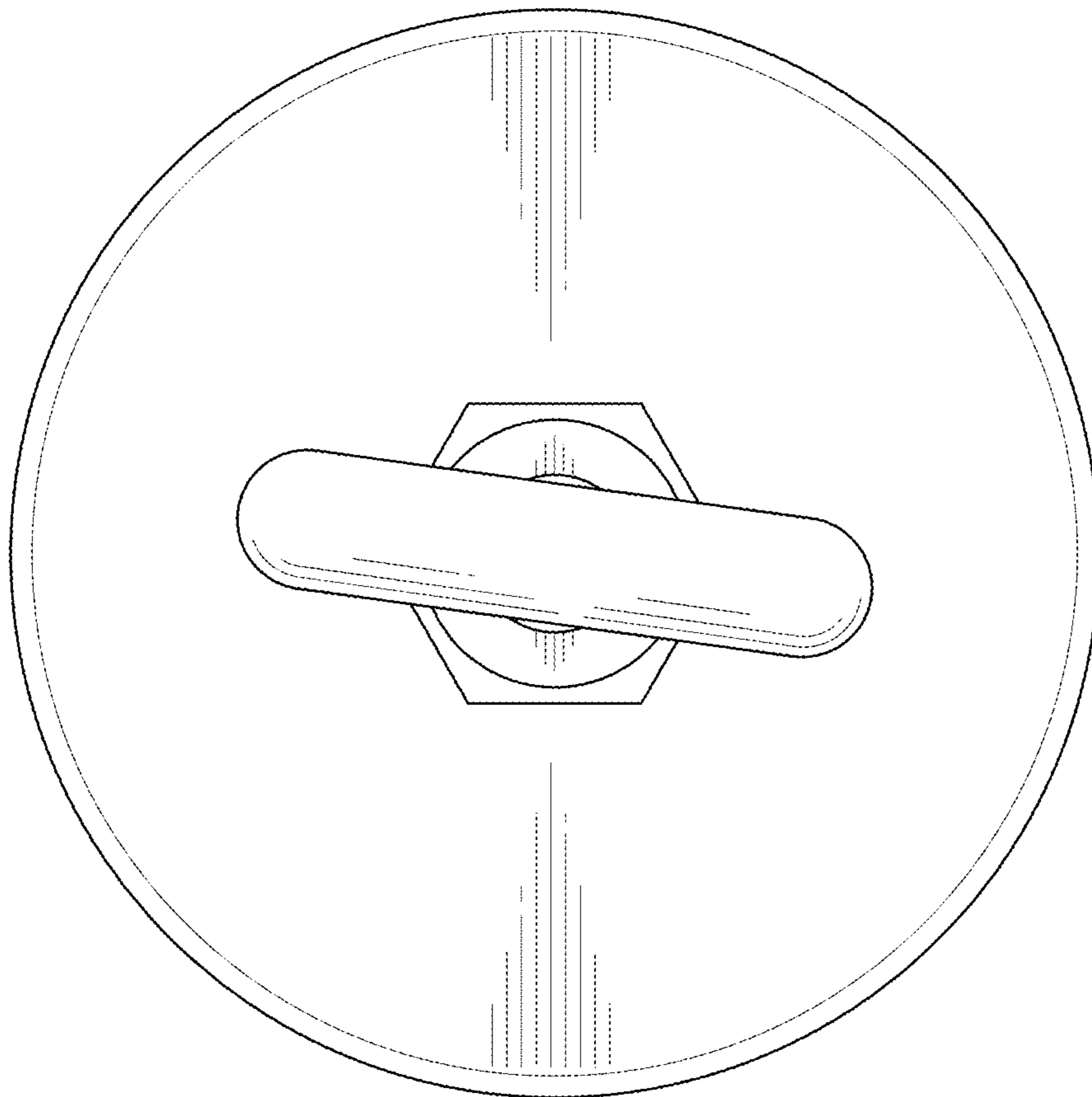


FIG. 7

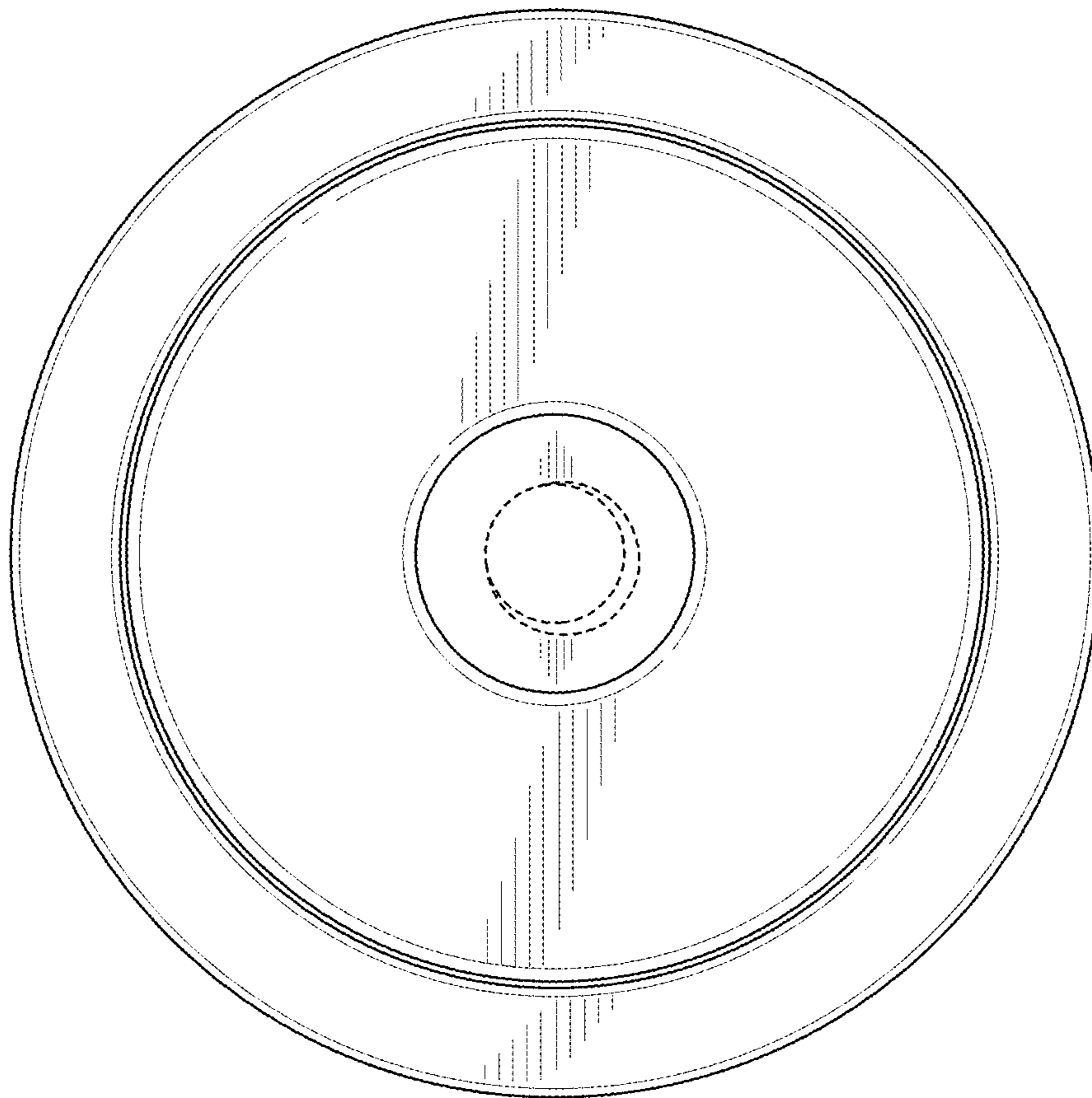


FIG. 8