

US00D966872S

(12) **United States Design Patent** (10) **Patent No.:** **US D966,872 S**
Liu (45) **Date of Patent:** **** Oct. 18, 2022**

(54) **MAGNETIC HOOK**

(71) Applicant: **Shenzhen Huashitai Technology Co., Ltd.**, Shenzhen (CN)

(72) Inventor: **Ping Liu**, Ji'an (CN)

(**) Term: **15 Years**

(21) Appl. No.: **29/839,756**

(22) Filed: **May 24, 2022**

(51) **LOC (13) Cl.** **08-11**

(52) **U.S. Cl.**
USPC **D8/367**

(58) **Field of Classification Search**
USPC D8/367, 354, 349, 373; D6/323;
248/301-304, 339
CPC A47G 1/00; A47G 25/00
See application file for complete search history.

(56) **References Cited**

U.S. PATENT DOCUMENTS

2,788,438	A *	4/1957	Lieuwen	F21L 14/02
					248/339
3,283,383	A *	11/1966	Heath	A01F 25/13
					D8/367
D241,119	S *	8/1976	Emminger	D8/367
D259,700	S *	6/1981	Chasen	D8/367
D354,429	S *	1/1995	McNaughton	D8/367

D446,110	S *	8/2001	McDuff	D8/367
D449,977	S *	11/2001	Dembowiak	D8/367
D472,795	S *	4/2003	Saxby	D8/367
D642,897	S *	8/2011	Berkowitz	D8/367
D667,293	S *	9/2012	Thompson	D8/367
D729,254	S *	5/2015	Sullivan	D14/440
D809,354	S *	2/2018	Richer	D8/14
D840,792	S *	2/2019	Sugasawara	D8/367
D917,266	S *	4/2021	Winnie	D8/367
D945,866	S *	3/2022	Luo	D8/367
D953,150	S *	5/2022	Luo	D8/367
D960,694	S *	8/2022	Chen	D8/367
2014/0339389	A1 *	11/2014	Futrell	A47B 97/00
					248/303

* cited by examiner

Primary Examiner — Cynthia R Underwood

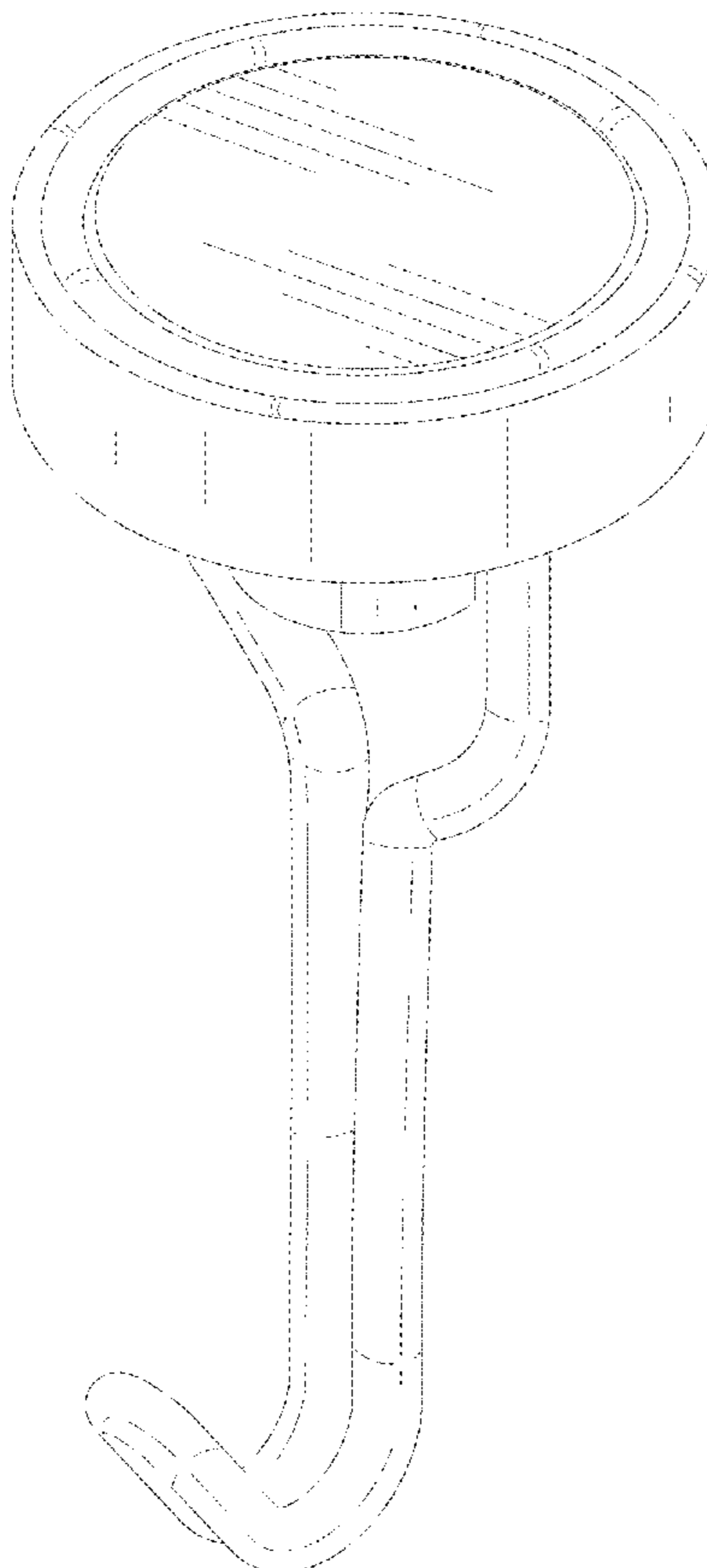
(57) **CLAIM**

The ornamental design for a magnetic hook, as shown and described.

DESCRIPTION

FIG. 1 is a front perspective view of a magnetic hook, showing my new design;
FIG. 2 is a from view thereof;
FIG. 3 is a rear view thereof;
FIG. 4 is a right side view thereof;
FIG. 5 is a left side view thereof;
FIG. 6 is a bottom view thereof; and,
FIG. 7 is a top view thereof.

1 Claim, 7 Drawing Sheets



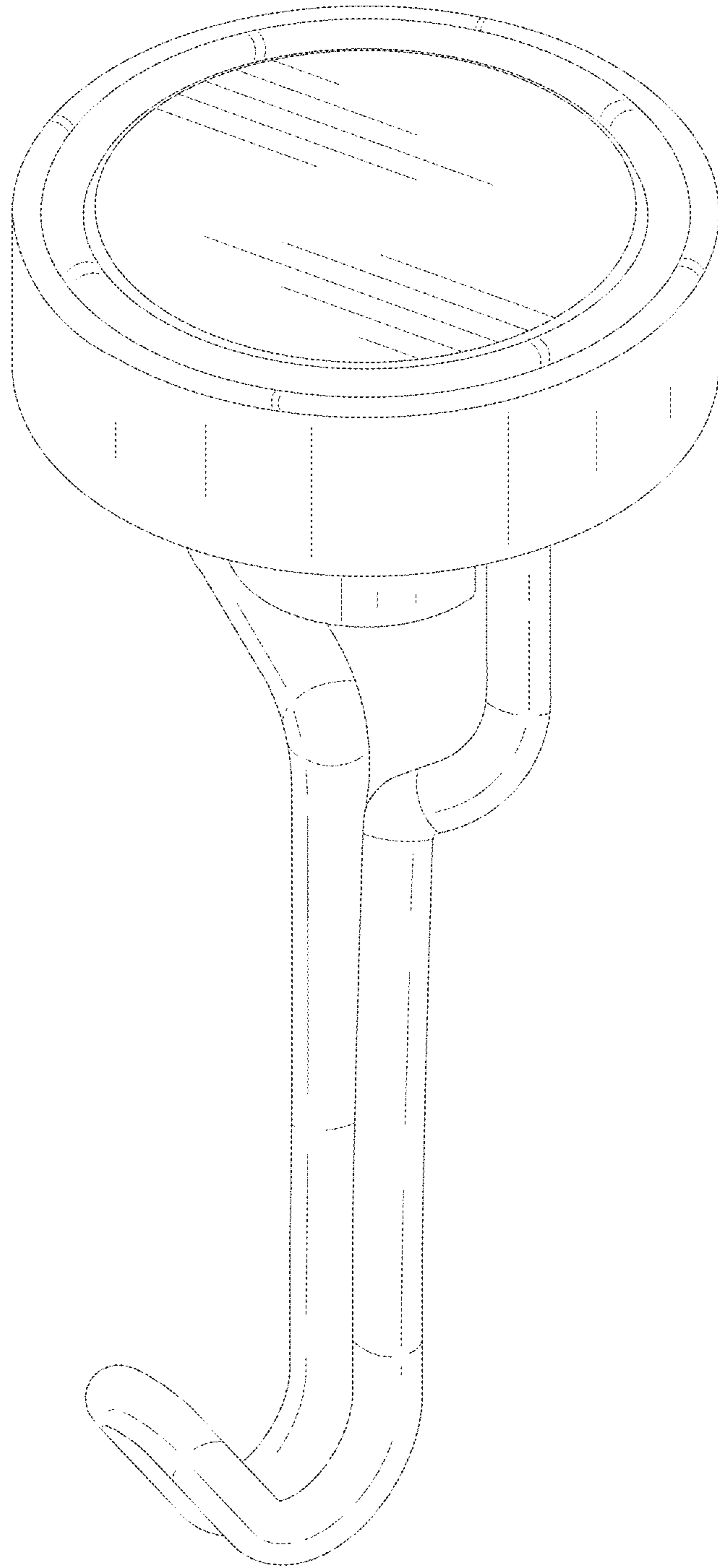


FIG. 1

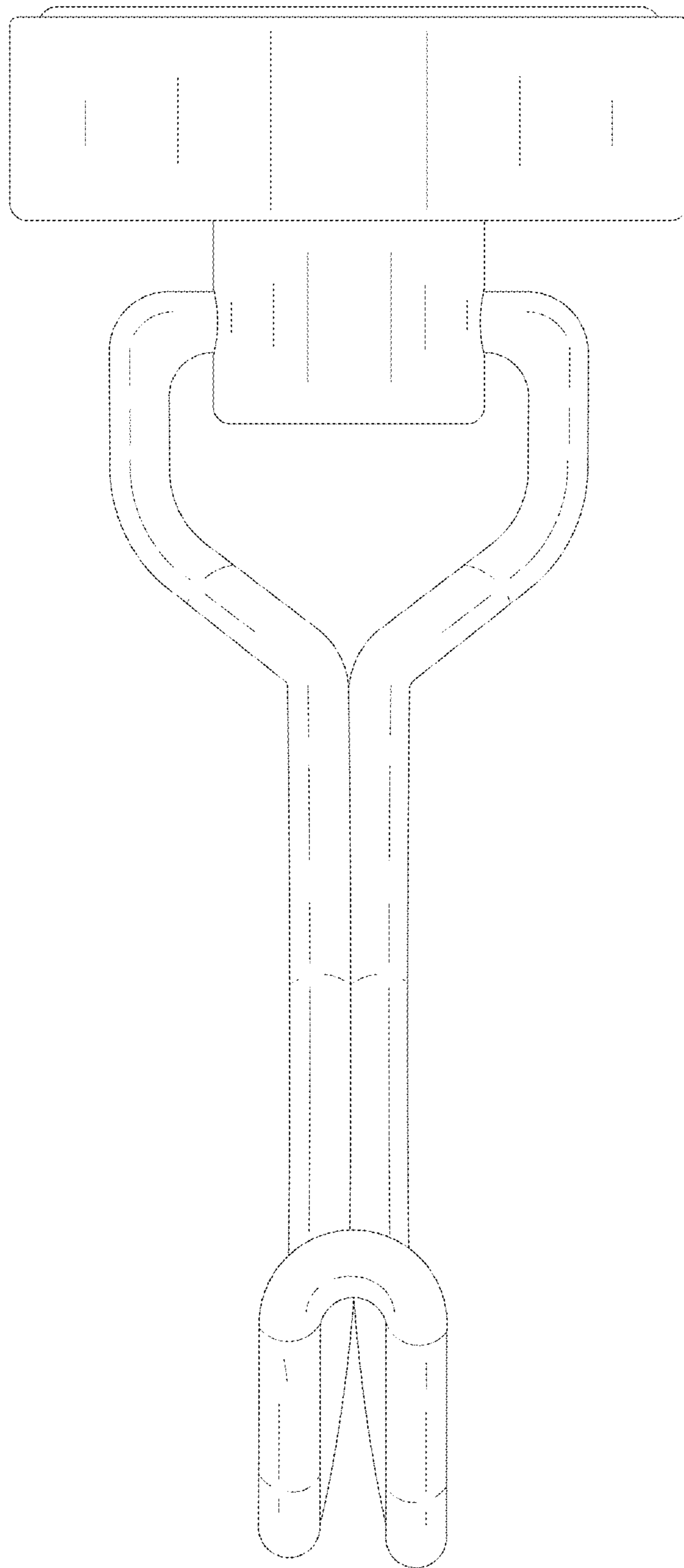


FIG. 2

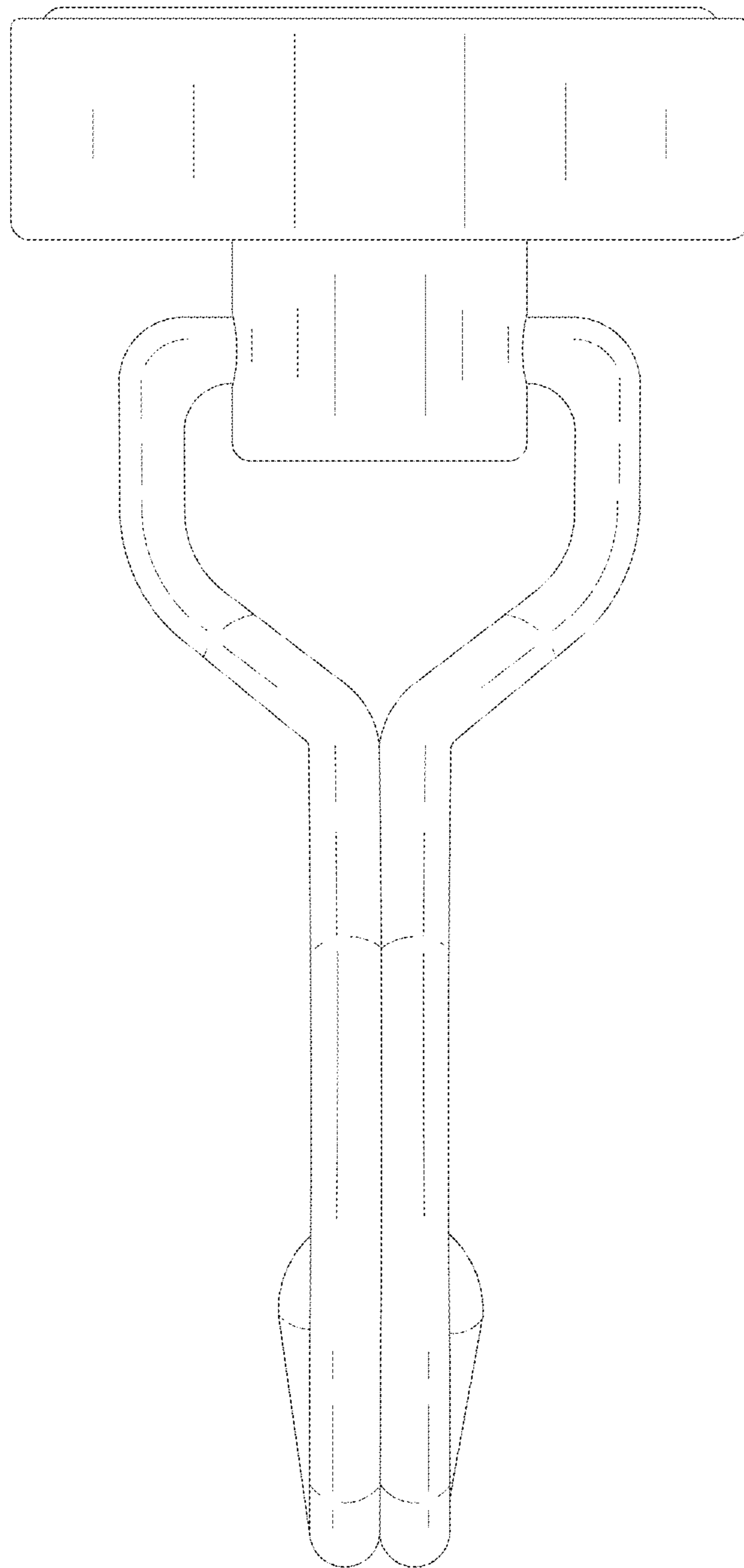


FIG. 3

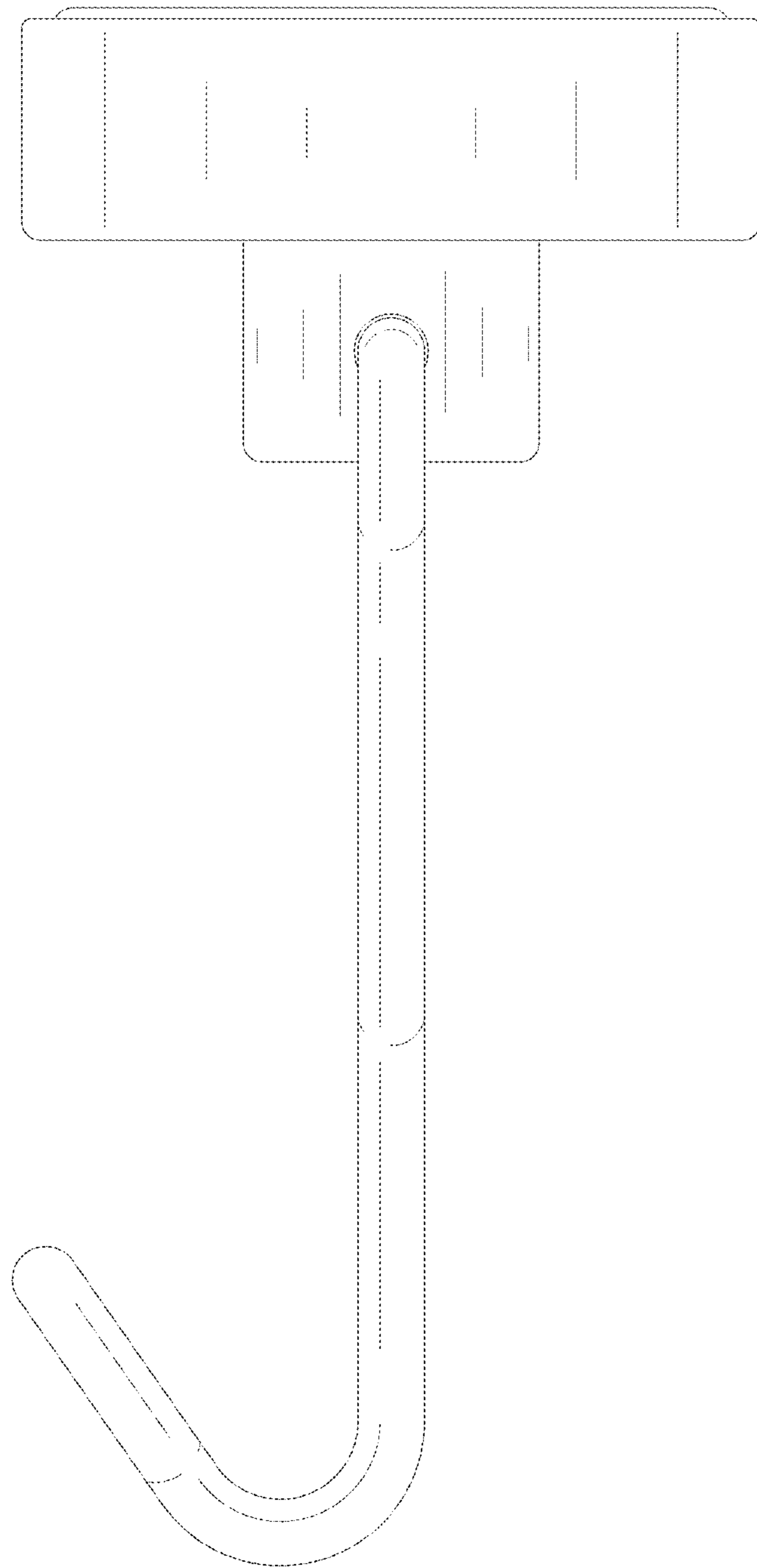


FIG. 4

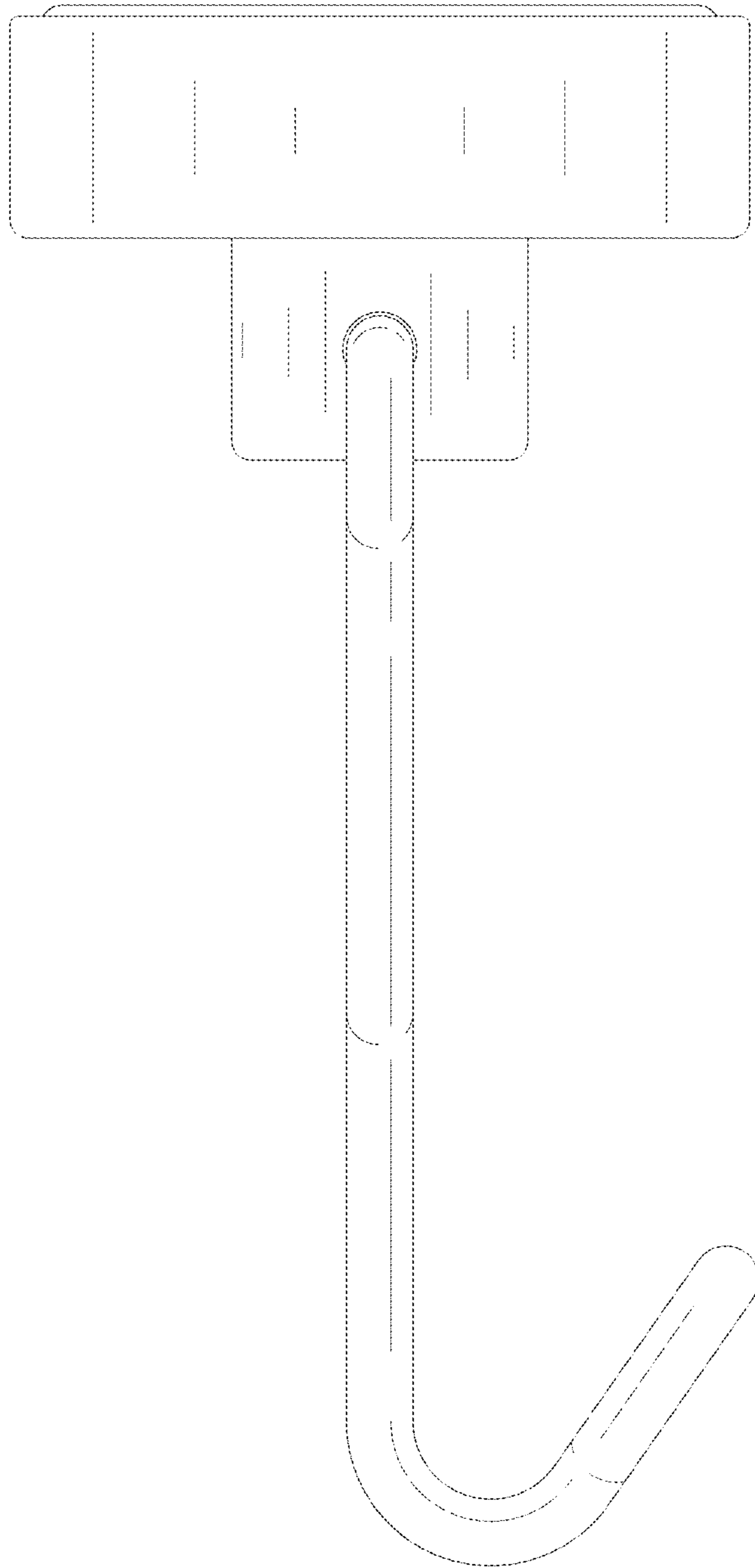


FIG. 5

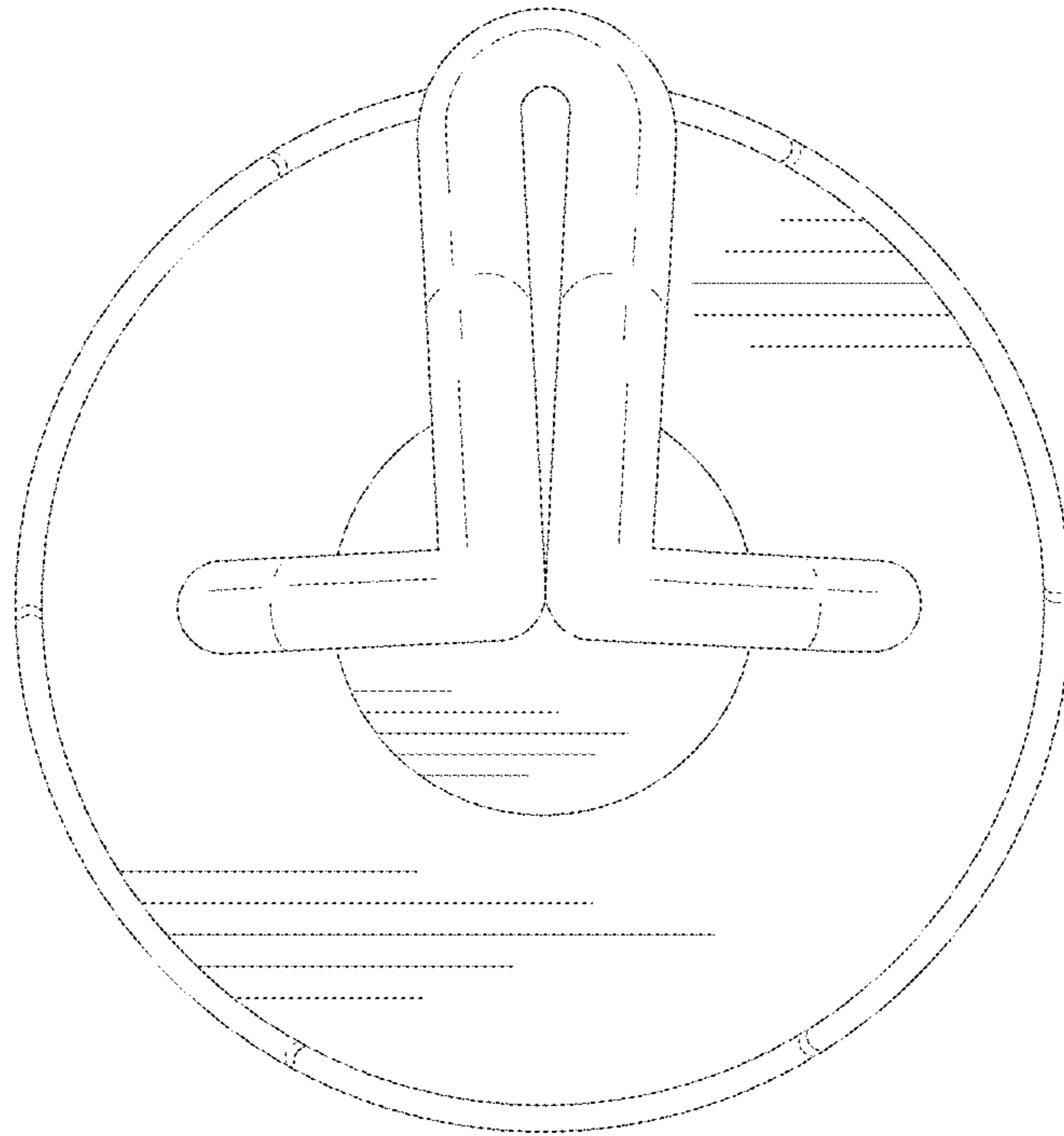


FIG. 6

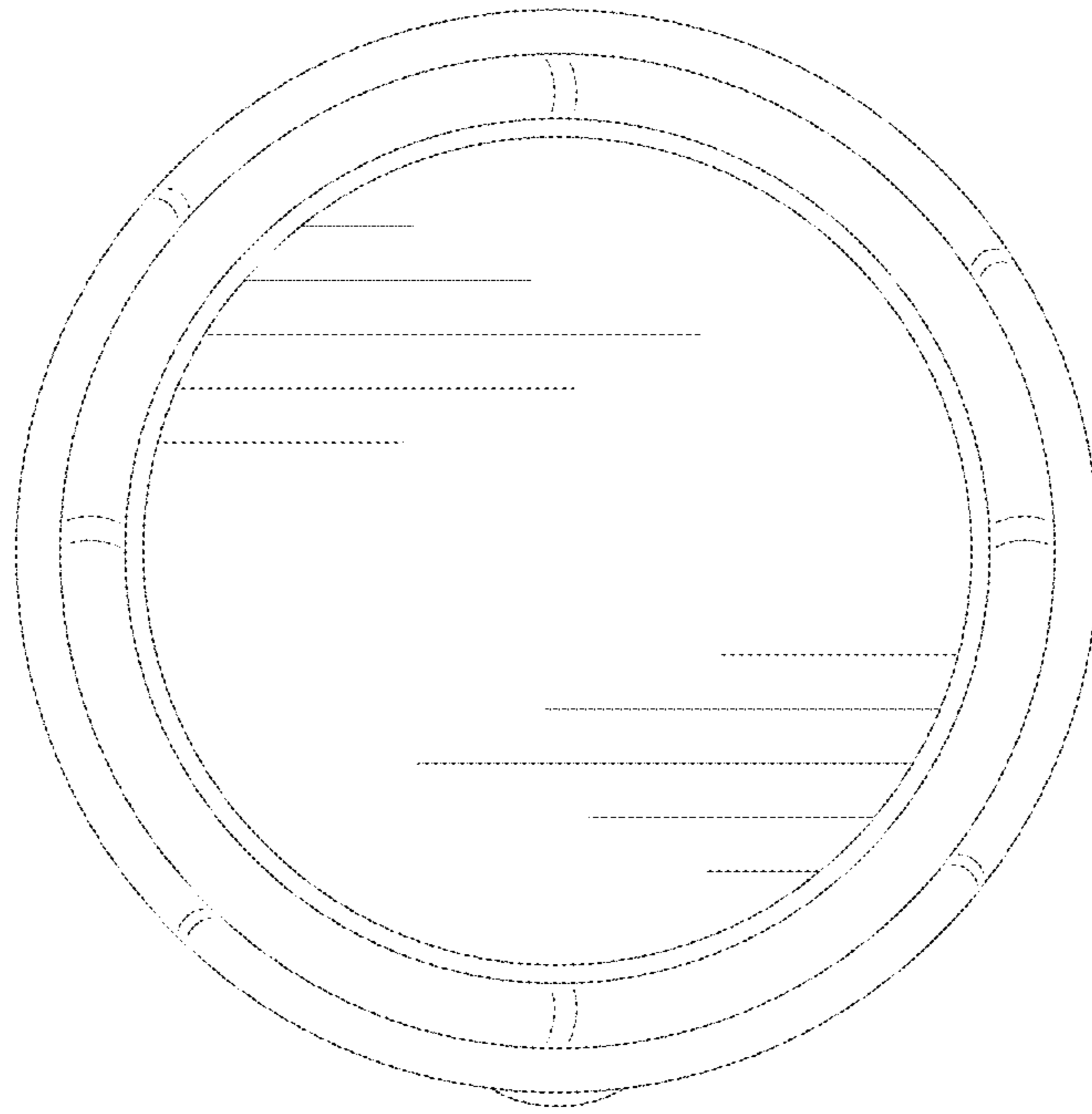


FIG. 7