

US00D966871S

(12) **United States Design Patent**
Wang

(10) **Patent No.:** **US D966,871 S**
(45) **Date of Patent:** **** Oct. 18, 2022**

- (54) **HOOK**
- (71) Applicant: **Yuyang Wang**, Nanyang (CN)
- (72) Inventor: **Yuyang Wang**, Nanyang (CN)
- (**) Term: **15 Years**
- (21) Appl. No.: **29/818,717**
- (22) Filed: **Dec. 10, 2021**
- (51) **LOC (13) Cl.** **08-11**
- (52) **U.S. Cl.**
USPC **D8/367**
- (58) **Field of Classification Search**
USPC D8/367, 354, 349, 373; D6/323;
248/301-304, 339
CPC A47G 1/00; A47G 25/00
See application file for complete search history.

D658,029	S	*	4/2012	Fulkerson	D8/301
D670,997	S	*	11/2012	Thompson	D8/367
D734,133	S	*	7/2015	Spindler	F21V 21/0808
						D8/367
D761,093	S	*	7/2016	Liu	D8/367
D801,787	S		11/2017	Pan et al.		
D810,548	S	*	2/2018	Lynn	D8/367
D811,201	S	*	2/2018	Berger	D8/367
D811,862	S	*	3/2018	Berger	D8/367
D812,454	S	*	3/2018	Berger	D8/367
D818,353	S	*	5/2018	Sacks	D8/367
D819,431	S		6/2018	Goodman et al.		
D821,184	S	*	6/2018	Berger	D8/367
D835,422	S	*	12/2018	Cohen	D8/372
D842,083	S	*	3/2019	Thompson	D8/367
D867,771	S	*	11/2019	Zhong	D6/323
D935,312	S	*	11/2021	Zhou	D8/367
D939,330	S	*	12/2021	Zhou	D8/367
D941,129	S	*	1/2022	Chen	D8/367
D946,384	S	*	3/2022	Zhang	D8/367
D948,997	S	*	4/2022	Wang	D8/367
D953,849	S	*	6/2022	Liu	D8/367

* cited by examiner

Primary Examiner — Cynthia R Underwood

(56) **References Cited**

U.S. PATENT DOCUMENTS

2,679,998	A	*	6/1954	Keller	F16B 47/003
						D8/367
2,765,998	A	*	10/1956	Engert	A47G 1/17
						248/467
3,637,181	A	*	1/1972	Janssen	A47G 1/17
						156/320
4,003,538	A	*	1/1977	Frye	A47G 1/17
						24/304
D304,655	S	*	11/1989	Pool	D6/323
D327,641	S	*	7/1992	Hoskinson	D8/367
D356,941	S	*	4/1995	Reddick	D8/367
D374,602	S	*	10/1996	Protz, Jr.	D8/367
6,081,975	A	*	7/2000	Norrby	F16B 45/00
						294/82.2
D432,316	S	*	10/2000	Duggan	D8/372
D542,038	S	*	5/2007	Tau	D6/323
D580,185	S	*	11/2008	Lee	D6/323
D590,577	S	*	4/2009	Bruno	D2/999

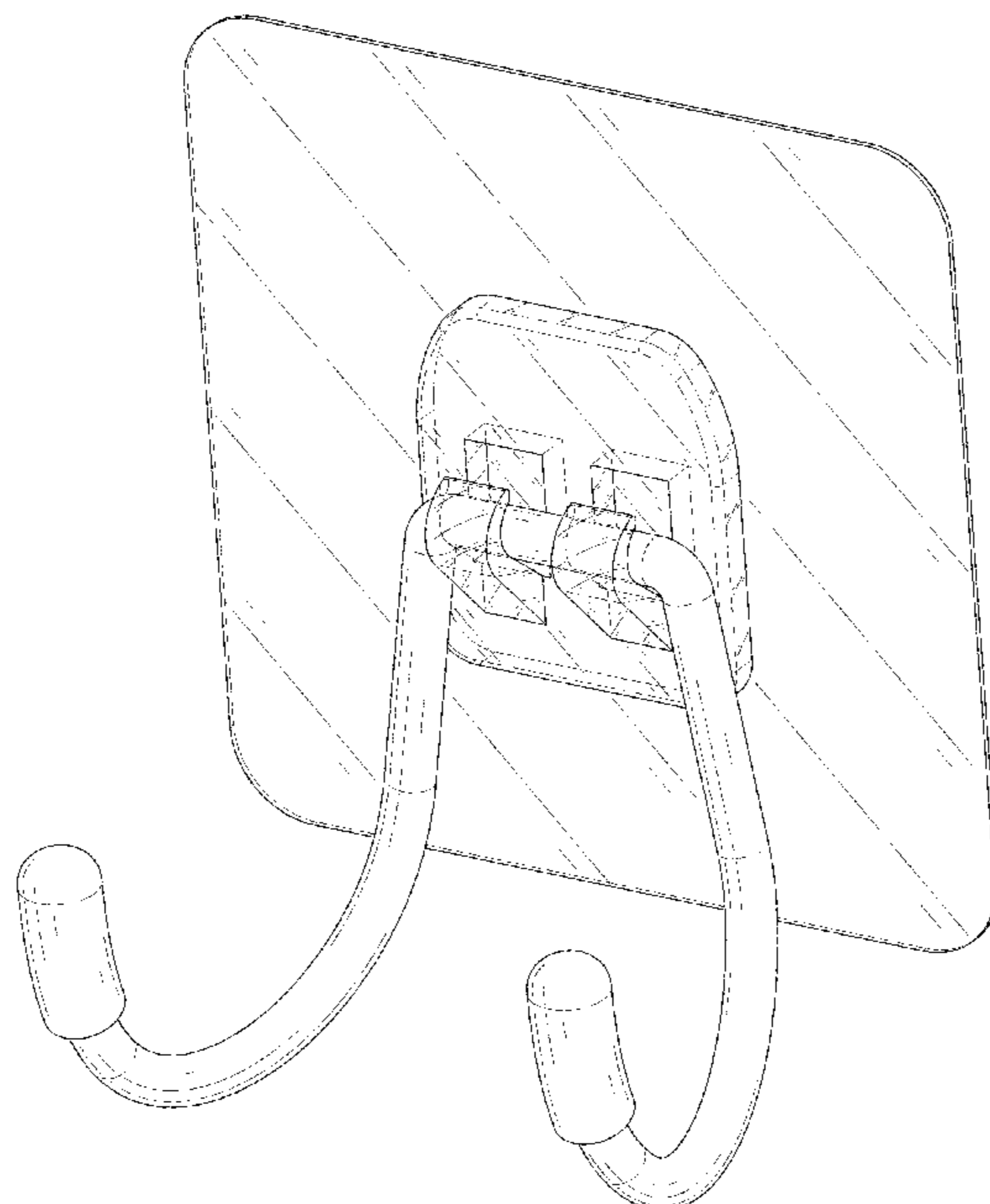
(57) **CLAIM**

The ornamental design for a hook, as shown and described.

DESCRIPTION

FIG. 1 is a perspective view of a hook showing my new design;
 FIG. 2 is another perspective view thereof;
 FIG. 3 is a front elevational view thereof;
 FIG. 4 is a rear elevational view thereof;
 FIG. 5 is a left side elevational view thereof;
 FIG. 6 is a right side elevational view thereof;
 FIG. 7 is a top plan view thereof; and,
 FIG. 8 is a bottom plan view thereof.

1 Claim, 8 Drawing Sheets



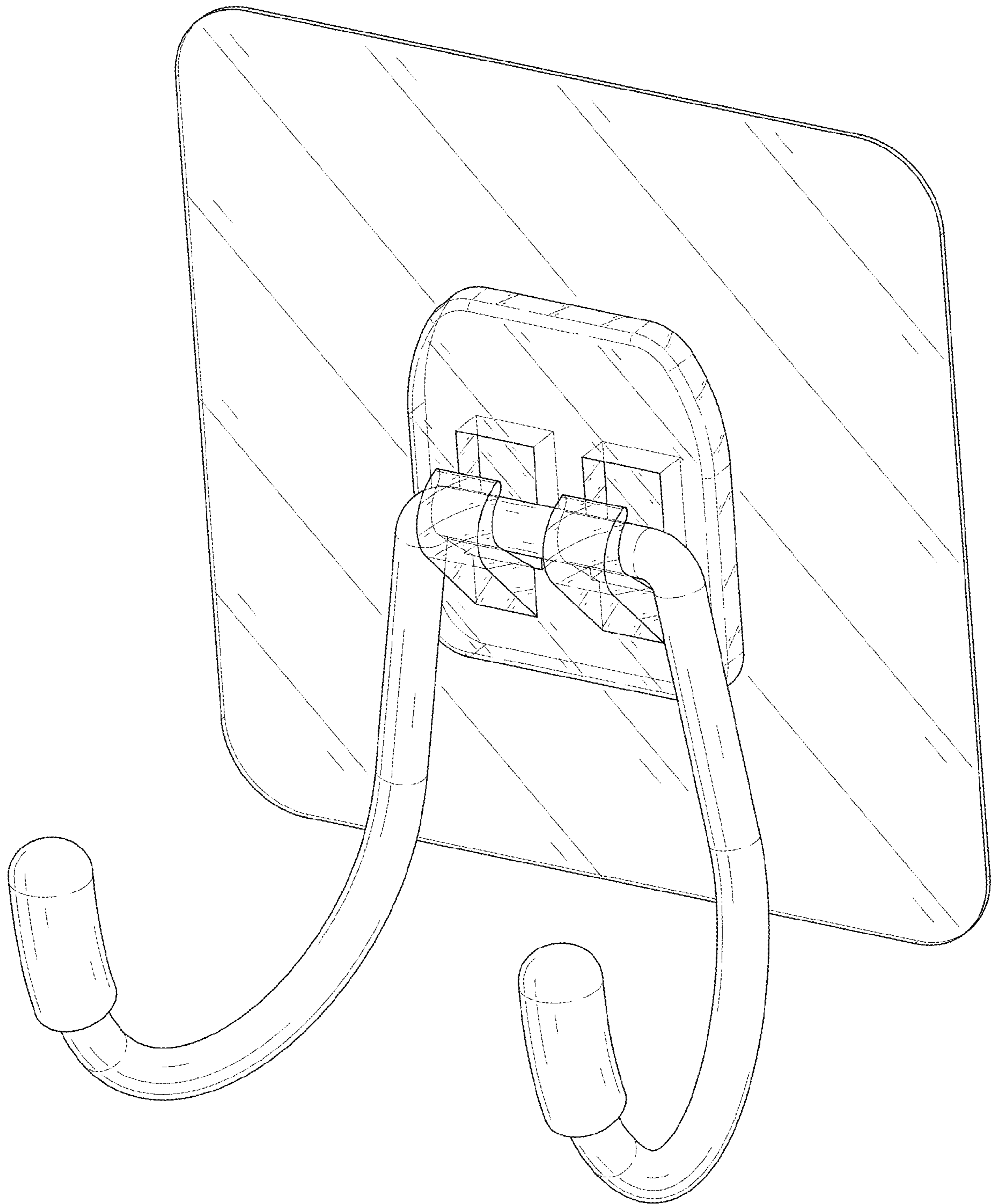


FIG. 1

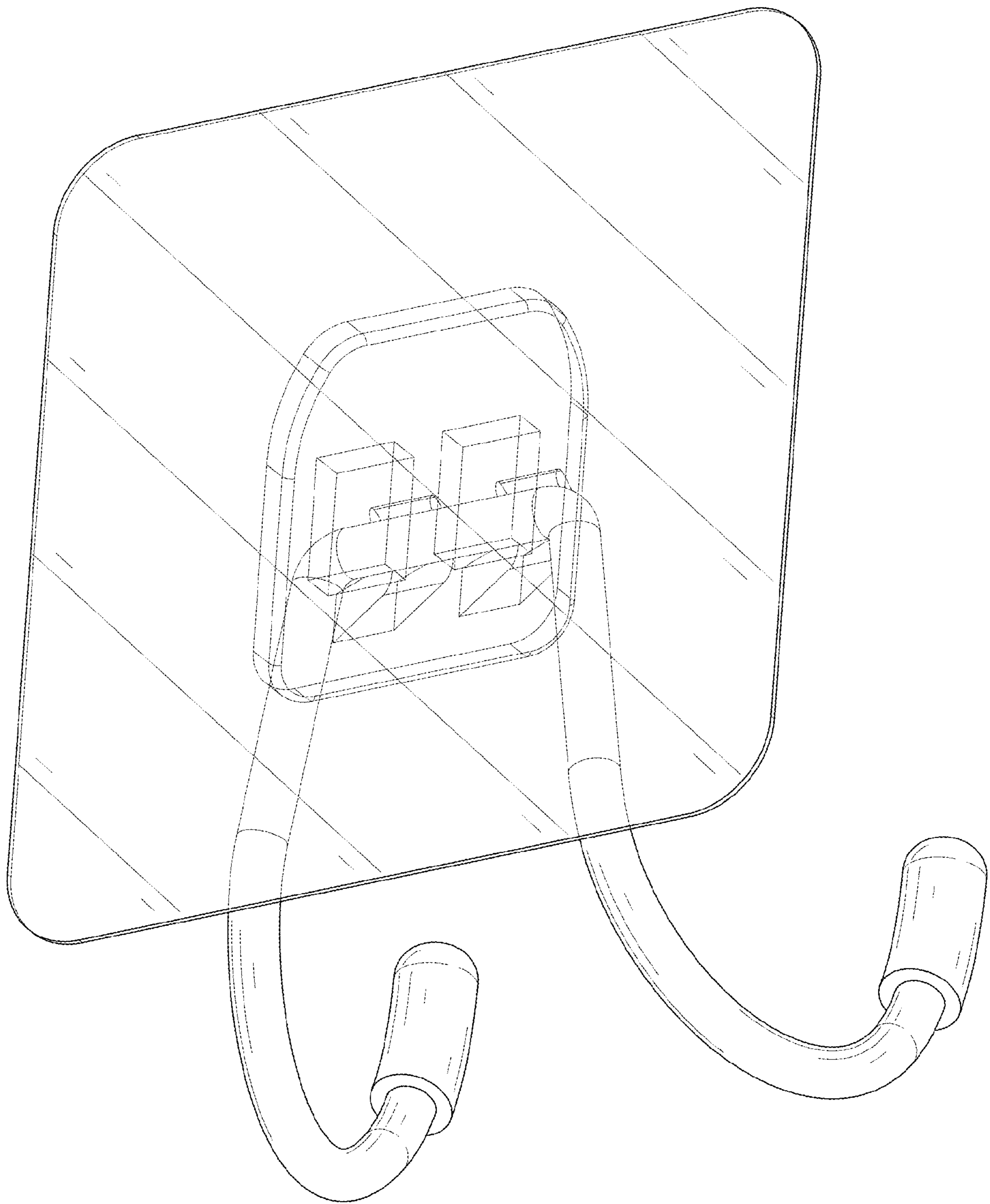


FIG. 2

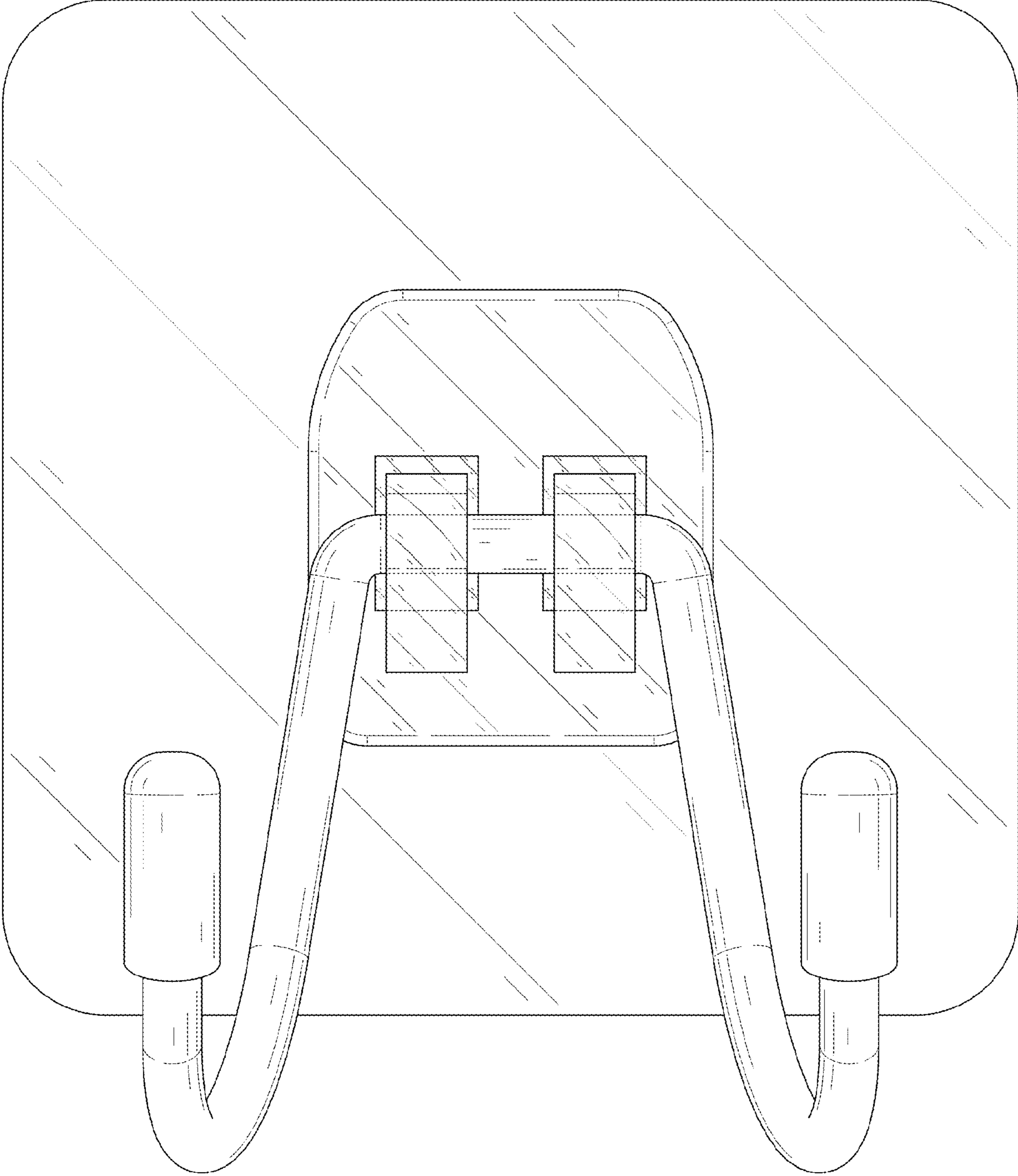


FIG. 3

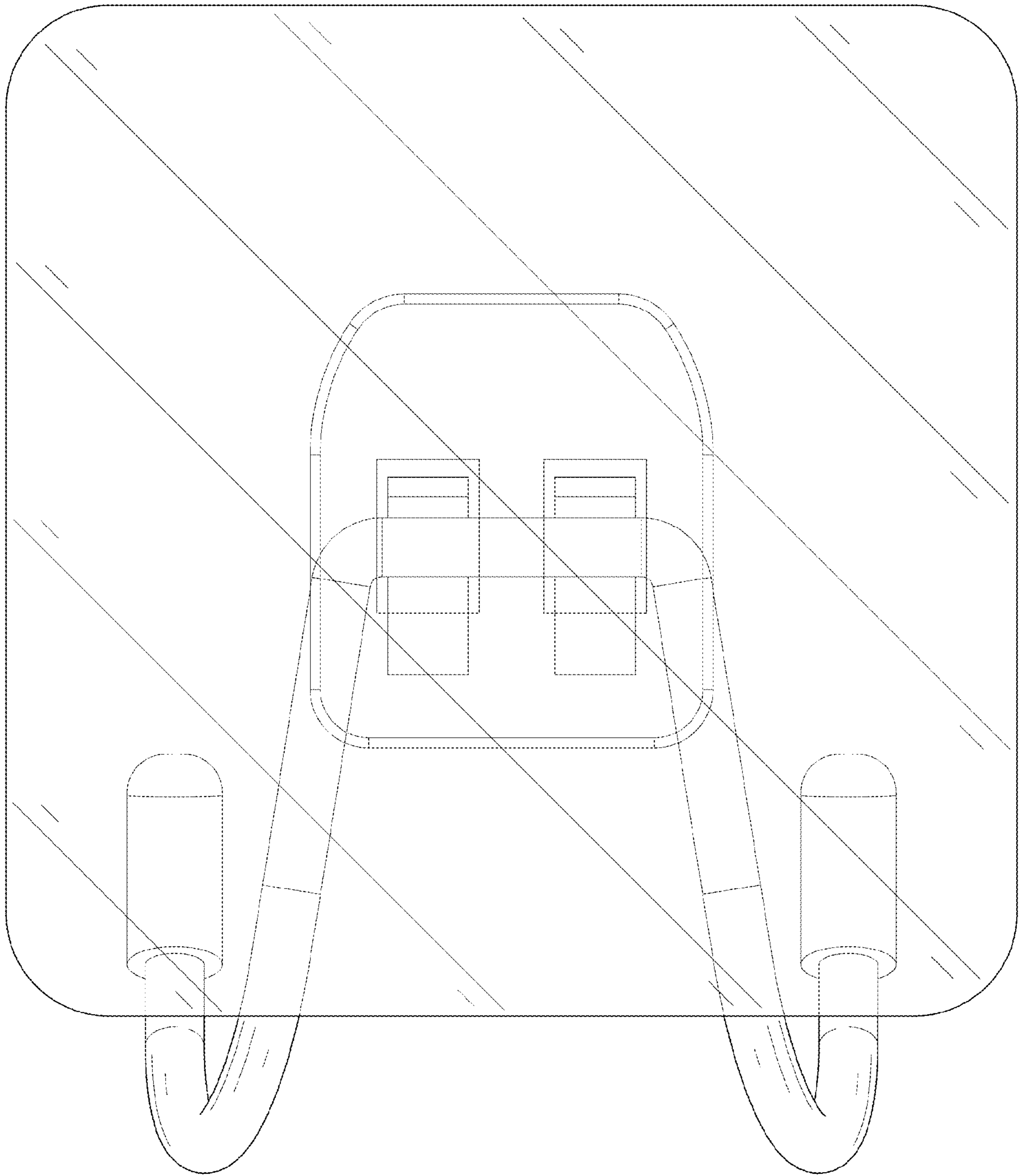


FIG. 4

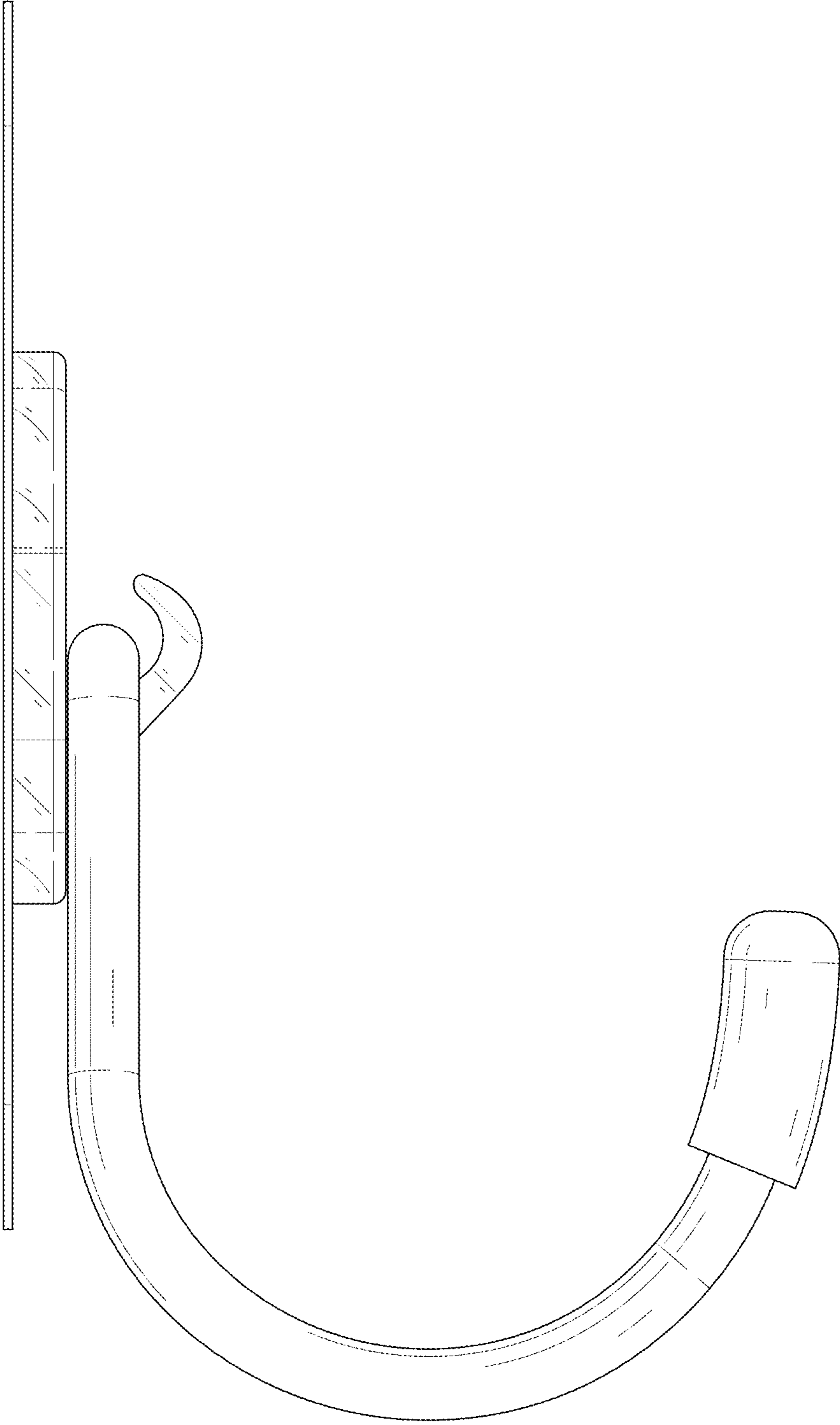


FIG. 5

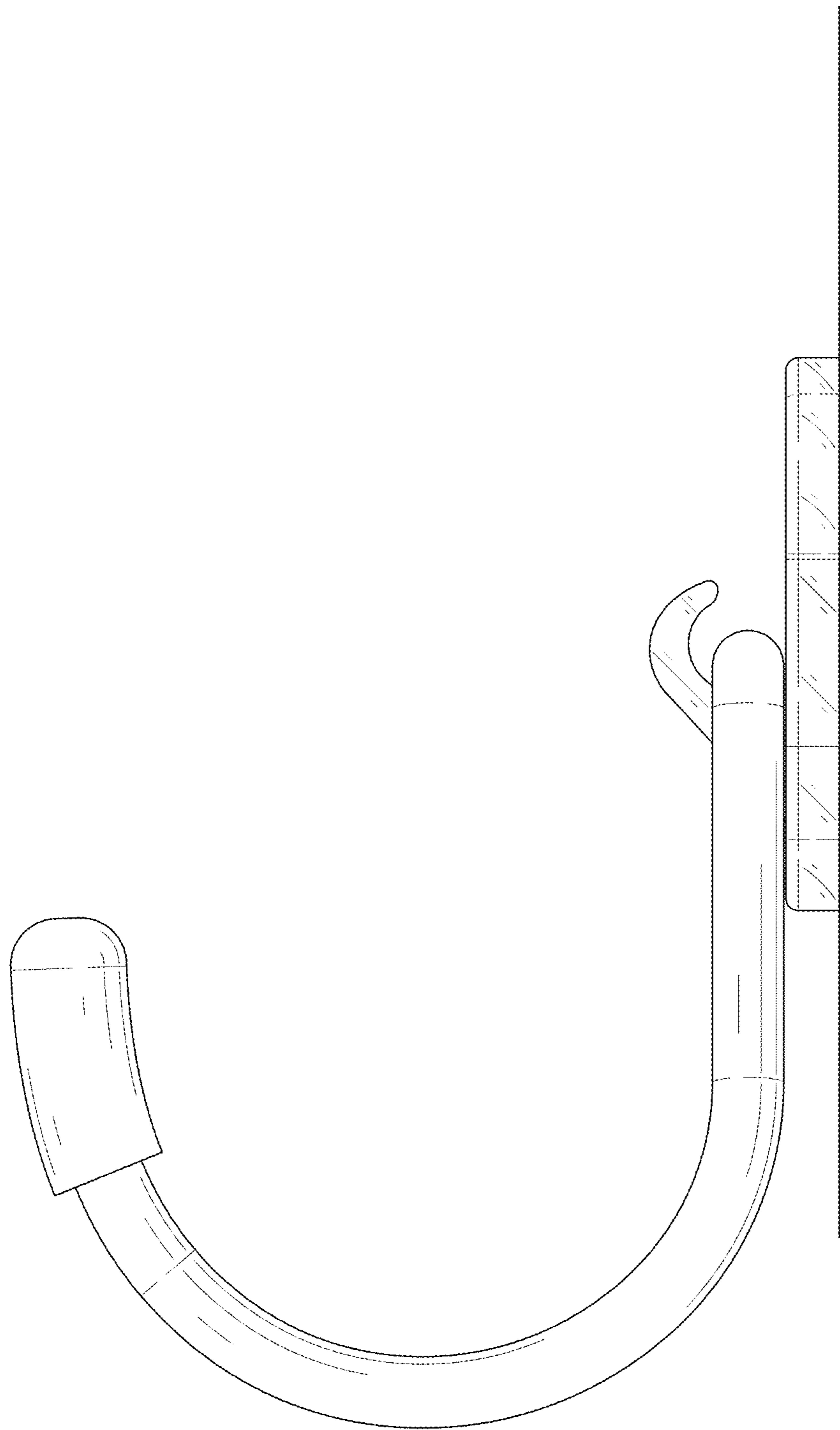


FIG. 6

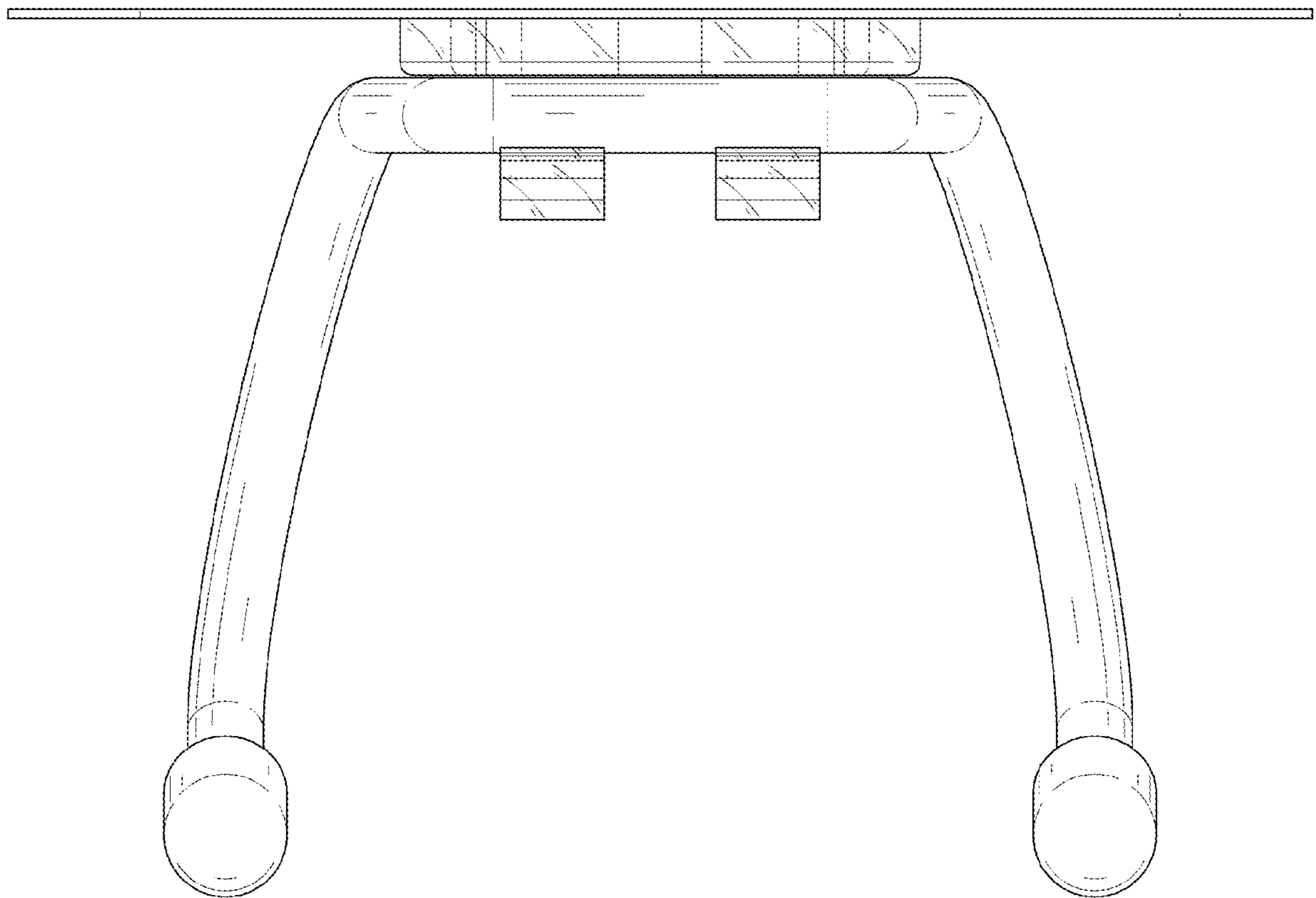


FIG. 7

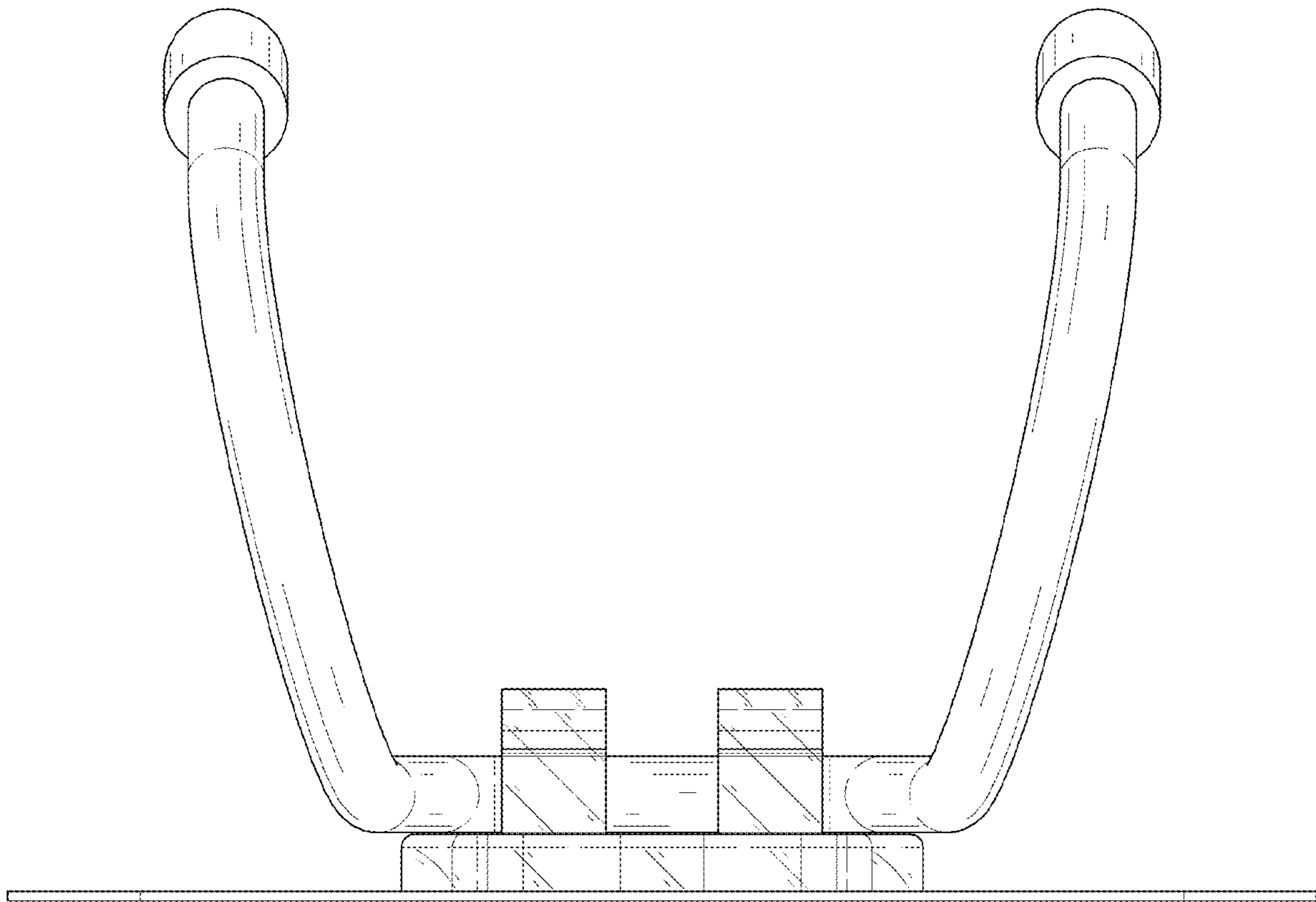


FIG. 8