

US00D966870S

(12) **United States Design Patent**  
**Wu**

(10) **Patent No.:** **US D966,870 S**  
(45) **Date of Patent:** **\*\* Oct. 18, 2022**

- (54) **HOOK**
- (71) Applicant: **Changsha Zhide E-commerce Co., Ltd.**, Changsha (CN)
- (72) Inventor: **Qing Wu**, Changsha (CN)
- (73) Assignee: **Changsha Zhide E-commerce Co., Ltd.**, Changsha (CN)
- (\*\*) Term: **15 Years**
- (21) Appl. No.: **29/805,742**
- (22) Filed: **Aug. 30, 2021**
- (30) **Foreign Application Priority Data**  
Jul. 28, 2021 (CN) ..... 202130483914.9
- (51) **LOC (13) Cl.** ..... **08-11**
- (52) **U.S. Cl.**  
USPC ..... **D8/367**
- (58) **Field of Classification Search**  
USPC ..... D8/367, 354, 349, 356; D12/162;  
224/248, 268, 904; 248/62  
CPC .... A47G 29/083; F16B 45/00; A63B 21/0557  
See application file for complete search history.

- (56) **References Cited**  
U.S. PATENT DOCUMENTS
- |                |        |                 |       |                      |
|----------------|--------|-----------------|-------|----------------------|
| D354,675 S *   | 1/1995 | Bannister       | ..... | D8/367               |
| D422,198 S *   | 4/2000 | Snell           | ..... | D8/367               |
| 7,047,601 B1 * | 5/2006 | Vernon-Woods    | ..... | A45F 5/02<br>24/3.12 |
| D573,449 S     | 7/2008 | Goodman et al.  |       |                      |
| D584,939 S *   | 1/2009 | Snell           | ..... | D8/367               |
| D632,951 S     | 2/2011 | McGreevy et al. |       |                      |
| D635,846 S     | 4/2011 | Klein et al.    |       |                      |
| D641,228 S *   | 7/2011 | Qiblawi         | ..... | D8/367               |

- |                 |         |                  |       |                     |
|-----------------|---------|------------------|-------|---------------------|
| D668,938 S *    | 10/2012 | Morales          | ..... | D8/367              |
| D697,785 S *    | 1/2014  | Davis            | ..... | D8/367              |
| D700,828 S      | 3/2014  | Goodman et al.   |       |                     |
| D715,133 S *    | 10/2014 | Pan              | ..... | D8/367              |
| D715,625 S *    | 10/2014 | Pan              | ..... | D8/367              |
| D715,626 S *    | 10/2014 | Pan              | ..... | D8/367              |
| D746,127 S *    | 12/2015 | Cohen            | ..... | D8/367              |
| D764,901 S *    | 8/2016  | Esparza          | ..... | D8/367              |
| D809,905 S      | 2/2018  | Gunderson et al. |       |                     |
| D810,547 S *    | 2/2018  | Lynn             | ..... | D8/367              |
| D819,431 S      | 6/2018  | Goodman et al.   |       |                     |
| D850,244 S      | 6/2019  | Goodman et al.   |       |                     |
| D853,223 S      | 7/2019  | Chang et al.     |       |                     |
| D859,132 S *    | 9/2019  | Abeel            | ..... | D8/367              |
| D864,698 S *    | 10/2019 | Wilson           | ..... | A45F 5/00<br>D8/367 |
| D880,990 S      | 4/2020  | Liu              |       |                     |
| D893,985 S      | 8/2020  | Dankert          |       |                     |
| D900,597 S *    | 11/2020 | Lee              | ..... | D8/367              |
| D906,097 S      | 12/2020 | Krull et al.     |       |                     |
| D907,990 S      | 1/2021  | Yu et al.        |       |                     |
| 11,076,534 B1 * | 8/2021  | Kacines          | ..... | A47G 25/0614        |
- (Continued)

Primary Examiner — Cynthia R Underwood  
(74) Attorney, Agent, or Firm — Westbridge IP LLC

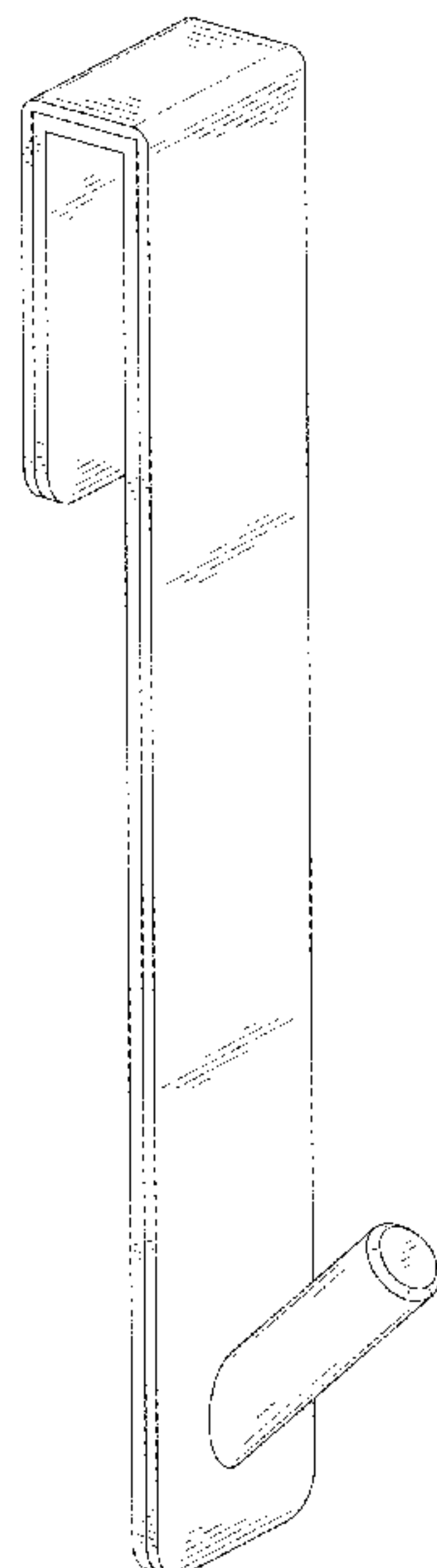
(57) **CLAIM**

The ornamental design for a hook, as shown and described.

**DESCRIPTION**

FIG. 1 is a front perspective view of a hook showing my new design;  
FIG. 2 is a rear perspective view thereof;  
FIG. 3 is a front elevation view thereof;  
FIG. 4 is a rear elevation view thereof;  
FIG. 5 is a left side elevation view thereof;  
FIG. 6 is a right side elevation view thereof;  
FIG. 7 is a top plan view thereof; and,  
FIG. 8 is a bottom plan view thereof.

**1 Claim, 8 Drawing Sheets**



(56)

**References Cited**

U.S. PATENT DOCUMENTS

2011/0253757 A1\* 10/2011 May, Jr. .... A45F 3/08  
224/268  
2012/0199714 A1\* 8/2012 Rinaldo ..... F16B 45/00  
248/304  
2015/0150389 A1\* 6/2015 Nilsson ..... A47F 5/0823  
248/220.42

\* cited by examiner

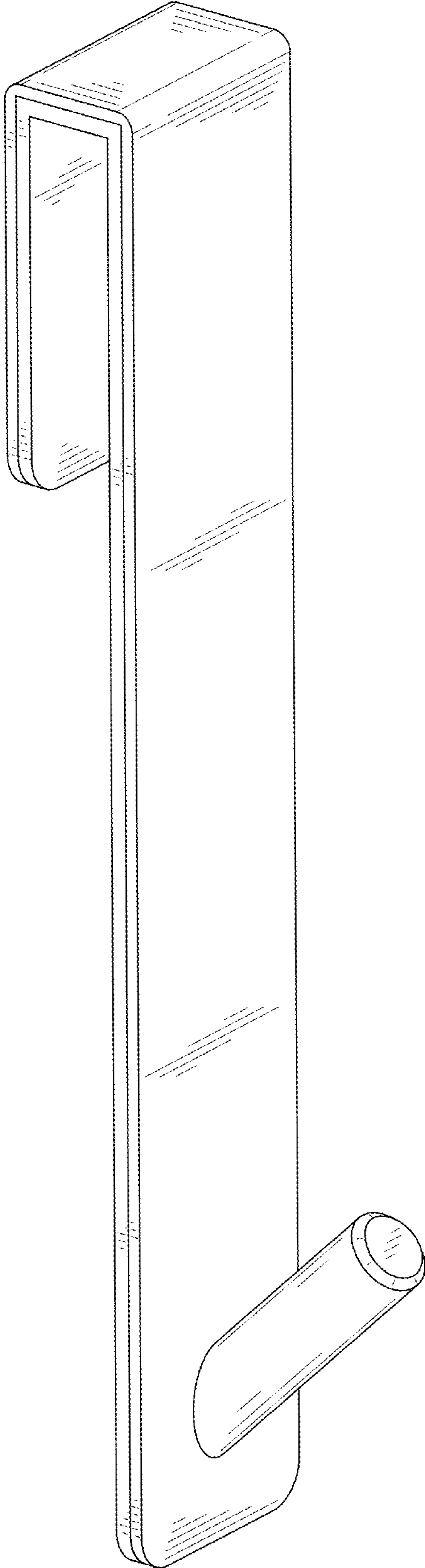


FIG. 1

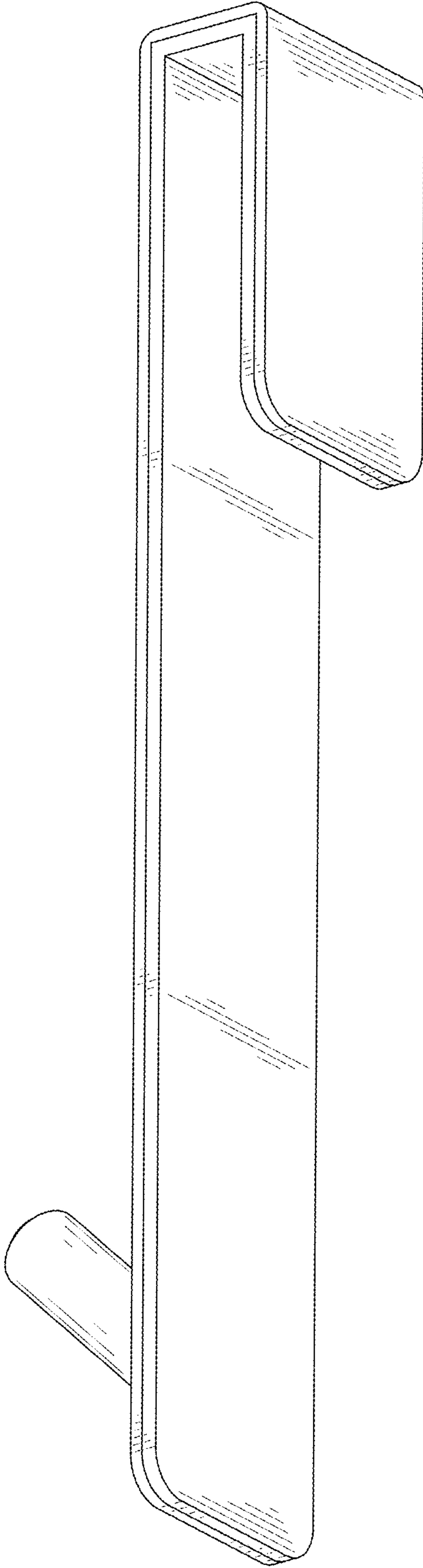


FIG. 2

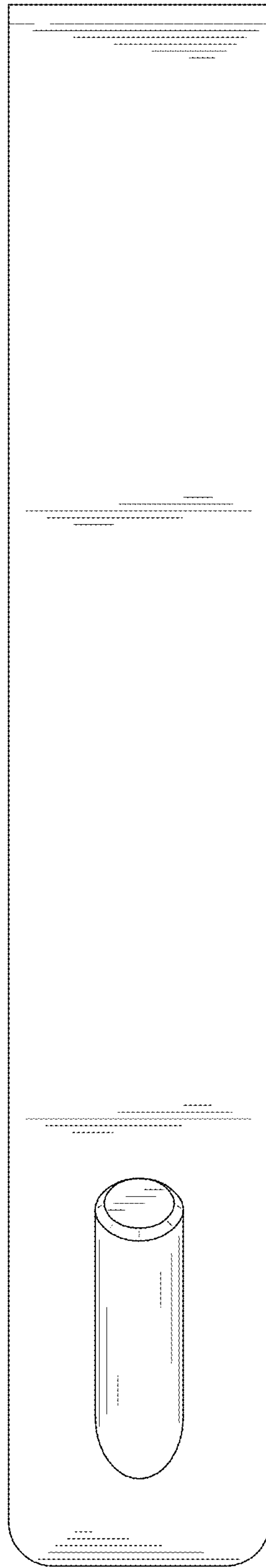


FIG. 3

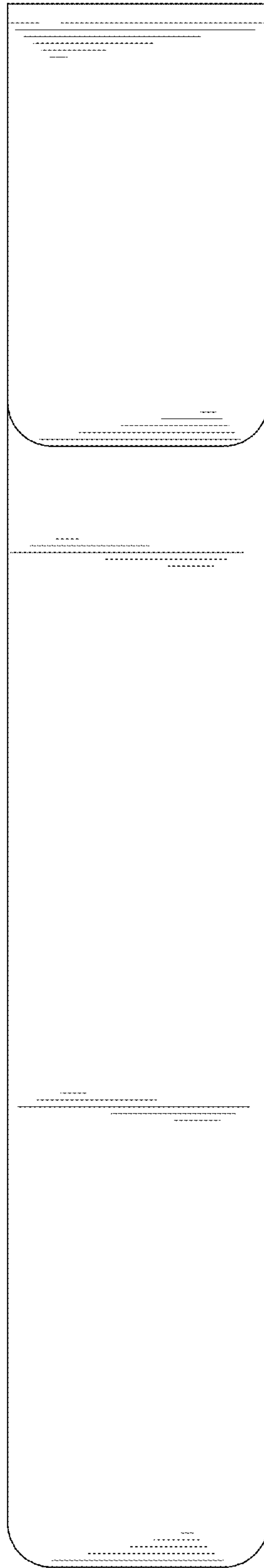


FIG. 4

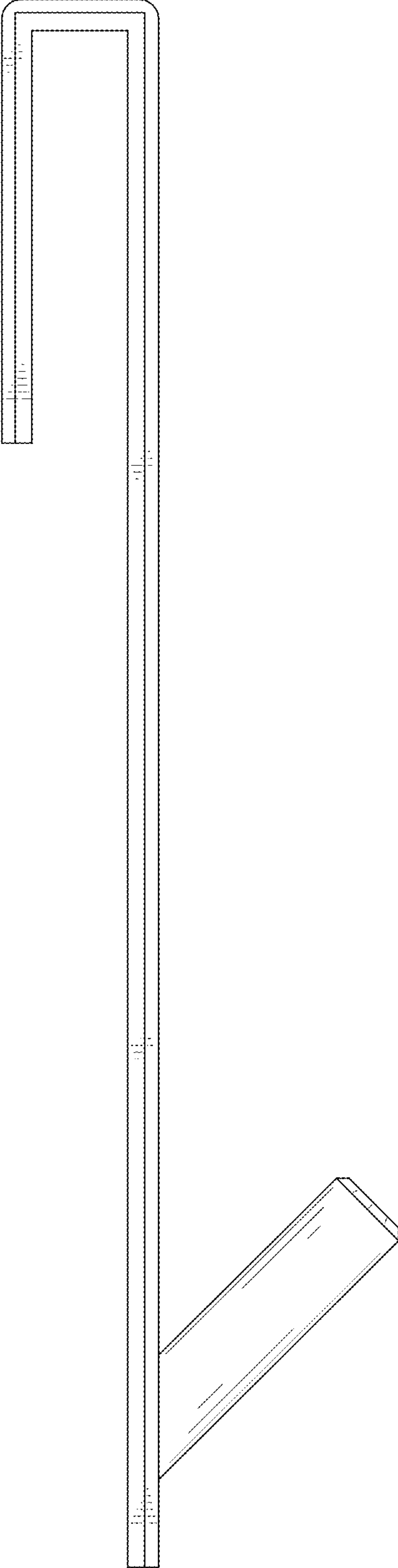


FIG. 5

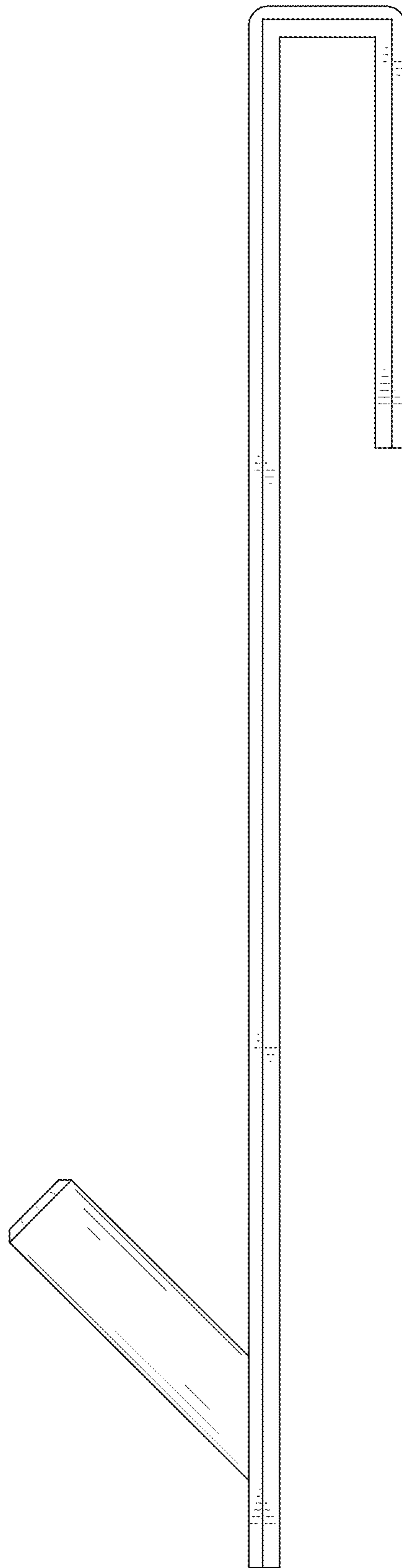


FIG. 6



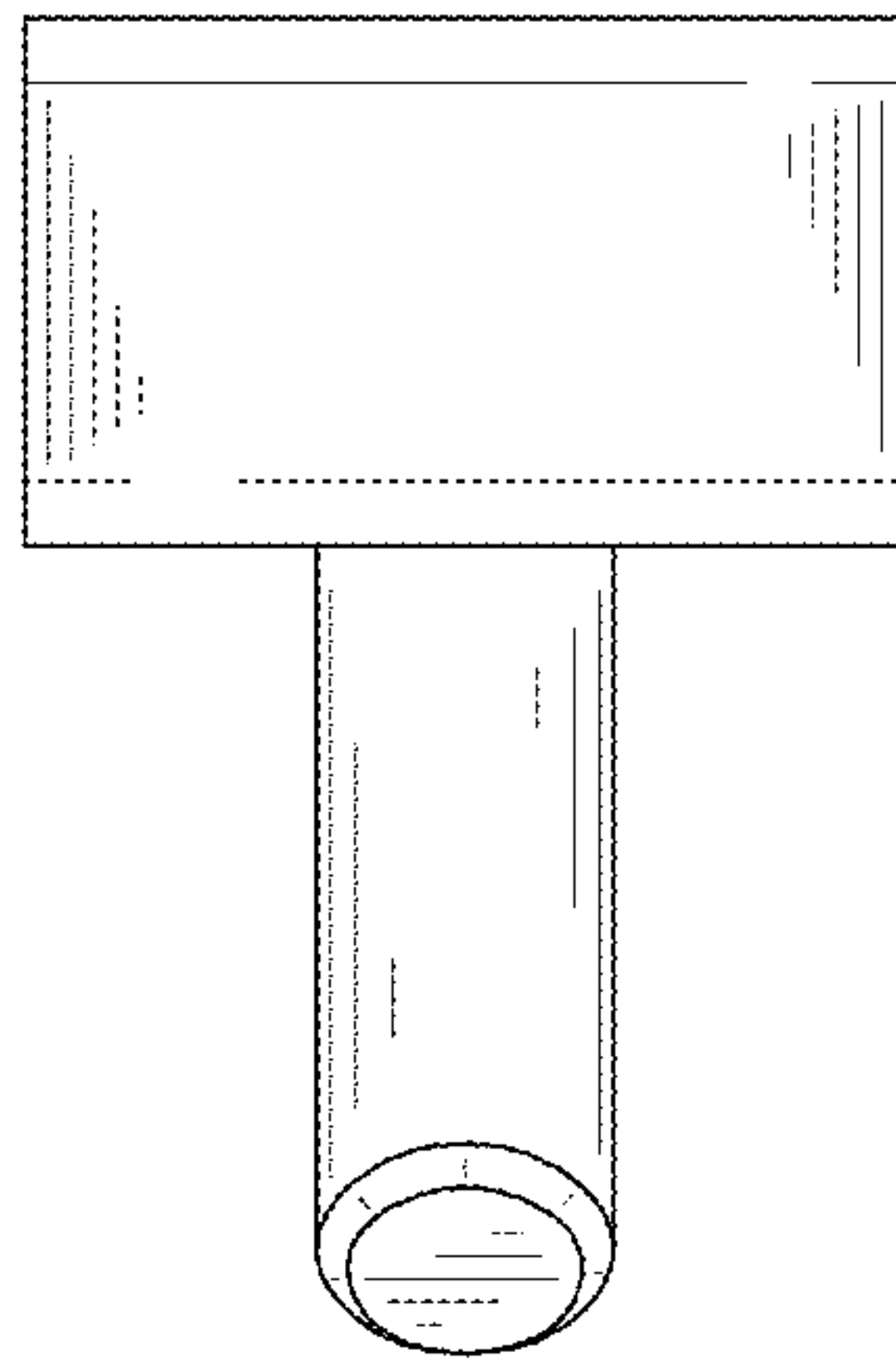


FIG. 7

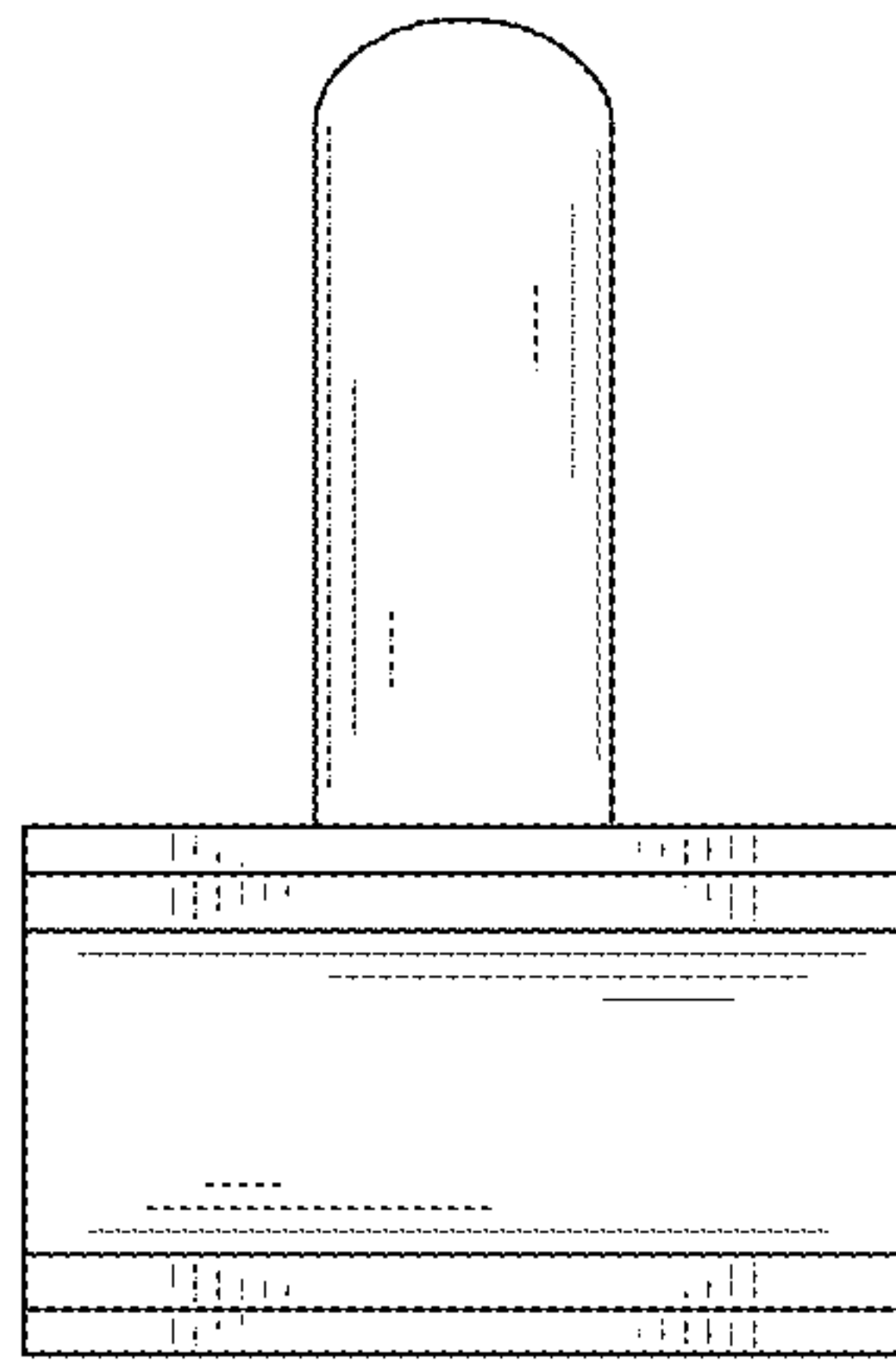


FIG. 8