



US00D966869S

(12) **United States Design Patent** (10) **Patent No.:** **US D966,869 S**
Su (45) **Date of Patent:** **** Oct. 18, 2022**

(54) **WALL HOOK**
(71) Applicant: **Zhanglin Su**, Huazhou (CN)
(72) Inventor: **Zhanglin Su**, Huazhou (CN)
(**) Term: **15 Years**
(21) Appl. No.: **29/792,924**
(22) Filed: **Apr. 29, 2022**
(51) **LOC (13) Cl.** **08-11**
(52) **U.S. Cl.**
USPC **D8/367**
(58) **Field of Classification Search**
USPC D8/367, 354, 349, 356; D12/162;
224/248, 268, 904; 248/62
CPC A47G 29/083; F16B 45/00; A63B 21/0557
See application file for complete search history.

D769,702 S * 10/2016 Kuniyoshi D8/367
D801,155 S * 10/2017 Kuniyoshi D8/367
D813,656 S * 3/2018 Kremer et al.
D821,184 S * 6/2018 Berger D8/367
D839,721 S * 2/2019 Downey D8/367
D842,209 S * 3/2019 Chiang D12/213
D872,567 S * 1/2020 Bond et al.
10,625,976 B2 * 4/2020 Forsythe B65H 57/26
D918,574 S * 5/2021 Kumria D3/215
D924,035 S * 7/2021 Lazarini D8/307
D936,464 S * 11/2021 Carlino D8/367
D941,663 S * 1/2022 Lazarini D8/367

* cited by examiner

Primary Examiner — Cynthia R Underwood

(57) **CLAIM**

The ornamental design for a wall hook, as shown and described.

DESCRIPTION

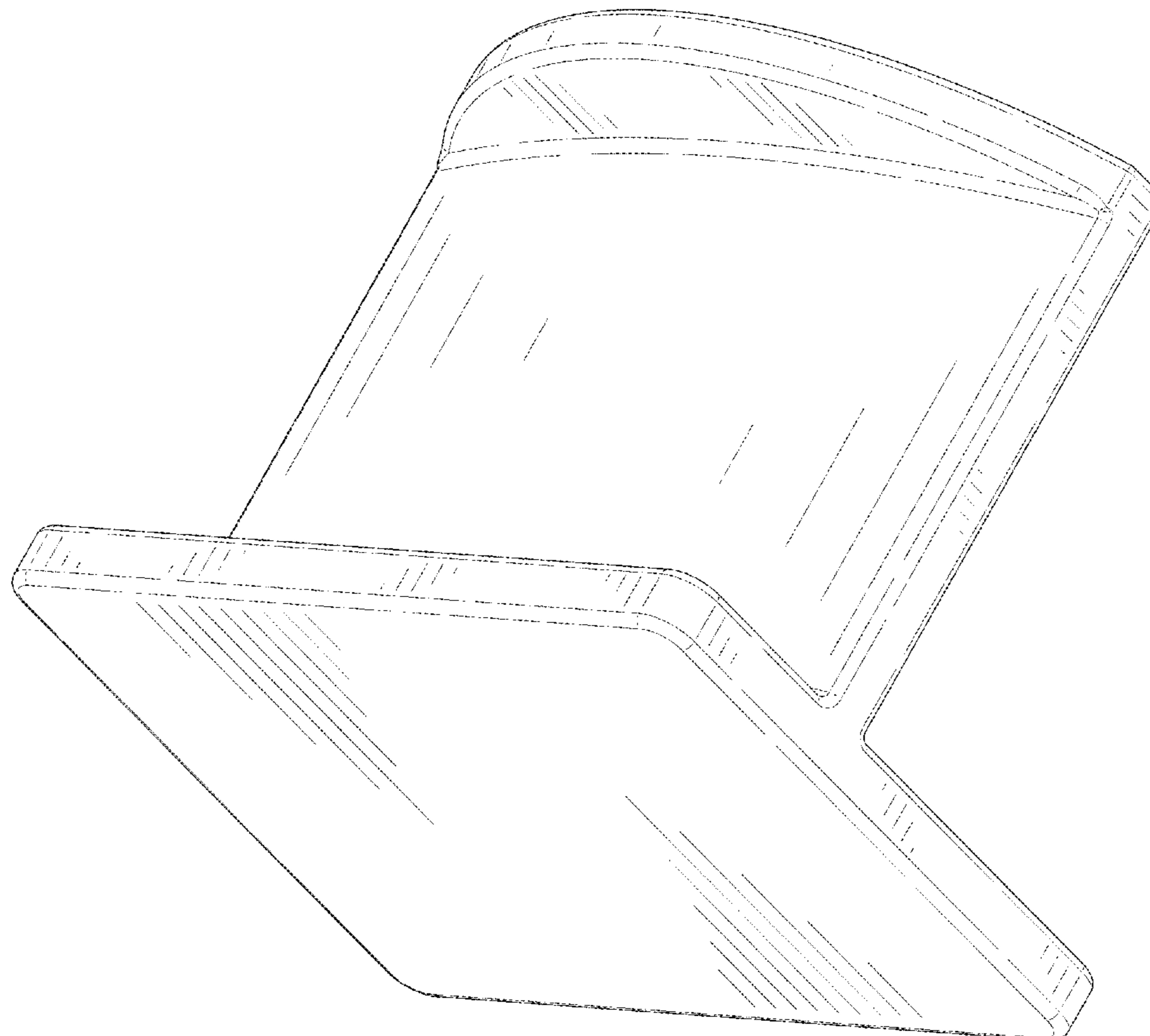
FIG. 1 is a perspective view of a wall hook showing my new design;
FIG. 2 is another perspective view thereof;
FIG. 3 is a front elevational view thereof;
FIG. 4 is a rear elevational view thereof;
FIG. 5 is a left side elevational view thereof;
FIG. 6 is a right side elevational view thereof;
FIG. 7 is a top plan view thereof; and,
FIG. 8 is a bottom plan view thereof.

1 Claim, 8 Drawing Sheets

(56) **References Cited**

U.S. PATENT DOCUMENTS

D234,283 S * 2/1975 Rockliff et al. D8/367
D442,073 S * 5/2001 Lyndon D8/358
D505,613 S * 5/2005 Sato D8/367
D596,930 S * 7/2009 Gaudron D8/367
D639,147 S * 6/2011 Surles D8/356
D680,783 S * 4/2013 Chang D6/550
D680,804 S * 4/2013 Gilboe D7/367
D697,388 S * 1/2014 Pan D8/367



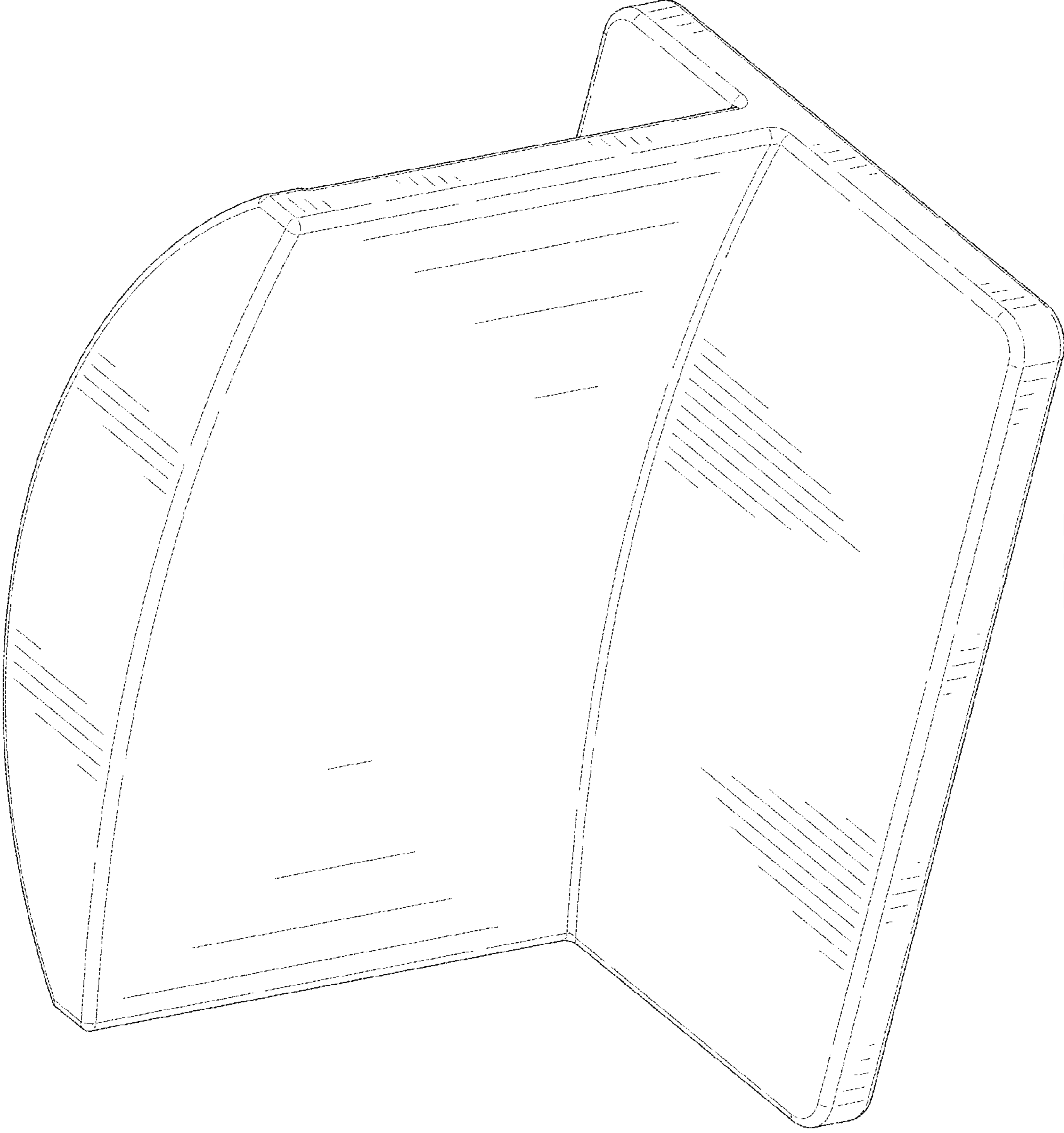


FIG. 1

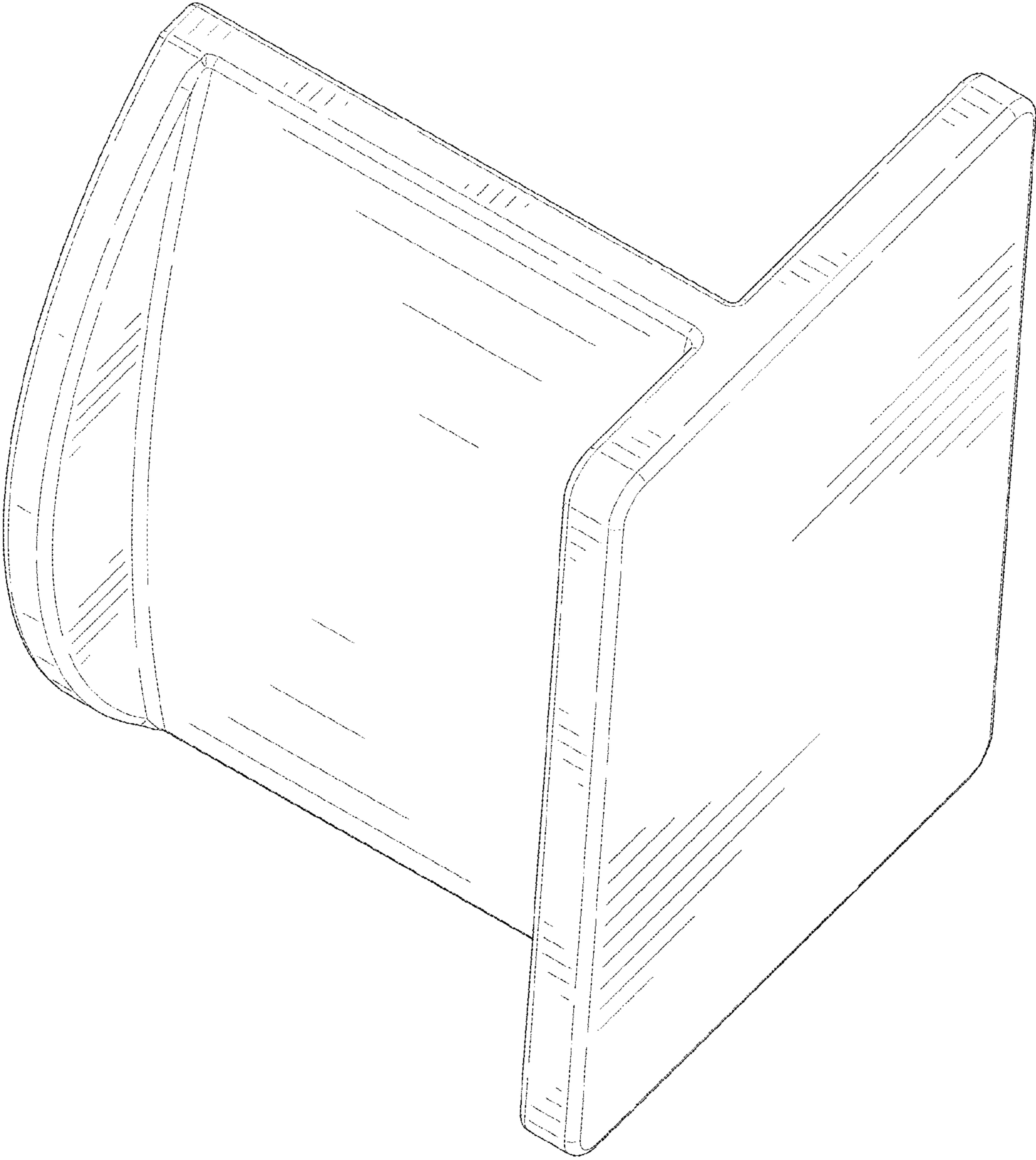


FIG. 2

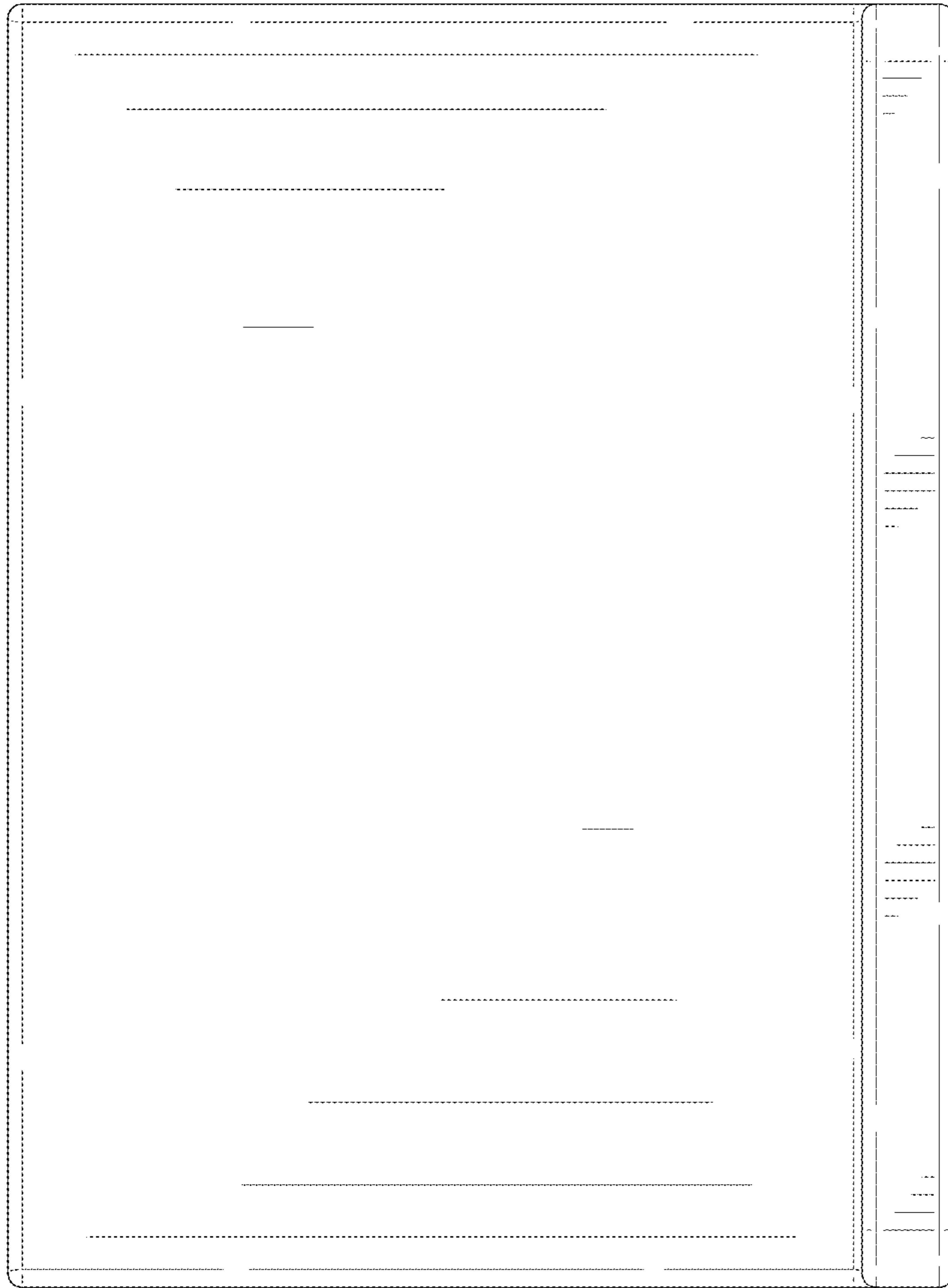


FIG. 3

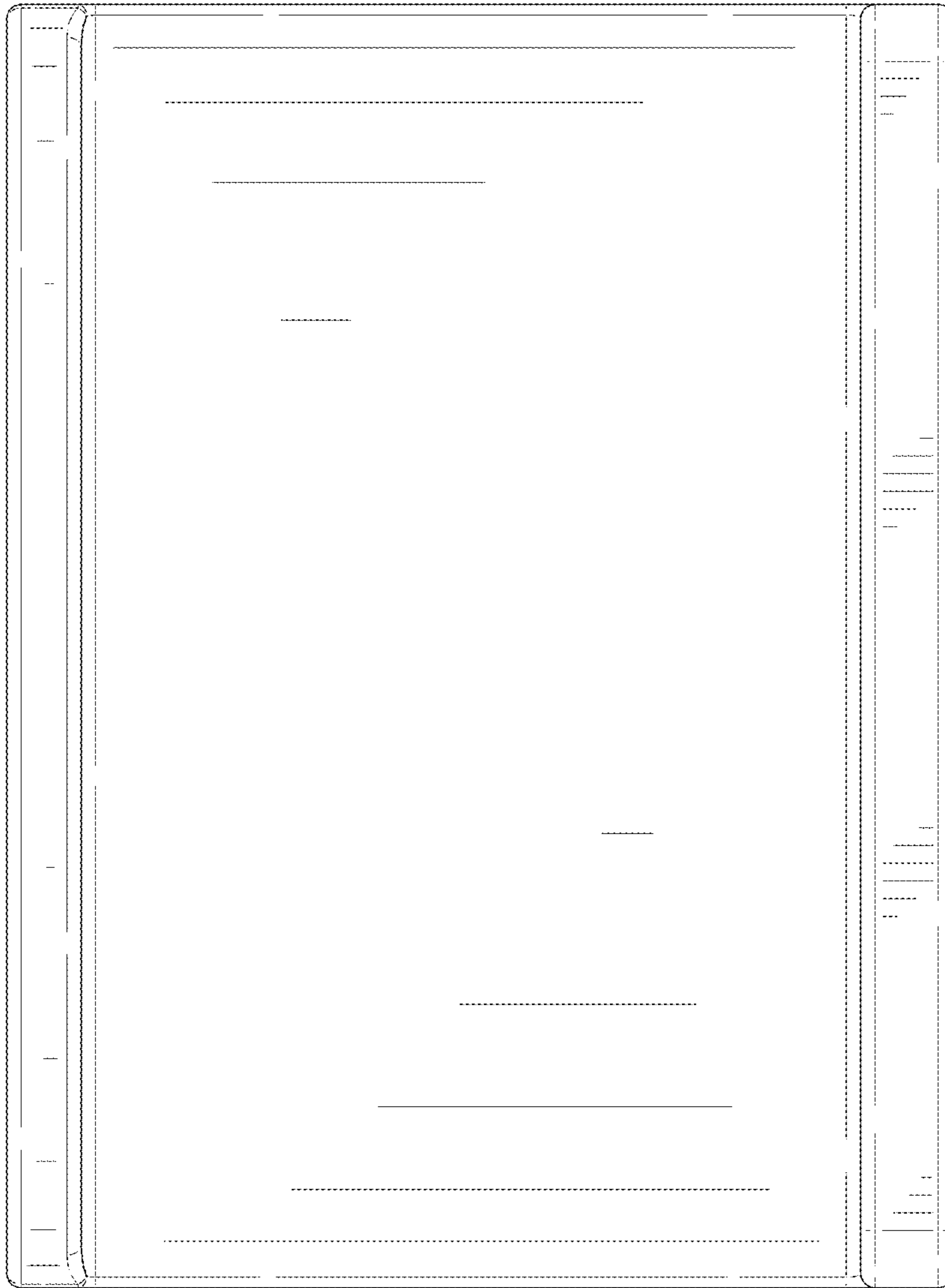


FIG. 4

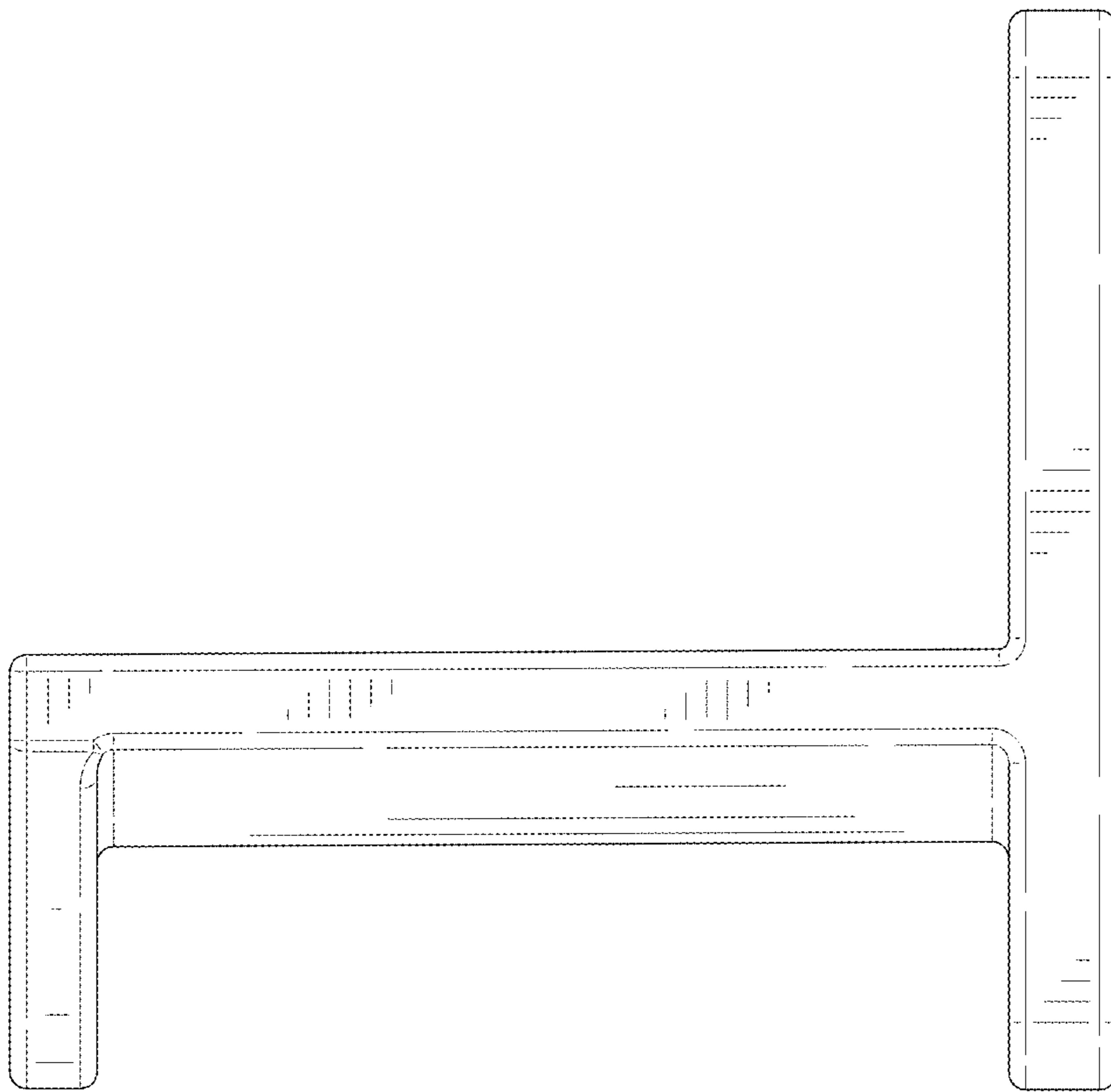


FIG. 5

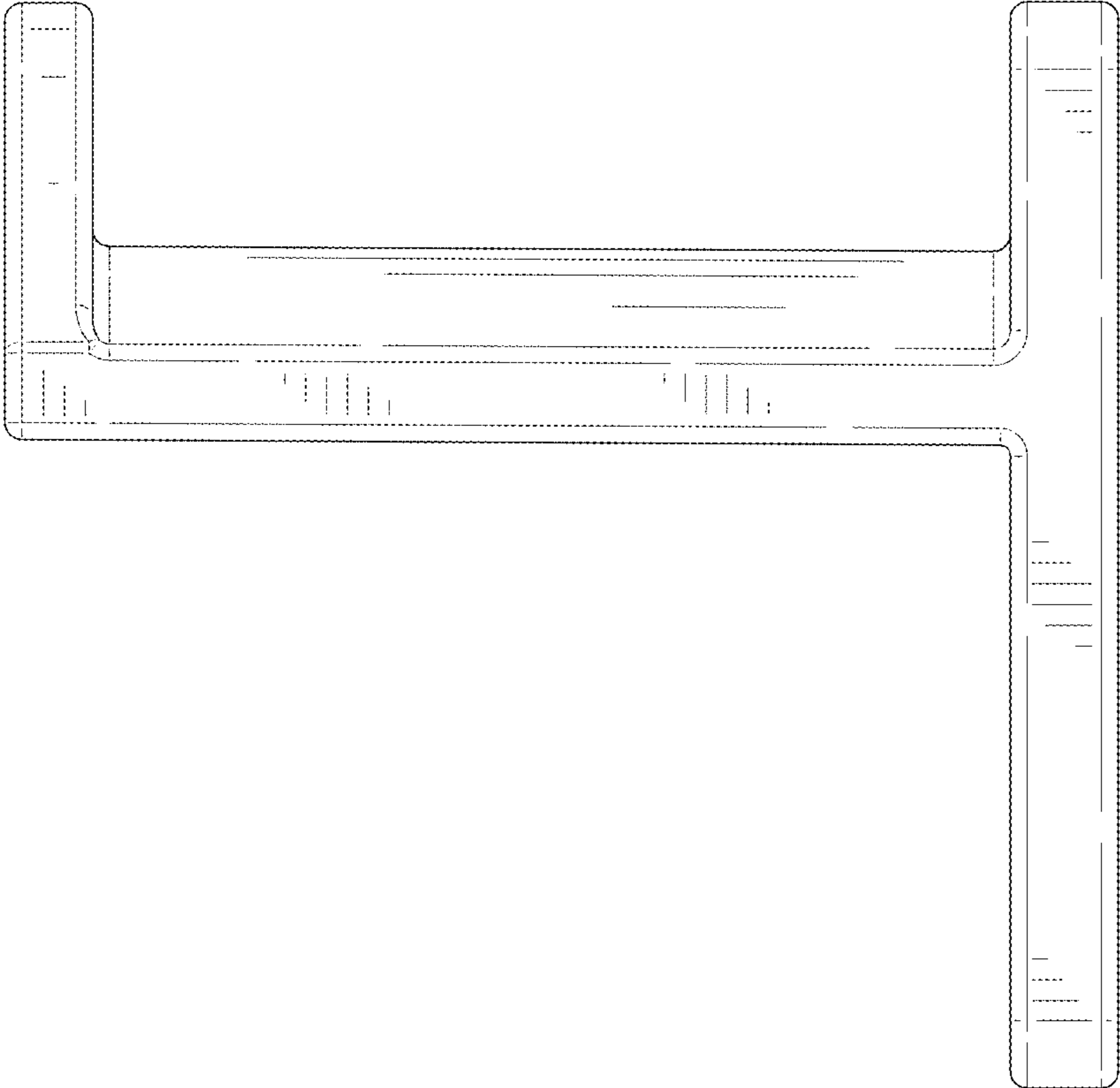


FIG. 6

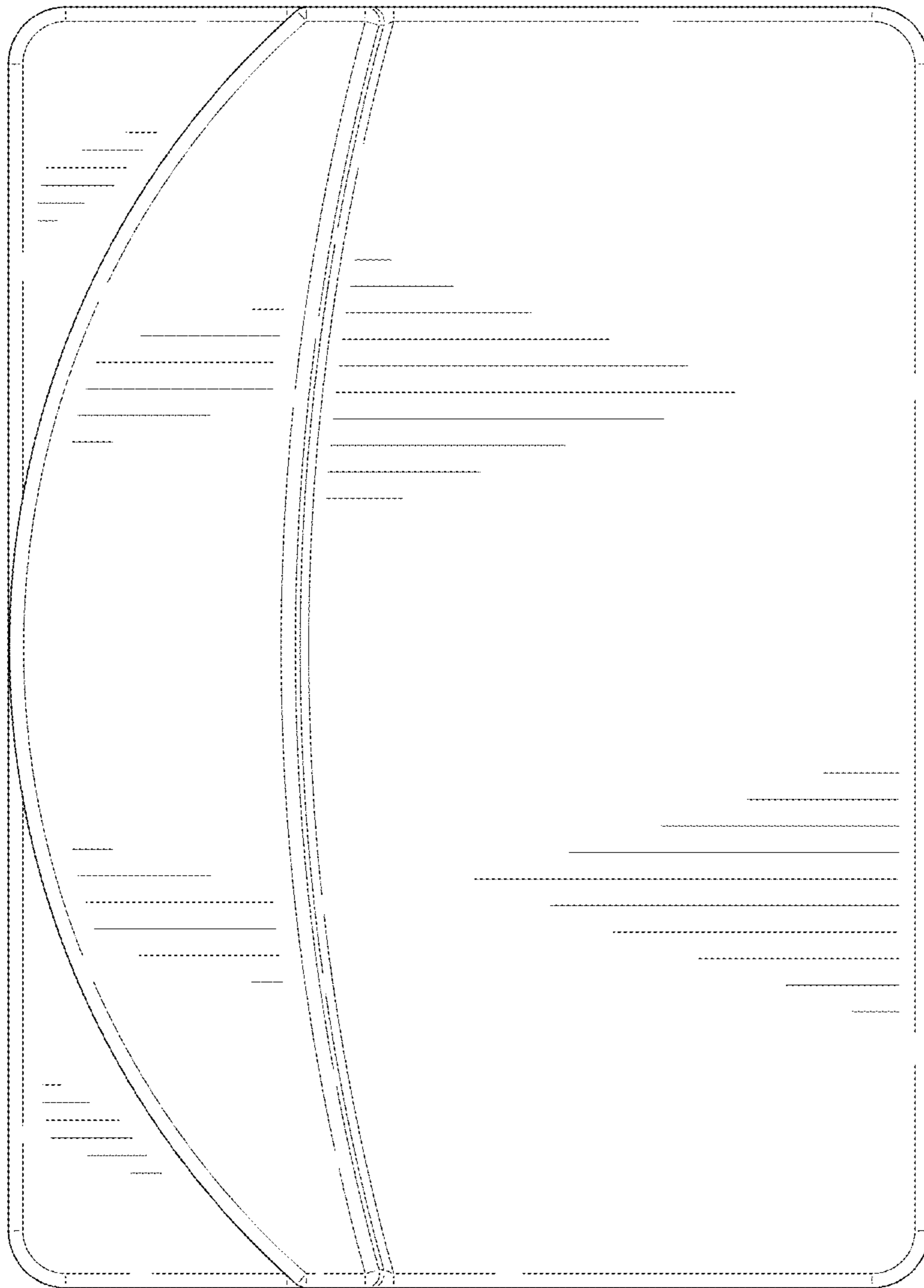


FIG. 7

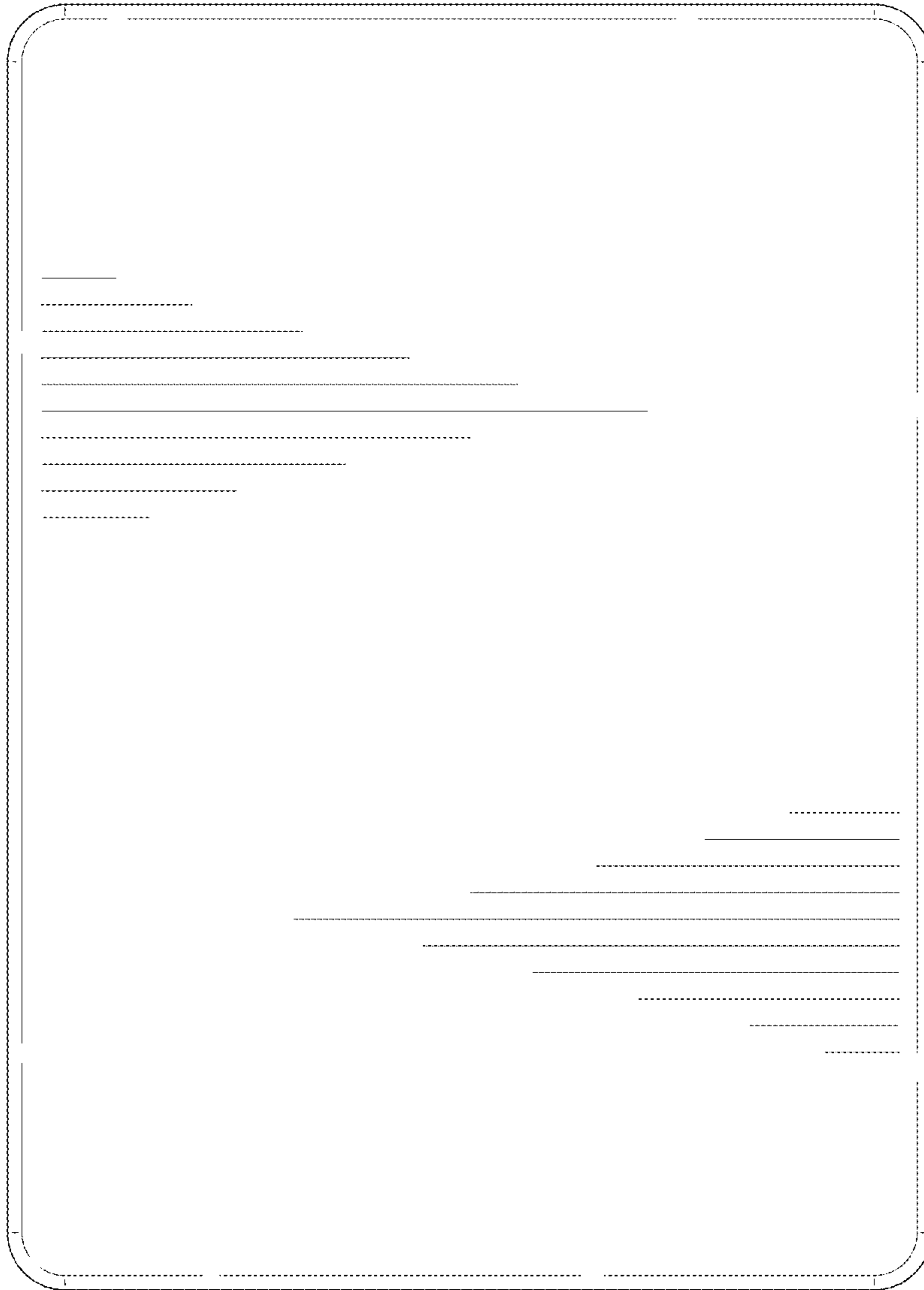


FIG. 8