

US00D966867S

(12) **United States Design Patent** (10) **Patent No.:** **US D966,867 S**
Smith (45) **Date of Patent:** **** Oct. 18, 2022**

(54) **MOUNTING BRACKET**

(71) Applicant: **Firestone Industrial Products Company, LLC, Nashville, TN (US)**

(72) Inventor: **Scott A. Smith, Brownsburg, IN (US)**

(73) Assignee: **Firestone Industrial Products Company, LLC, Nashville, TN (US)**

(**) Term: **15 Years**

(21) Appl. No.: **29/726,242**

(22) Filed: **Mar. 2, 2020**

(51) **LOC (13) Cl.** **08-05**

(52) **U.S. Cl.**
USPC **D8/354**

(58) **Field of Classification Search**
USPC D8/354, 349, 353, 366, 371, 373
CPC F16B 45/00; F16M 13/02; H01R 13/73;
H01R 24/62

See application file for complete search history.

(56) **References Cited**

U.S. PATENT DOCUMENTS

D634,254 S *	3/2011	Marlow	D12/223
D649,016 S *	11/2011	Rasmussen	D8/354
D654,350 S *	2/2012	Preda	D8/354
D655,149 S *	3/2012	Dotsey	D8/354
D667,718 S *	9/2012	Preda	D8/354
D753,987 S *	4/2016	Bernstein	D8/367
9,649,906 B2 *	5/2017	Myers	B60G 11/465
D836,421 S *	12/2018	Luscombe	D8/354
D863,040 S *	10/2019	DeDios-Shirley	D8/354
D869,936 S *	12/2019	Smith	D8/349
D902,013 S *	11/2020	Porter	D8/354
D902,701 S *	11/2020	Smith	D8/366

D902,702 S *	11/2020	Smith	D8/366
D913,525 S *	3/2021	Xuwei	D25/38.1
D945,857 S *	3/2022	Smith	D8/354
2020/0003274 A1 *	1/2020	Malin	F16M 13/02

* cited by examiner

Primary Examiner — Keli L Hill

Assistant Examiner — Harold E Blackwell, II

(74) *Attorney, Agent, or Firm* — Thomas R. Kingsbury; Matthew P. Dugan

(57) **CLAIM**

The ornamental design for a mounting bracket, as shown and described.

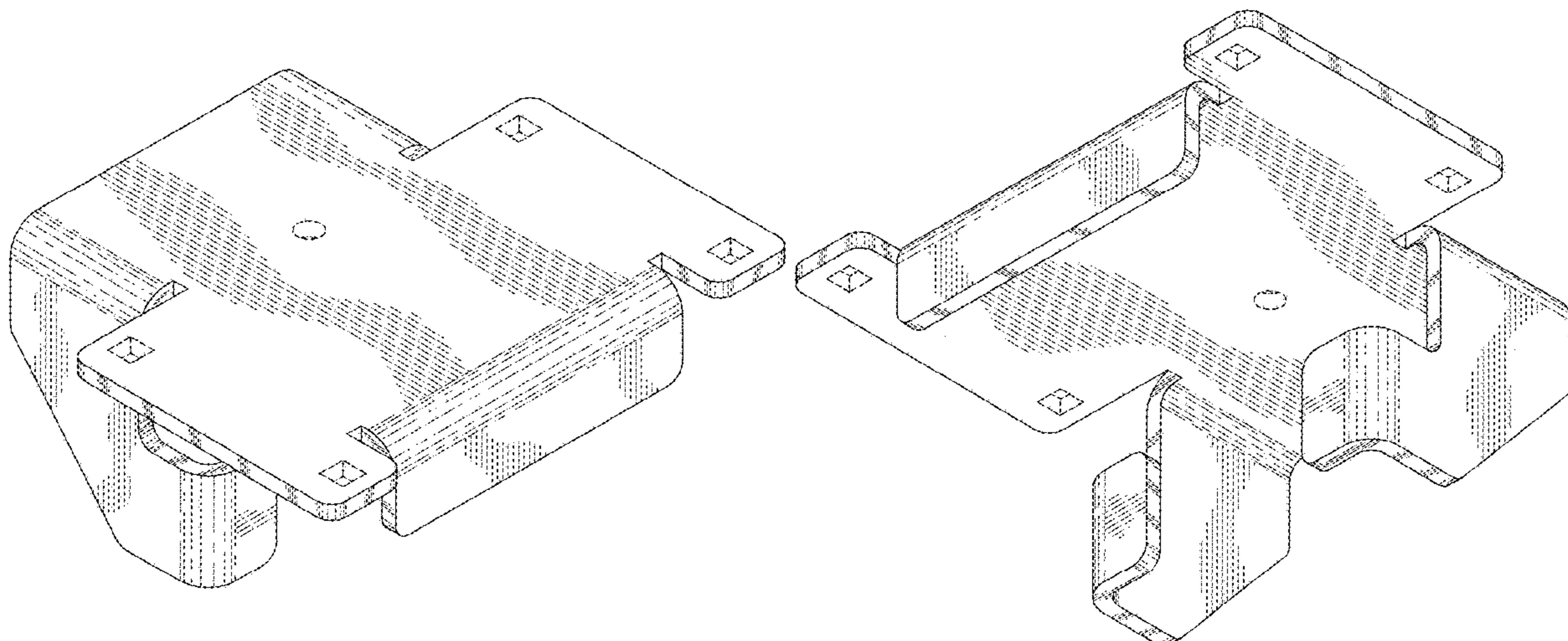
DESCRIPTION

FIG. 1 is a top perspective view of a mounting bracket illustrating my new design;
FIG. 2 is a bottom perspective view thereof;
FIG. 3 is a front elevation view thereof;
FIG. 4 is a rear elevation view thereof;
FIG. 5 is a top plan view thereof;
FIG. 6 is a bottom plan view thereof;
FIG. 7 is a left side elevation view thereof; and,
FIG. 8 is a right side elevation view thereof.

Dashed lines in FIGS. 1, 2, 5 and 6 illustrate unclaimed apertures of the mounting bracket and form no part of the claimed design.

As indicated in the title, the article of manufacture to which the ornamental design has been applied is a mounting bracket. As non-limiting examples, such mounting brackets can be found integrated in and/or otherwise coupled to vehicles, industrial machinery, commercial equipment and/or consumer products, such as in use as a gas spring mounting bracket, for example.

1 Claim, 8 Drawing Sheets



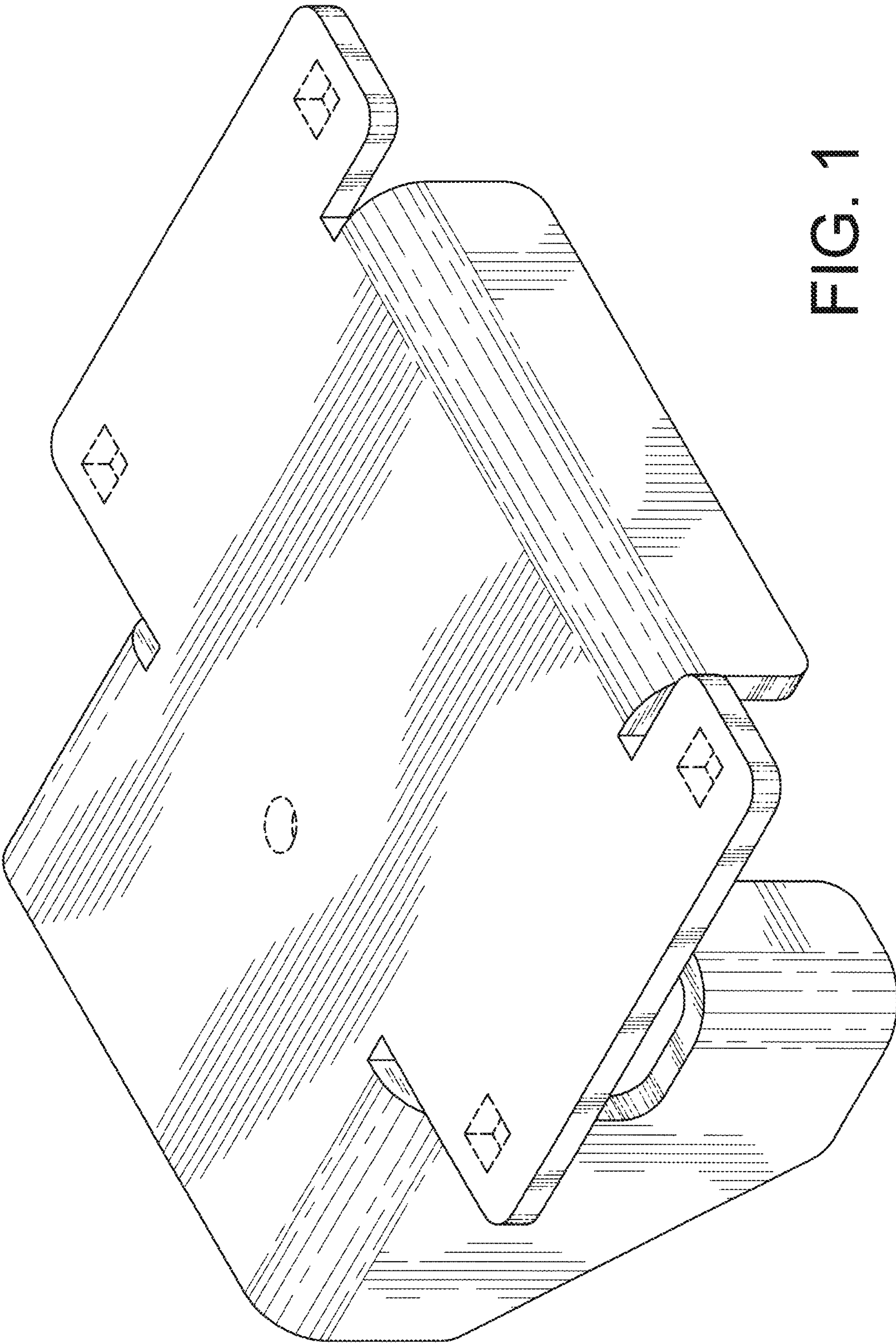


FIG. 1

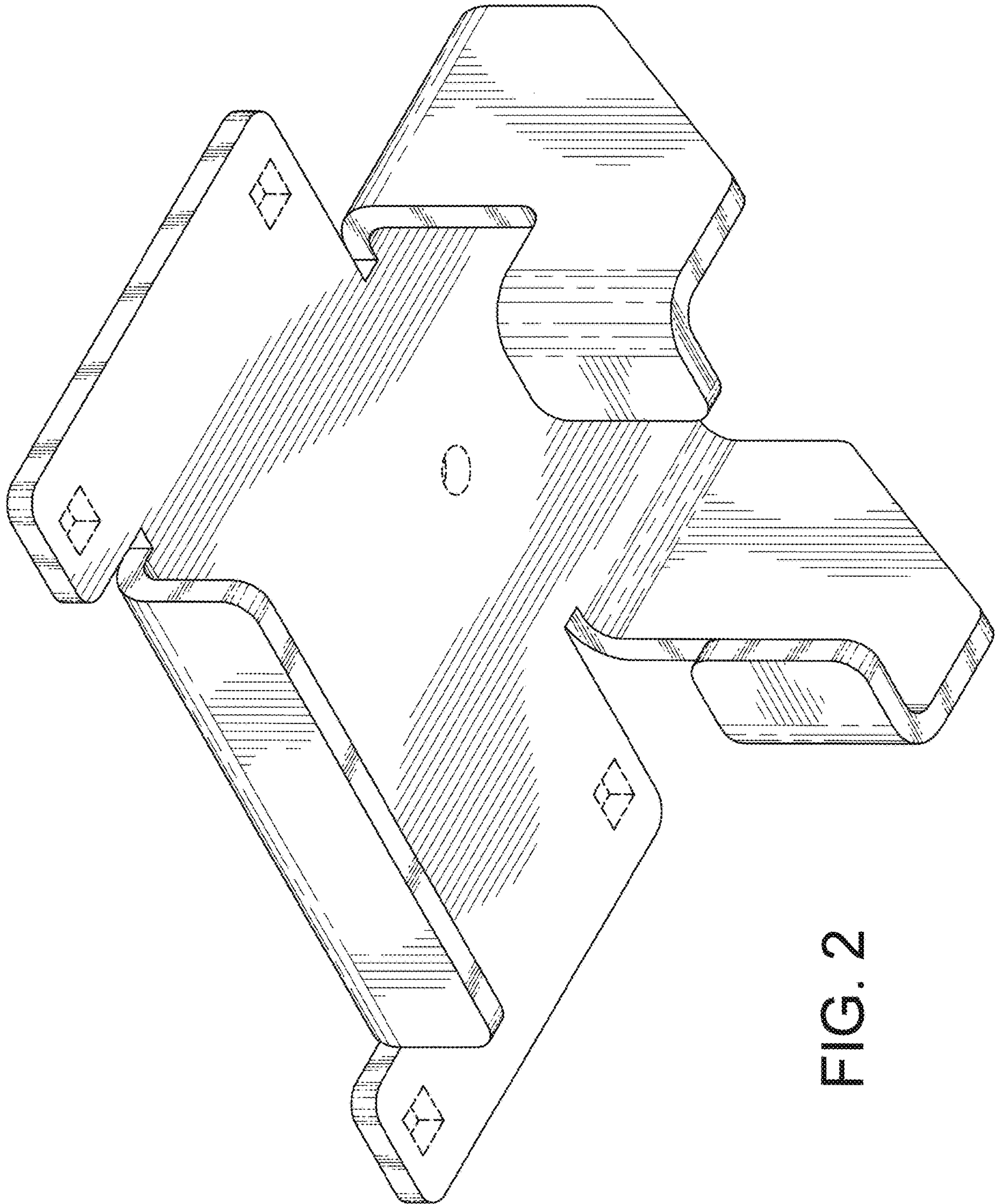


FIG. 2

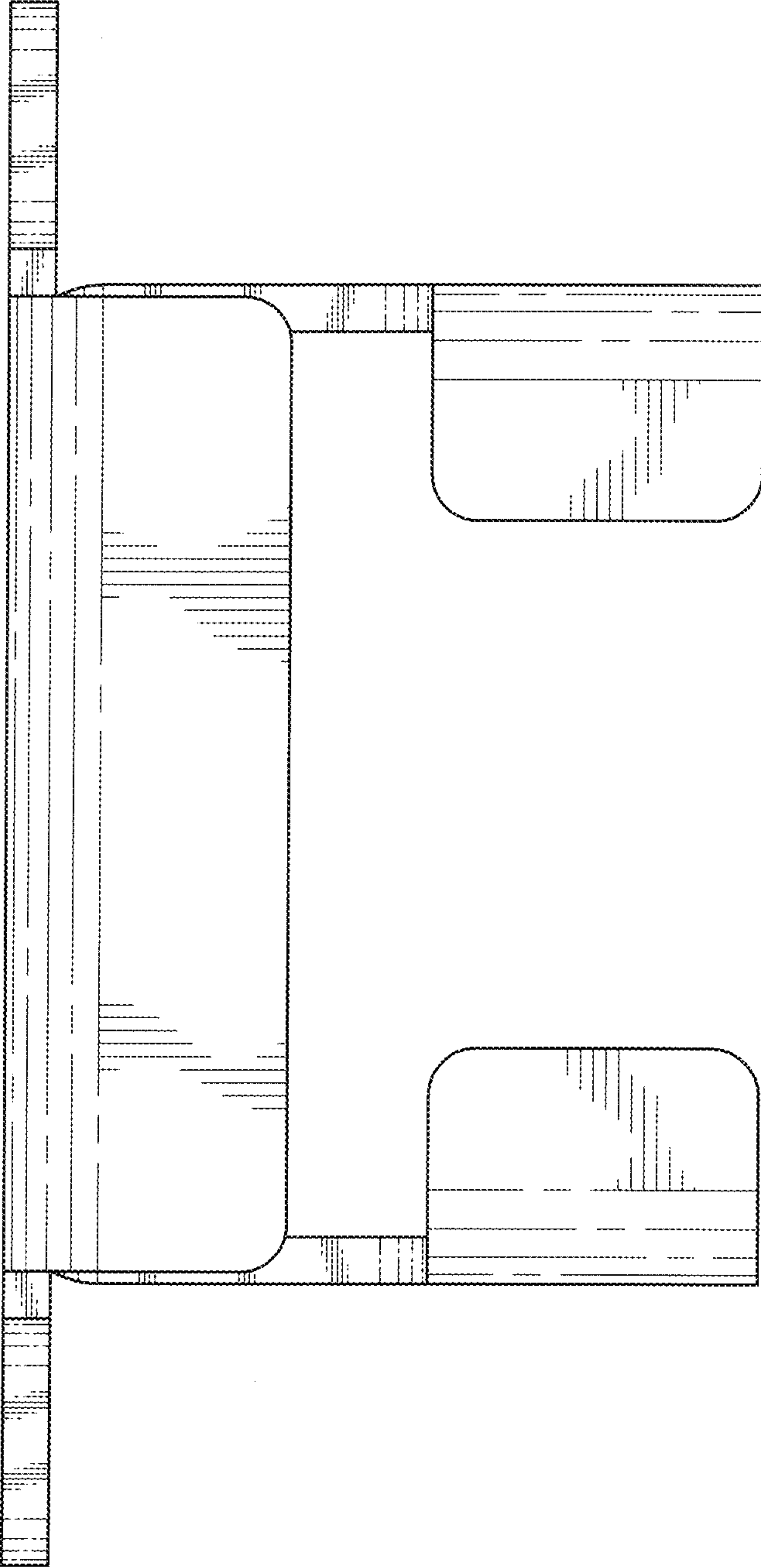


FIG. 3

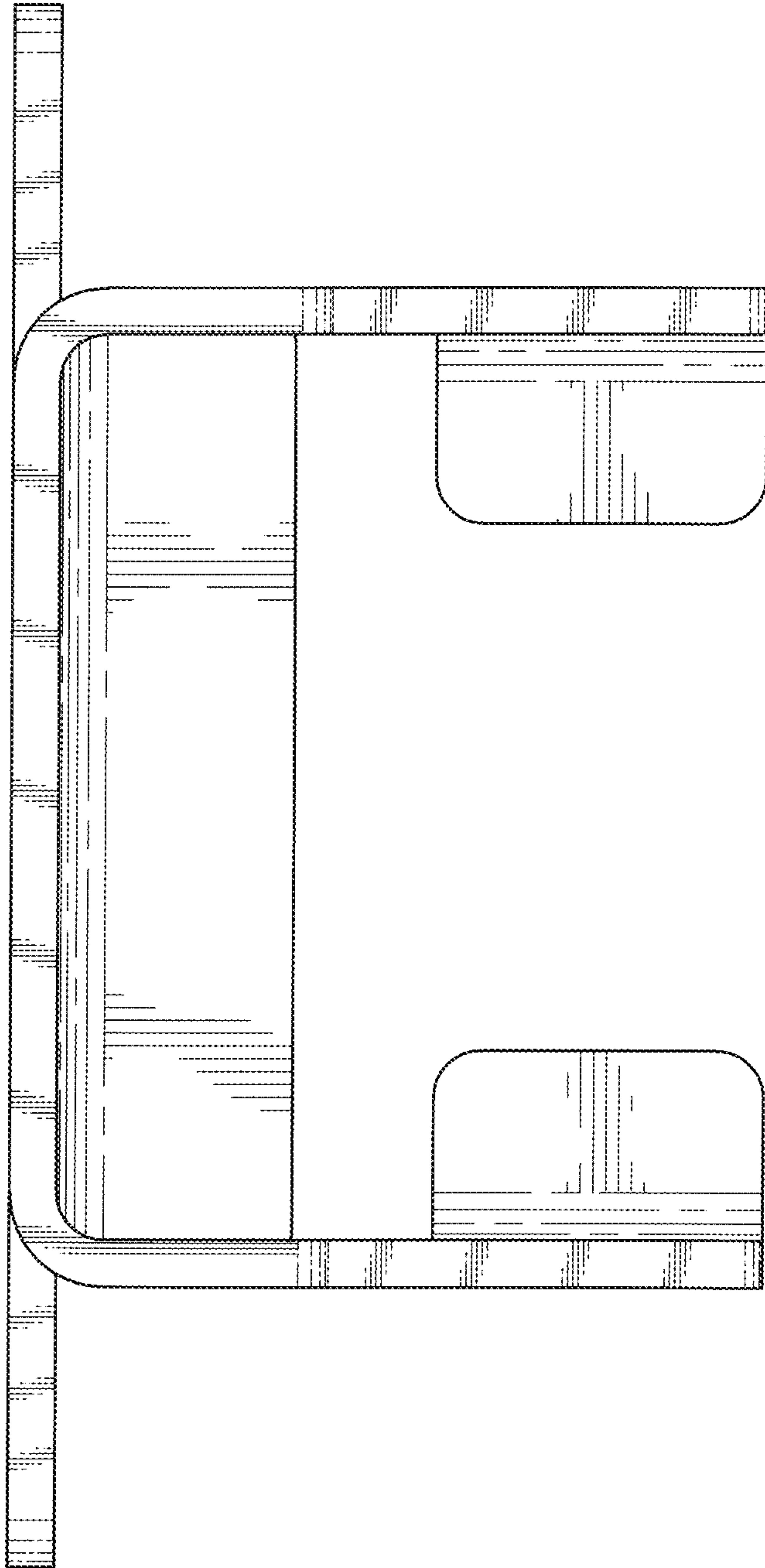


FIG. 4

FIG. 5

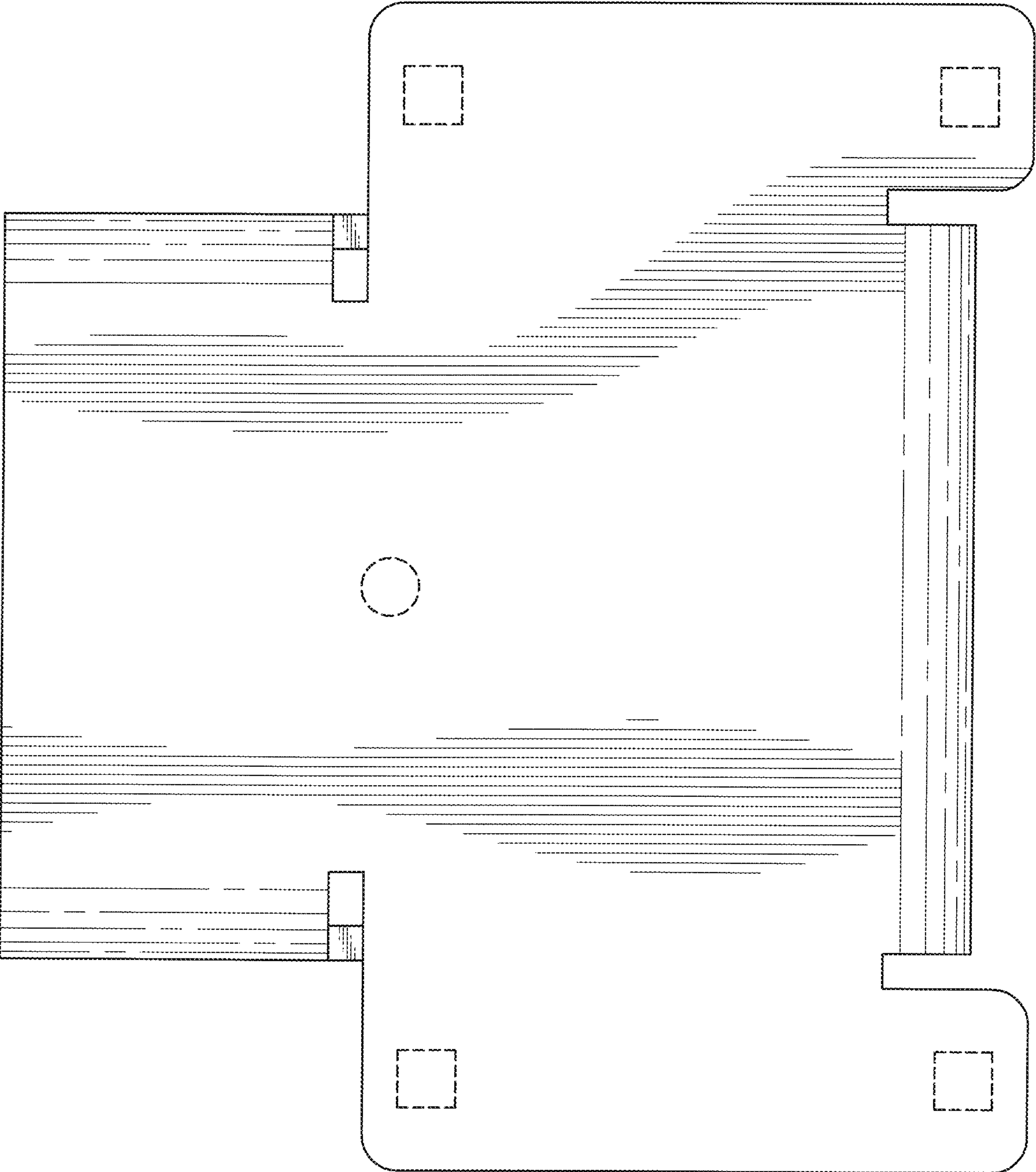
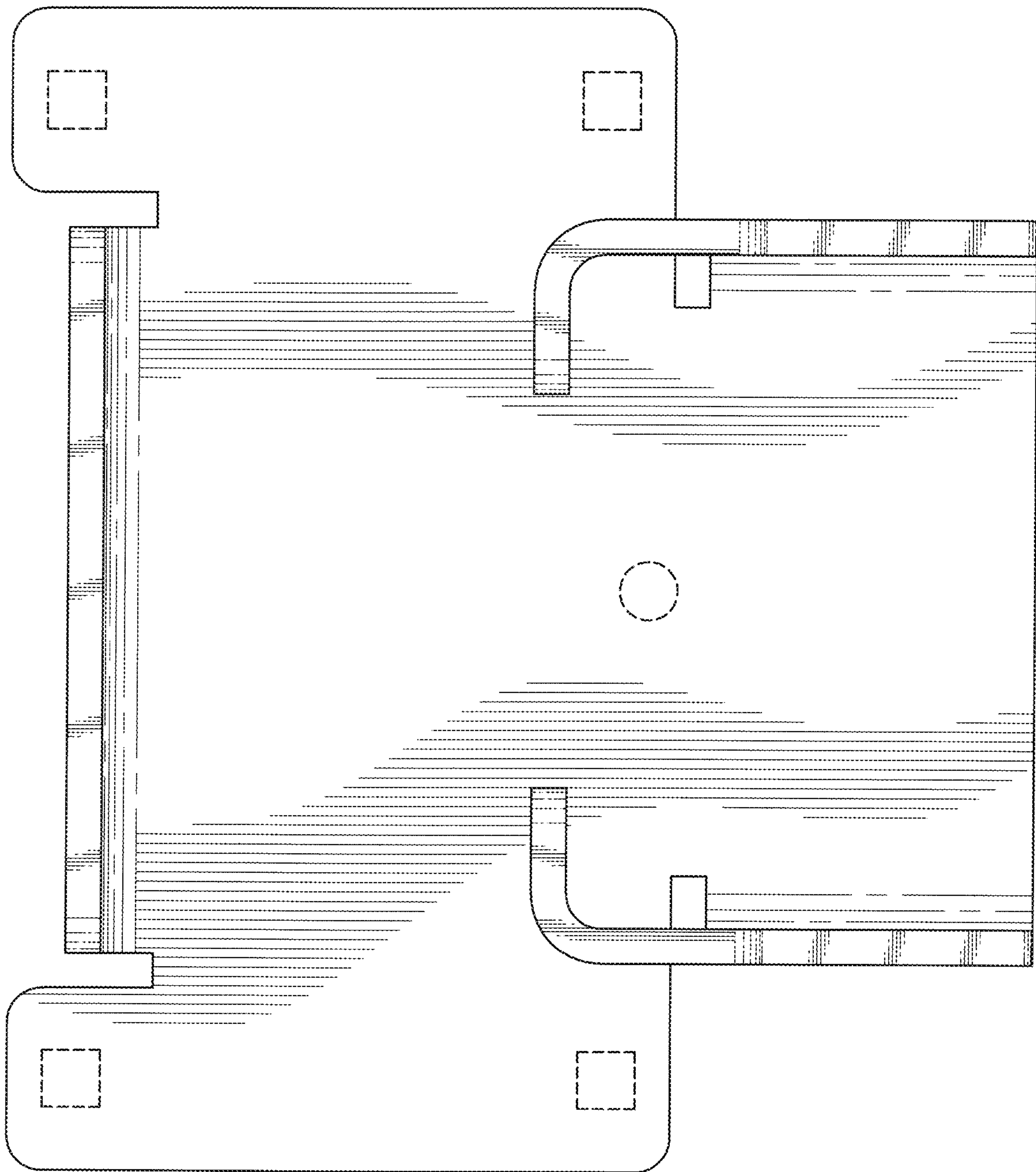


FIG. 6



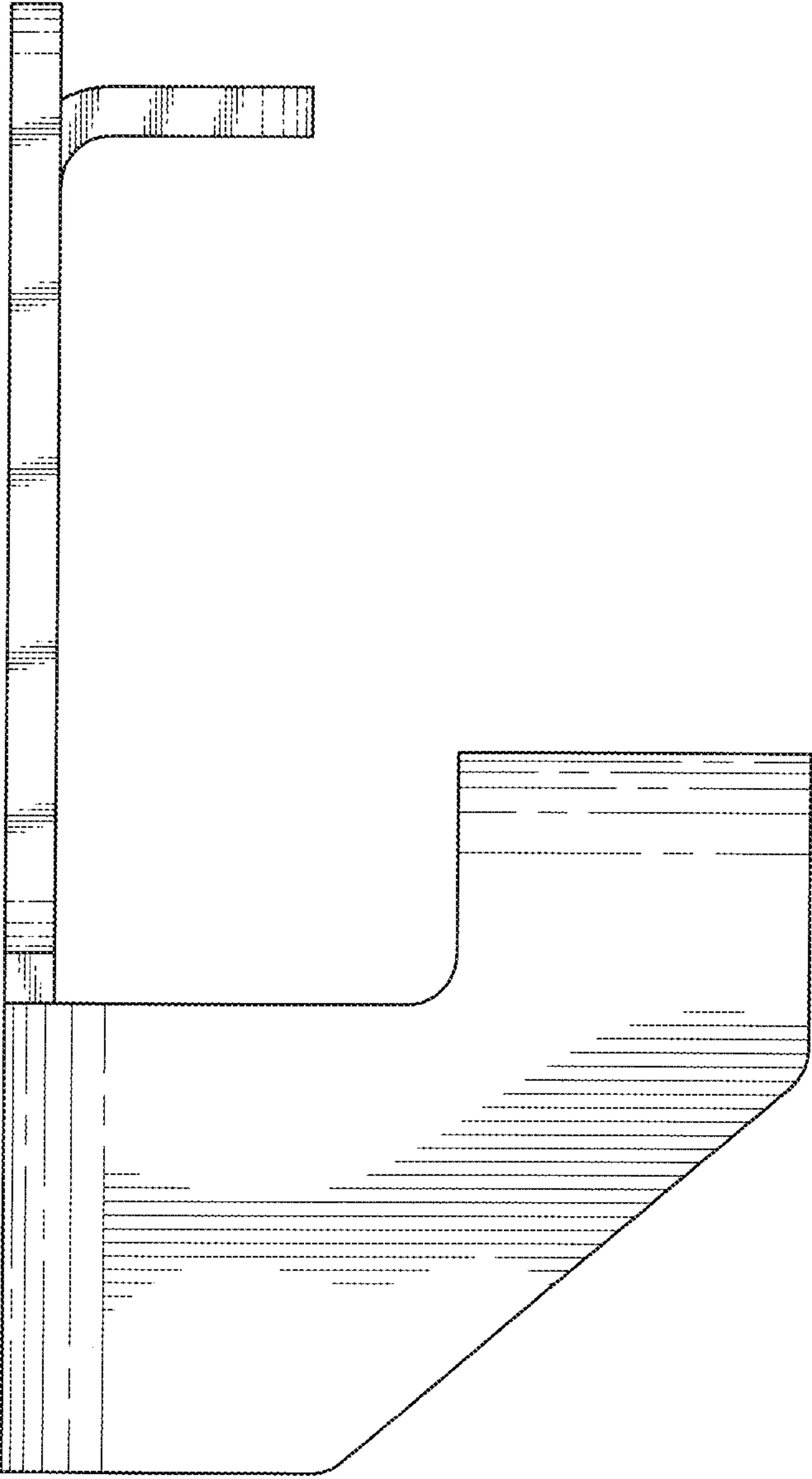


FIG. 7

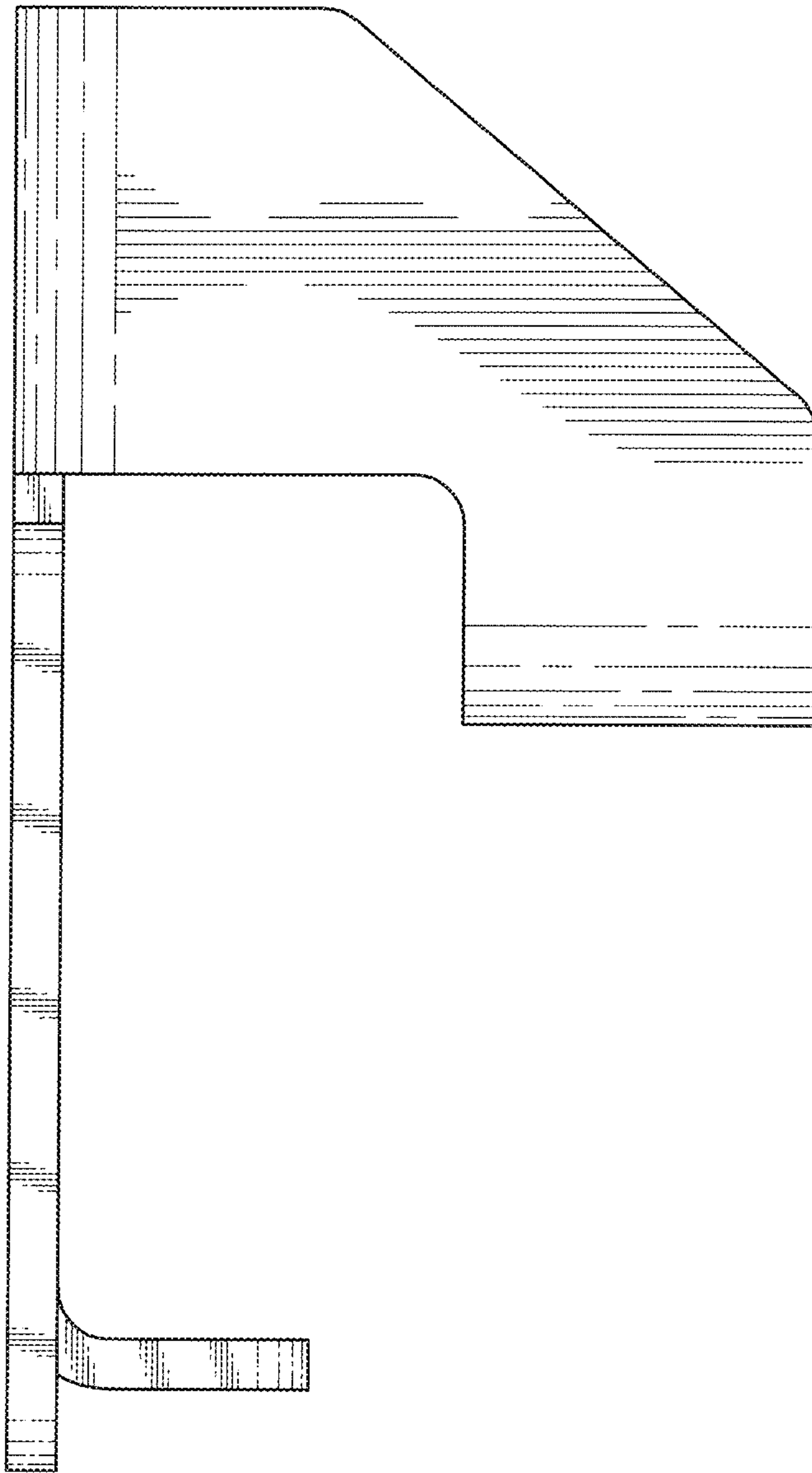


FIG. 8